



US00D640406S

(12) **United States Design Patent**  
**Harshaw**

(10) **Patent No.:** **US D640,406 S**

(45) **Date of Patent:** **\*\* Jun. 21, 2011**

(54) **SOLAR FLAG POLE LIGHT**

(76) Inventor: **Bobby F. Harshaw**, Ottawa, KS (US)

(\*\*) Term: **14 Years**

(21) Appl. No.: **29/379,263**

(22) Filed: **Nov. 17, 2010**

(51) **LOC (9) Cl.** ..... **26-05**

(52) **U.S. Cl.** ..... **D26/67**

(58) **Field of Classification Search** ..... D26/67-71,  
D26/85, 128-135; 362/102, 152, 153, 153.1,  
362/180, 183, 431, 653

See application file for complete search history.

(56) **References Cited**

**U.S. PATENT DOCUMENTS**

805,742	A *	11/1905	Mygatt	.....	362/334
D211,278	S *	6/1968	Bobrick	.....	D26/68
3,395,273	A *	7/1968	Wely	.....	362/334
D226,129	S *	1/1973	Donato	.....	D26/68
4,020,858	A *	5/1977	Wilson	.....	362/102
5,228,772	A *	7/1993	Mitchell et al.		
D394,724	S *	5/1998	Compton	.....	D26/67

5,896,712	A	4/1999	Chao		
D441,116	S *	4/2001	Sanoner	.....	D26/68
D459,020	S *	6/2002	Shen	.....	D26/125
D567,424	S *	4/2008	St-Pierre et al.	.....	D26/67
D590,086	S *	4/2009	Laporta	.....	D26/67
D591,885	S *	5/2009	Tortel	.....	D26/67

\* cited by examiner

*Primary Examiner* — Clare E Heflin

(74) *Attorney, Agent, or Firm* — Dale J. Ream

(57) **CLAIM**

The ornamental design for a solar flag pole light, as shown and described.

**DESCRIPTION**

FIG. 1 is a perspective view of a solar flag pole light showing my new design;

FIG. 2 is a front view thereof;

FIG. 3 is a back view thereof;

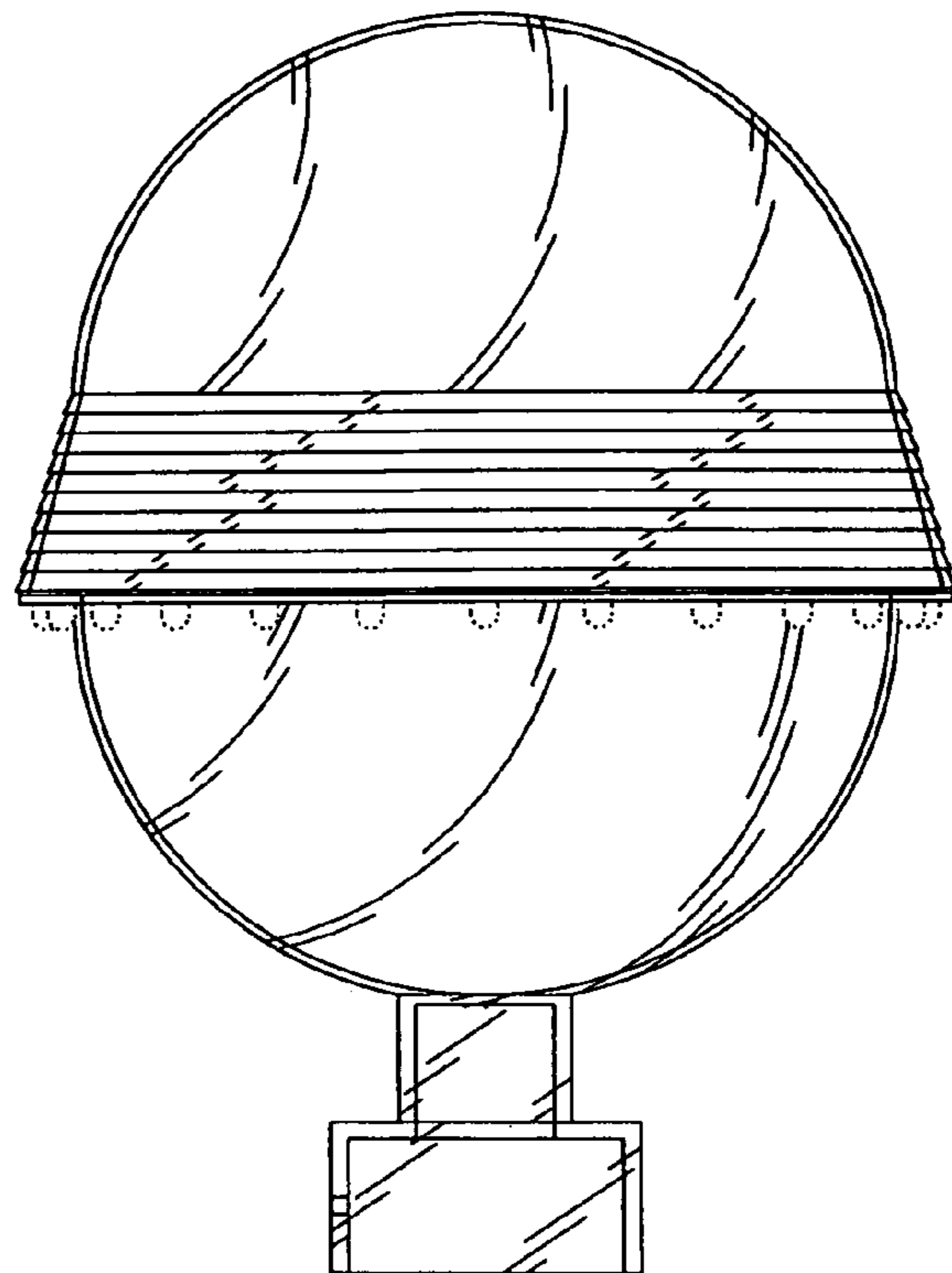
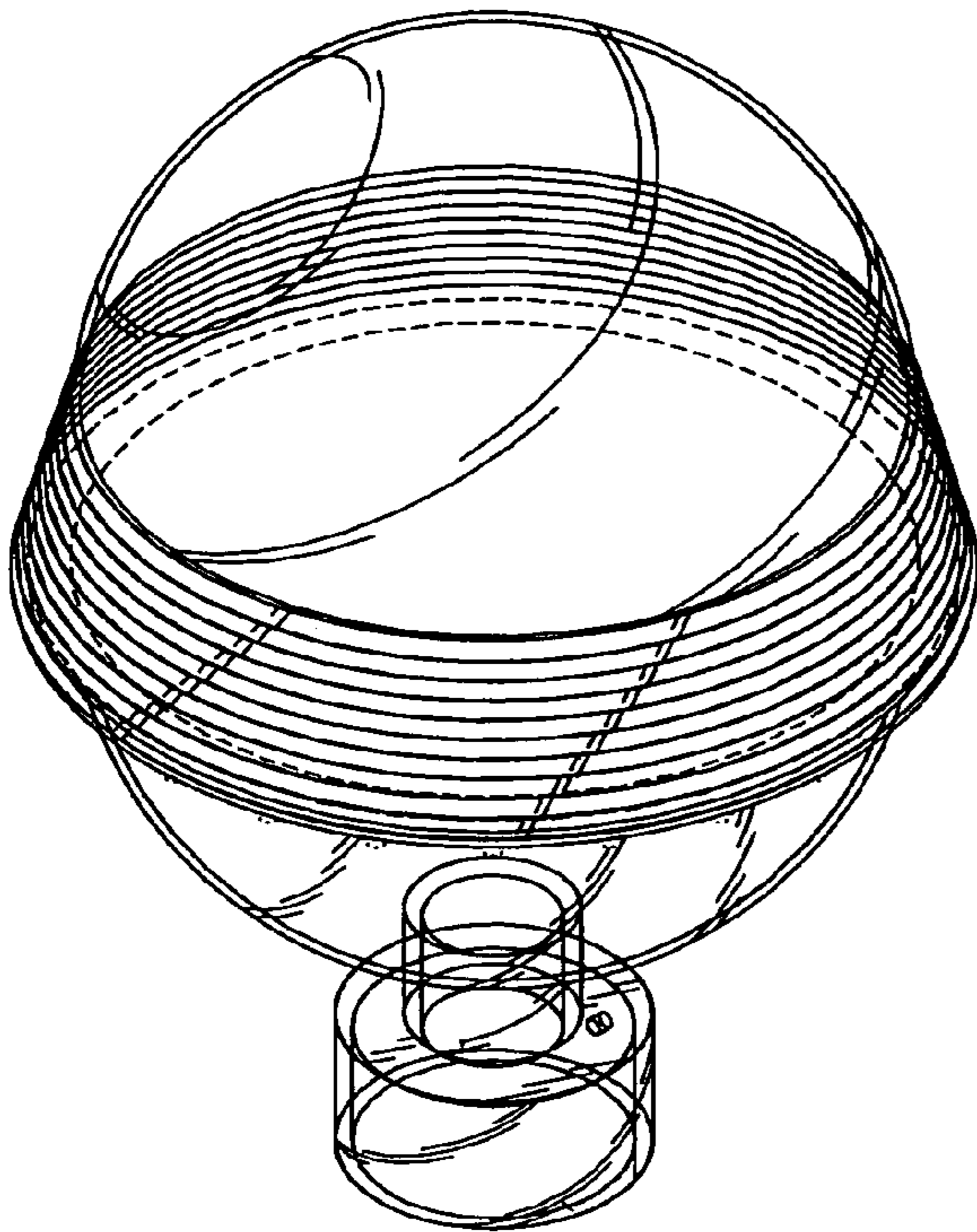
FIG. 4 is a left side view thereof;

FIG. 5 is a right side view thereof;

FIG. 6 is a top view thereof; and,

FIG. 7 is a bottom view thereof.

**1 Claim, 4 Drawing Sheets**



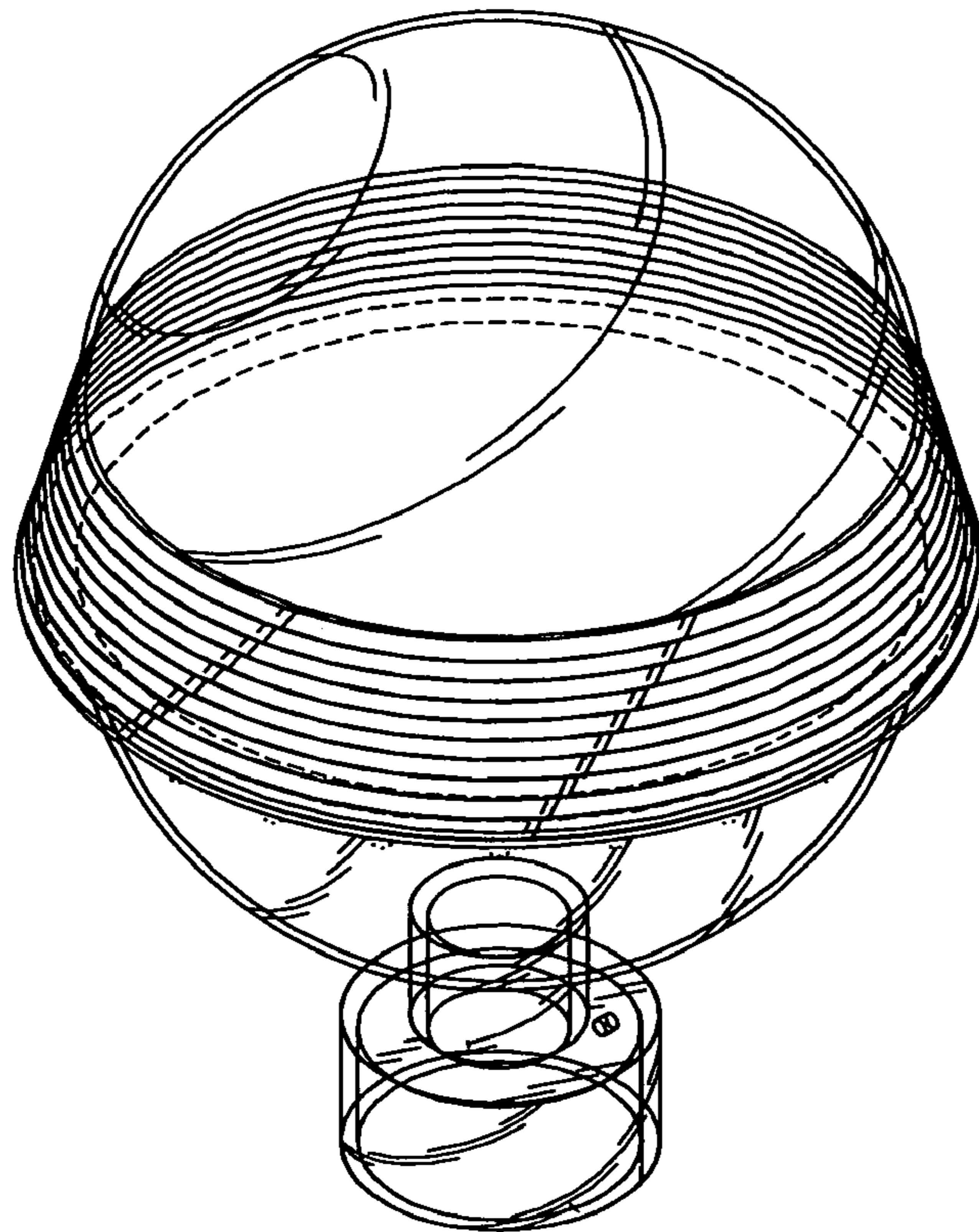


Fig. 1

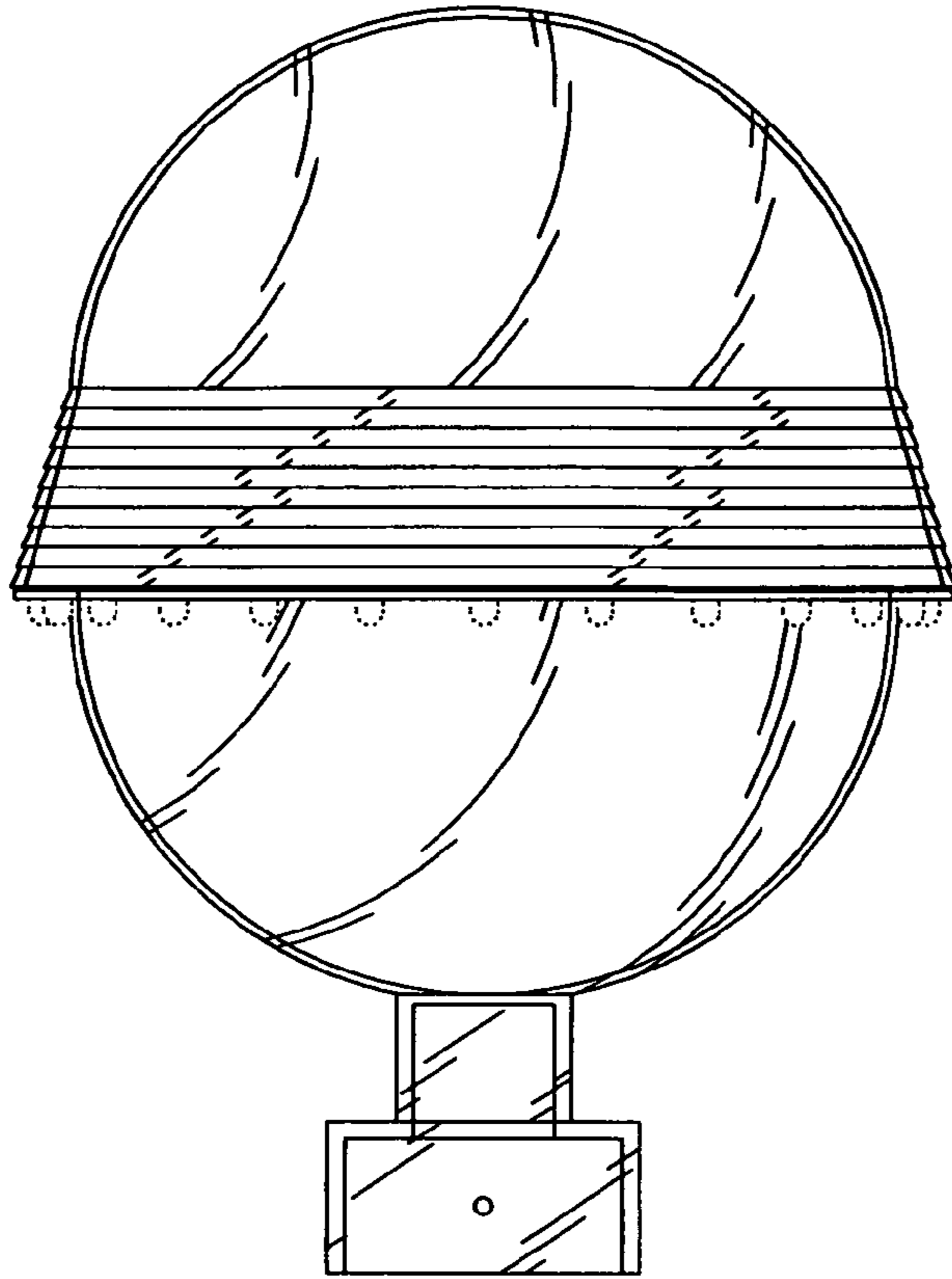


Fig. 2

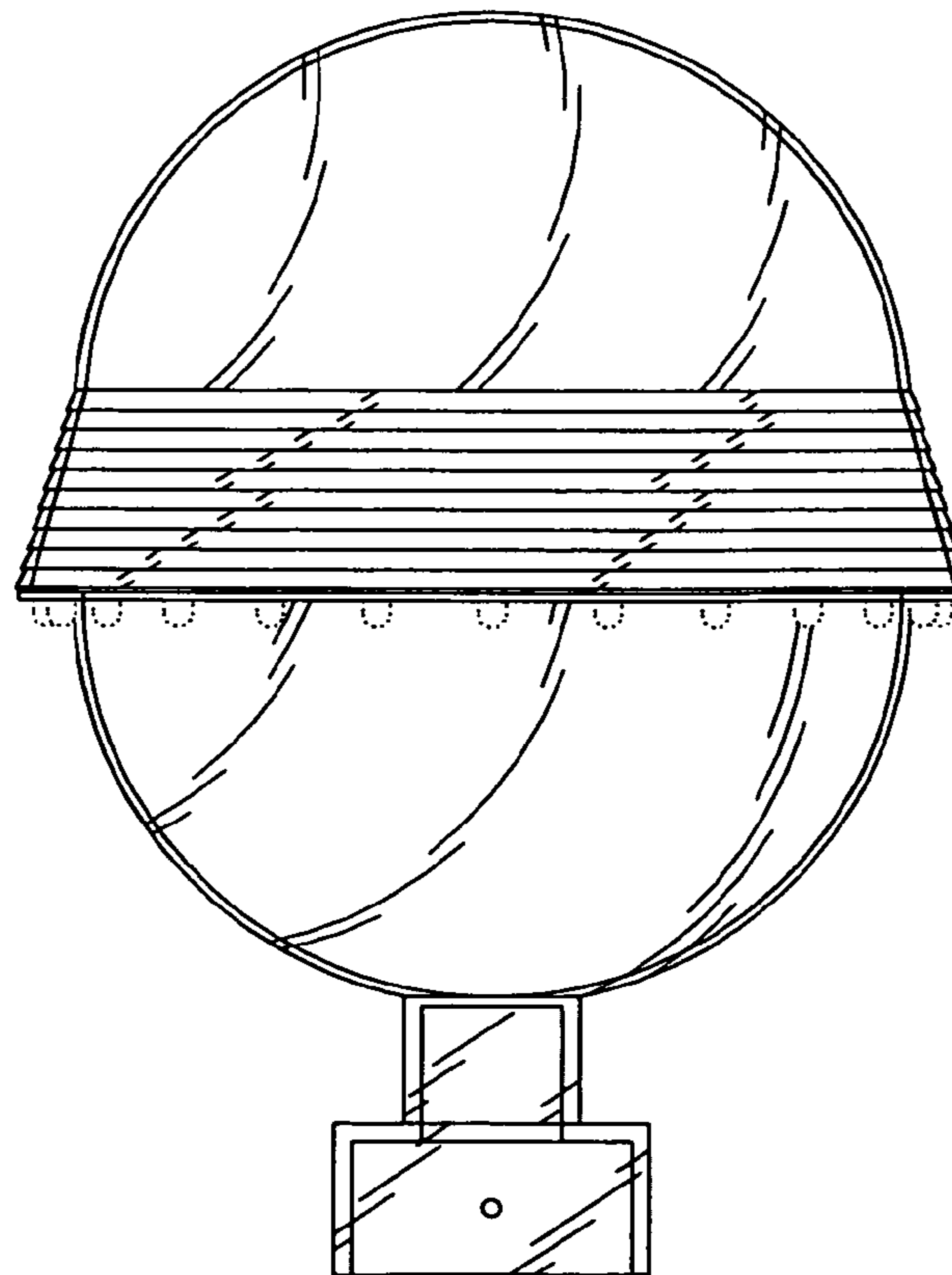


Fig. 3

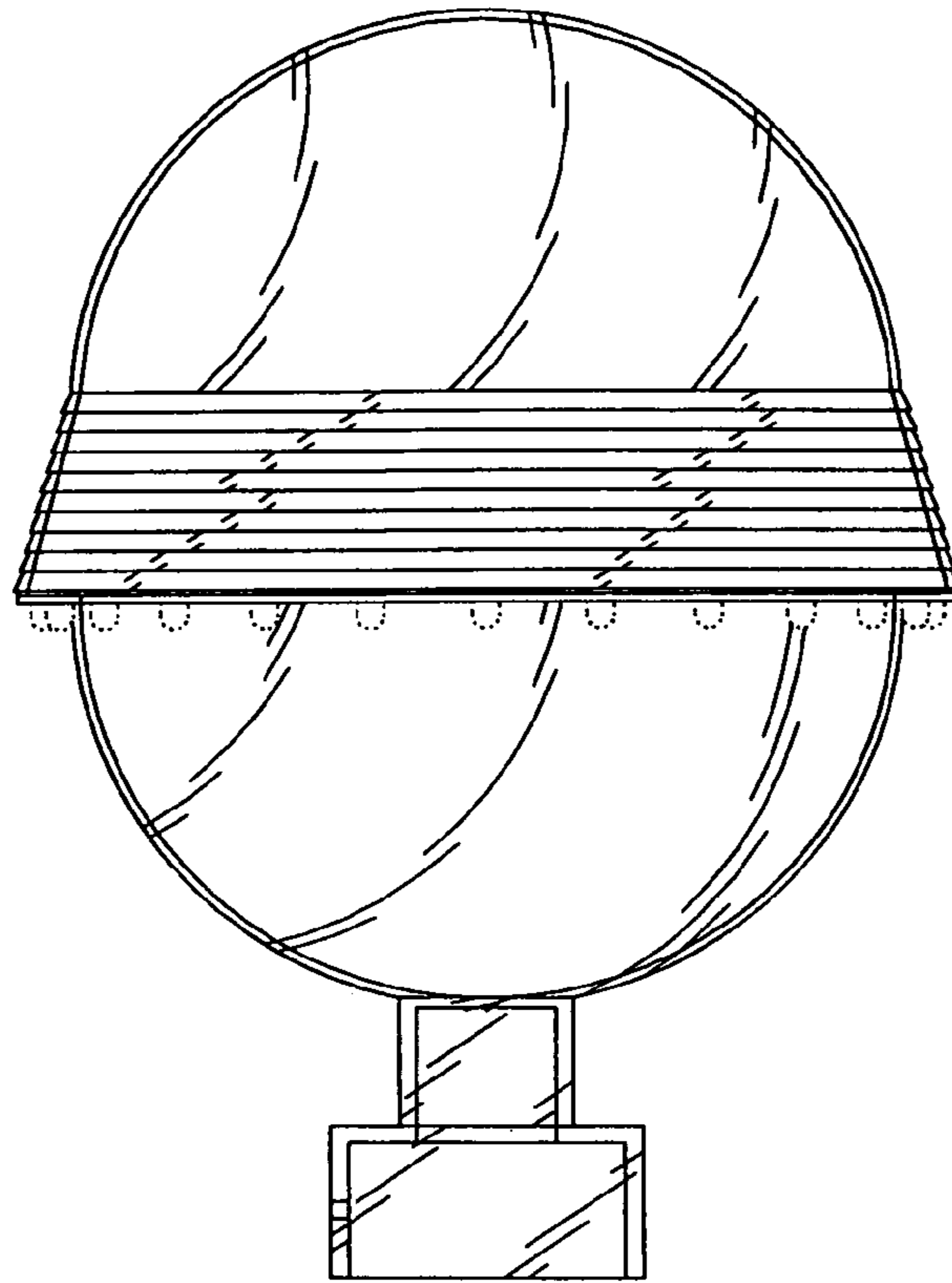


Fig. 4

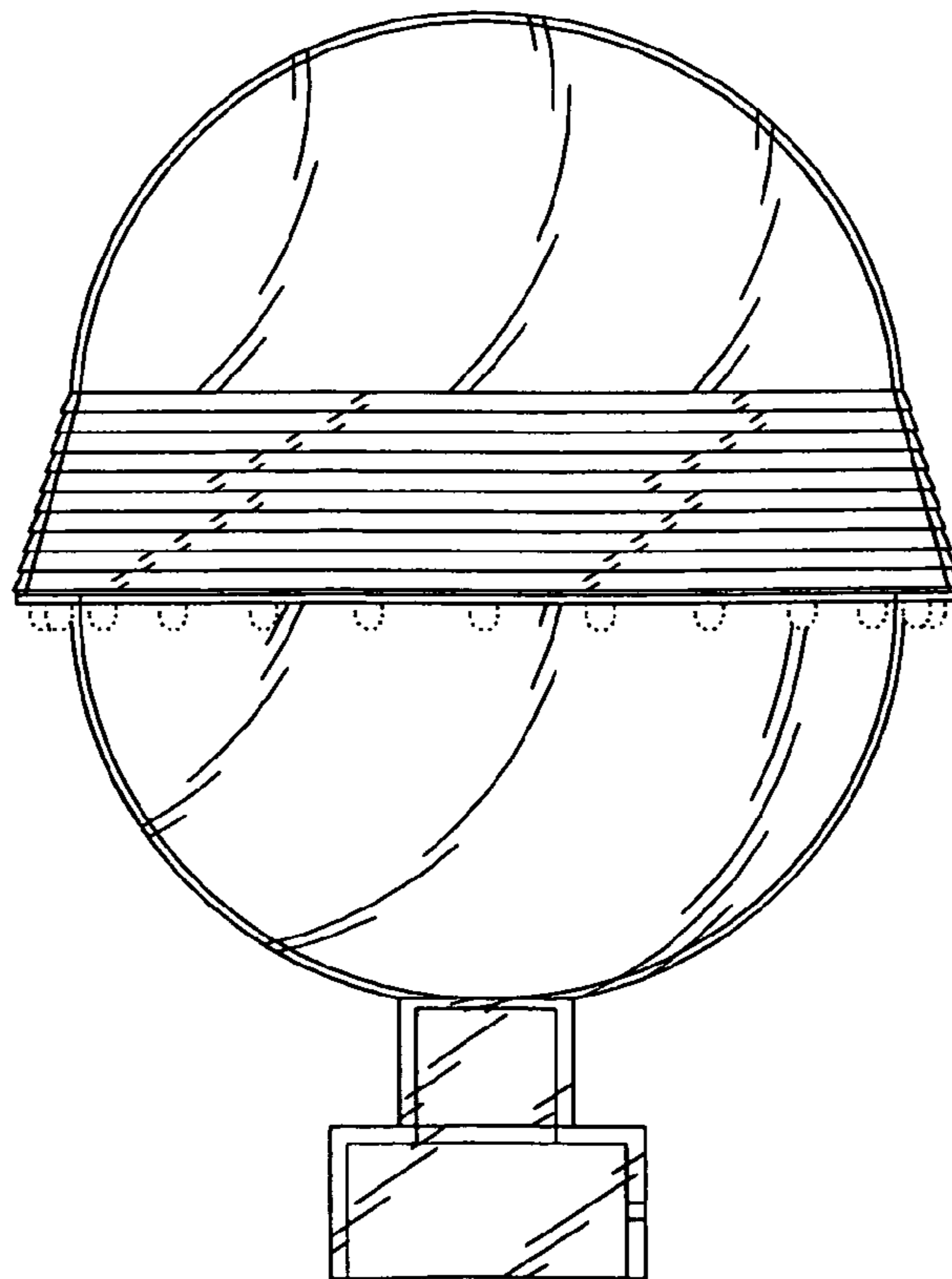


Fig. 5

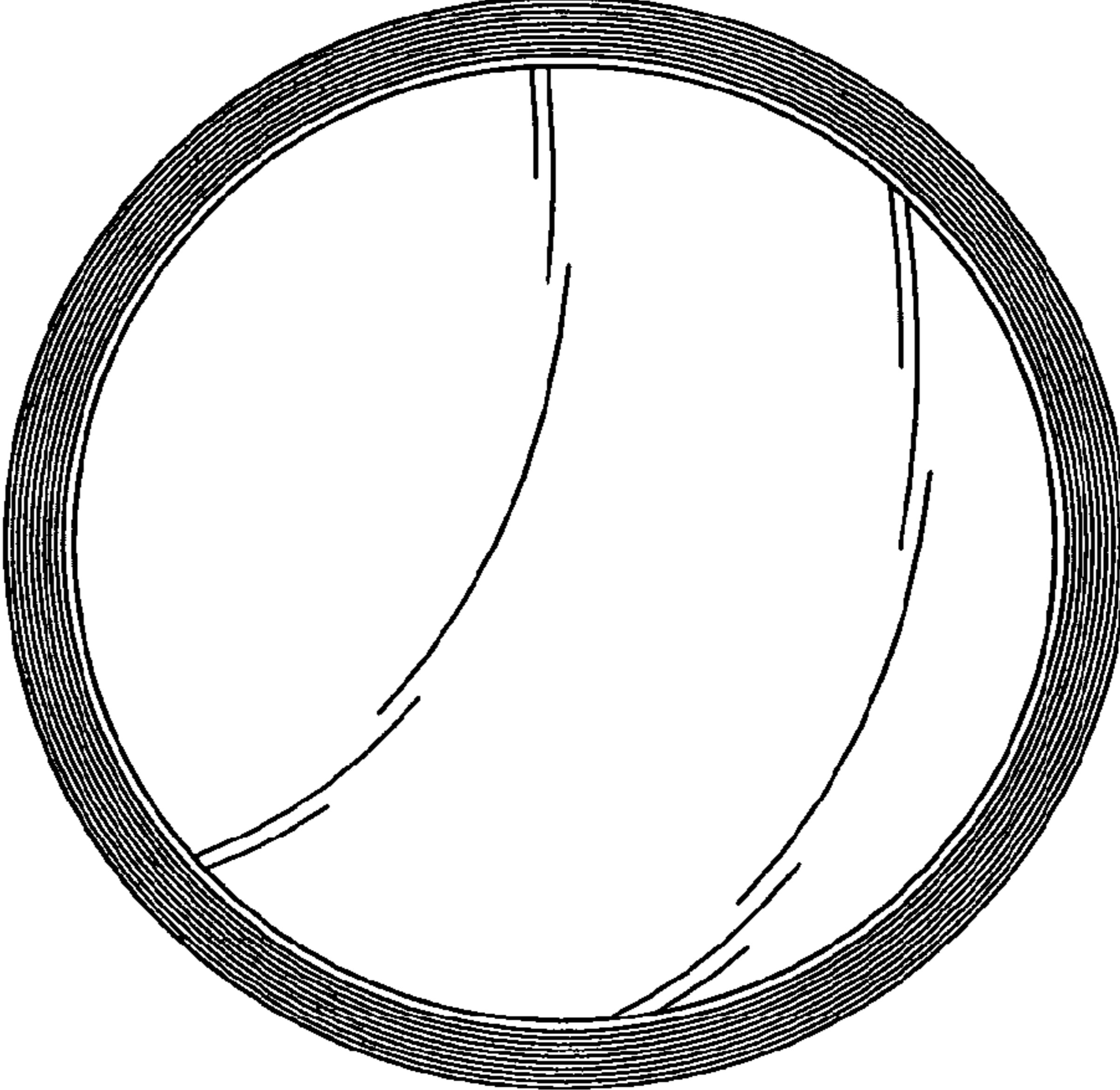


Fig. 6

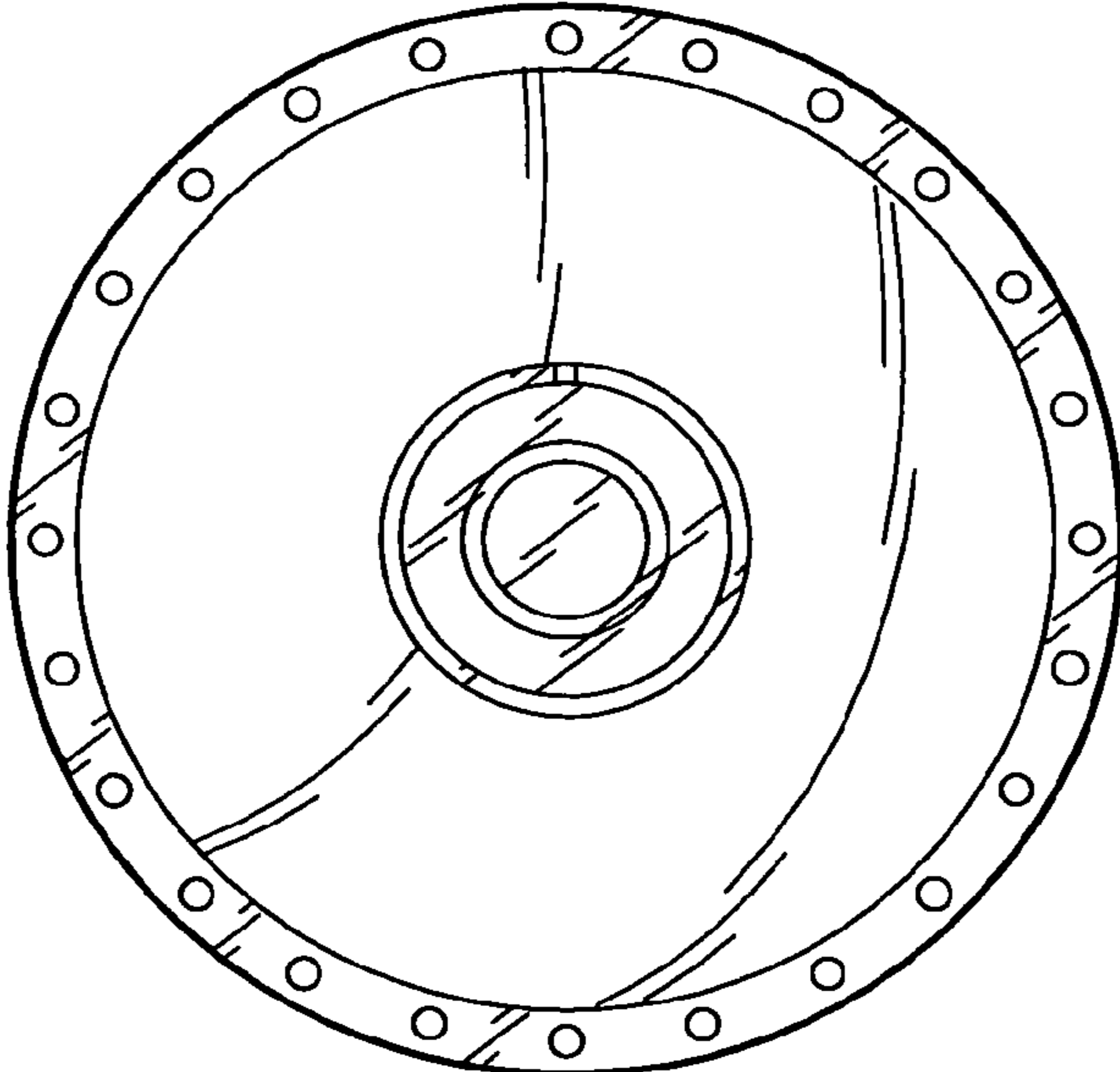


Fig. 7