



US00D640405S

(12) **United States Design Patent**  
**Yamada**

(10) **Patent No.:** **US D640,405 S**

(45) **Date of Patent:** **\*\* Jun. 21, 2011**

(54) **SPOTLIGHT**

(75) Inventor: **Hirokazu Yamada**, Kanagawa (JP)

(73) Assignees: **Toshiba Lighting & Technology Corporation**, Kanagawa (JP);  
**Kabushiki Kaisha Toshiba**, Tokyo (JP)

(\*\*) Term: **14 Years**

(21) Appl. No.: **29/363,451**

(22) Filed: **Jun. 9, 2010**

(30) **Foreign Application Priority Data**

Dec. 15, 2009 (JP) ..... 2009-029071

(51) **LOC (9) Cl.** ..... **26-05**

(52) **U.S. Cl.** ..... **D26/63**

(58) **Field of Classification Search** ..... D26/60-66,  
D26/74-93, 102, 118-124; 362/147, 148,  
362/220, 269, 270, 274, 275, 277, 278, 281-290,  
362/404, 413, 418, 427, 227, 211, 213, 225,  
362/232, 235-241, 268, 364, 372, 373, 294,  
362/264, 319

See application file for complete search history.

(56) **References Cited**

**U.S. PATENT DOCUMENTS**

5,446,637	A *	8/1995	Cunningham et al.	.....	362/321
6,744,693	B2 *	6/2004	Brockmann et al.	.....	362/321
D563,579	S *	3/2008	Grimberg	.....	D26/61
D566,861	S *	4/2008	Takada et al.	.....	D26/1
D585,589	S *	1/2009	Alexander et al.	.....	D26/118
D605,789	S *	12/2009	Ko	.....	D26/28
7,637,635	B2 *	12/2009	Xiao et al.	.....	362/294
7,744,259	B2 *	6/2010	Walczak et al.	.....	362/421
D625,452	S *	10/2010	Yamada	.....	D26/63

**FOREIGN PATENT DOCUMENTS**

JP	D1295278	2/2007
JP	D1295279	2/2007
JP	D1297119	2/2007
JP	D1302866	5/2007

\* cited by examiner

*Primary Examiner* — Susan M Lee

*Assistant Examiner* — Linda Brooks

(74) *Attorney, Agent, or Firm* — J.C. Patents

(57) **CLAIM**

The ornamental design for a spotlight, as shown and described.

**DESCRIPTION**

FIG. 1 is a perspective view of a spotlight showing my new design.

FIG. 2 is a front view thereof, the rear view being a mirror image of the front view.

FIG. 3 is a left side view thereof.

FIG. 4 is a right side view thereof.

FIG. 5 is a top view thereof, the bottom view being identical to the top view.

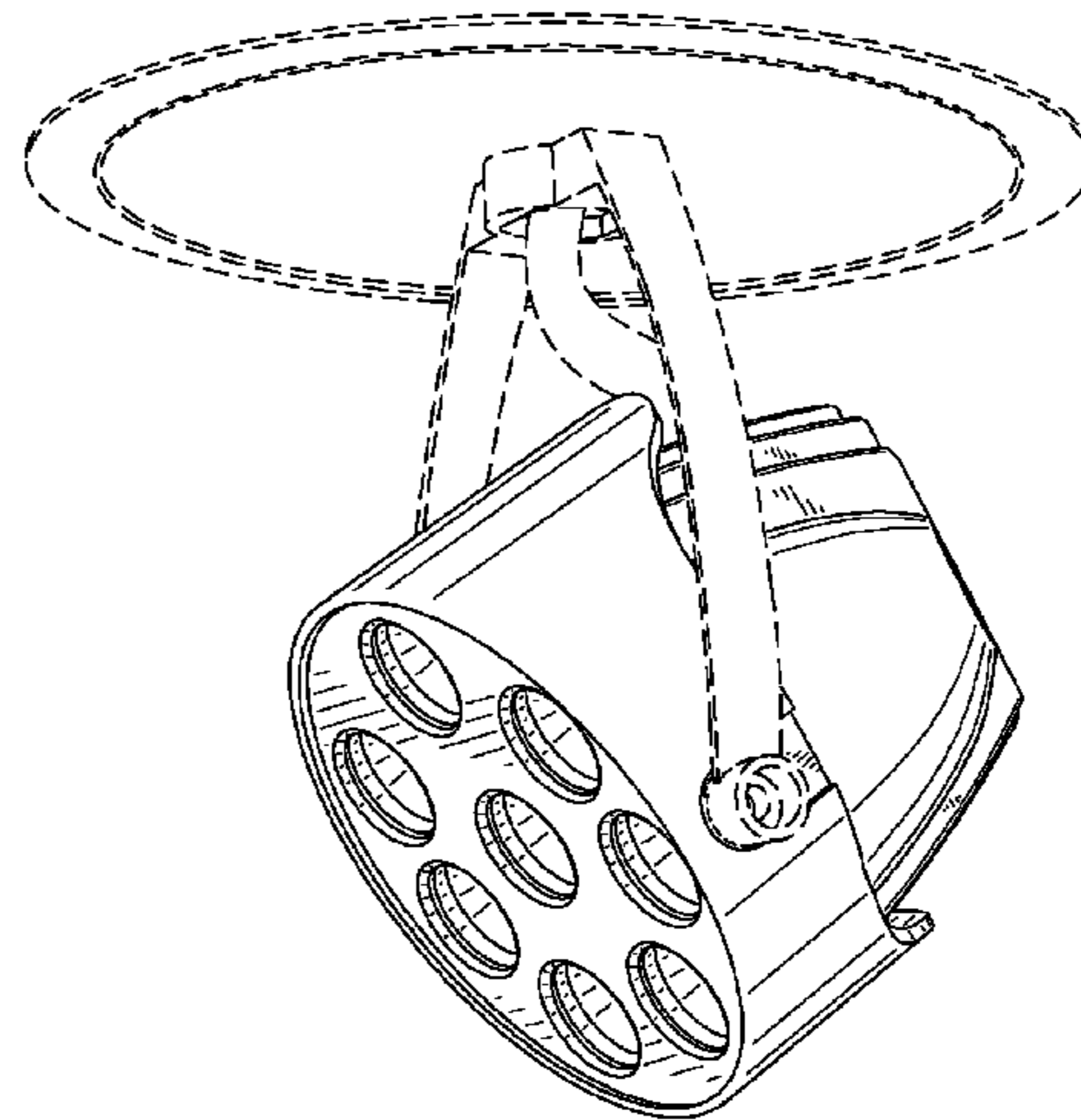
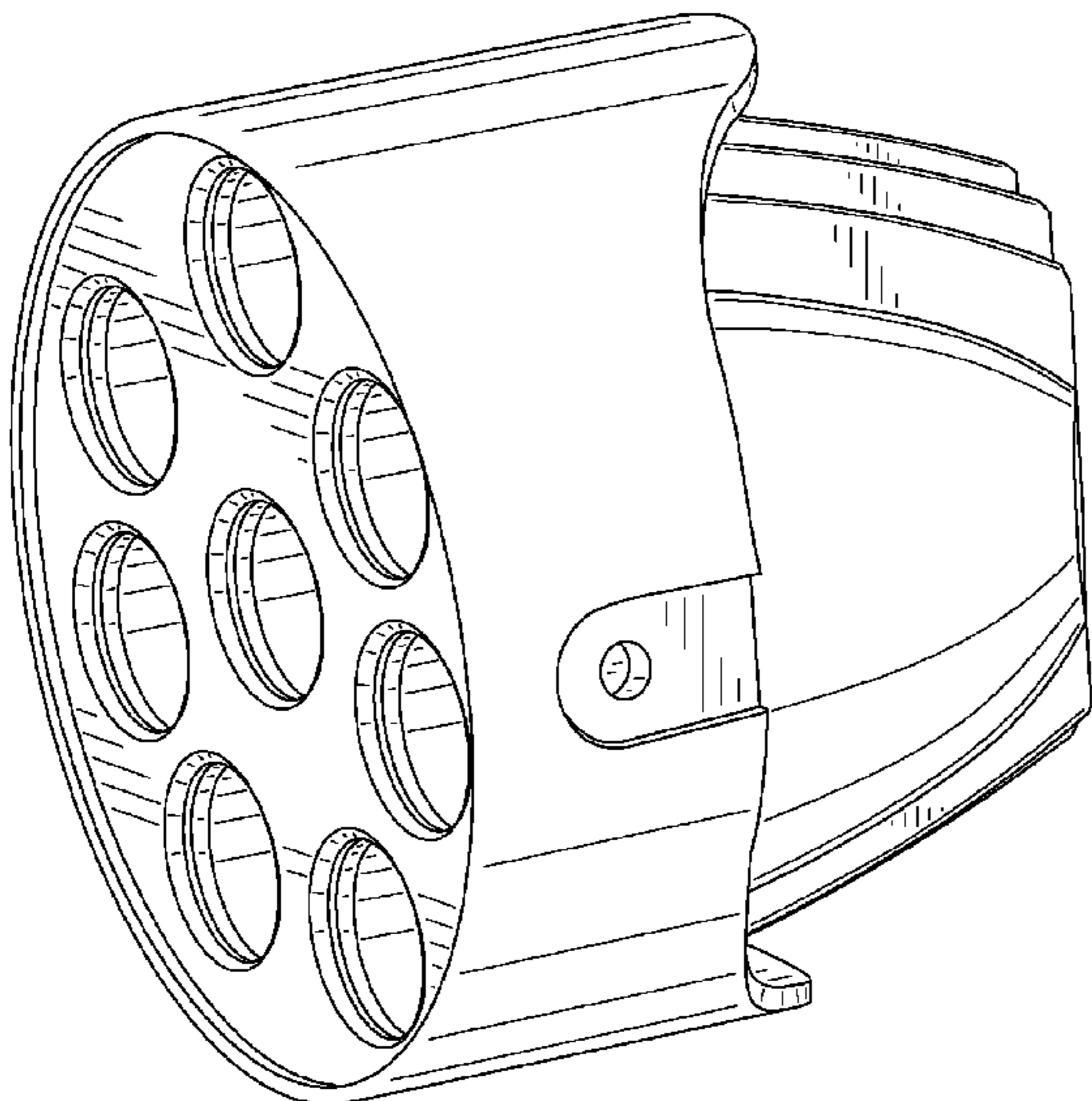
FIG. 6 is a perspective view thereof, shown with environment and in used condition.

FIG. 7 is another perspective view thereof, shown with environment and in used condition; and,

FIG. 8 is yet another perspective view thereof, shown with environment and in used condition.

The broken line portion of the figure drawings is included for the purpose of illustrating environment and forms no part of the claimed design.

**1 Claim, 8 Drawing Sheets**



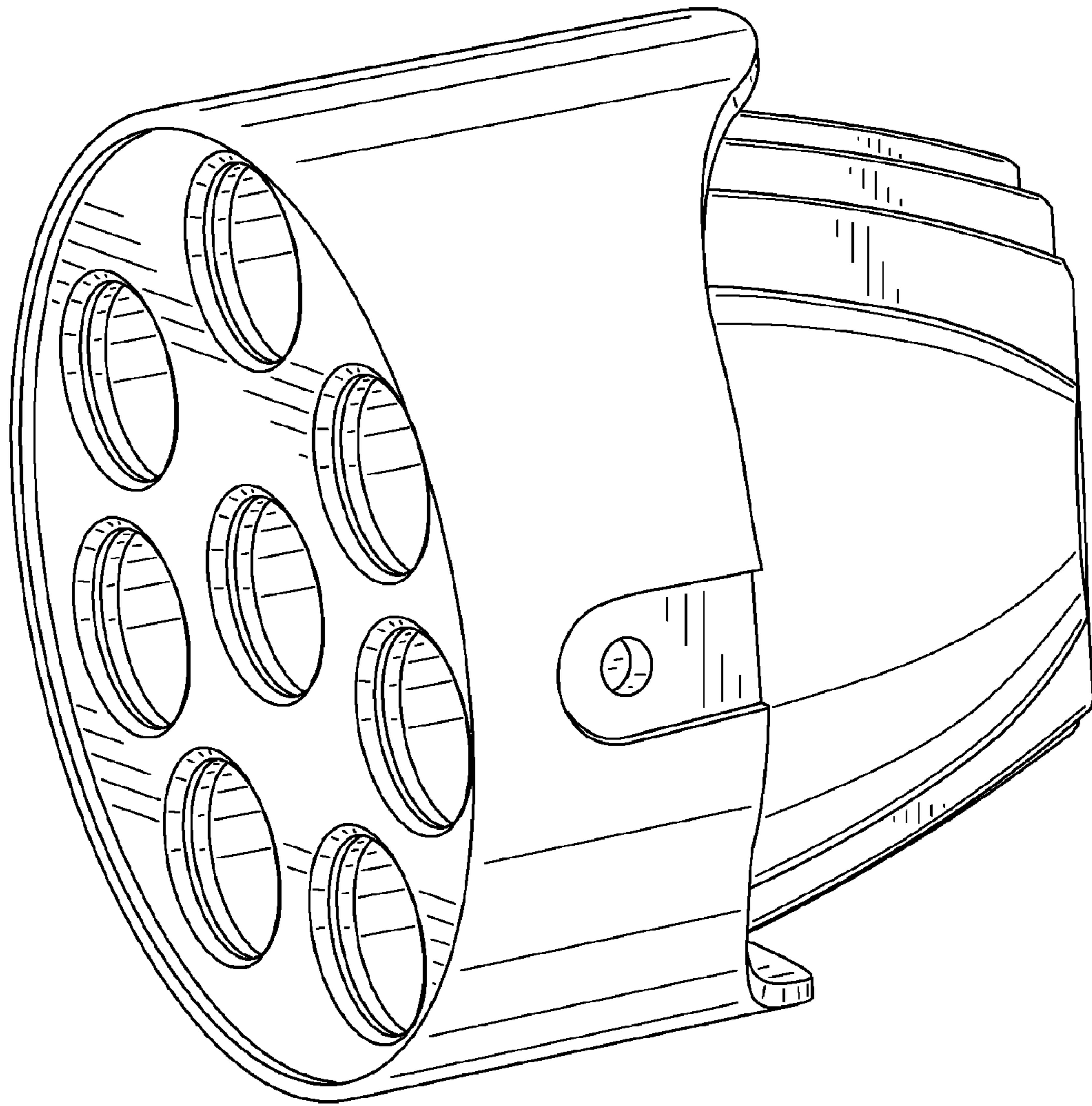


FIG. 1

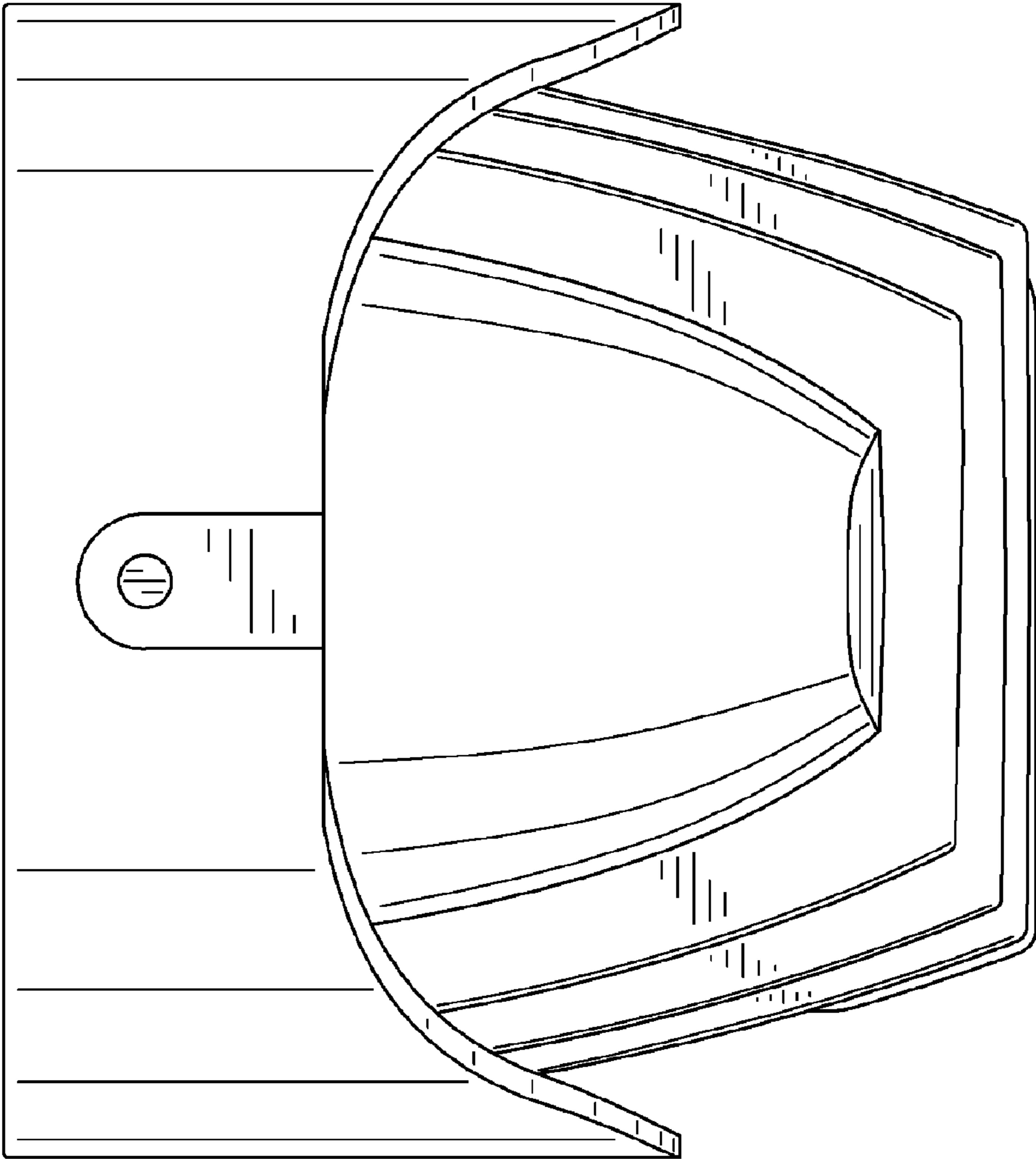


FIG. 2

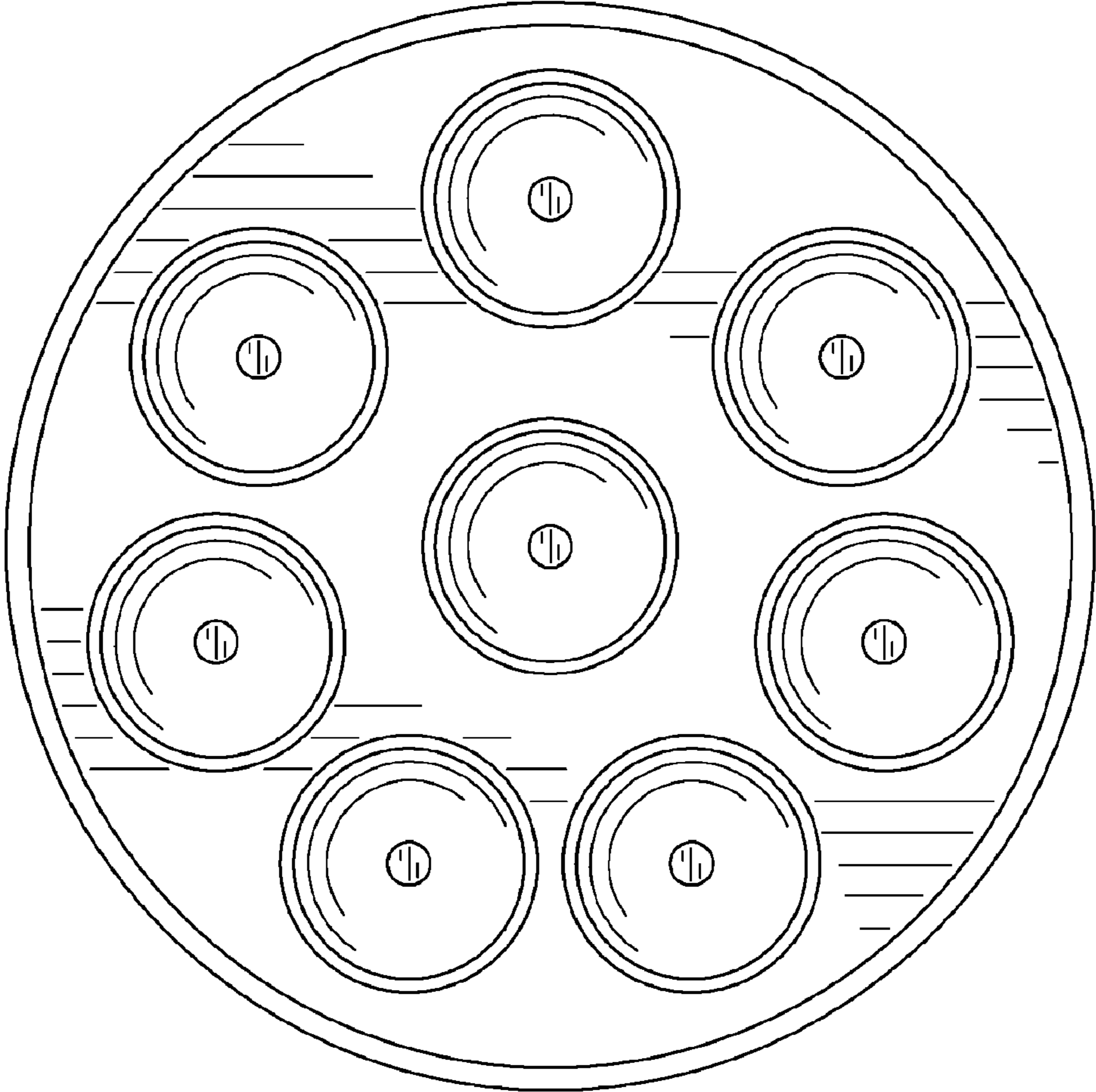


FIG. 3

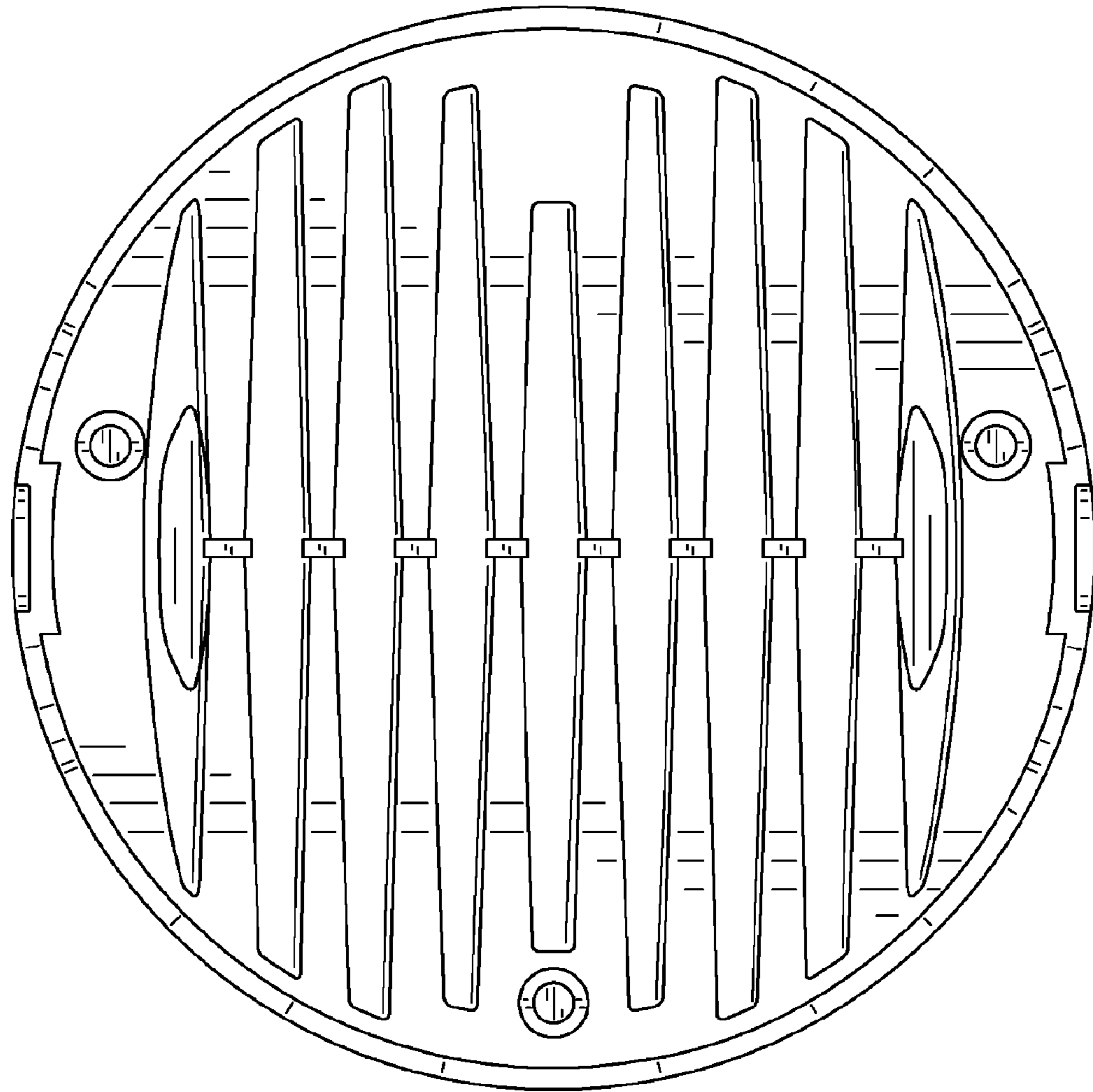


FIG. 4

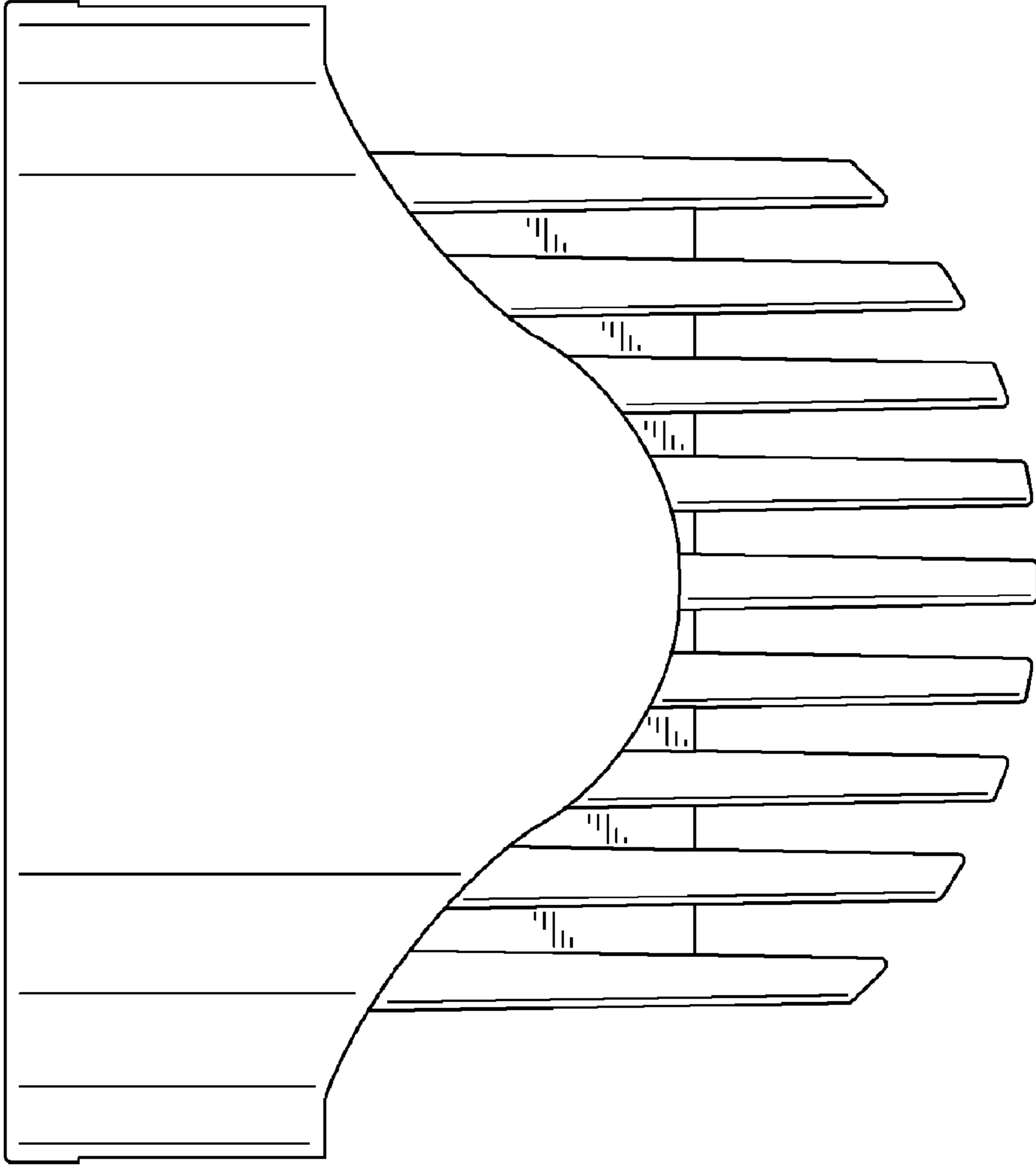


FIG. 5

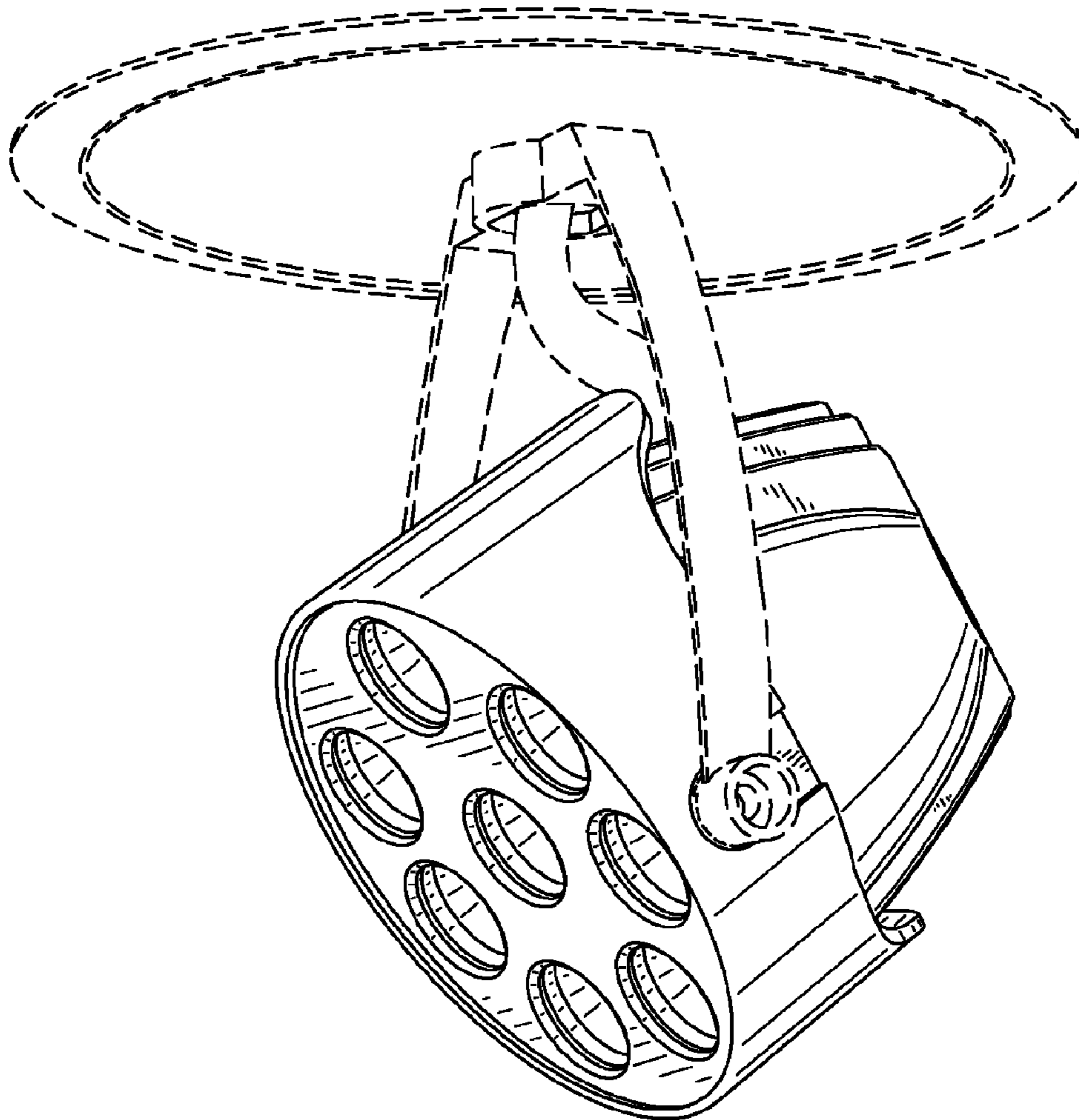


FIG. 6

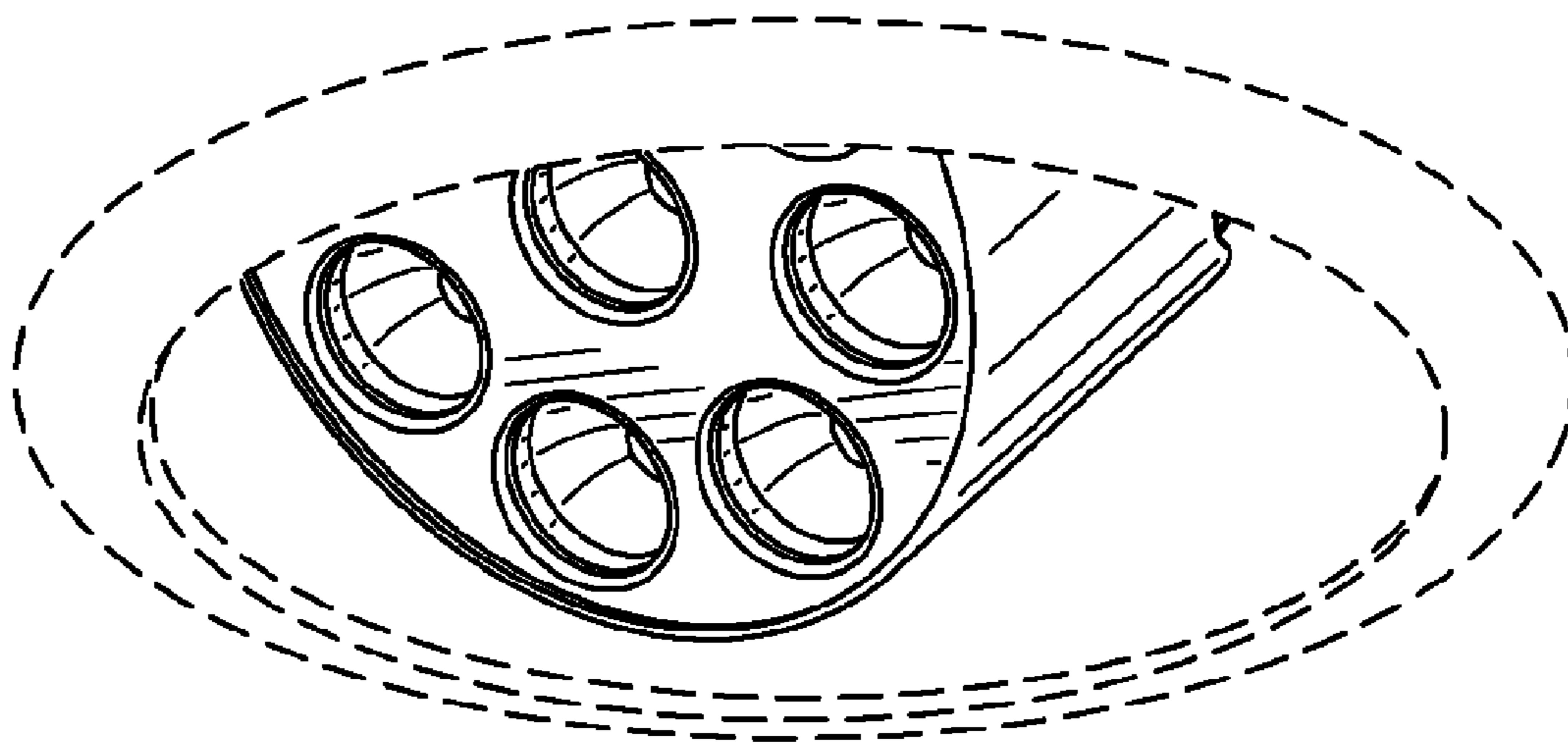


FIG. 7



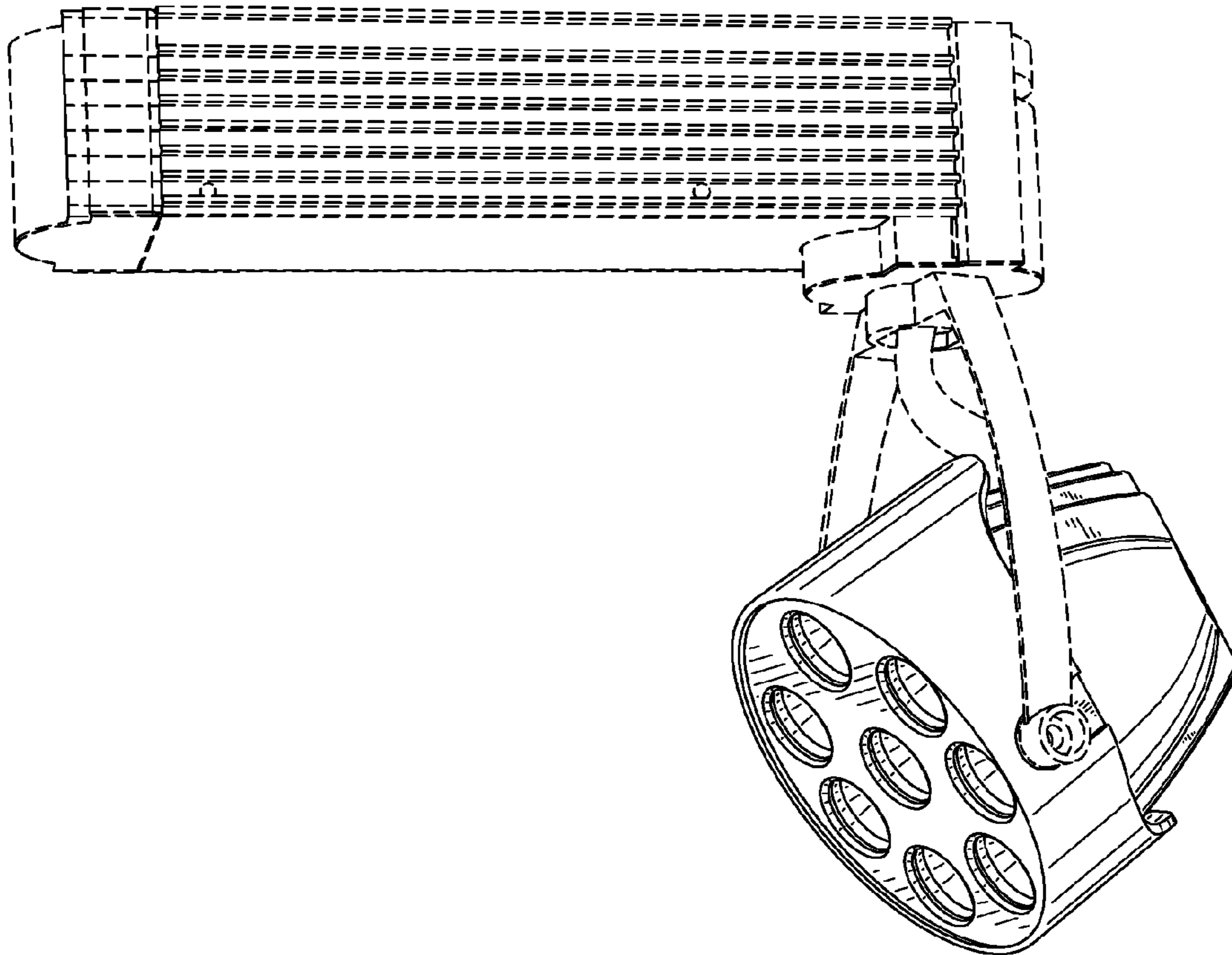


FIG. 8