



US00D640404S

(12) **United States Design Patent**  
**Chipperfield**

(10) **Patent No.:** **US D640,404 S**

(45) **Date of Patent:** **\*\* Jun. 21, 2011**

(54) **LIGHT**

(75) Inventor: **David Chipperfield**, London (GB)

(73) Assignee: **Zumtobel Lighting GmbH & Co. KG**,  
Lemgo (DE)

(\*\*) Term: **14 Years**

(21) Appl. No.: **29/339,514**

(22) Filed: **Jul. 1, 2009**

**Related U.S. Application Data**

(62) Division of application No. 29/320,927, filed on Jul. 8, 2008, now abandoned.

(30) **Foreign Application Priority Data**

Jan. 11, 2008 (EM) ..... 000858204

(51) **LOC (9) Cl.** ..... **26-05**

(52) **U.S. Cl.** ..... **D26/63**

(58) **Field of Classification Search** ..... D26/60,  
D26/61, 62, 63, 64, 65, 66, 72, 81, 88, 89,  
D26/90, 91, 154, 24, 44, 77, 119, 121, 152,  
D26/75, 85; 362/145, 147, 148, 150, 218,  
362/220, 223, 648, 227, 238, 239, 249, 250,  
362/372, 418, 430, 269, 270, 271, 272, 273,  
362/274, 277, 278, 282, 283, 285, 287, 288,  
362/290, 309, 427

See application file for complete search history.

(56) **References Cited**

**U.S. PATENT DOCUMENTS**

D254,094 S \* 1/1980 Jaksich ..... D26/63  
D277,416 S \* 1/1985 Brown ..... D26/63

D300,864 S \* 4/1989 Titmarsh ..... D26/24  
D353,474 S \* 12/1994 Shyan ..... D26/63  
D407,836 S \* 4/1999 Leen ..... D26/63  
D417,301 S \* 11/1999 Hein ..... D26/63  
D456,938 S \* 5/2002 Wardenburg ..... D26/118  
D536,119 S \* 1/2007 Mier-Langner et al. .... D26/63  
D537,973 S \* 3/2007 Mier-Langner et al. .... D26/63  
D543,652 S \* 5/2007 Hargreaves ..... D26/76  
D561,369 S \* 2/2008 Sandell ..... D26/63  
D577,141 S \* 9/2008 Monroe ..... D26/61  
2008/0158894 A1 \* 7/2008 Dixon et al. .... 362/418

\* cited by examiner

*Primary Examiner* — Angela J Lee

(74) *Attorney, Agent, or Firm* — Marshall, Gerstein & Borun  
LLP; Richard M. LaBarge; Sharon M. Sintich

(57) **CLAIM**

The ornamental design for a light, as shown and described.

**DESCRIPTION**

FIG. 1 is an end view of a light.

FIG. 2 is a view of the side of the light seen on the right side of FIG. 1.

FIG. 3 is a view of the side of the light seen on the left side of FIG. 2.

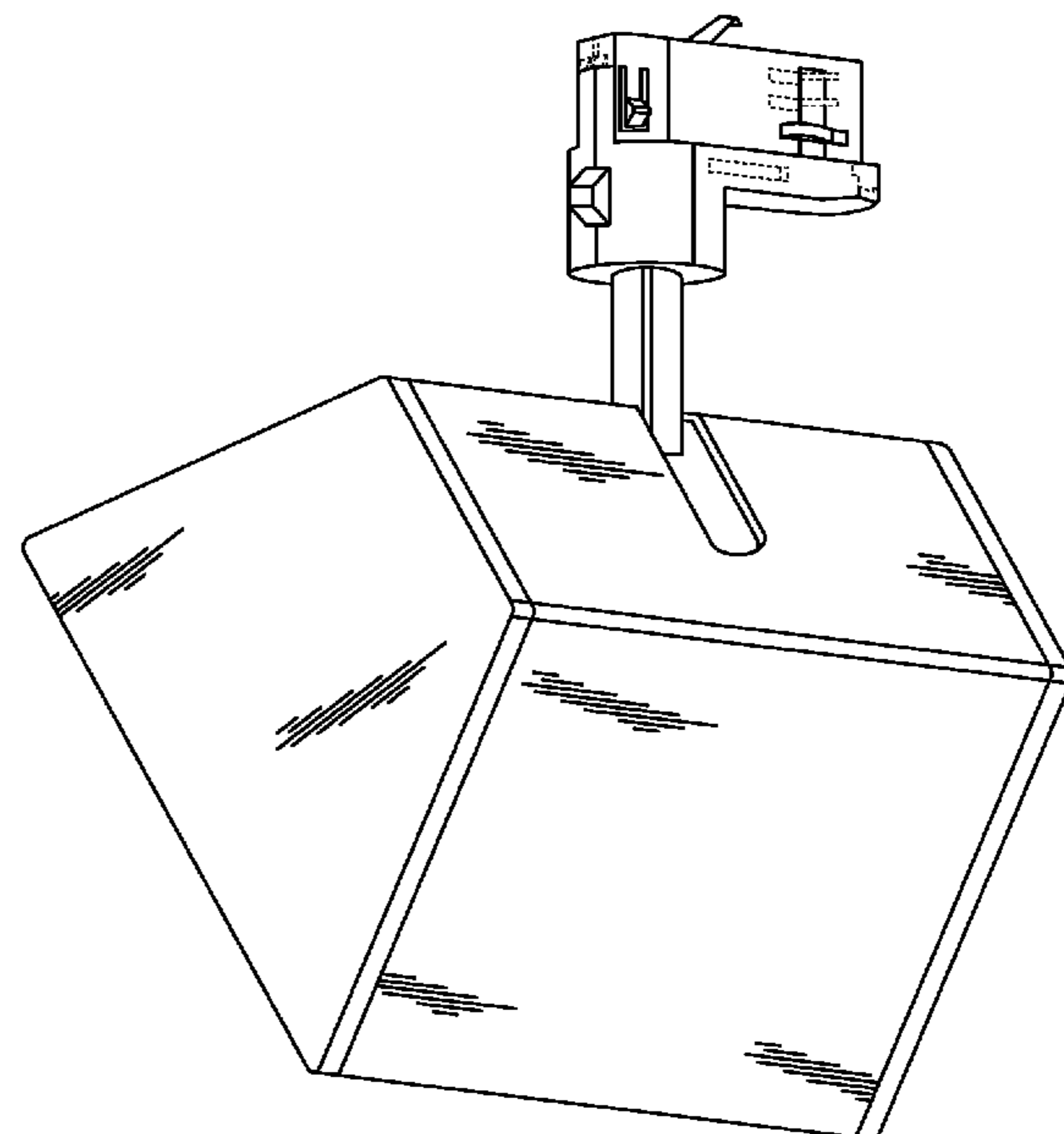
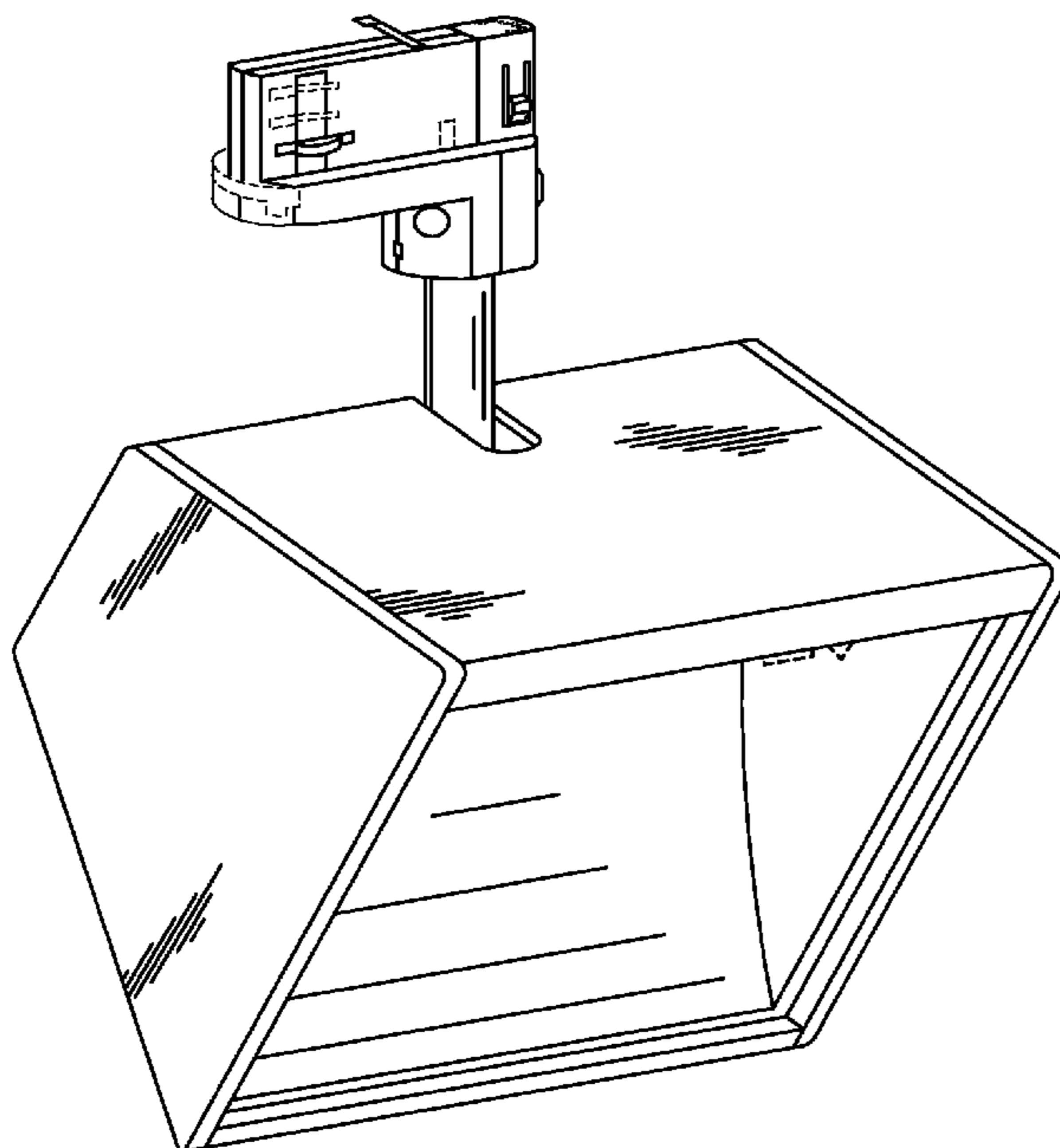
FIG. 4 is a view of the bottom of the light.

FIG. 5 is a view of the top of the light.

FIG. 6 is a perspective view of the light from above, with the light shifted sideways from the position seen in FIG. 1; and, FIG. 7 is a perspective view of the light from below and an opposite side, with the light again shifted sideways from the position seen in FIG. 1.

The portions of the light shown in broken lines form no part of the claimed design.

**1 Claim, 7 Drawing Sheets**



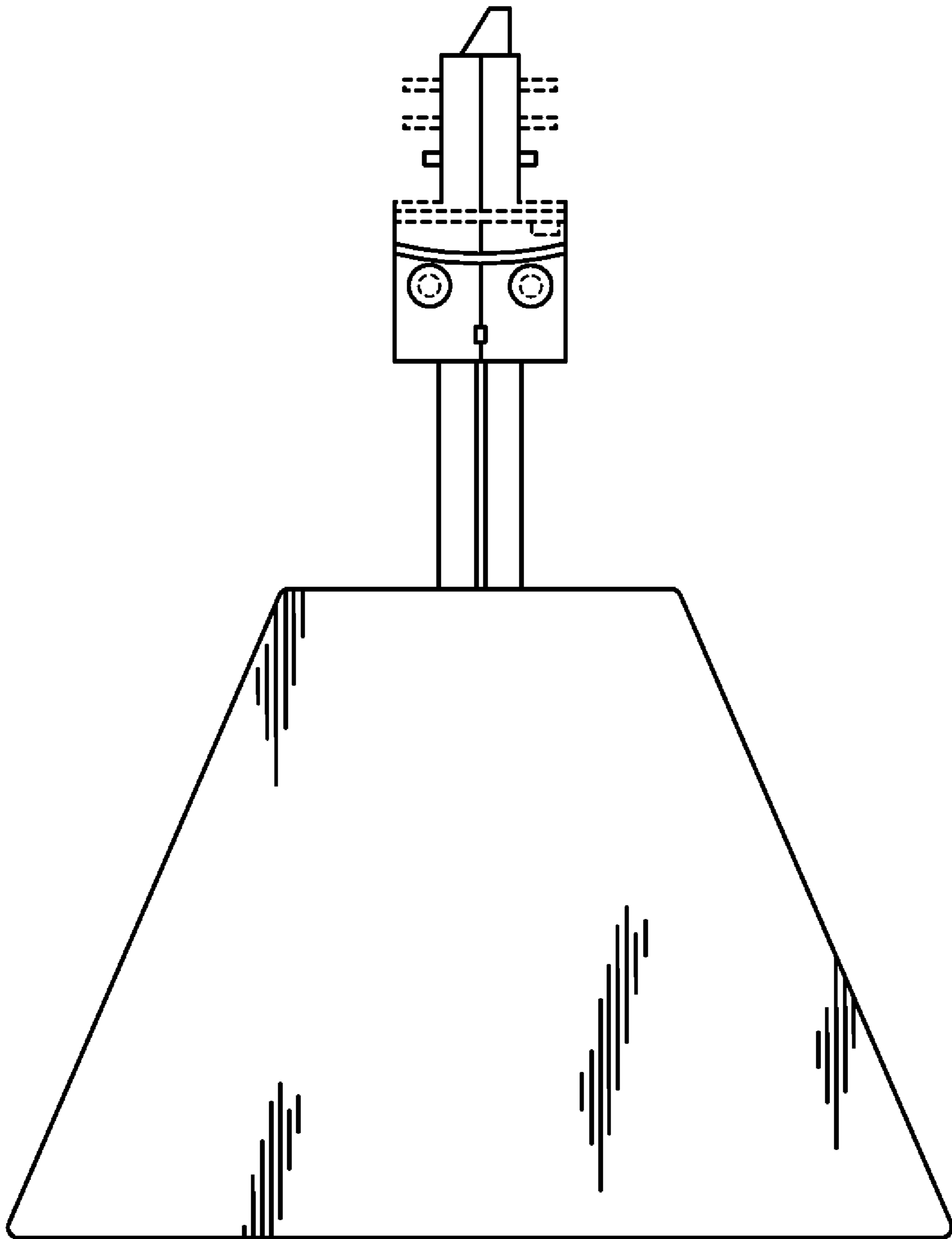


FIG. 1

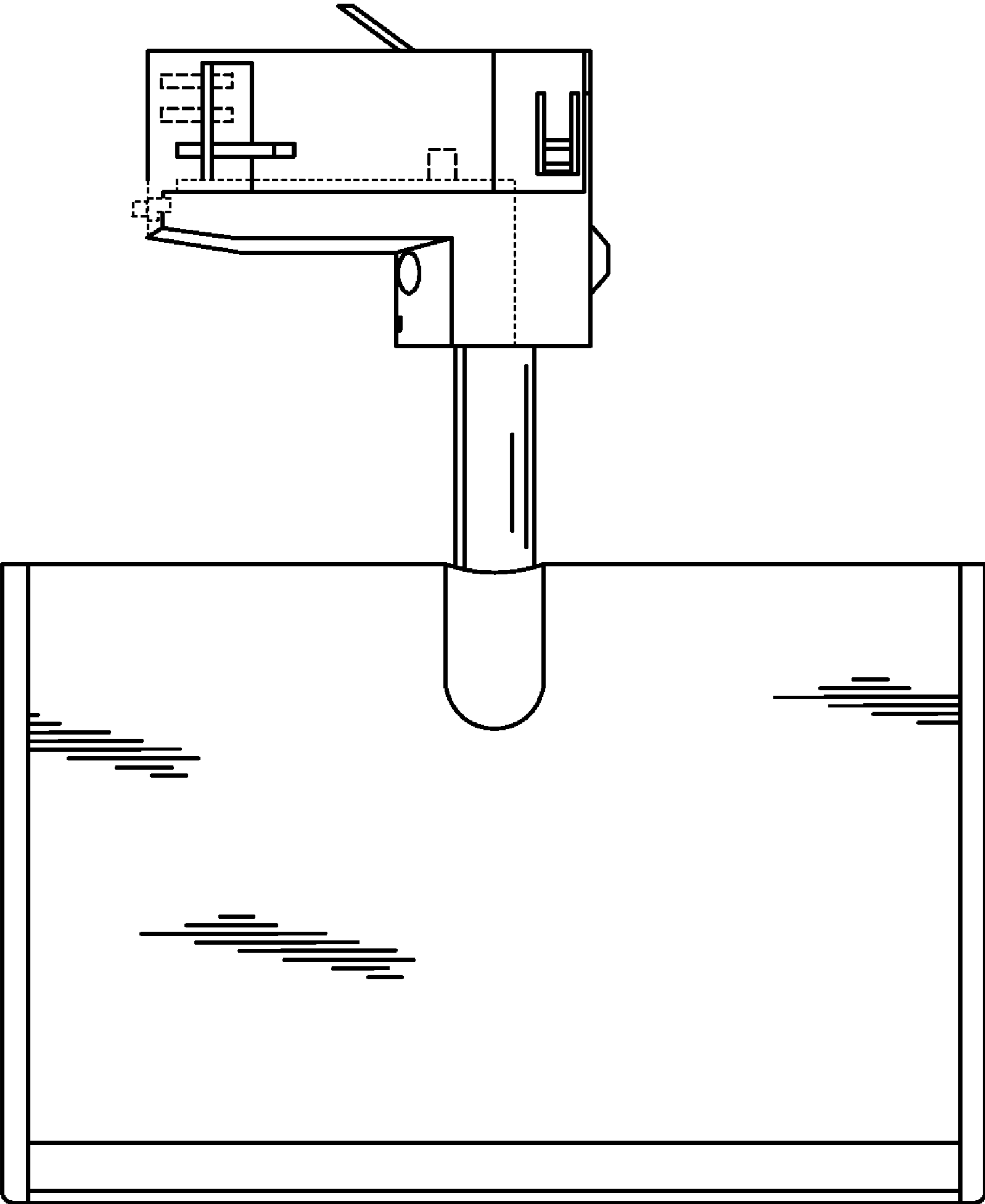


FIG. 2

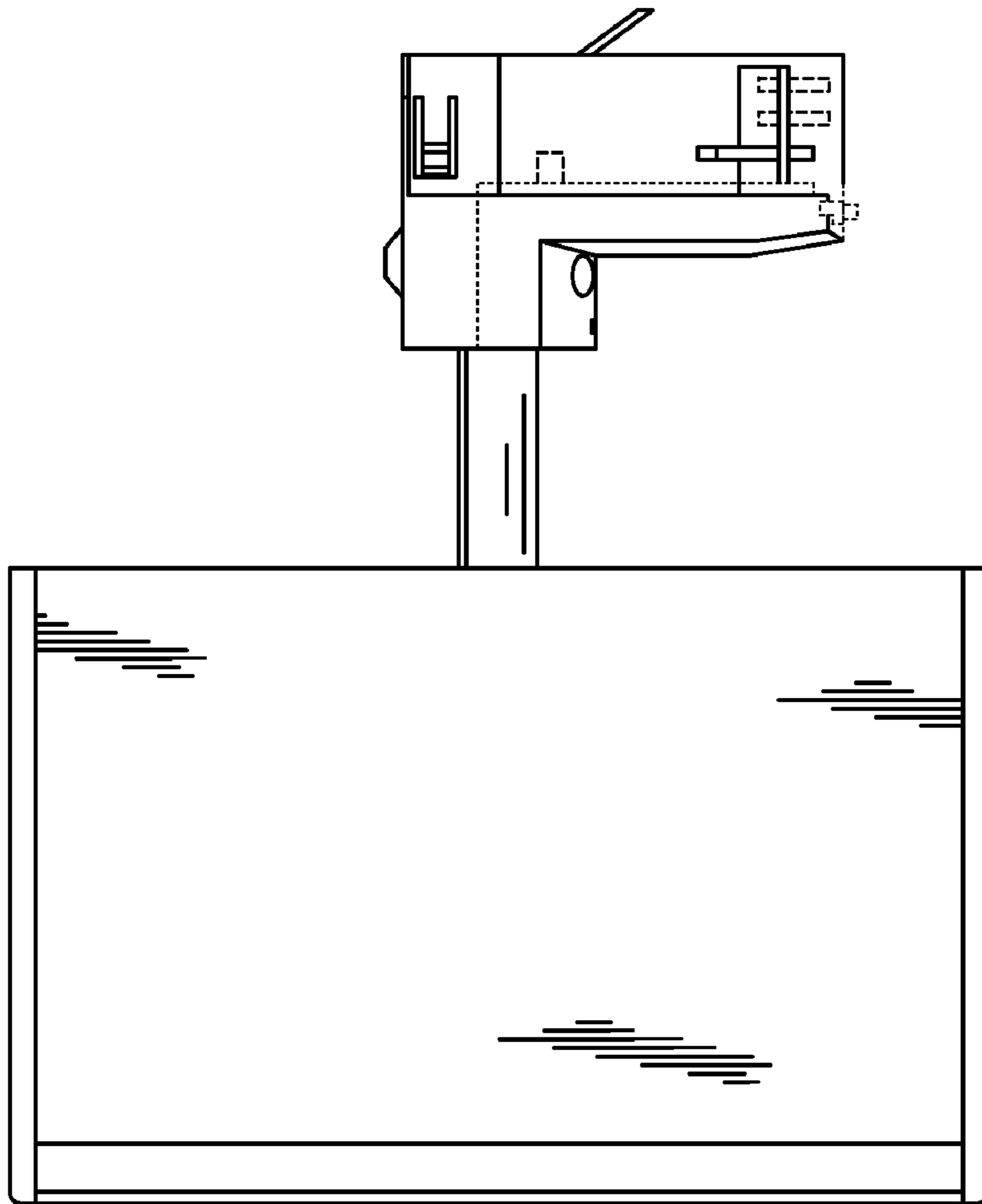


FIG. 3

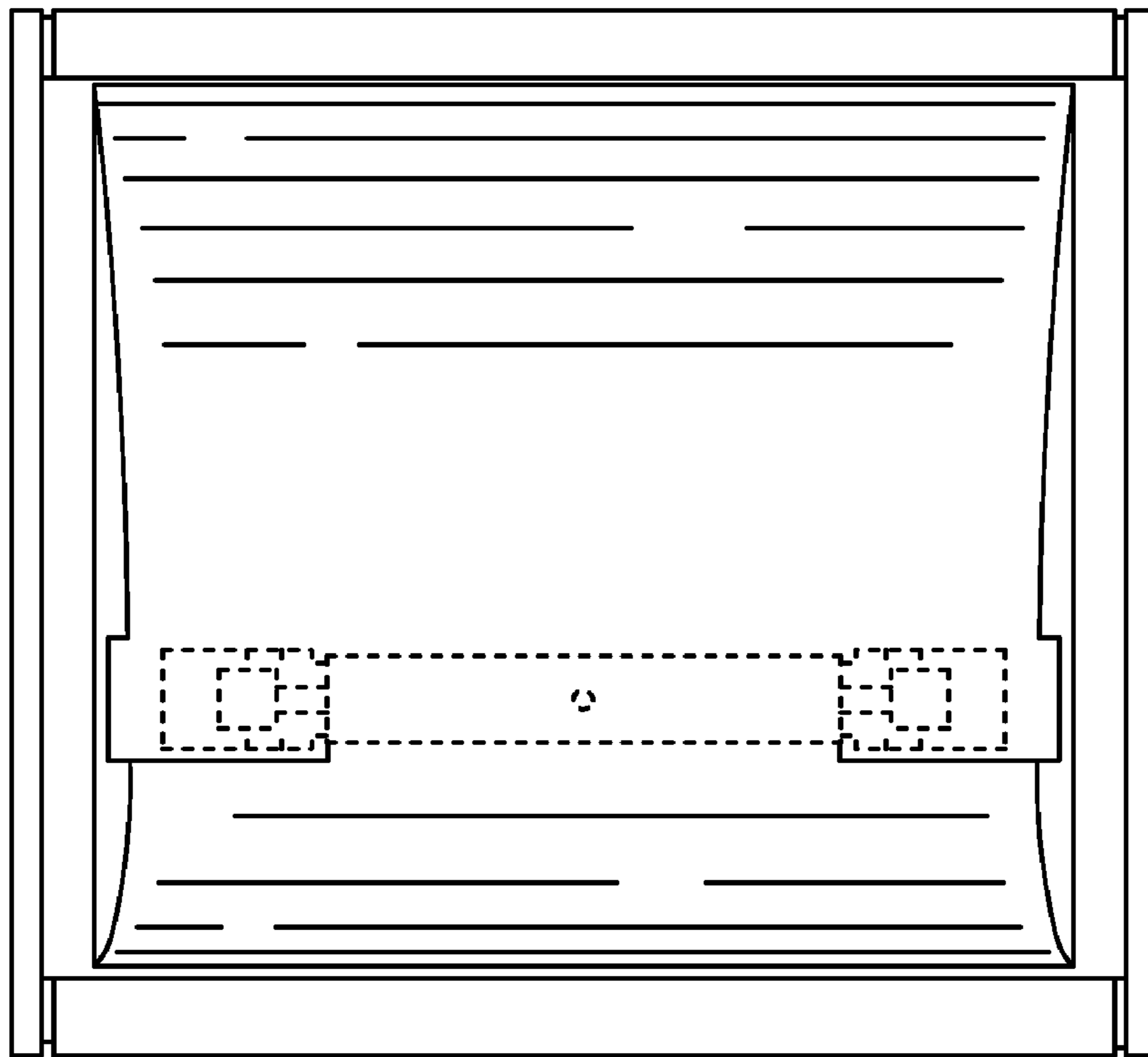


FIG. 4

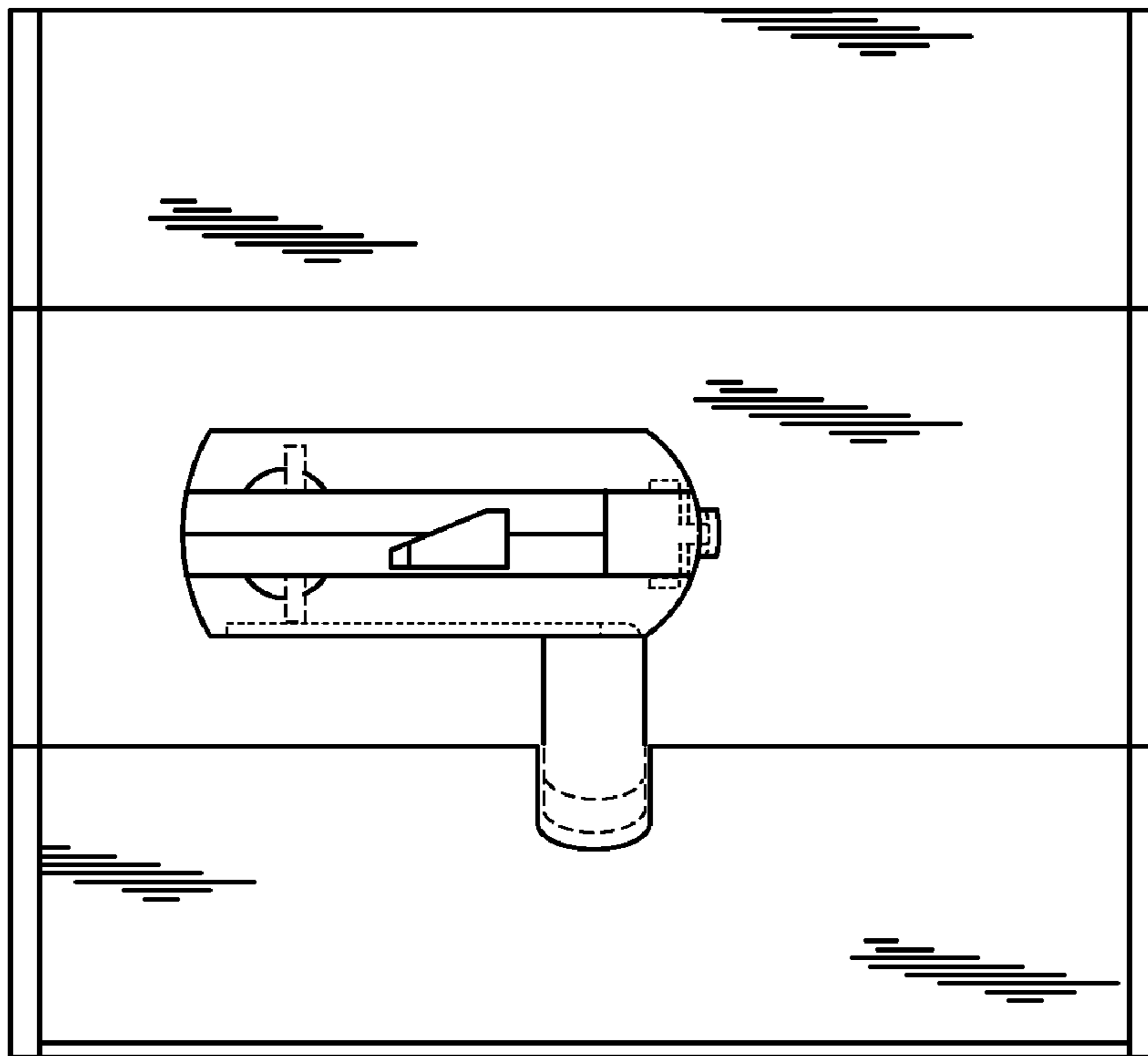


FIG. 5

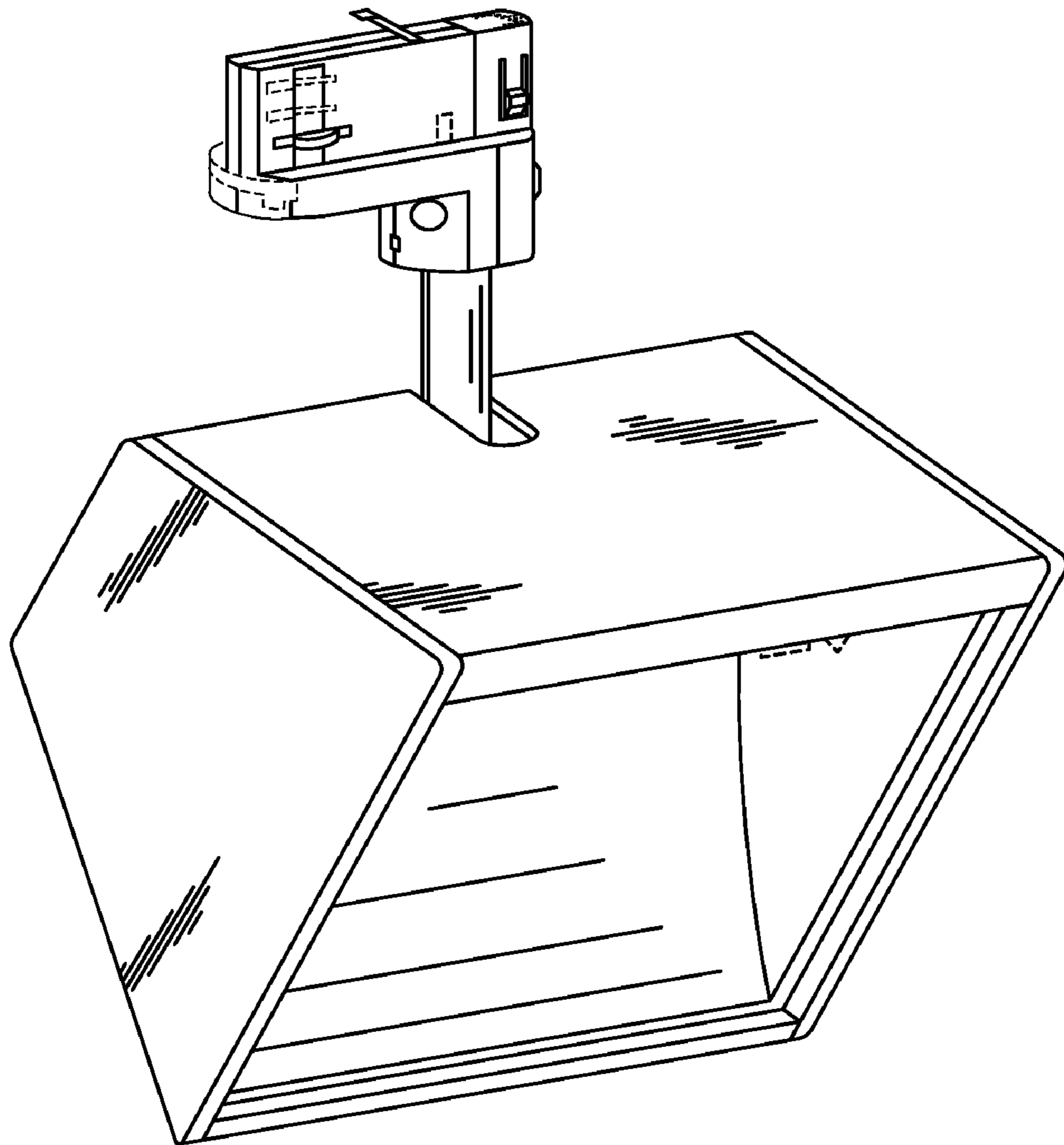


FIG. 6

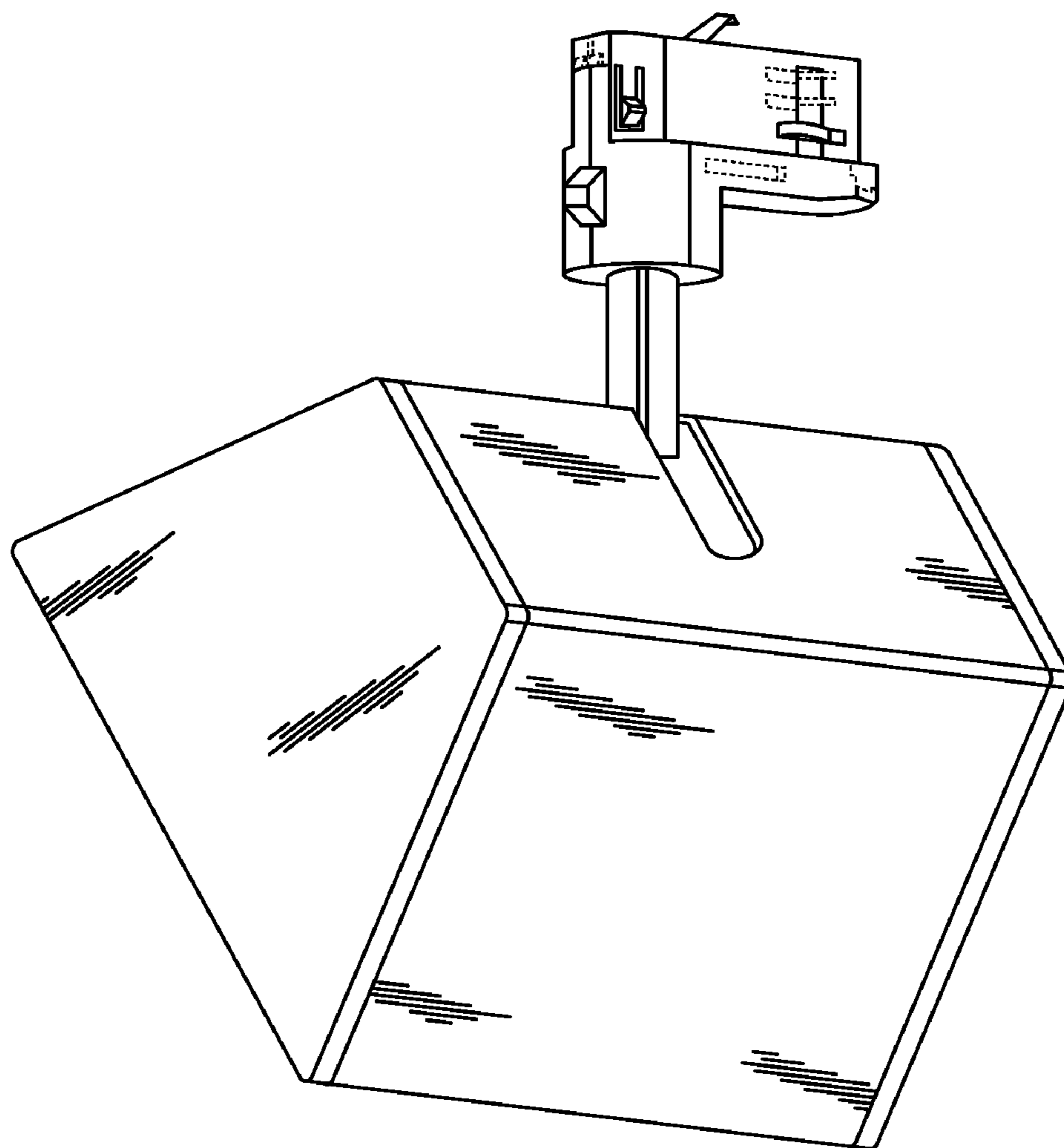


FIG. 7