



US00D640401S

(12) **United States Design Patent**
Wu et al.

(10) **Patent No.:** **US D640,401 S**

(45) **Date of Patent:** **** Jun. 21, 2011**

(54) **PORTABLE SOLAR POWERED LIGHT**

(75) Inventors: **Xianyi Wu**, Luo Hu (CN); **Erica Estrada**, Sunnyvale, CA (US)

(73) Assignee: **D.Light Design Limited**, Kowloon (HK)

(**) Term: **14 Years**

(21) Appl. No.: **29/375,647**

(22) Filed: **Sep. 24, 2010**

(51) **LOC (9) Cl.** **26-02**

(52) **U.S. Cl.** **D26/50**

(58) **Field of Classification Search** D26/37,
D26/40, 38, 41, 43, 44, 46, 48–50; 362/157,
362/158, 183, 184, 186, 194, 195–196, 200–208;
D13/102, 118
See application file for complete search history.

(56) **References Cited**

U.S. PATENT DOCUMENTS

D254,633 S *	4/1980	Simmons	D26/50
D292,321 S *	10/1987	Liu	D26/48
D337,644 S *	7/1993	Stearns et al.	D26/48
D417,922 S *	12/1999	Mulder et al.	D26/50

D452,022 S *	12/2001	Osiecki et al.	D26/48
D567,417 S *	4/2008	Wu et al.	D26/37
D608,921 S *	1/2010	DeBrunner	D26/41
2006/0274520 A1 *	12/2006	Dalton et al.	362/157
2011/0058360 A1 *	3/2011	Taiga	362/158

* cited by examiner

Primary Examiner — Ian Simmons

Assistant Examiner — Carissa C Fitts

(74) *Attorney, Agent, or Firm* — Jones Day; Brett Lovejoy

(57) **CLAIM**

The ornamental design for a portable solar powered light, as shown and described.

DESCRIPTION

FIG. 1 is a front perspective view of an ornamental design for a portable solar powered light according to the present invention;

FIG. 2 is a back perspective view thereof;

FIG. 3 is a front view thereof;

FIG. 4 is a back view thereof;

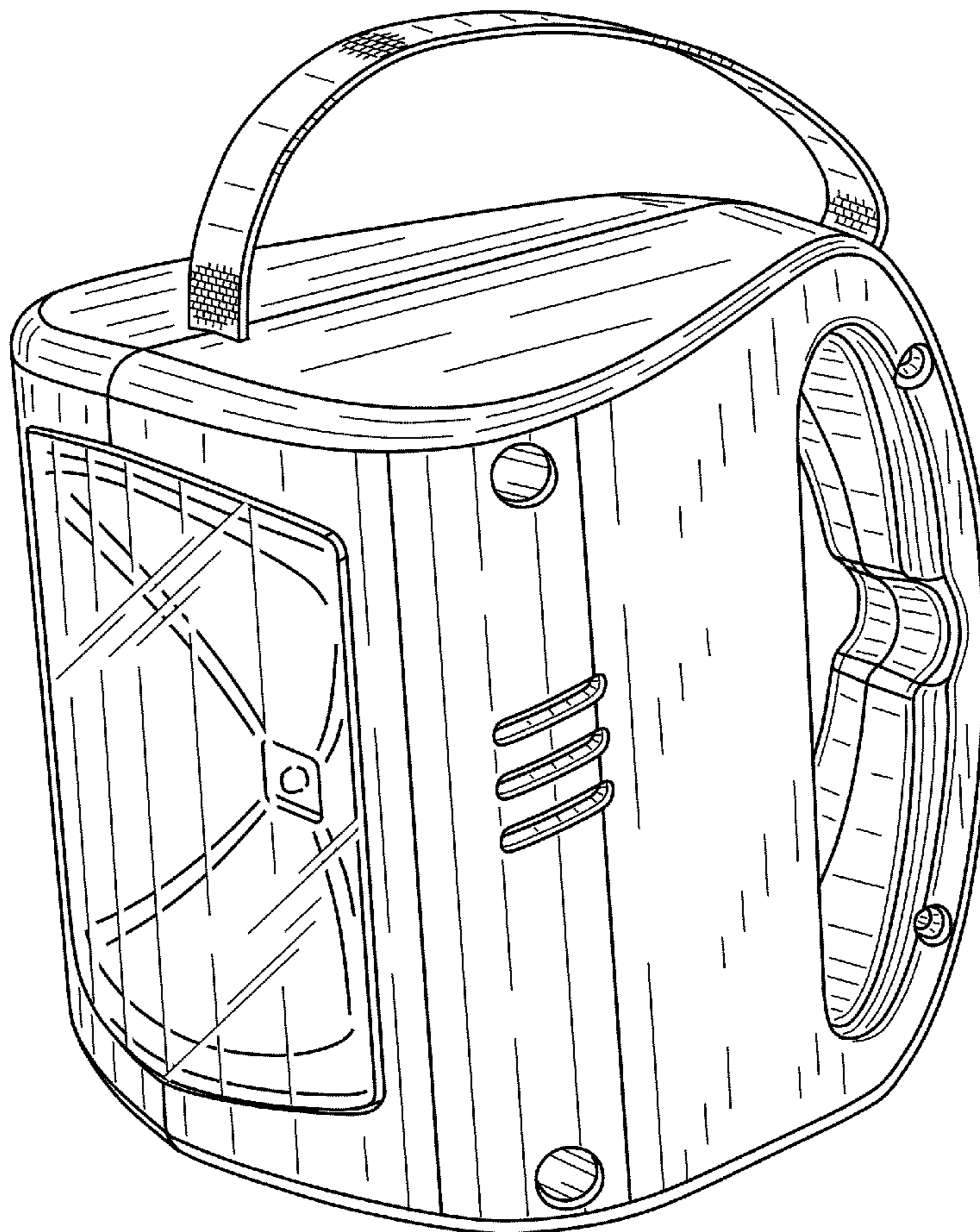
FIG. 5 is a first side view thereof;

FIG. 6 is a second side view thereof;

FIG. 7 is a third side view thereof; and,

FIG. 8 is a fourth side view thereof.

1 Claim, 8 Drawing Sheets



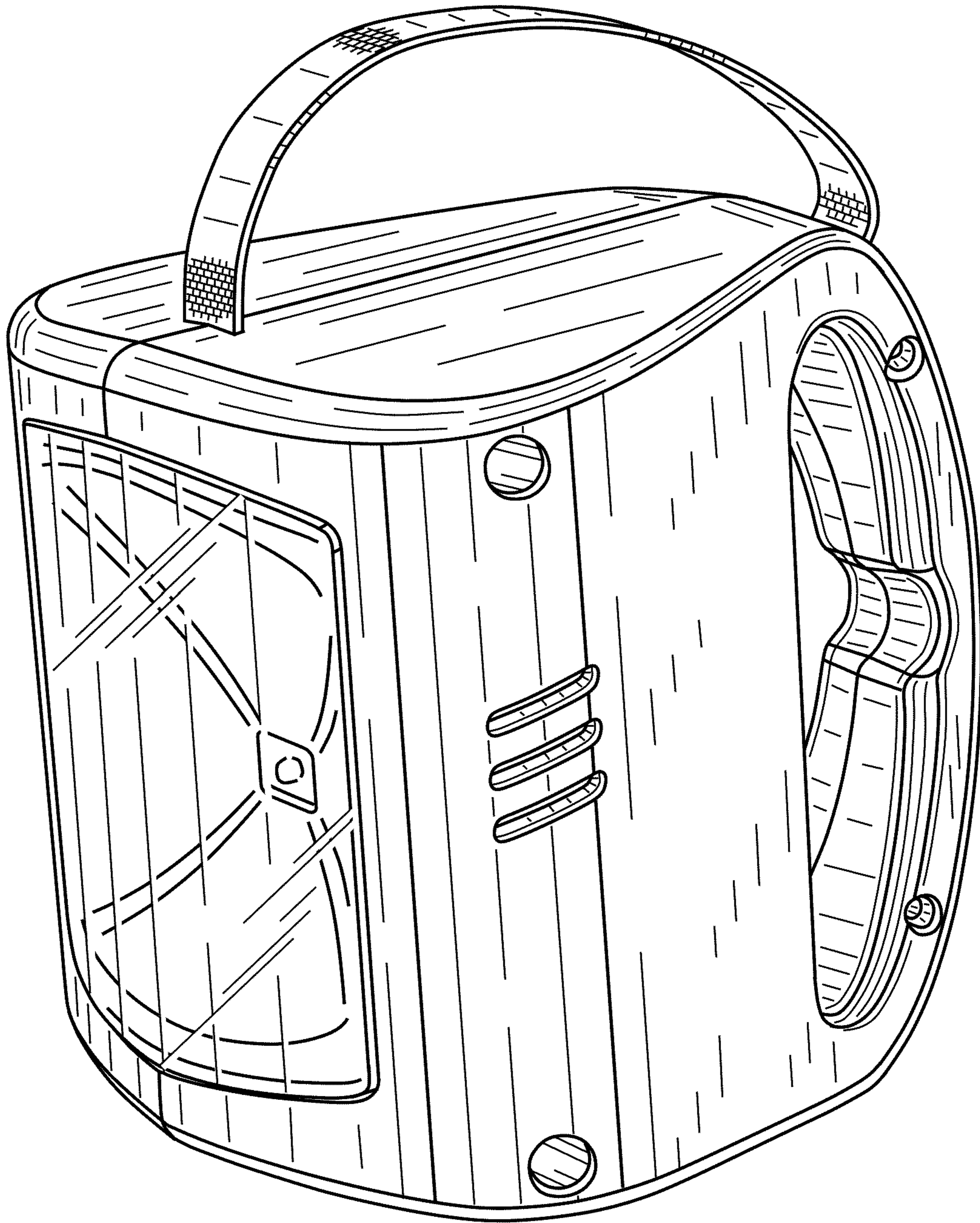


FIG. 1

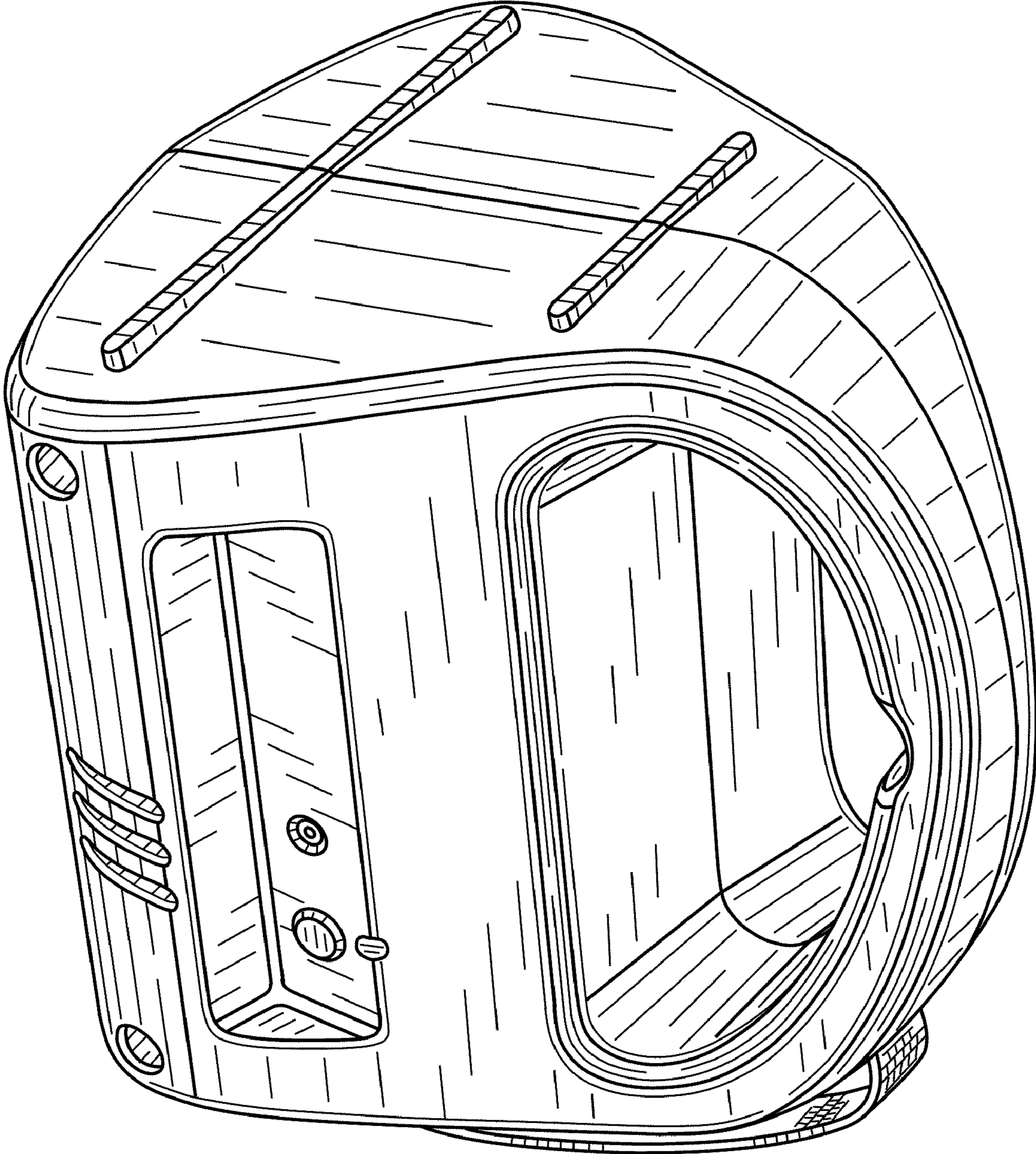


FIG. 2

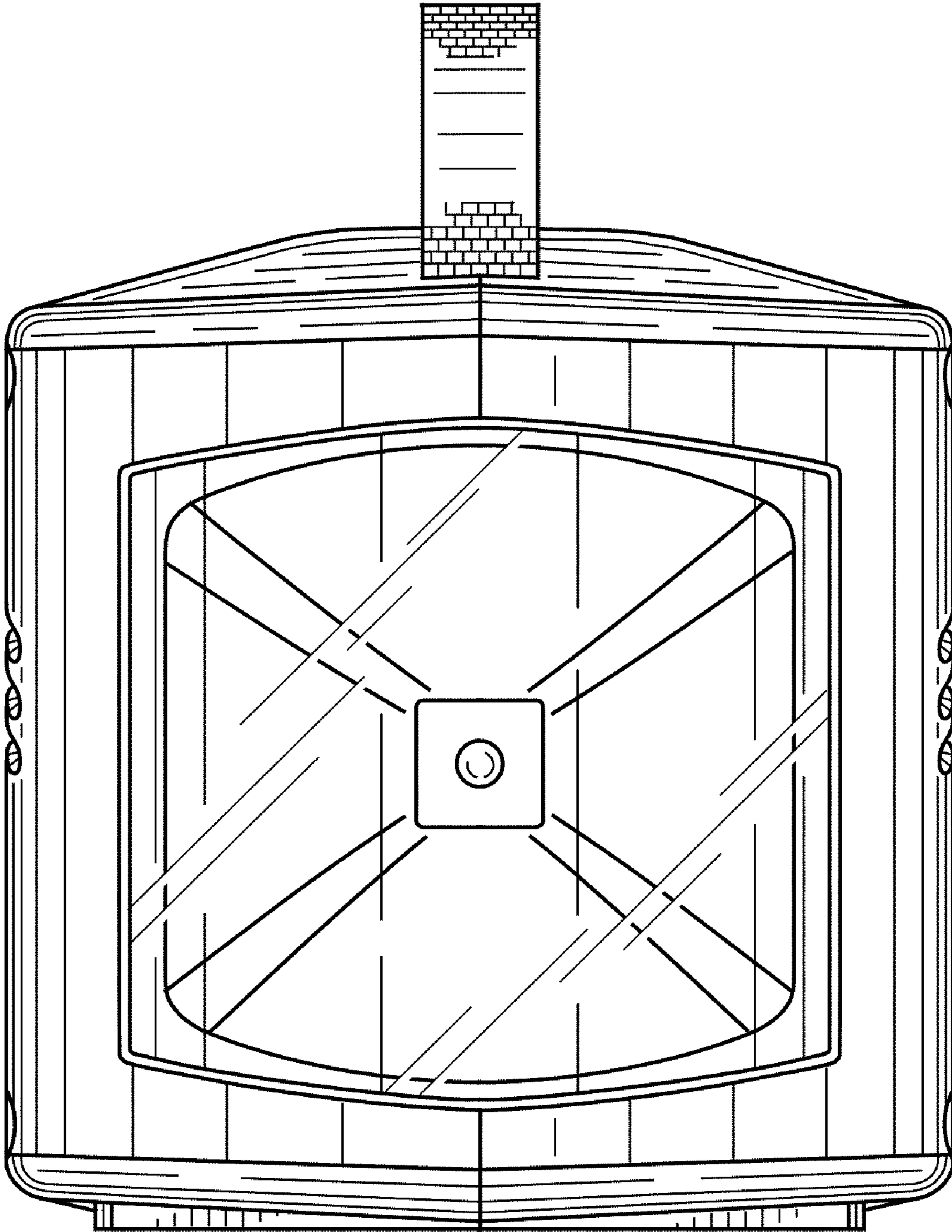


FIG. 3

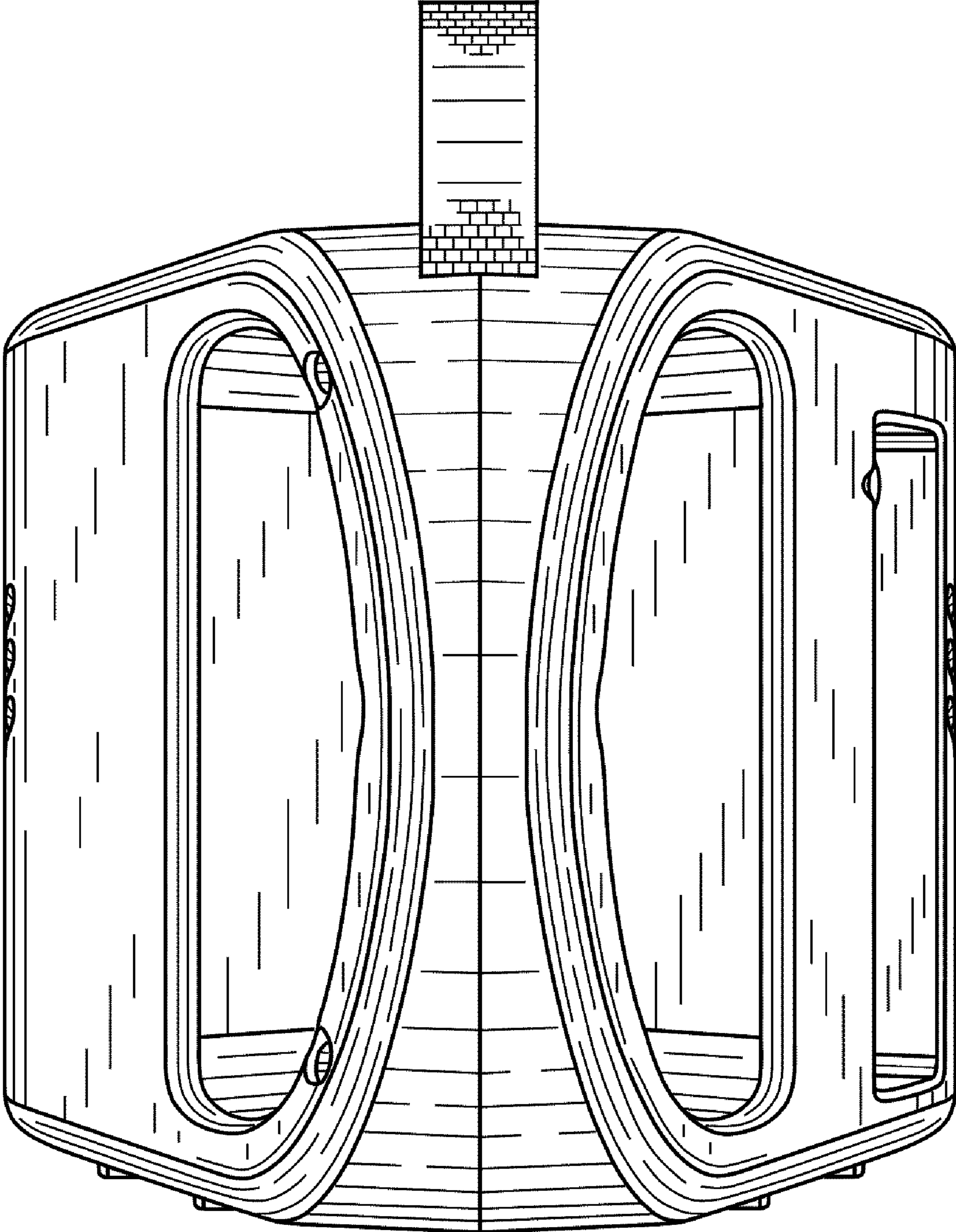


FIG. 4

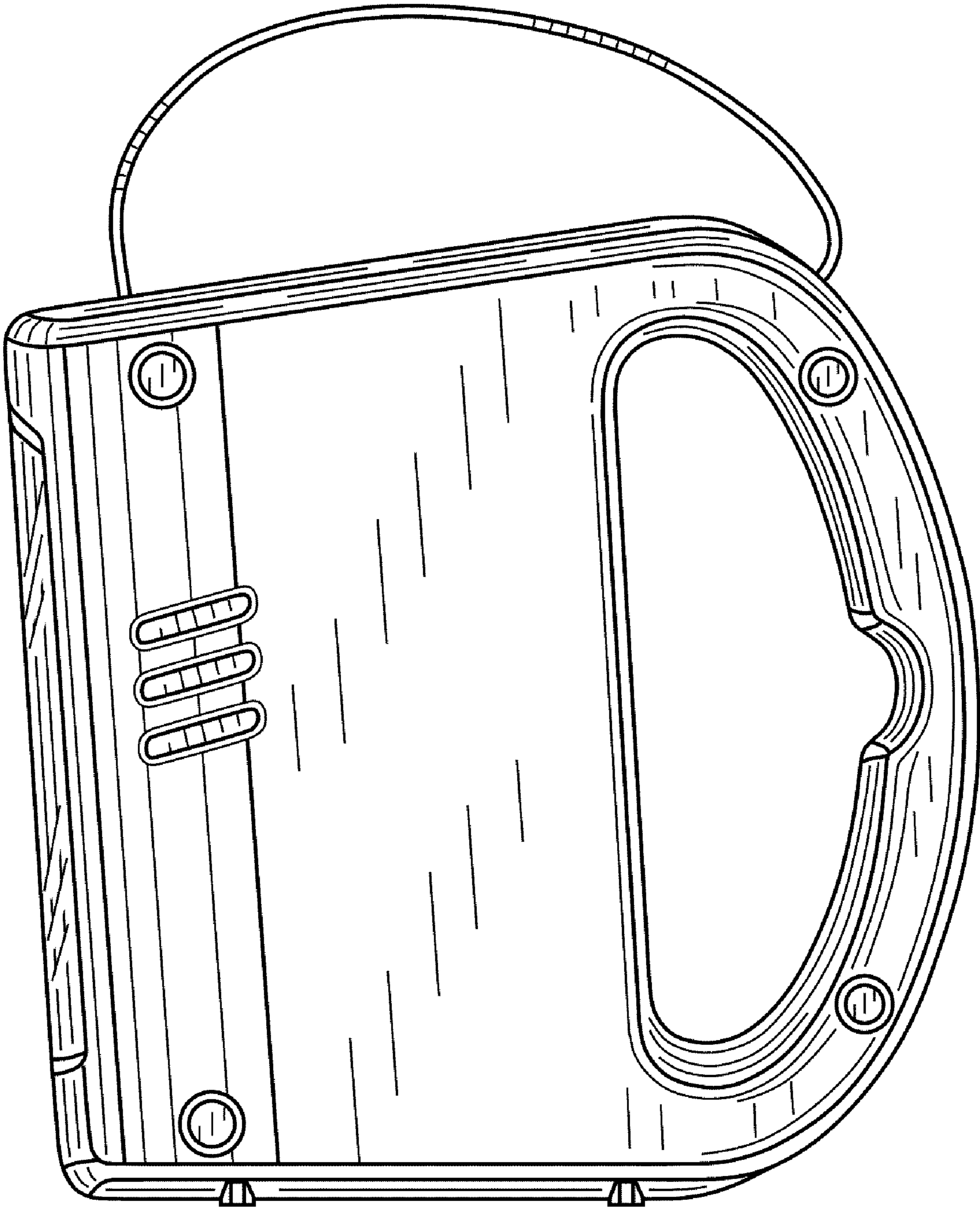


FIG. 5

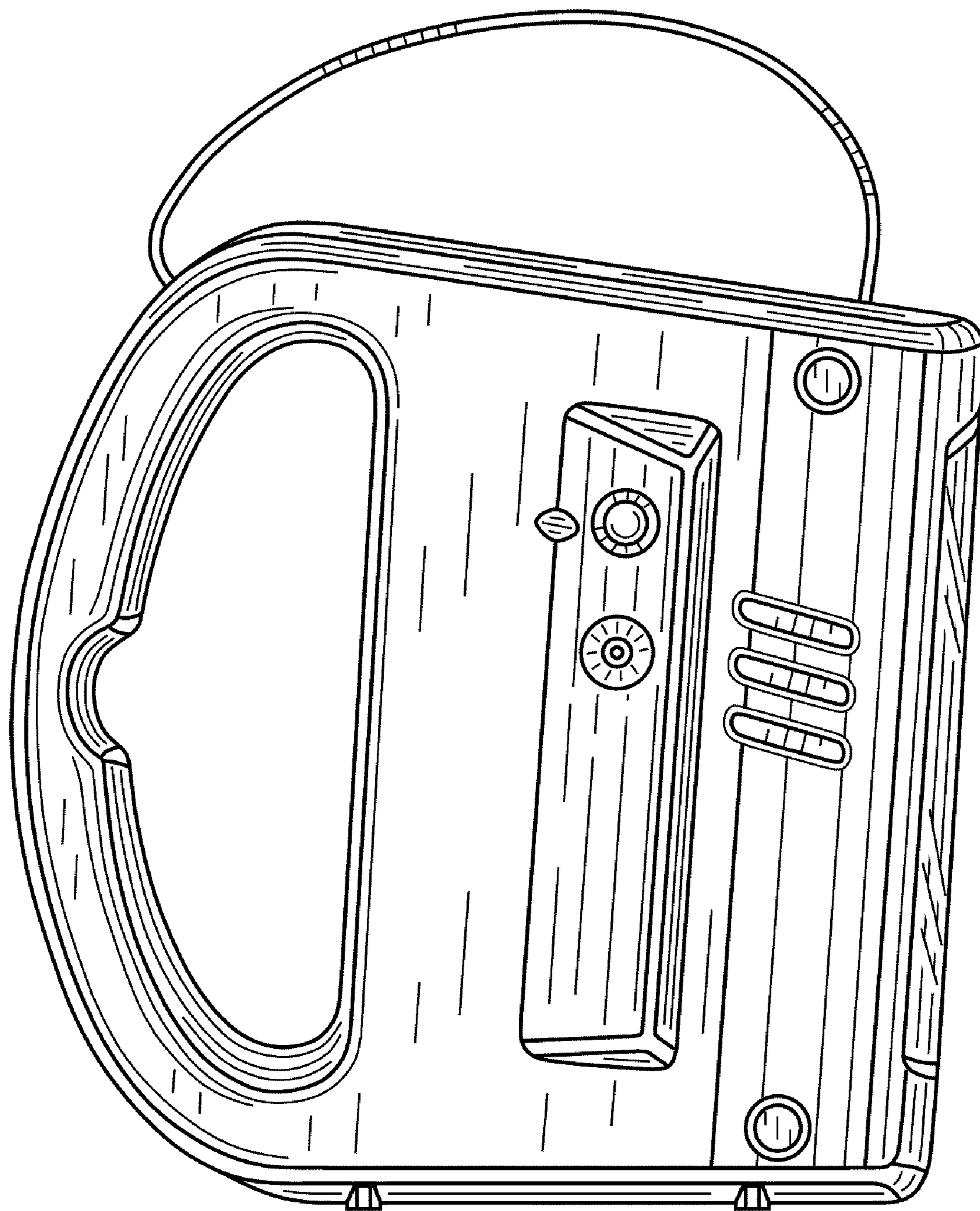


FIG. 6

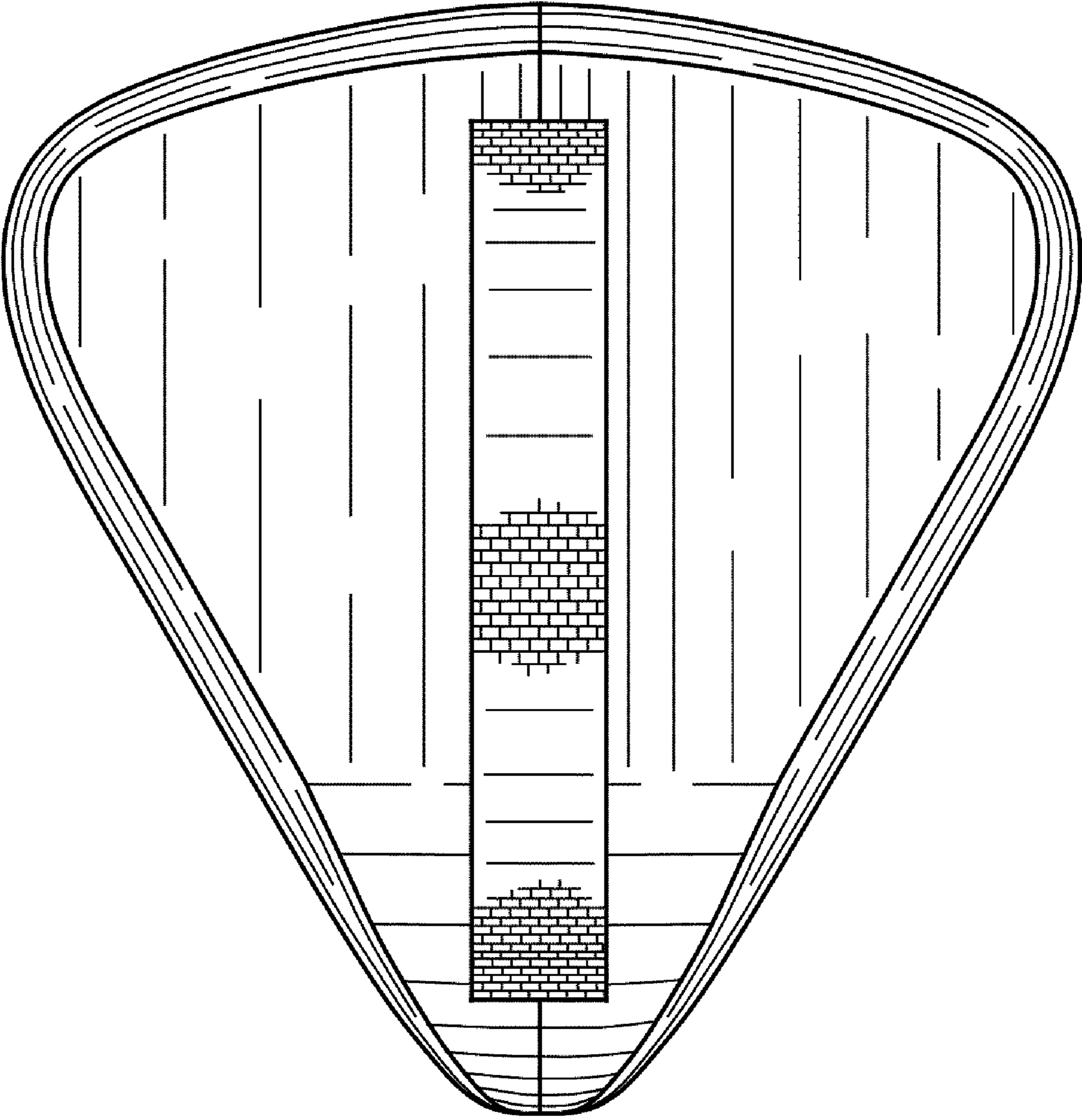


FIG. 7

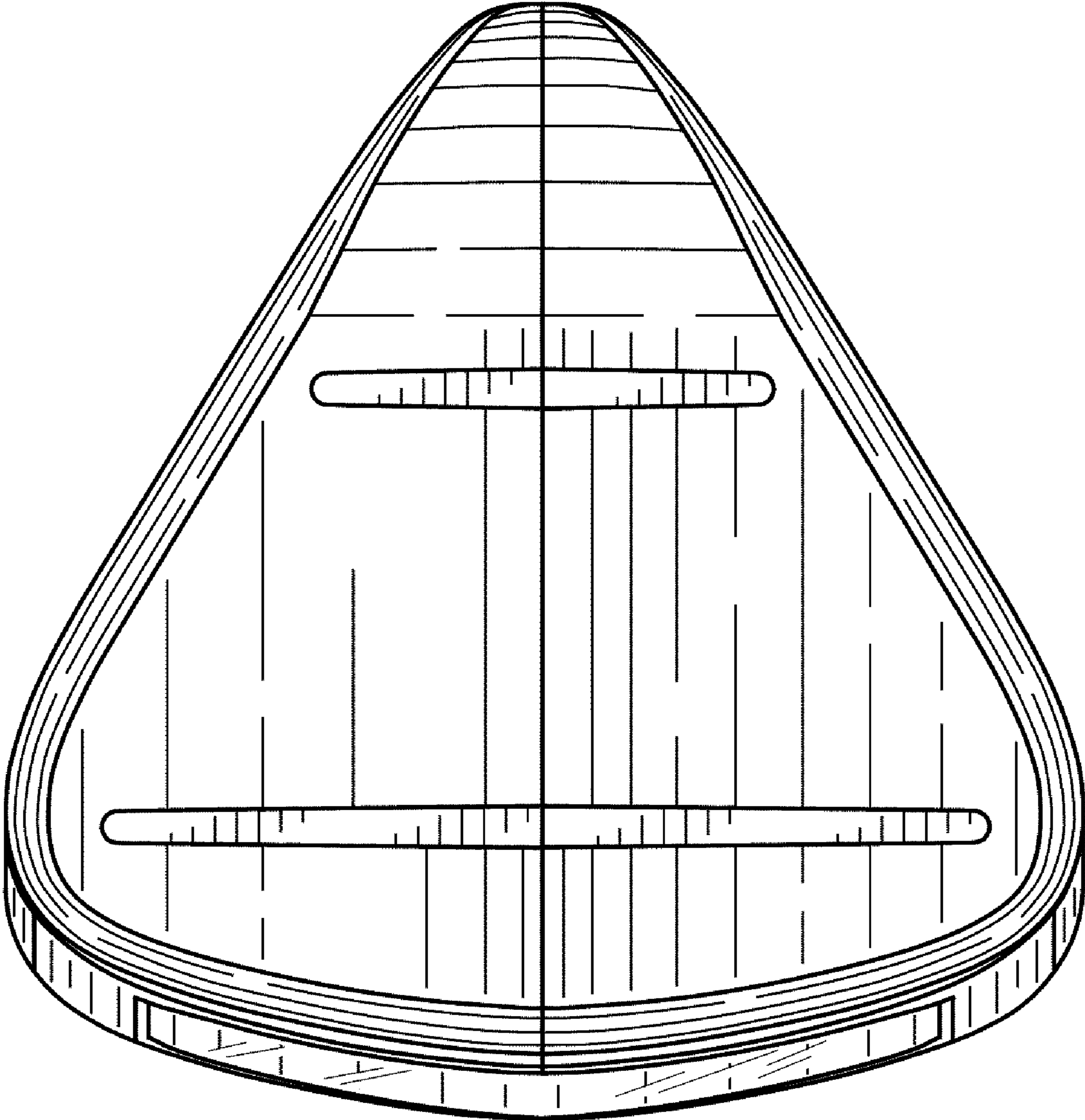


FIG. 8