



US00D640400S

(12) **United States Design Patent**
Huang

(10) **Patent No.:** **US D640,400 S**

(45) **Date of Patent:** **** Jun. 21, 2011**

(54) **PORTABLE LIGHTING DEVICE**

(76) Inventor: **Chia-Ling Huang**, Taichung (TW)

(**) Term: **14 Years**

(21) Appl. No.: **29/372,149**

(22) Filed: **Oct. 22, 2010**

(51) **LOC (9) Cl.** **26-02**

(52) **U.S. Cl.** **D26/49; D26/42**

(58) **Field of Classification Search** D26/37,
D26/38, 46, 49, 50, 48, 42; 362/157, 158,
362/183, 194-199, 202-208, 184
See application file for complete search history.

(56) **References Cited**

U.S. PATENT DOCUMENTS

D367,721	S	*	3/1996	Maglica	D26/49
5,836,672	A	*	11/1998	Maglica et al.	362/183
D505,217	S	*	5/2005	Bayat et al.	D26/42
D540,484	S	*	4/2007	Bayat et al.	D26/42
D556,926	S	*	12/2007	Thirouin	D26/37
D577,844	S	*	9/2008	Shiu	D26/49
D593,695	S	*	6/2009	Levine	D26/42

D595,440	S	*	6/2009	Rivera et al.	D26/49
D620,627	S	*	7/2010	Kovacik et al.	D26/42
2006/0039139	A1	*	2/2006	Maglica et al.	362/202

* cited by examiner

Primary Examiner — Ian Simmons

Assistant Examiner — Carissa C Fitts

(74) *Attorney, Agent, or Firm* — Charles E. Baxley

(57) **CLAIM**

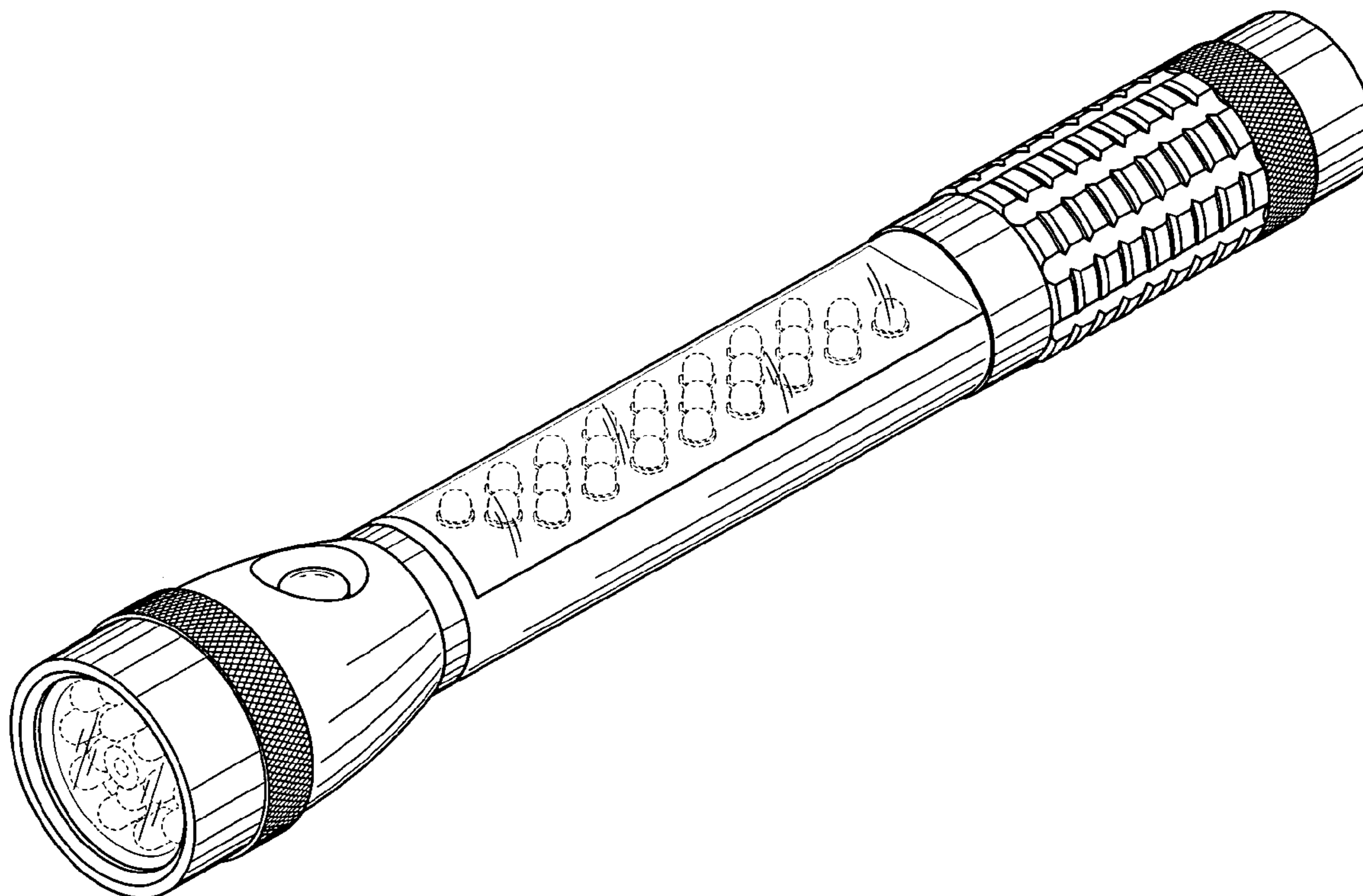
The ornamental design for a portable lighting device, as shown and described.

DESCRIPTION

FIG. 1 is a perspective view of a portable lighting device showing our new design thereof;
FIG. 2 is a front elevational view thereof;
FIG. 3 is a rear elevational view thereof;
FIG. 4 is a left side elevational view thereof;
FIG. 5 is a right side elevational view thereof;
FIG. 6 is a top plan view thereof; and,
FIG. 7 is a bottom plan view thereof.

The broken line showing is for environmental purposes only and forms no part of the claimed design.

1 Claim, 4 Drawing Sheets



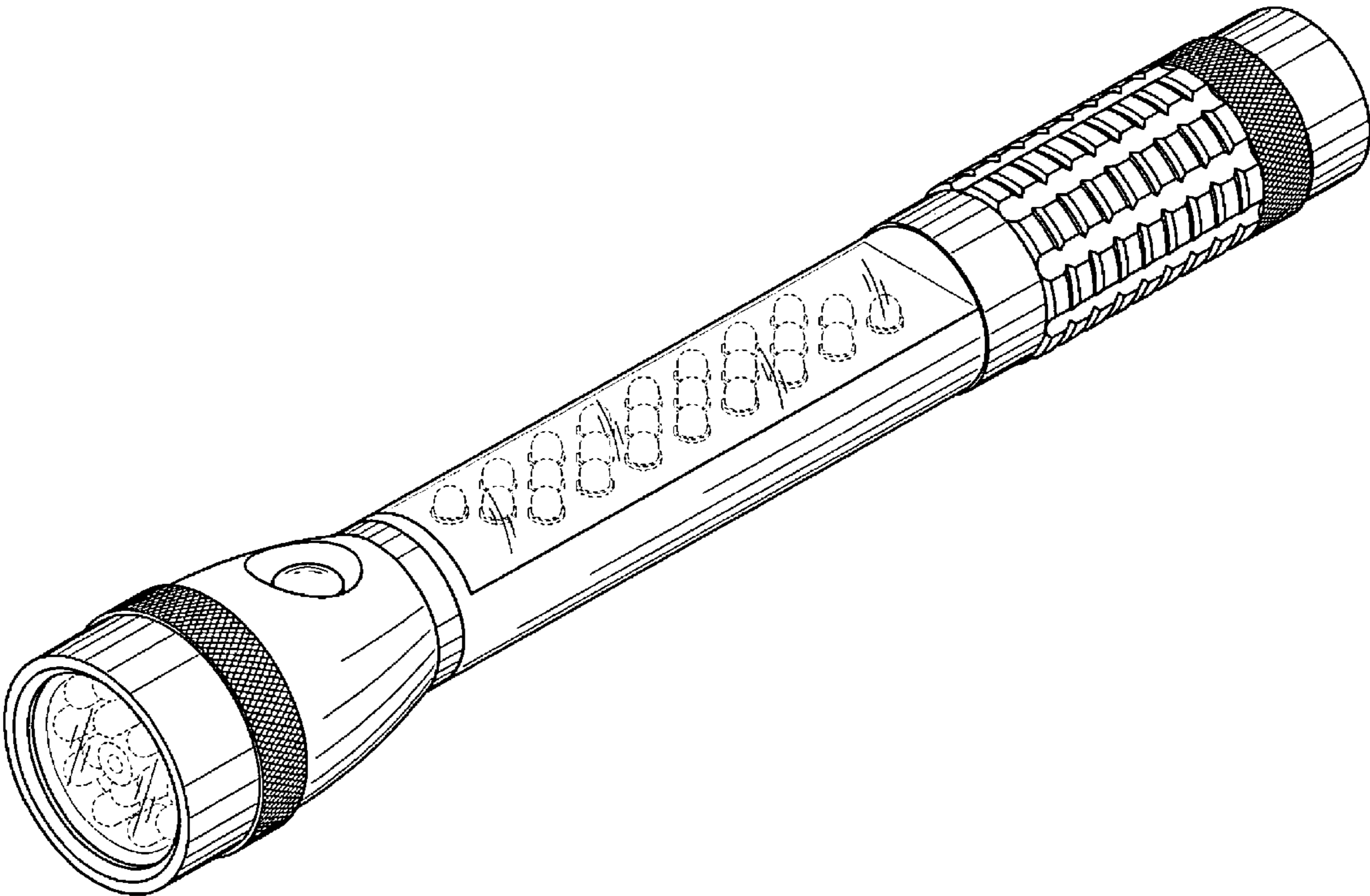


FIG. 1

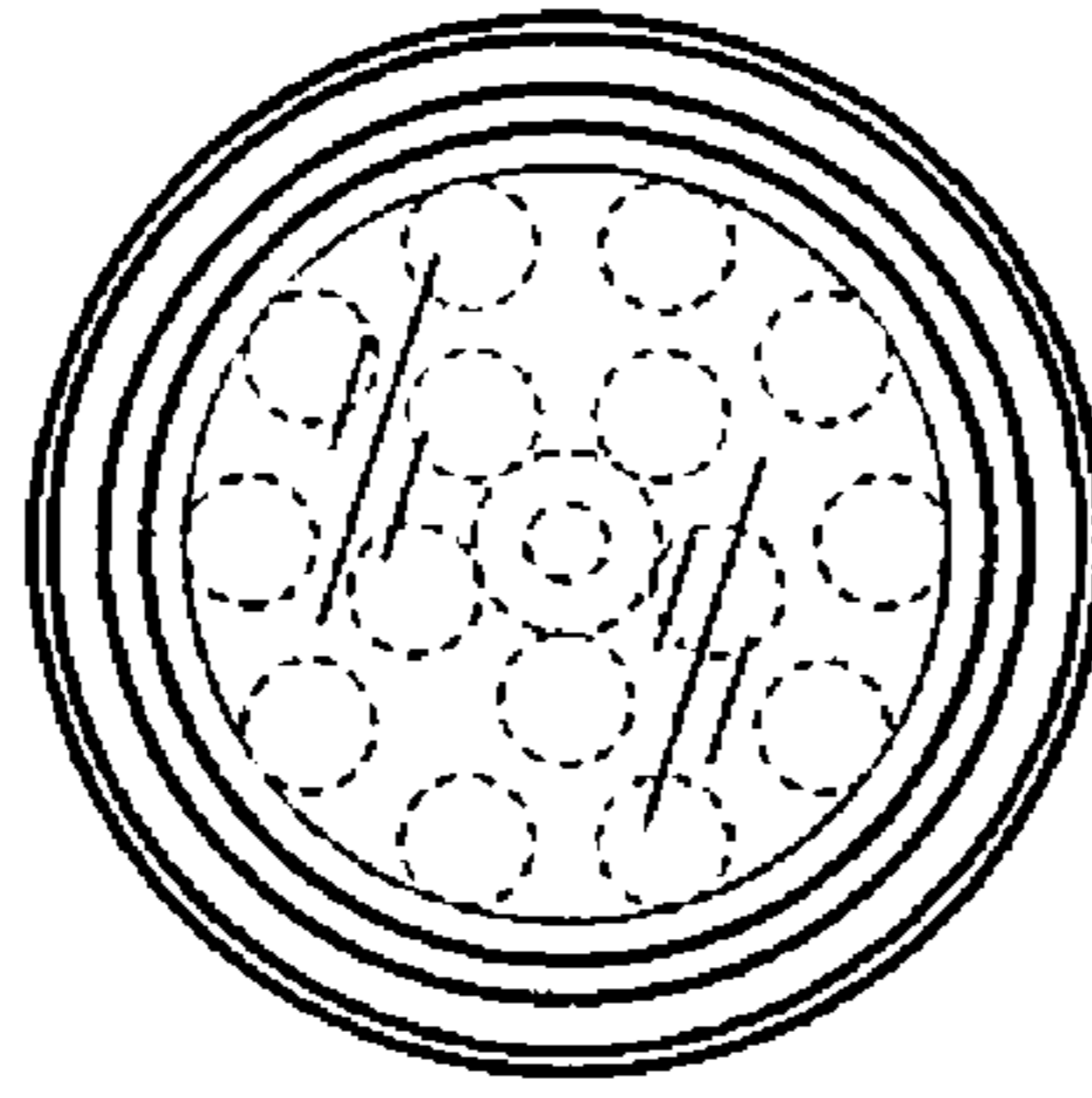


FIG. 2

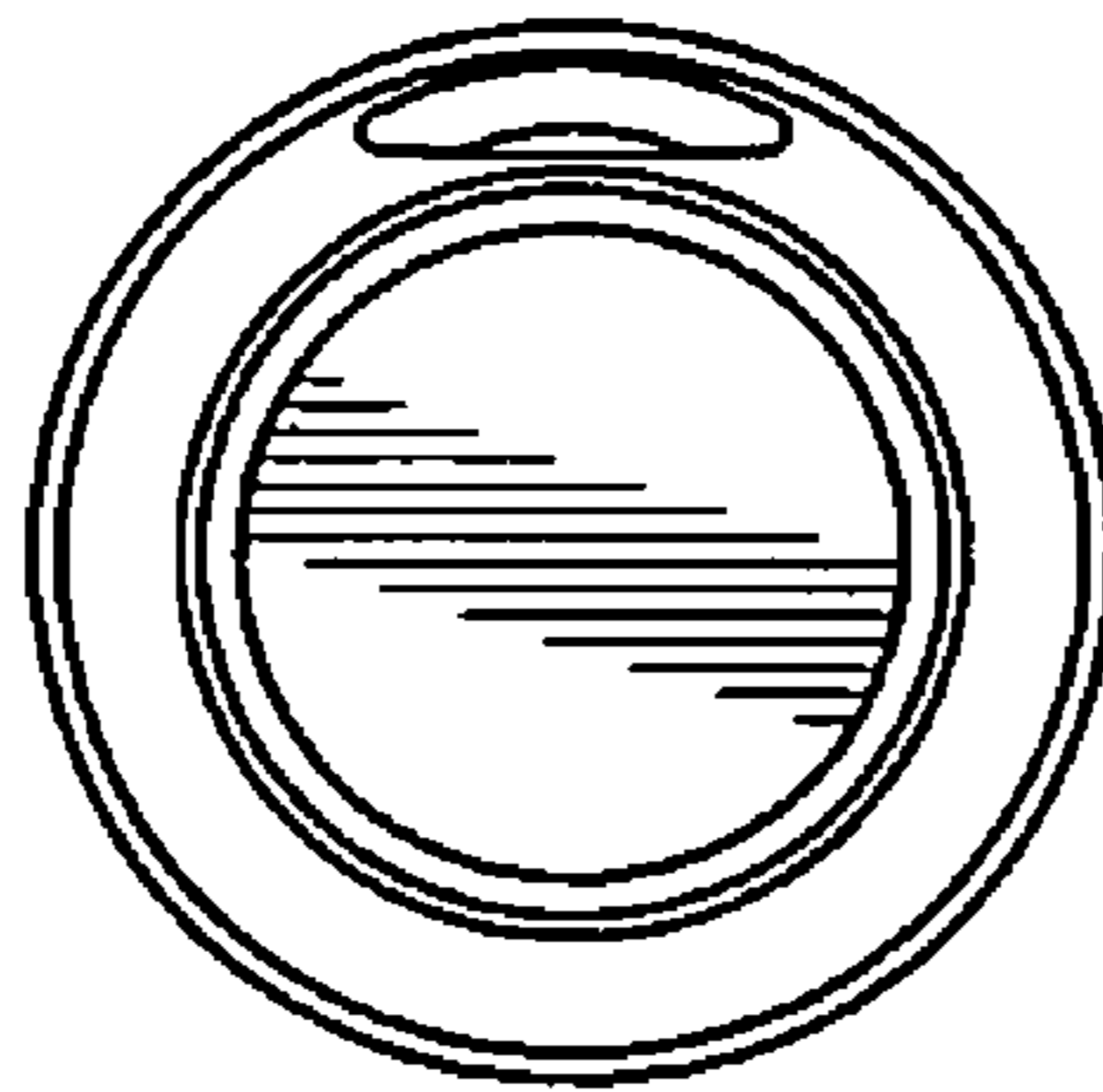


FIG. 3

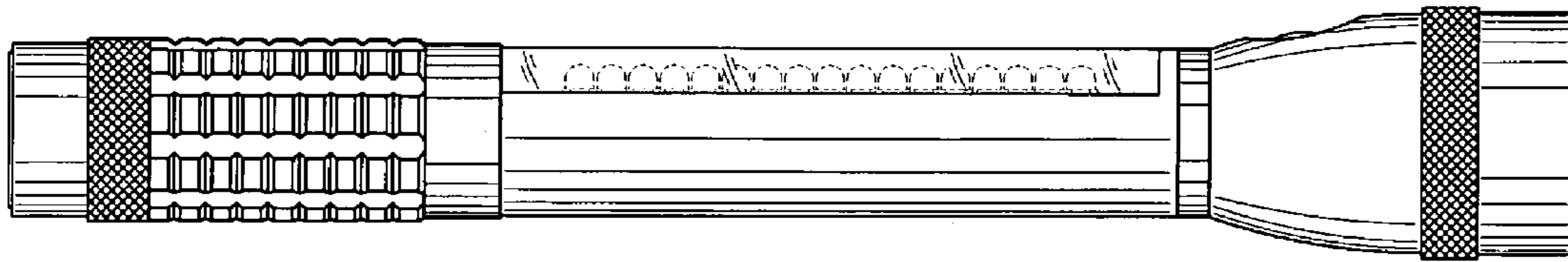


FIG. 4

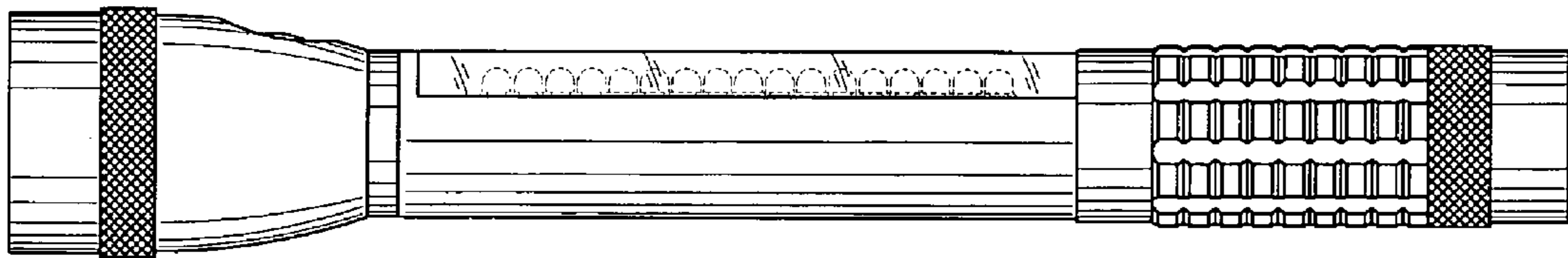


FIG. 5

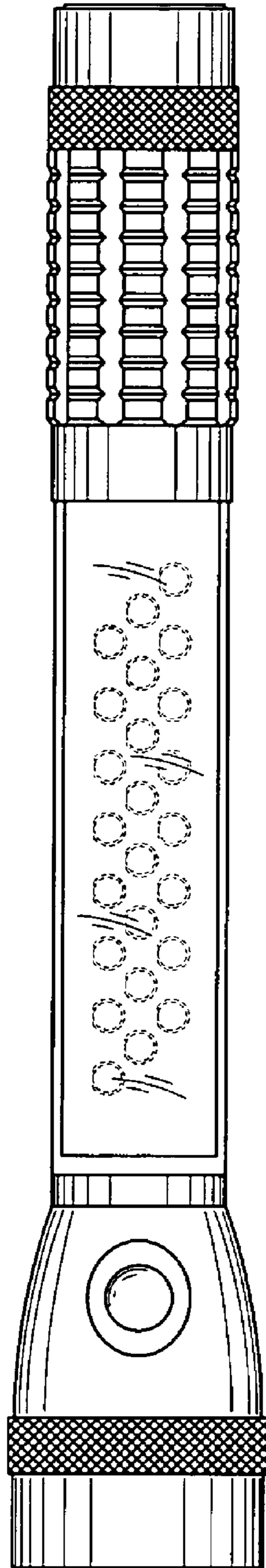


FIG. 6

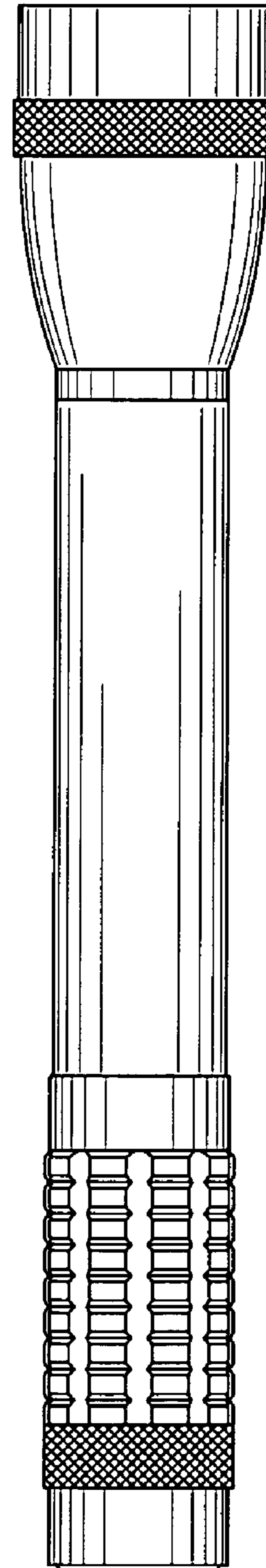


FIG. 7