



US00D640398S

(12) **United States Design Patent**
Molina et al.

(10) **Patent No.:** **US D640,398 S**

(45) **Date of Patent:** **** Jun. 21, 2011**

(54) **CLAMP WITH SQUARE LAMP**

(75) Inventors: **Francisco Molina**, Davie, FL (US);
Glenn Robinson, Coral Springs, FL (US)

(73) Assignee: **IBT Holdings, LLC**, Deerfield Beach, FL (US)

(**) Term: **14 Years**

(21) Appl. No.: **29/367,131**

(22) Filed: **Aug. 3, 2010**

(51) **LOC (9) Cl.** **26-02**

(52) **U.S. Cl.** **D26/38; D26/51**

(58) **Field of Classification Search** D26/37,
D26/38, 39, 44, 46, 49, 51, 60, 61; 362/105,
362/106, 157, 158, 183, 184, 187, 191, 194,
362/195–199, 202–208, 253

See application file for complete search history.

(56) **References Cited**

U.S. PATENT DOCUMENTS

D163,892 S *	7/1951	Mitchell, Jr.	D8/394
D279,612 S *	7/1985	Bacevius	D26/138
D346,149 S *	4/1994	Deering	D13/120
D349,971 S *	8/1994	Stekelenburg	D26/60
D356,391 S *	3/1995	Sugiura et al.	D26/138
D360,952 S *	8/1995	Lee	D26/60
D371,614 S *	7/1996	Lai	D26/28
D436,374 S *	1/2001	Mershon	D19/34
D439,356 S *	3/2001	Martinson et al.	D26/63
D439,487 S *	3/2001	Renner	D8/72
D463,051 S *	9/2002	Shiu	D26/38
D476,208 S *	6/2003	Lee	D8/52
D481,606 S *	11/2003	Ben-Gigi	D8/72
D514,915 S *	2/2006	Wang	D8/72
D535,773 S *	1/2007	Kessler	D26/60
D542,447 S *	5/2007	Krieger et al.	D26/46
D609,376 S *	2/2010	Cristoforo et al.	D26/38
D626,673 S *	11/2010	Kovacik et al.	D26/42
D628,323 S *	11/2010	Matthews et al.	D26/24

* cited by examiner

Primary Examiner — Ian Simmons

Assistant Examiner — Carissa C Fitts

(74) *Attorney, Agent, or Firm* — Steven M. Greenberg, Esq.;
Carey Rodriguez Greenberg & Paul LLP

(57) **CLAIM**

The ornamental design for a clamp with square lamp, as shown and described.

DESCRIPTION

FIG. 1 is a front perspective view of a clamp with square lamp when closed according to our new design.

FIG. 2 is a rear perspective view of the clamp with square lamp when closed.

FIG. 3 is a front view of the clamp with square lamp when closed.

FIG. 4 is a rear view of the clamp with square lamp when closed.

FIG. 5 is a left side view of the clamp with square lamp when closed.

FIG. 6 is a right side view of the clamp with square lamp when closed.

FIG. 7 is a top view of the clamp with square lamp when closed.

FIG. 8 is a bottom view of the clamp with square lamp when closed.

FIG. 9 is a front perspective view of the clamp with square lamp when opened according to our new design.

FIG. 10 is a rear perspective view of the clamp with square lamp when opened.

FIG. 11 is a front view of the clamp with square lamp when opened.

FIG. 12 is a rear view of the clamp with square lamp when opened.

FIG. 13 is a left side view of the clamp with square lamp when opened.

FIG. 14 is a right side view of the clamp with square lamp when opened.

FIG. 15 is a top view of the clamp with square lamp when opened; and,

FIG. 16 is a bottom view of the clamp with square lamp when opened.

This design is directed to a clamp with square lamp.

1 Claim, 16 Drawing Sheets

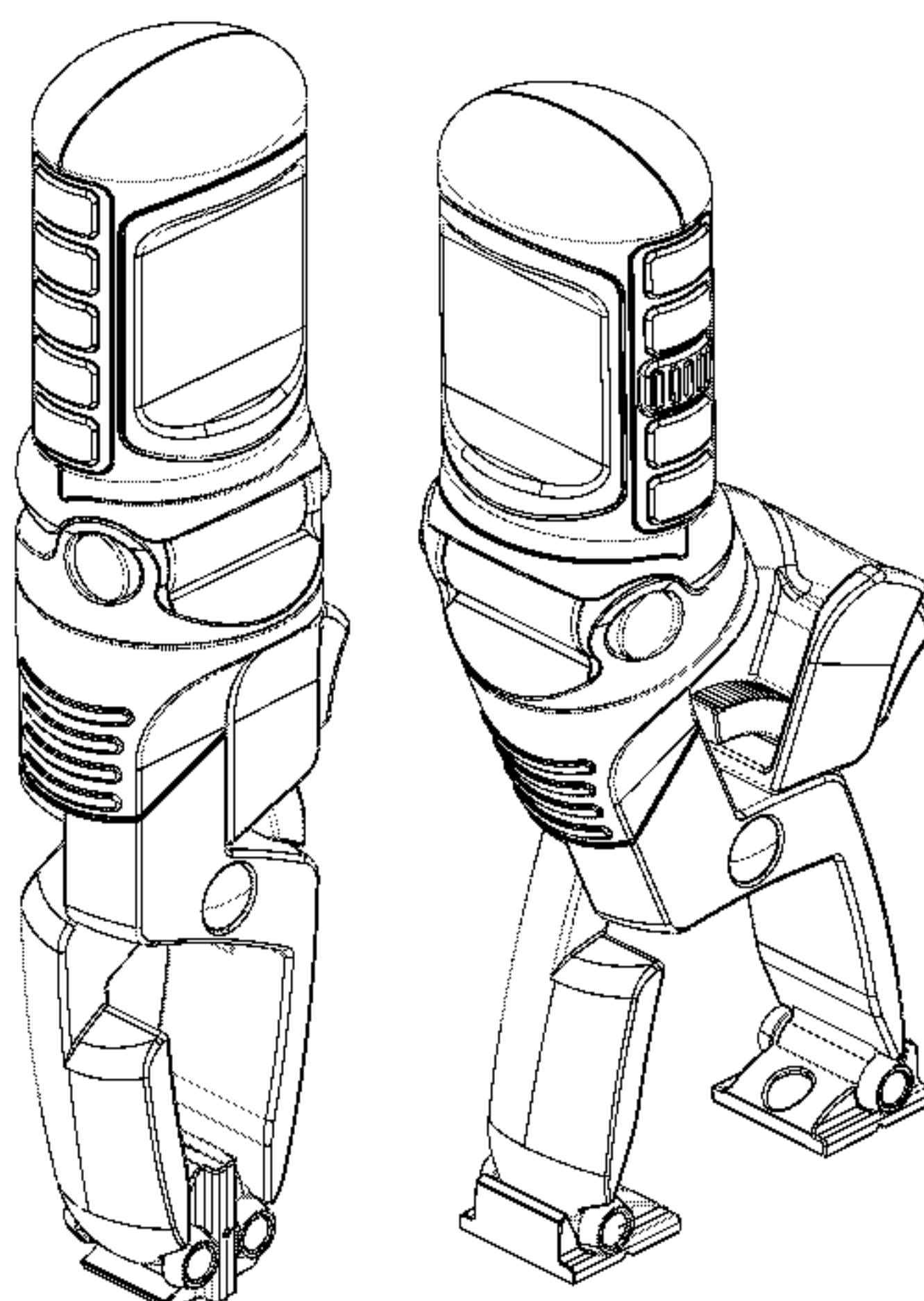


FIG. 1

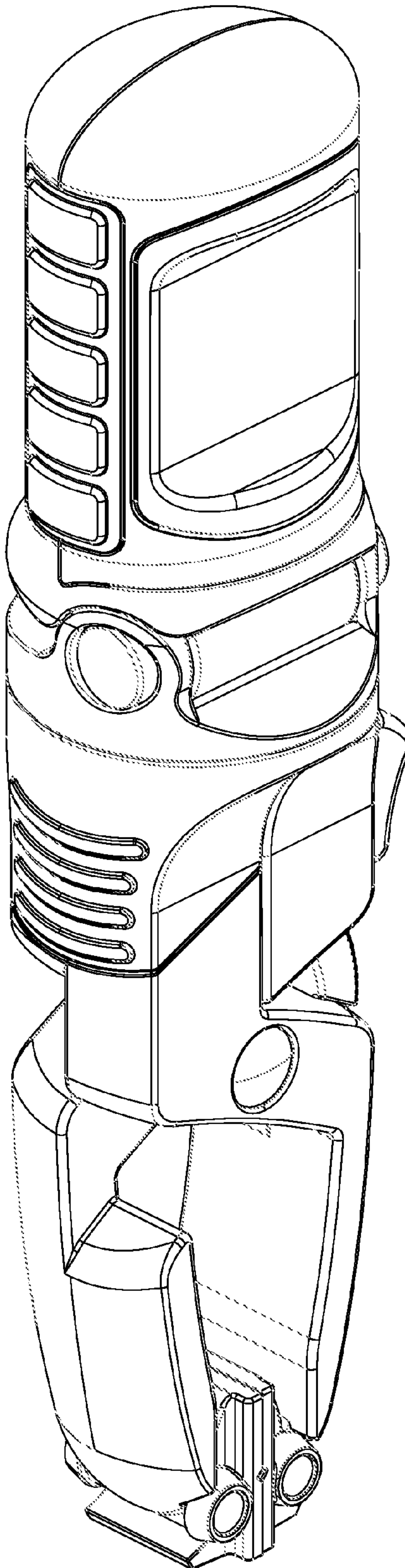


FIG. 2

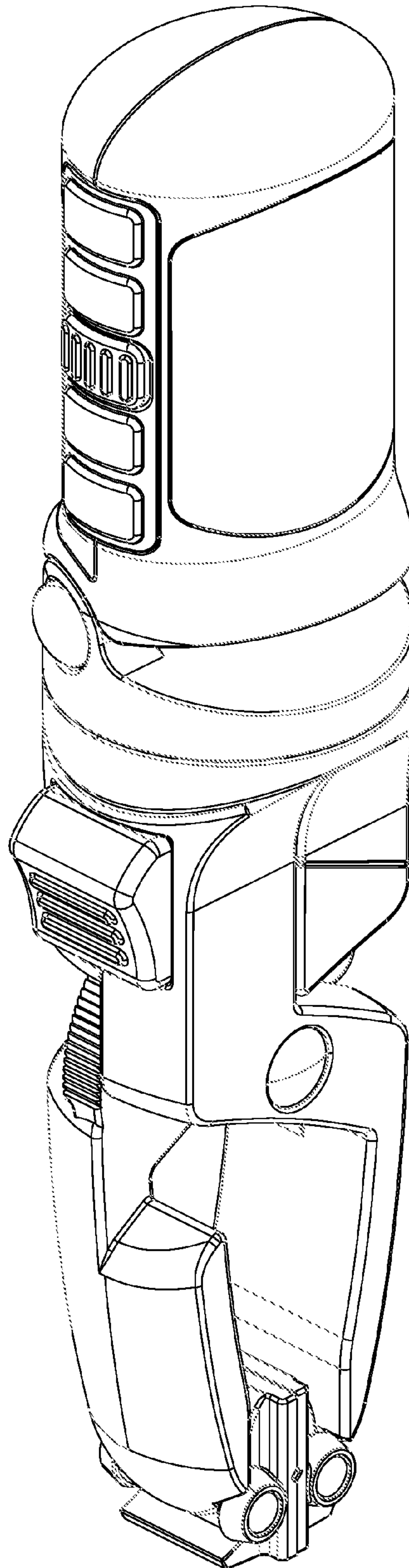


FIG. 3

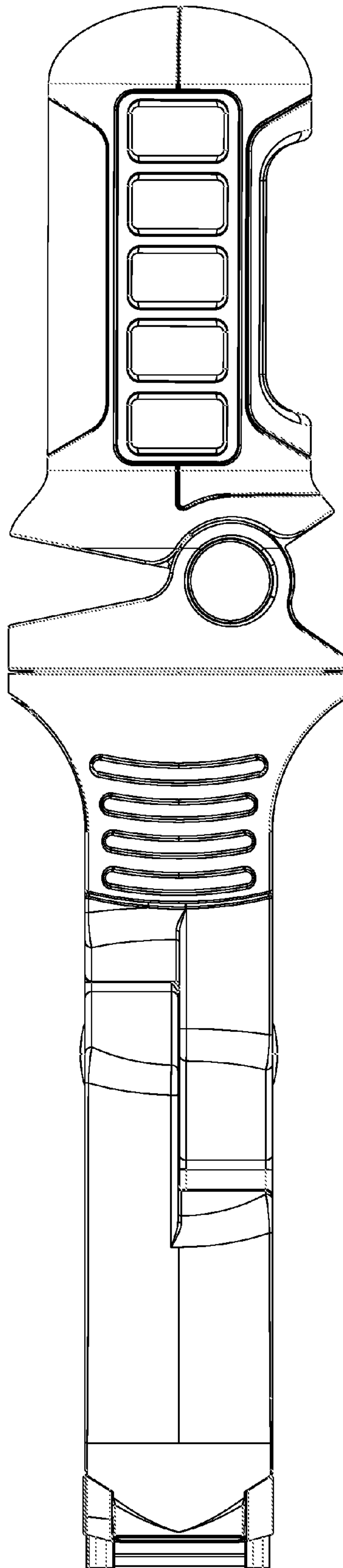


FIG. 4

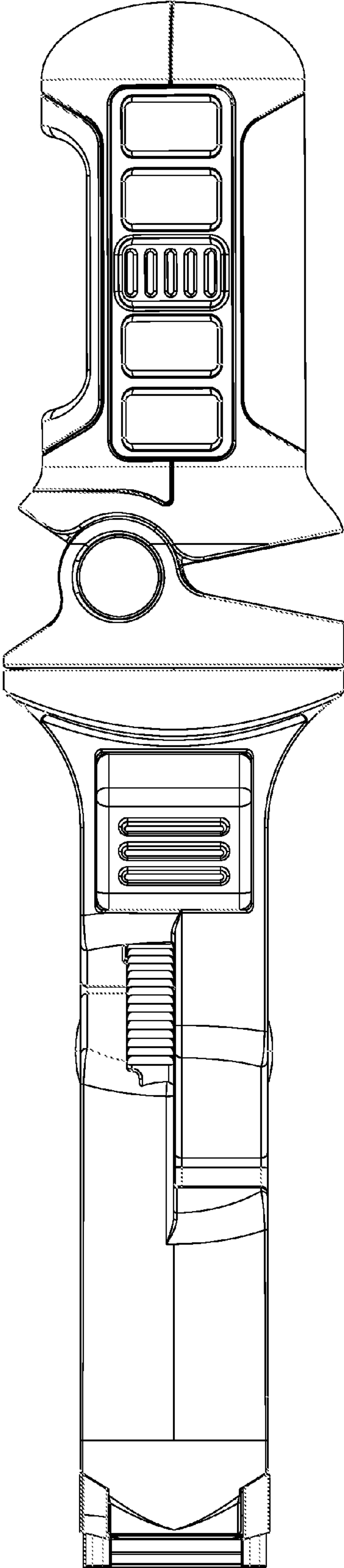


FIG. 5

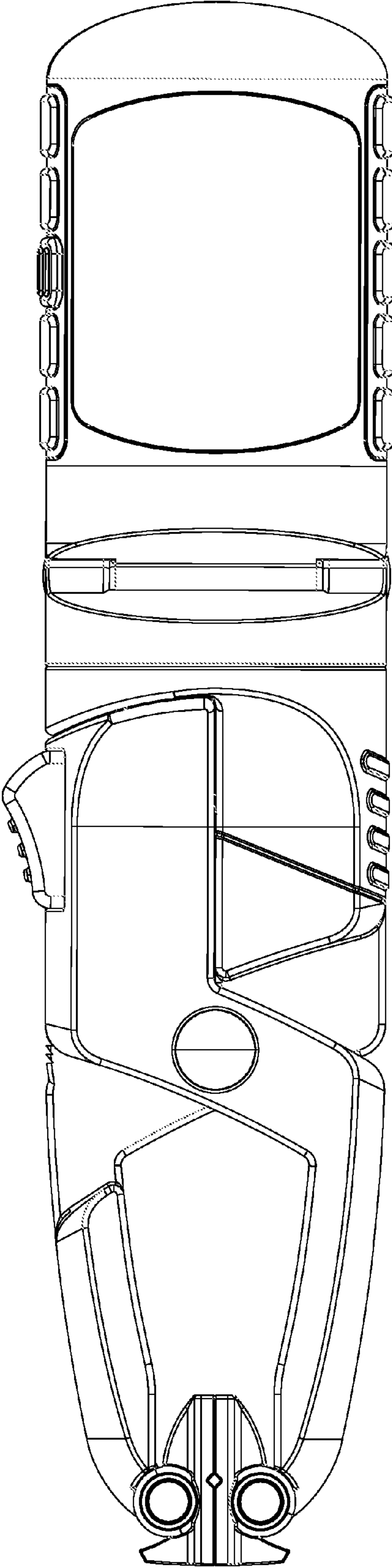


FIG. 6

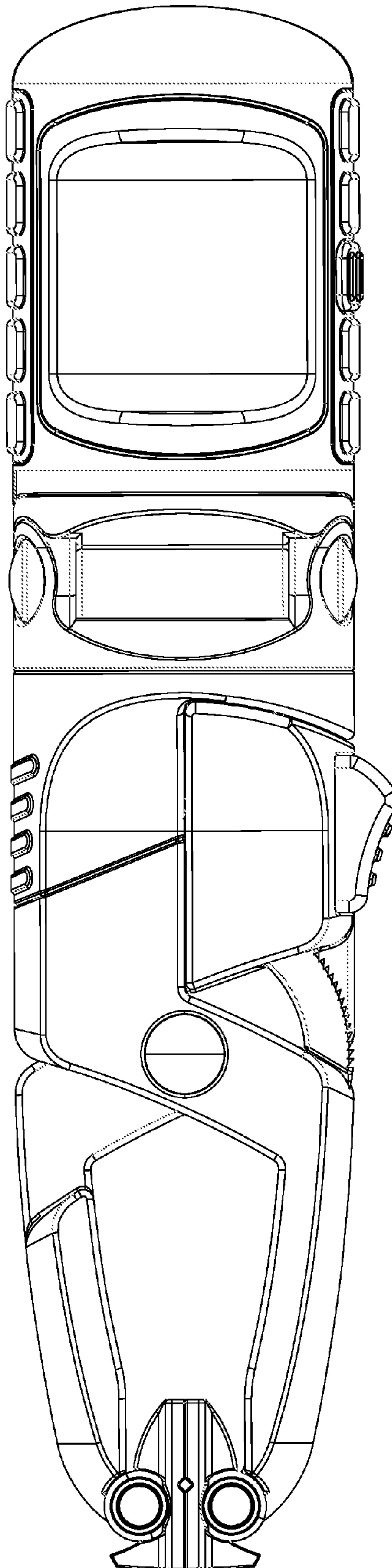


FIG. 7

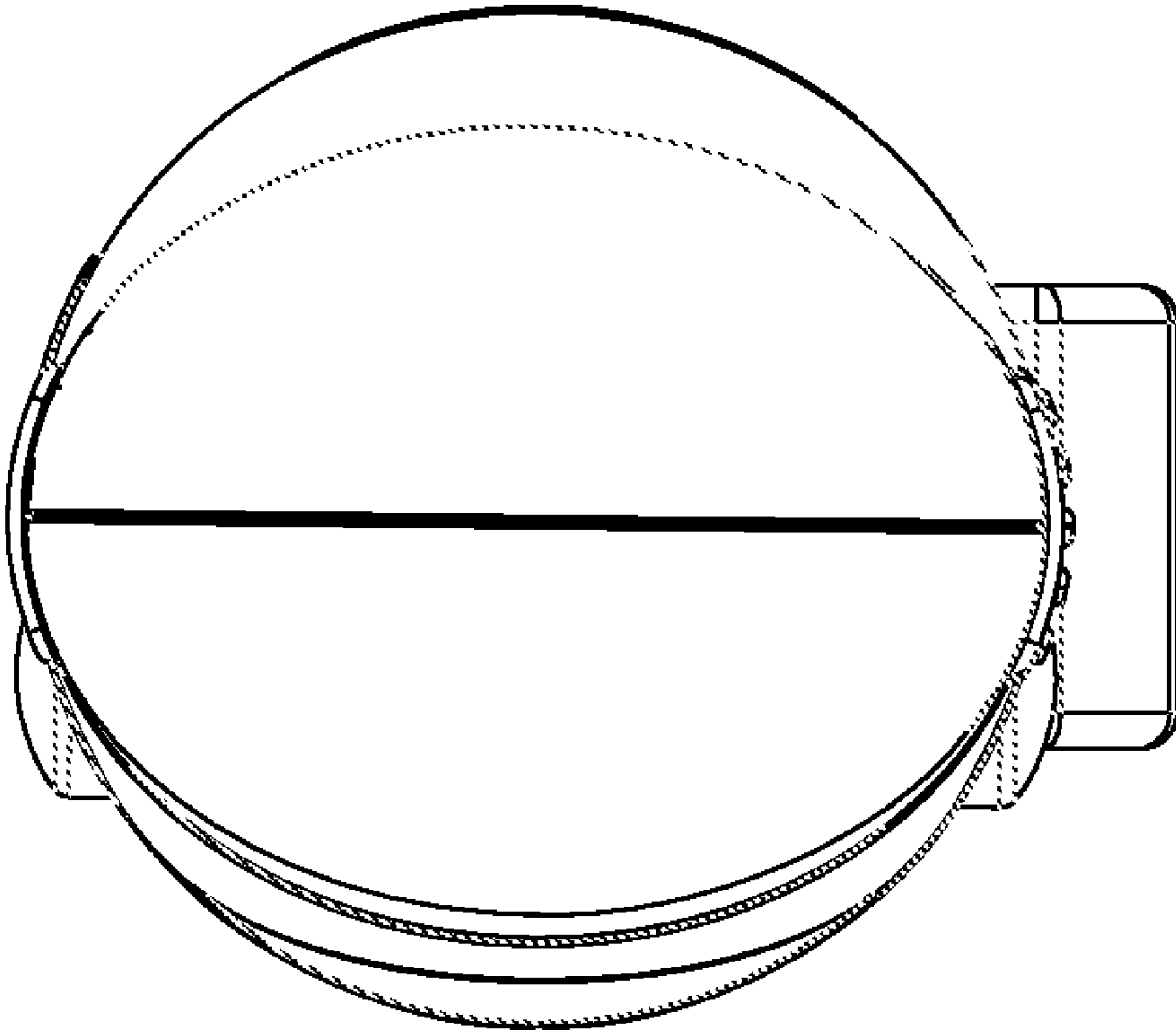


FIG. 8

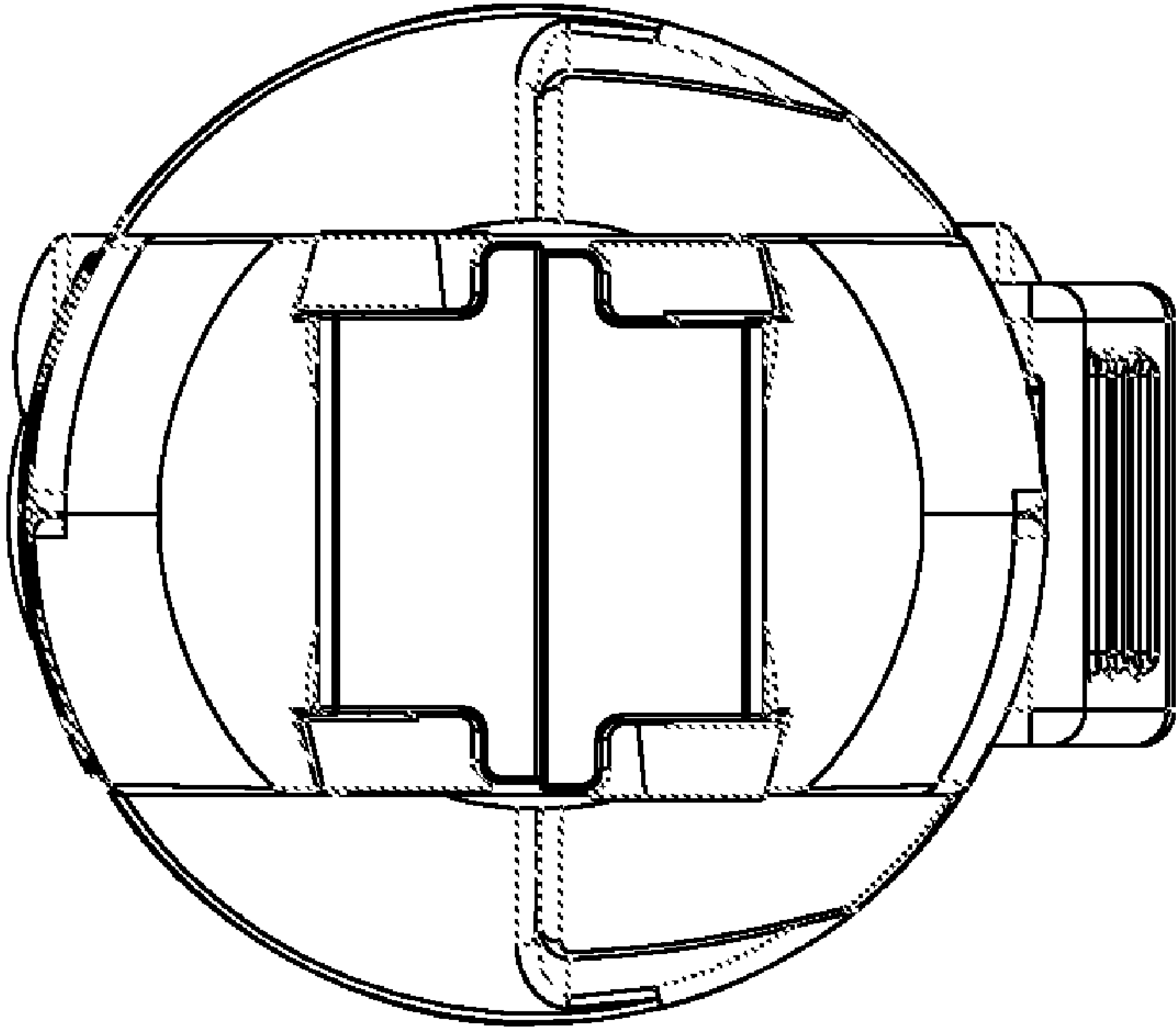


FIG. 9

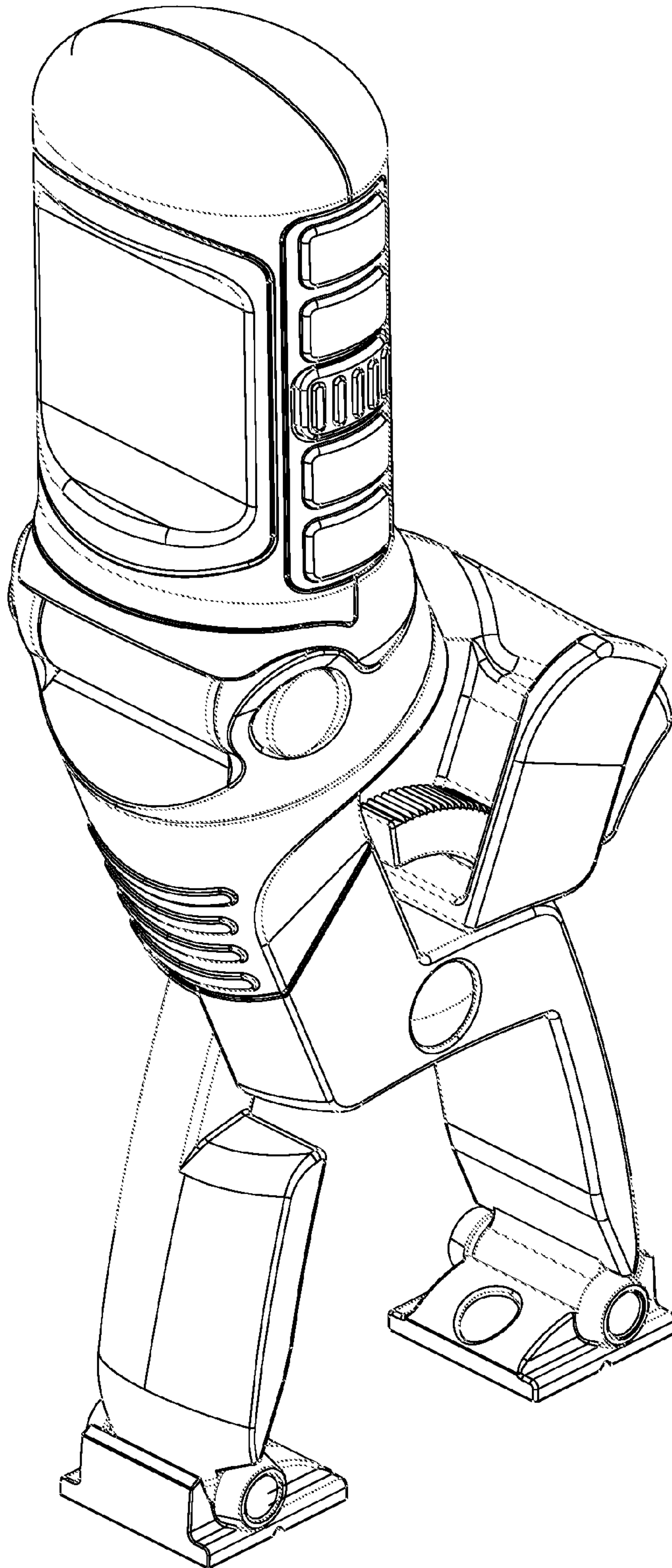


FIG. 10

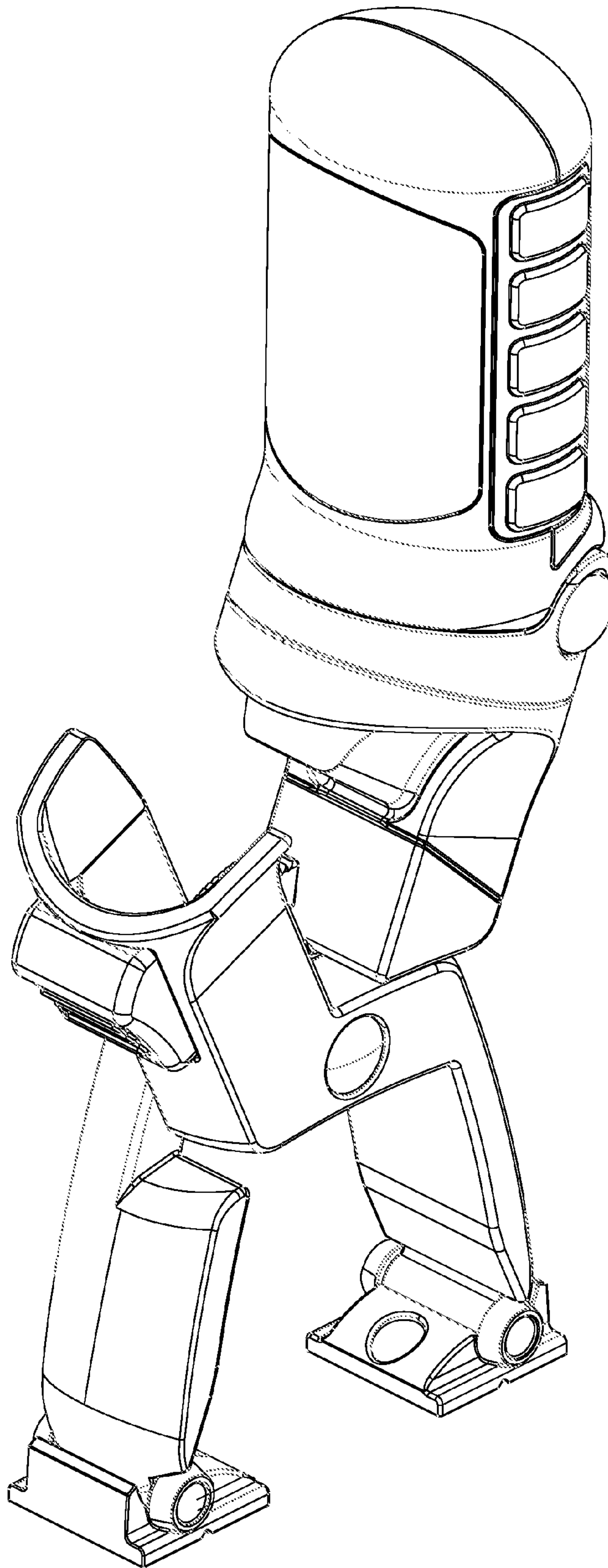


FIG. 11

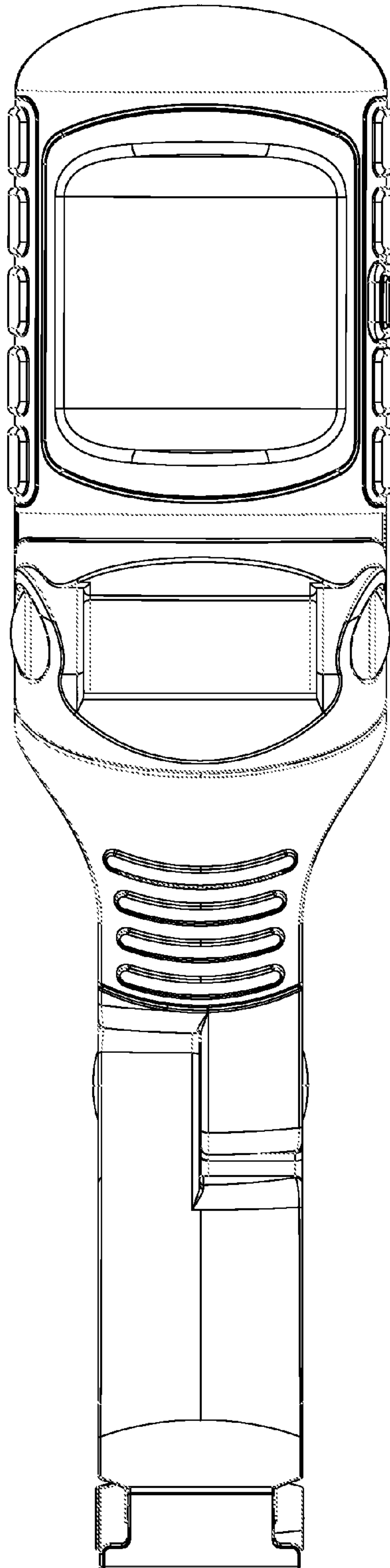


FIG. 12

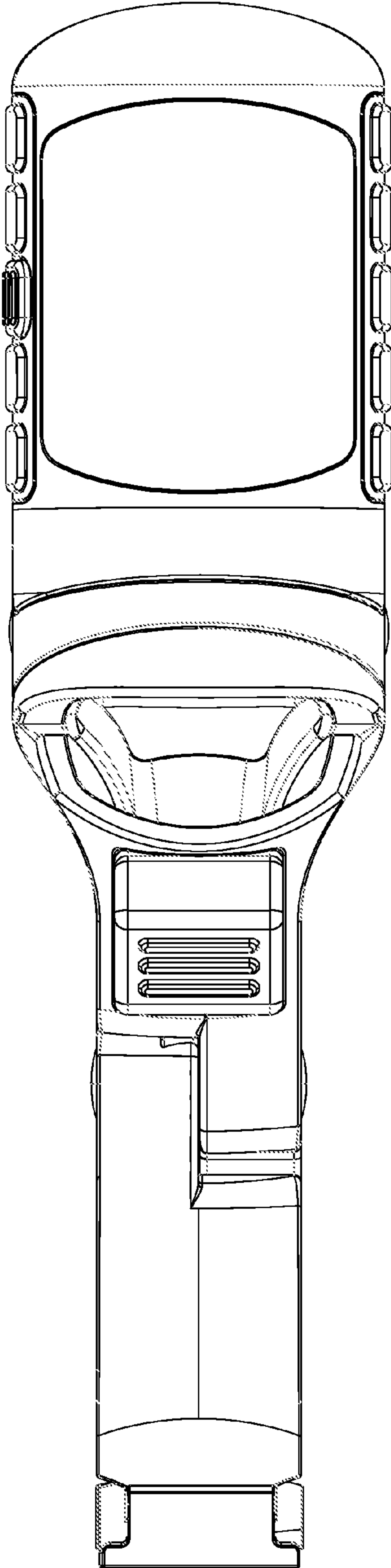


FIG. 13

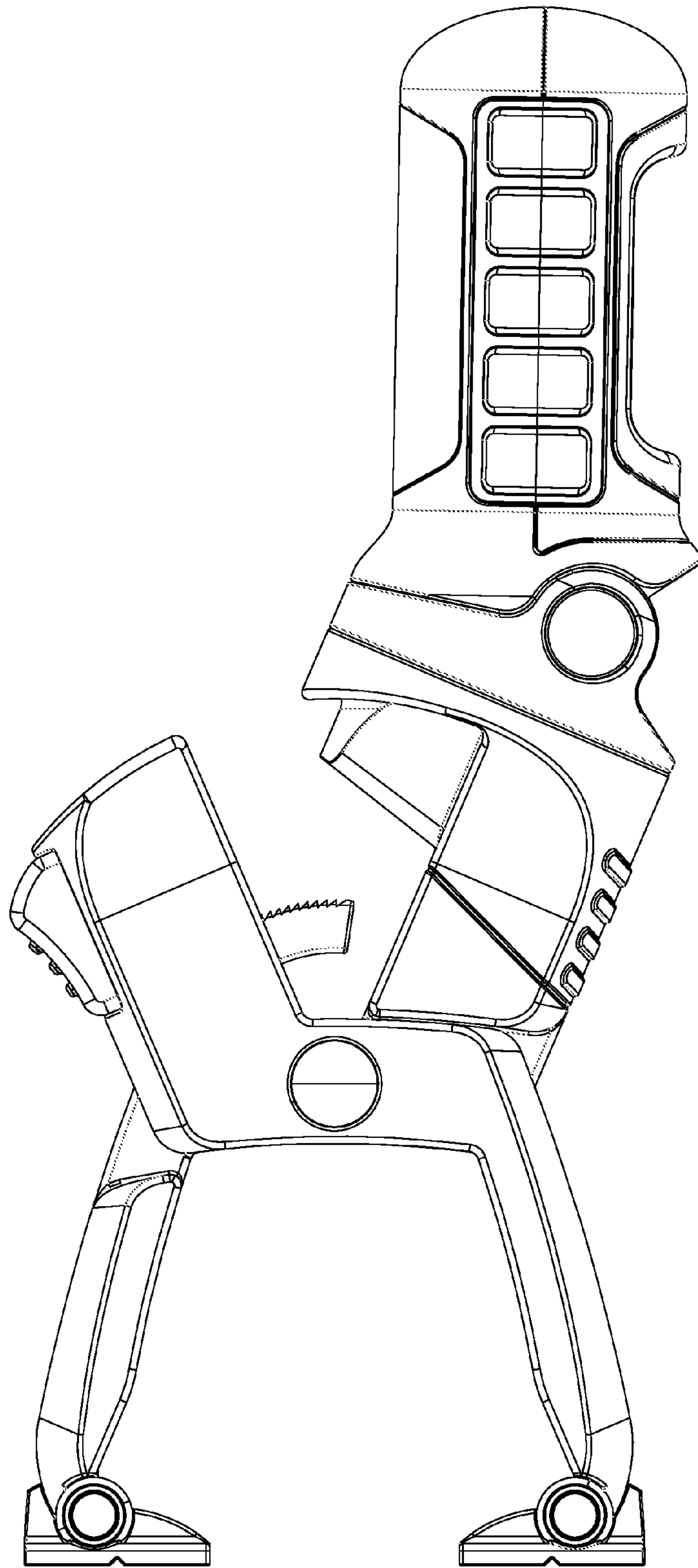


FIG. 14

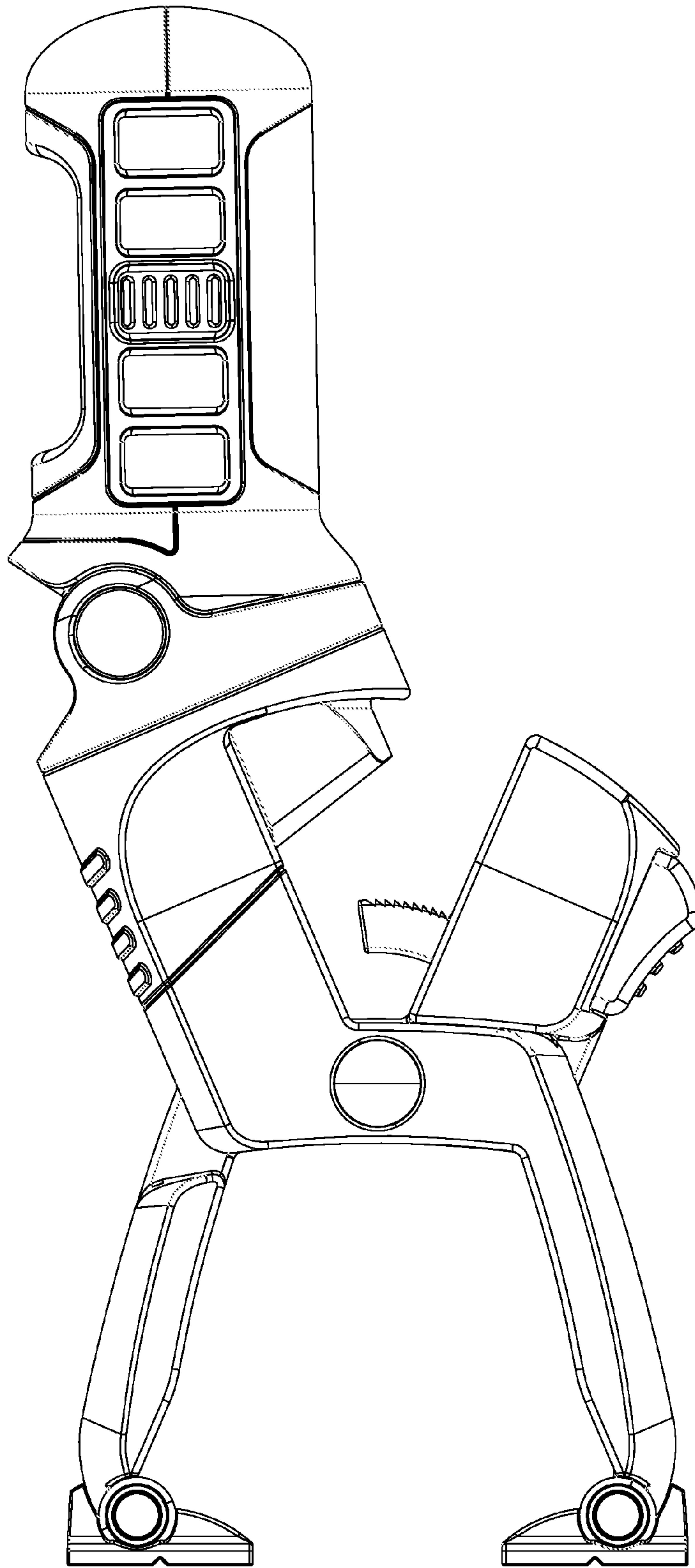


FIG. 15

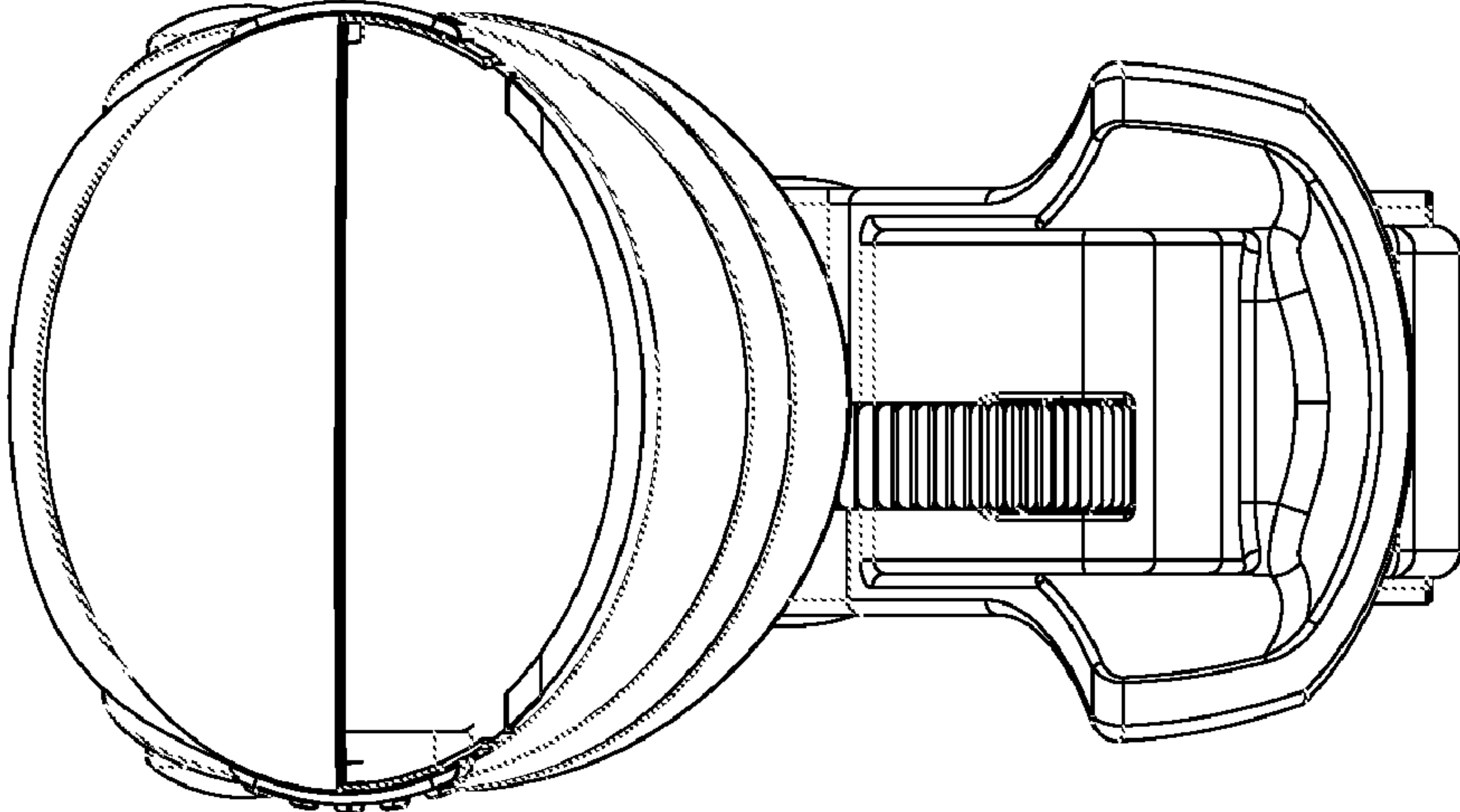


FIG. 16

