



US00D640395S

(12) **United States Design Patent**
Wickland

(10) **Patent No.:** **US D640,395 S**

(45) **Date of Patent:** **** Jun. 21, 2011**

(54) **WINDOW COMPONENT EXTRUSION**

(56) **References Cited**

(75) **Inventor:** **Timothy Todd Wickland**, Auburn, WA (US)

U.S. PATENT DOCUMENTS

7,246,466 B2 *	7/2007	Turner	49/504
D572,382 S *	7/2008	Willman	D25/124
D576,294 S *	9/2008	Morton et al.	D25/124

(73) **Assignee:** **Mikron Industries, Inc.**, Kent, WA (US)

* cited by examiner

(**) **Term:** **14 Years**

Primary Examiner — Doris Clark

(21) **Appl. No.:** **29/370,061**

(74) *Attorney, Agent, or Firm* — David C. Gadd

(22) **Filed:** **May 29, 2010**

(57) **CLAIM**

The ornamental design for a window component extrusion, as shown and described.

(51) **LOC (9) Cl.** **25-01**

DESCRIPTION

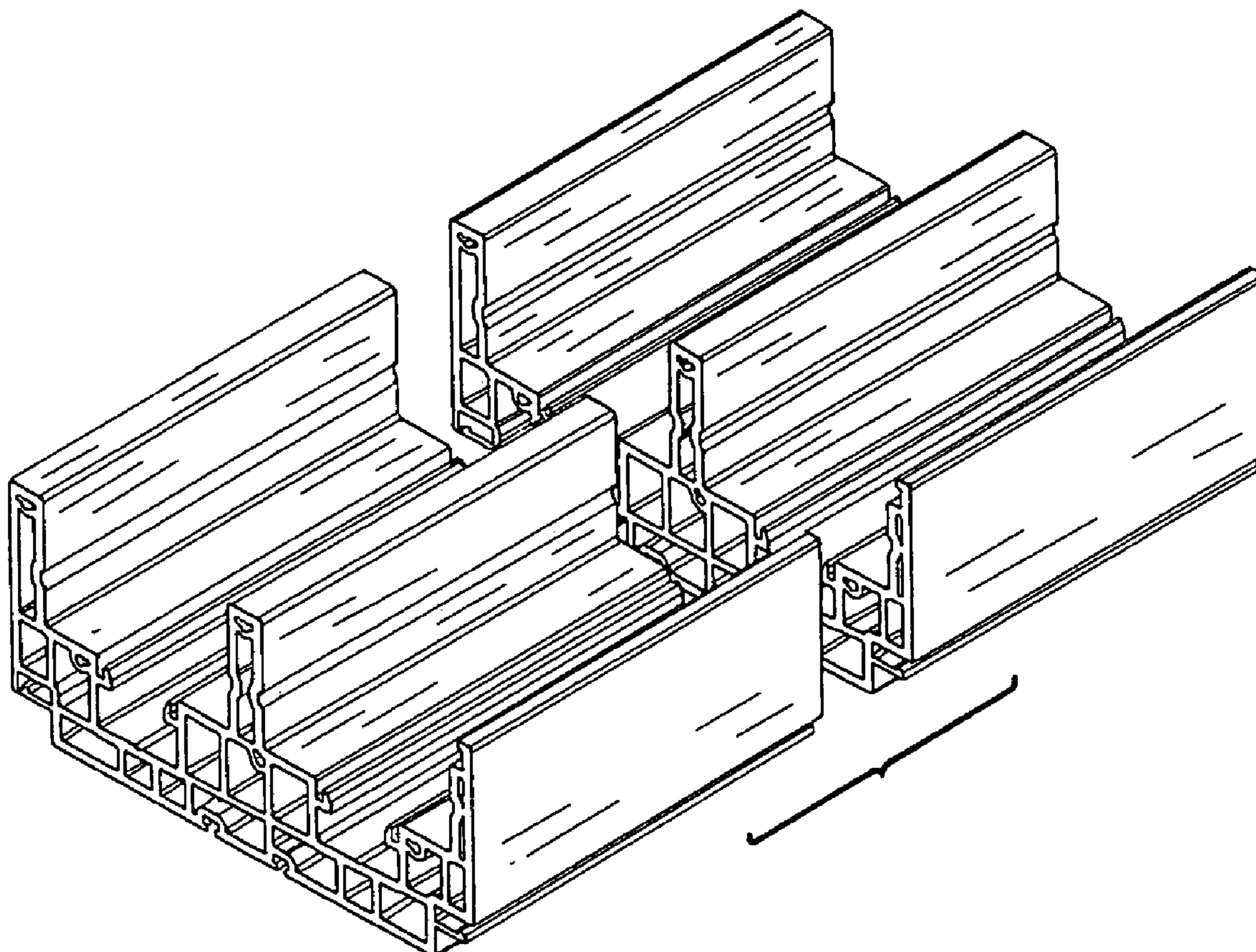
(52) **U.S. Cl.** **D25/124**

(58) **Field of Classification Search** D25/119, D25/124, 125; 52/204.1, 204.2, 204.5, 204.51, 52/656.5, 656.6, 213, 215, 208, 206, 212, 52/717.01, 209, 204.72, 579; 49/DIG. 2, 49/504, 501, 449, 180, 183; 160/91

FIG. 1 is a top right perspective view of a first embodiment of the window component extrusion which is broken in the center indicating indefinite length; and, FIG. 2 is a bottom left perspective view of the window component extrusion shown in FIG. 1.

See application file for complete search history.

1 Claim, 1 Drawing Sheet



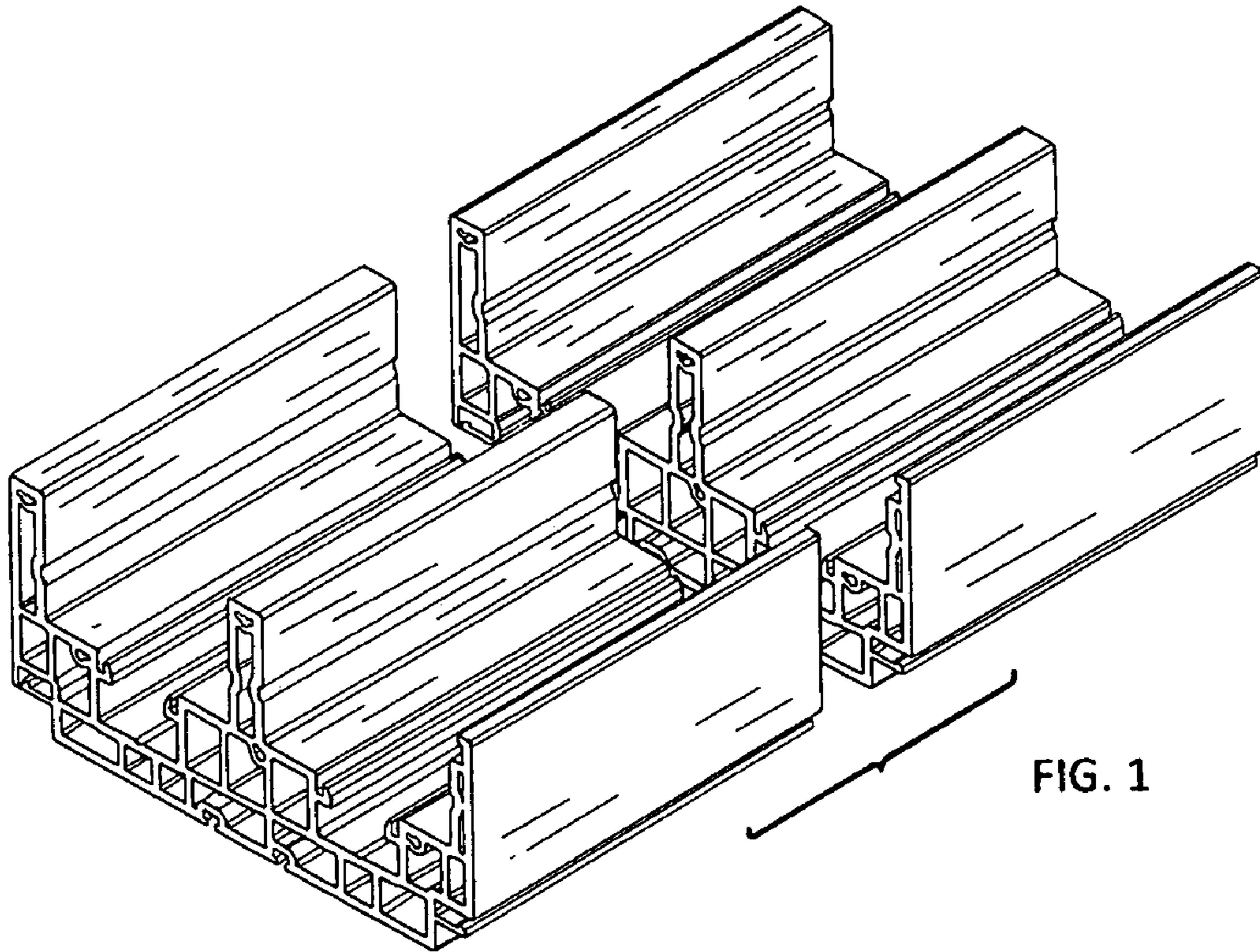


FIG. 1

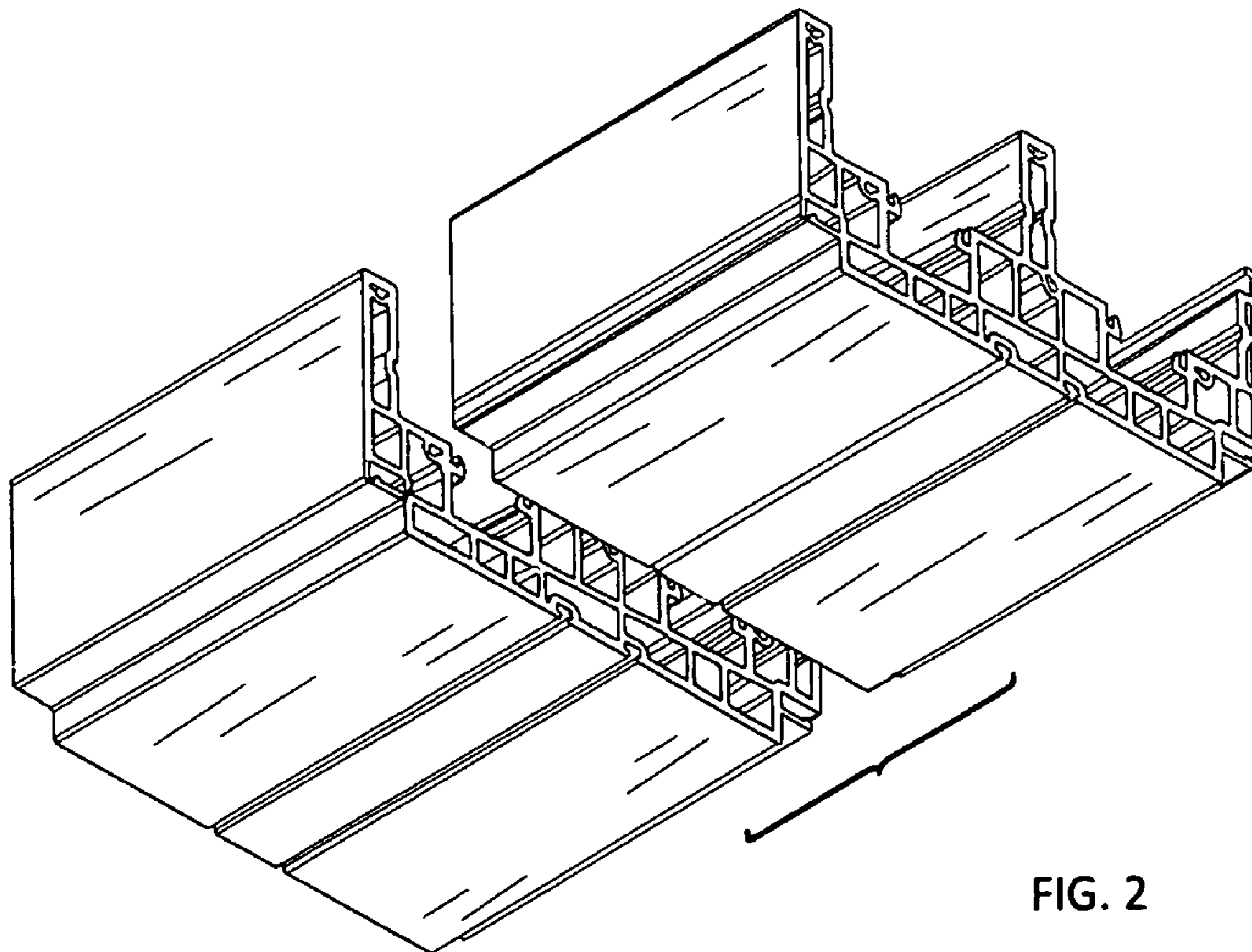


FIG. 2