



US00D640393S

(12) **United States Design Patent**
Wickland

(10) **Patent No.:** **US D640,393 S**

(45) **Date of Patent:** **** Jun. 21, 2011**

(54) **WINDOW COMPONENT EXTRUSION**

(56) **References Cited**

(75) **Inventor:** **Timothy Todd Wickland**, Auburn, WA
(US)

U.S. PATENT DOCUMENTS

(73) **Assignee:** **Mikron Industries, Inc.**, Kent, WA (US)

3,859,754 A *	1/1975	Budich et al.	49/425
D536,104 S *	1/2007	Cole	D25/119
D583,649 S *	12/2008	Parker	D8/349
2002/0062609 A1 *	5/2002	Farrar et al.	52/204.5
2003/0046885 A1 *	3/2003	Tavivian	52/204.1

(**) **Term:** **14 Years**

* cited by examiner

(21) **Appl. No.:** **29/370,062**

Primary Examiner — Doris Clark

(22) **Filed:** **May 29, 2010**

(74) *Attorney, Agent, or Firm* — David C. Gadd

(51) **LOC (9) Cl.** **25-01**

(57) **CLAIM**

The ornamental design for a window component extrusion, as shown and described.

(52) **U.S. Cl.** **D25/119**

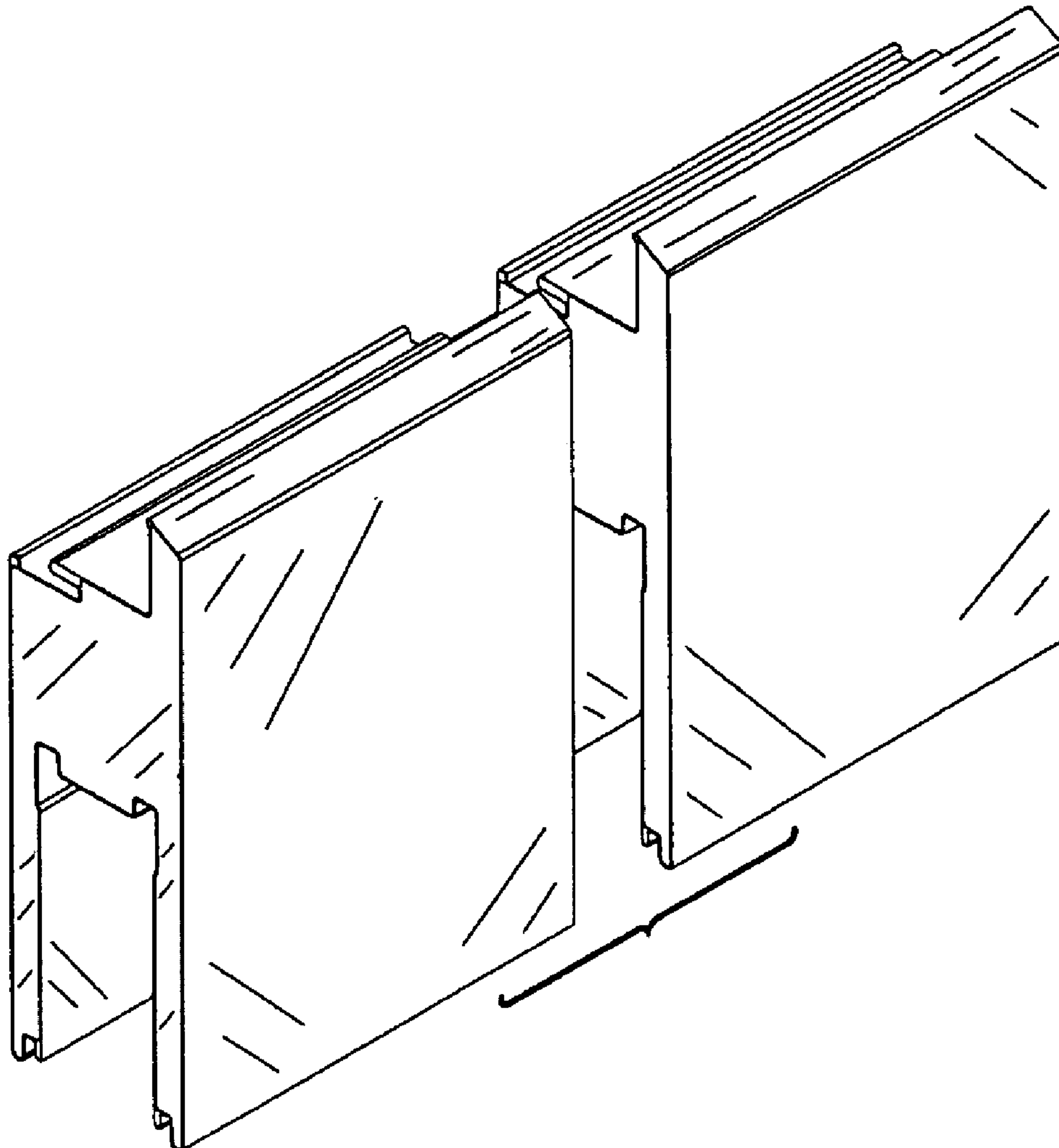
DESCRIPTION

(58) **Field of Classification Search** D25/119,
D25/124, 125; 52/204.1, 204.2, 204.5, 204.51,
52/656.5, 656.6, 213, 215, 208, 206, 212,
52/717.01, 209, 204.72, 579; 49/DIG. 2,
49/504, 501, 449, 180, 183; 160/91

FIG. 1 is a top right perspective view of a first embodiment of the window component extrusion which is broken in the center indicating indefinite length; and, FIG. 2 is a bottom left perspective view of the window component extrusion shown in FIG. 1.

See application file for complete search history.

1 Claim, 1 Drawing Sheet



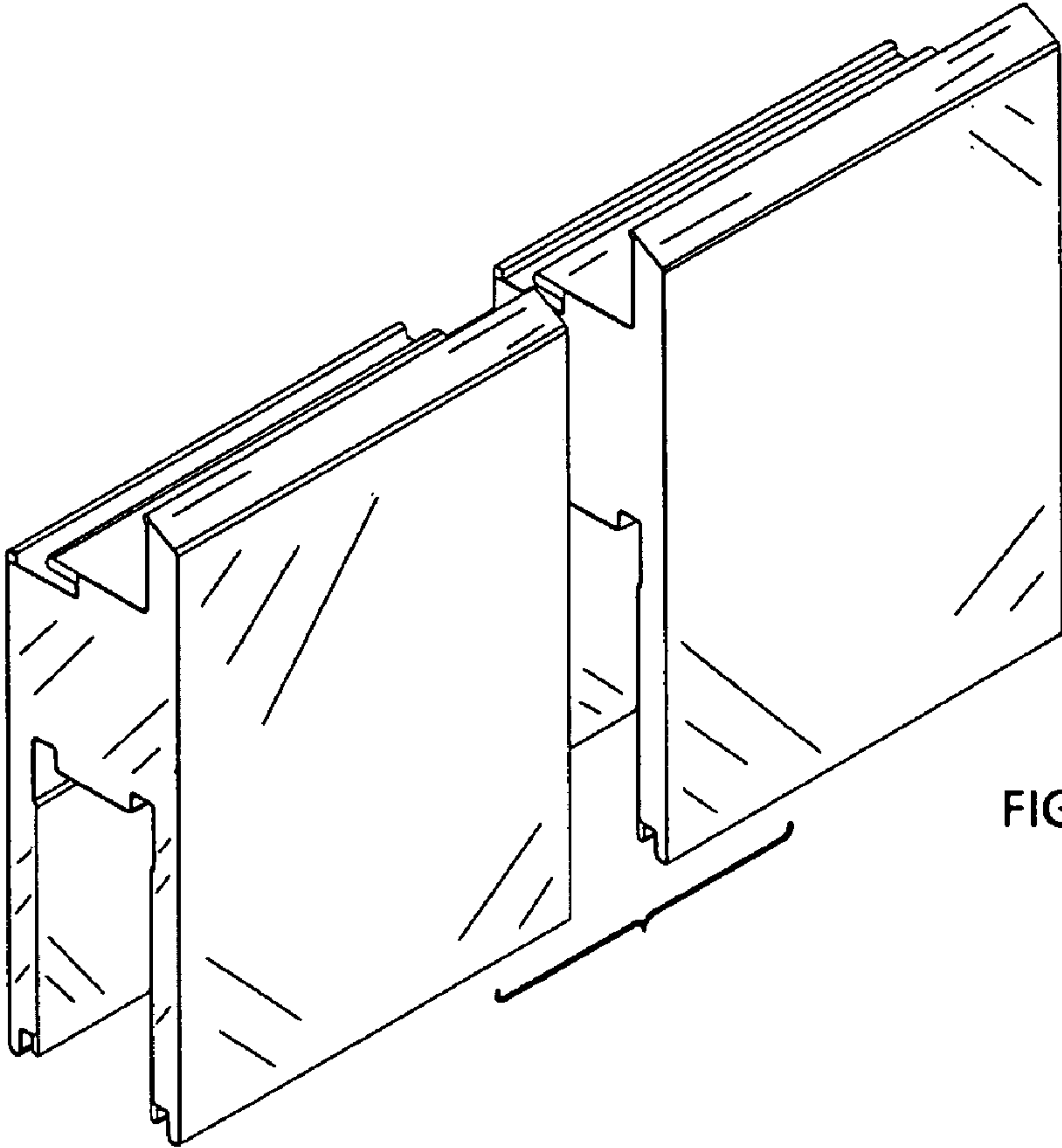


FIG. 1

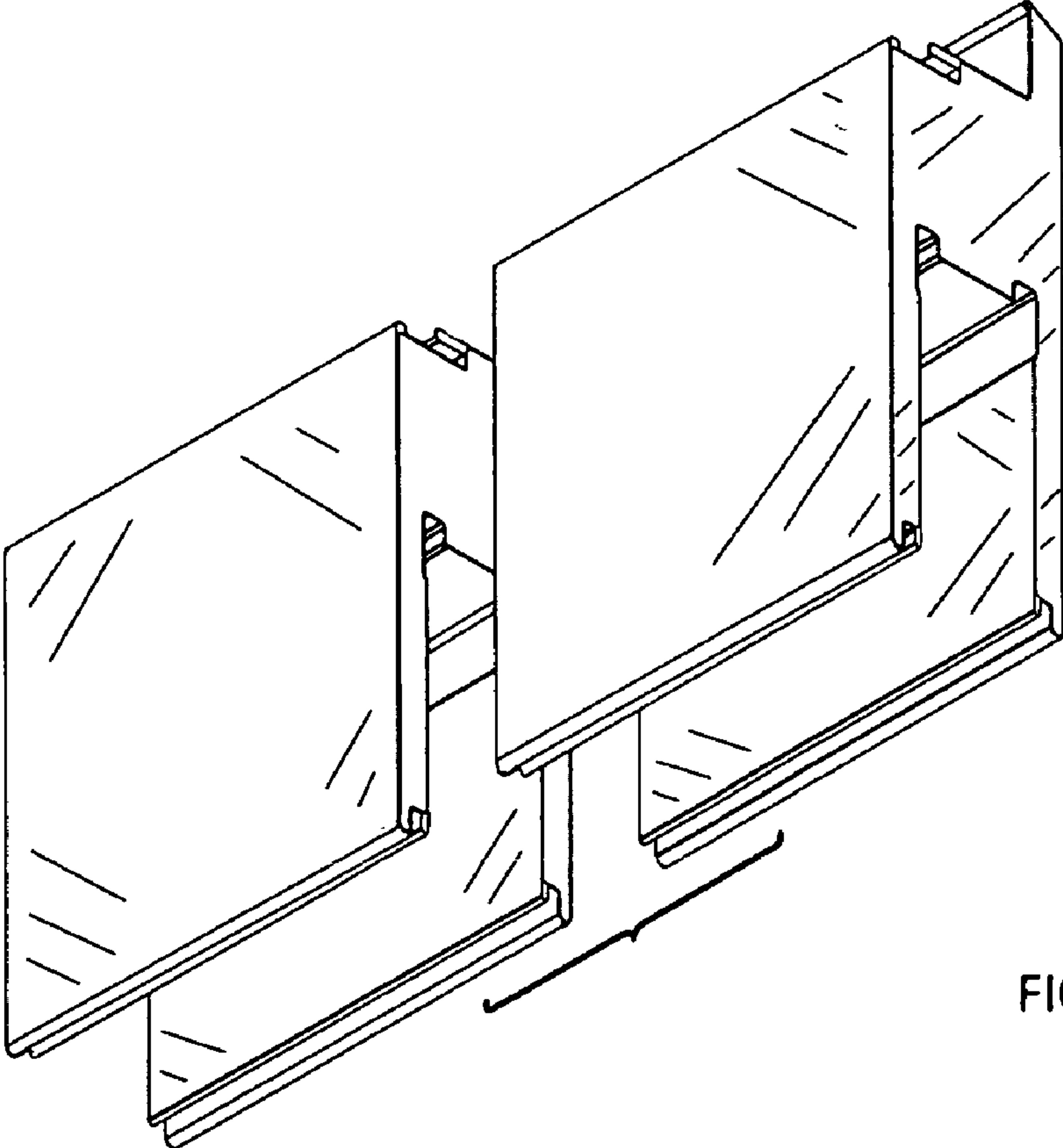


FIG. 2