



US00D640390S

(12) **United States Design Patent**
Wirtz

(10) **Patent No.:** **US D640,390 S**
(45) **Date of Patent:** **** Jun. 21, 2011**

(54) **STORM SHELTER**

(76) Inventor: **Jerry Wirtz**, Ponca City, OK (US)

(**) Term: **14 Years**

(21) Appl. No.: **29/370,500**

(22) Filed: **Jul. 27, 2010**

(51) **LOC (9) Cl.** **25-01**

(52) **U.S. Cl.** **D25/33**

(58) **Field of Classification Search** D25/1-33;
52/169.6, 164.14, 79.1, 79.9, 79.14, 143;
220/560.03, 565, 62.15, 62.22; 135/900-901,
135/902, 137, 116, 156

See application file for complete search history.

(56) **References Cited**

U.S. PATENT DOCUMENTS

984,942	A *	2/1911	Leddy	52/169.6
2,653,468	A	9/1953	Rowles		
3,114,153	A	12/1963	Pierson		
3,118,148	A	1/1964	Taylor et al.		
3,173,387	A	3/1965	Cree		
4,126,972	A	11/1978	Silen		
4,429,495	A	2/1984	Aoki		
5,513,471	A *	5/1996	Worms et al.	52/82
5,542,780	A *	8/1996	Kourgli	405/55
5,732,512	A	3/1998	Ueno et al.		
5,953,866	A	9/1999	Poole		

5,974,743	A	11/1999	Vaia		
6,039,201	A	3/2000	Kesterman et al.		
6,061,976	A *	5/2000	Willbanks, Jr.	52/169.6
6,085,475	A *	7/2000	Parks et al.	52/169.6
6,161,345	A	12/2000	Hope et al.		
6,308,471	B1	10/2001	Raynor		
6,393,776	B1	5/2002	Waller et al.		
6,415,558	B1	7/2002	Cherry		
6,438,906	B1 *	8/2002	Komarowski et al.	52/169.1
D466,220	S *	11/2002	Watson	D25/36
6,981,347	B1	1/2006	Walburger		
2003/0167708	A1	9/2003	Shaw et al.		
2003/0172597	A1	9/2003	Folkema		
2007/0022678	A1 *	2/2007	Sempel	52/169.6
2008/0196329	A1 *	8/2008	Kennedy et al.	52/169.6
2010/0115858	A1 *	5/2010	Olsen	52/79.1

* cited by examiner

Primary Examiner — T. Chase Nelson

Assistant Examiner — Eric Goodman

(74) *Attorney, Agent, or Firm* — Edward L. White

(57) **CLAIM**

The ornamental design for a storm shelter, as shown.

DESCRIPTION

FIG. 1 is a perspective view of the storm shelter.

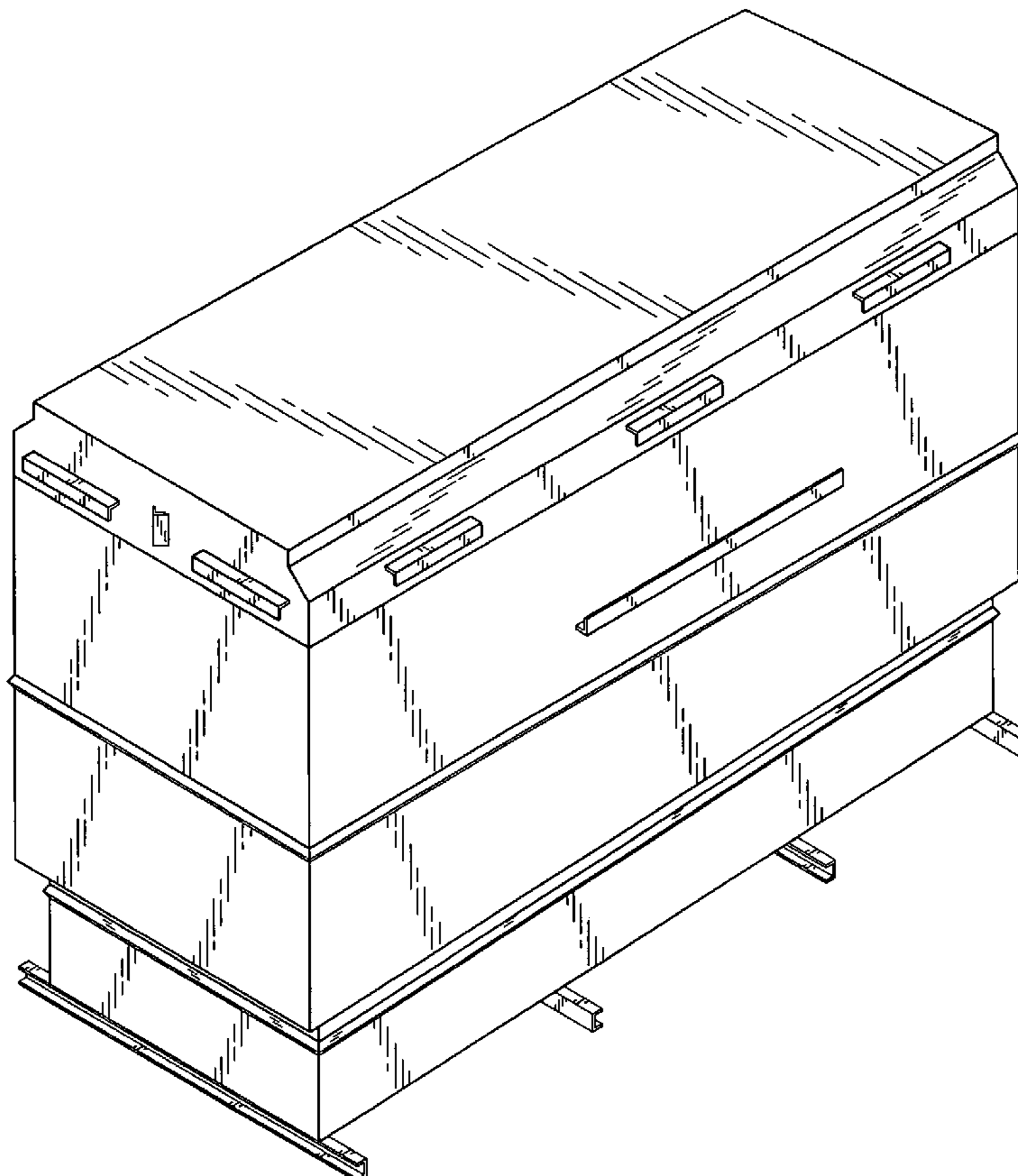
FIG. 2 is a side view of the storm shelter.

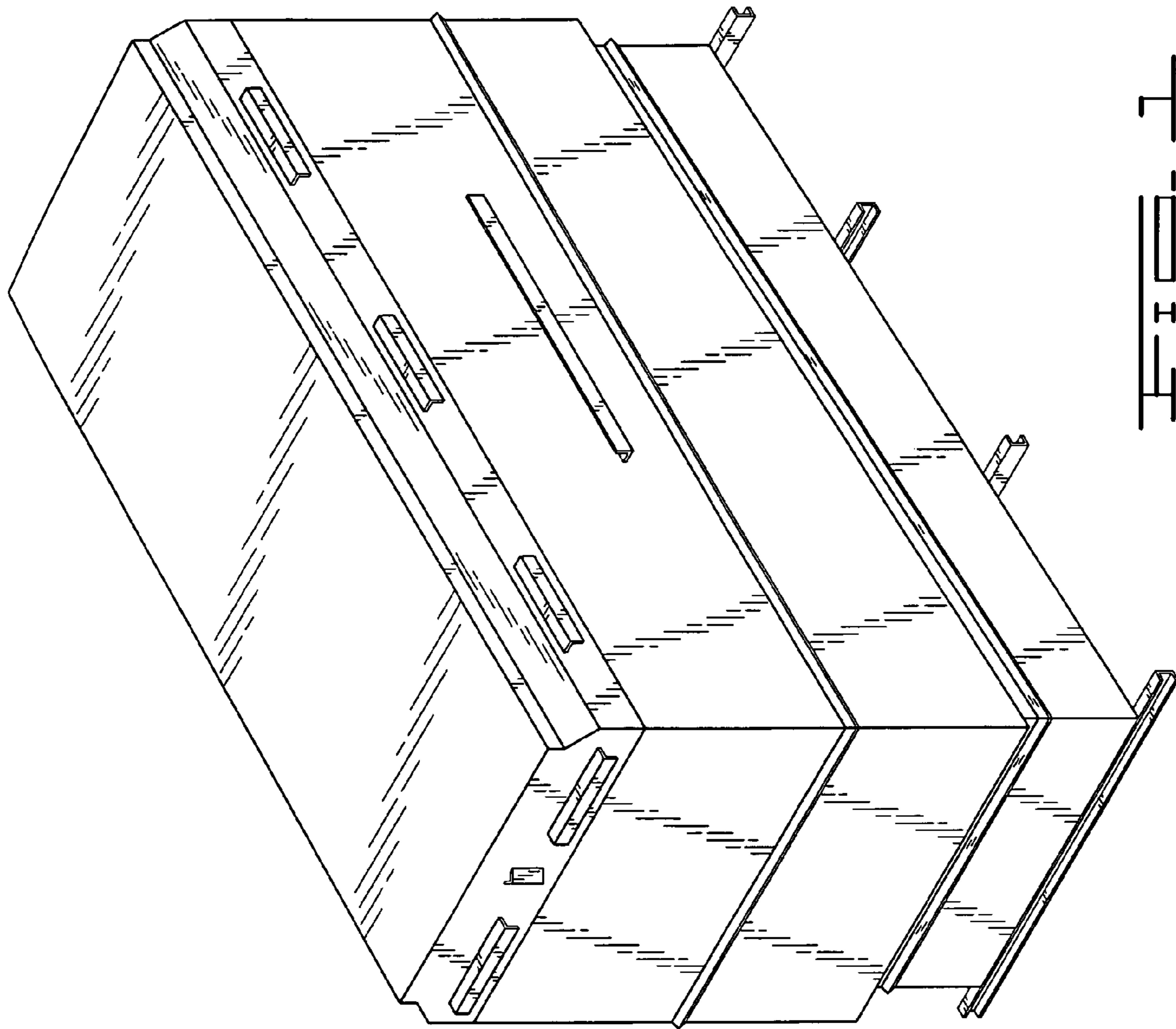
FIG. 3 is a front view of the storm shelter.

FIG. 4 is a top view of the storm shelter; and,

FIG. 5 is a bottom view of the storm shelter.

1 Claim, 5 Drawing Sheets





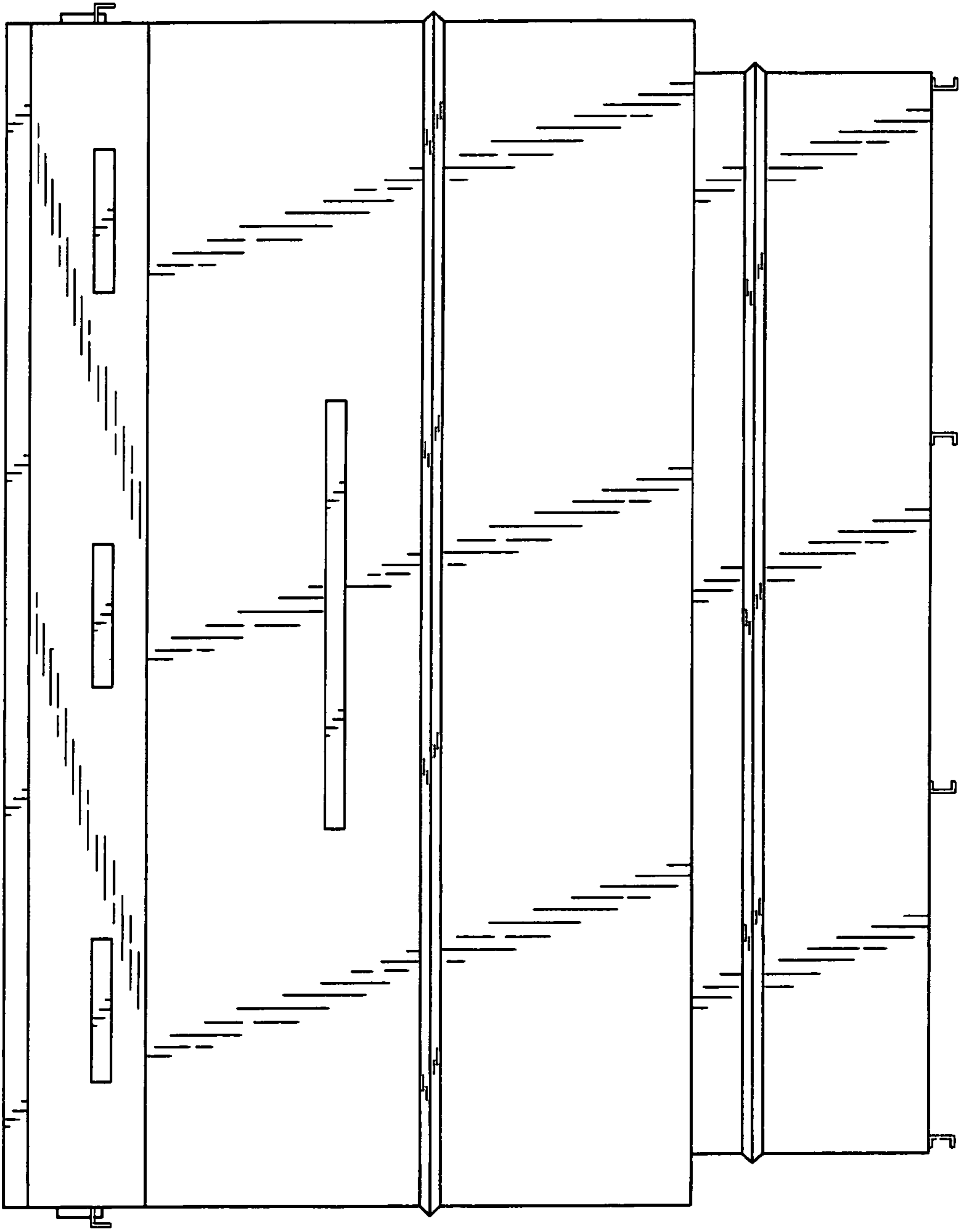


FIG. 2

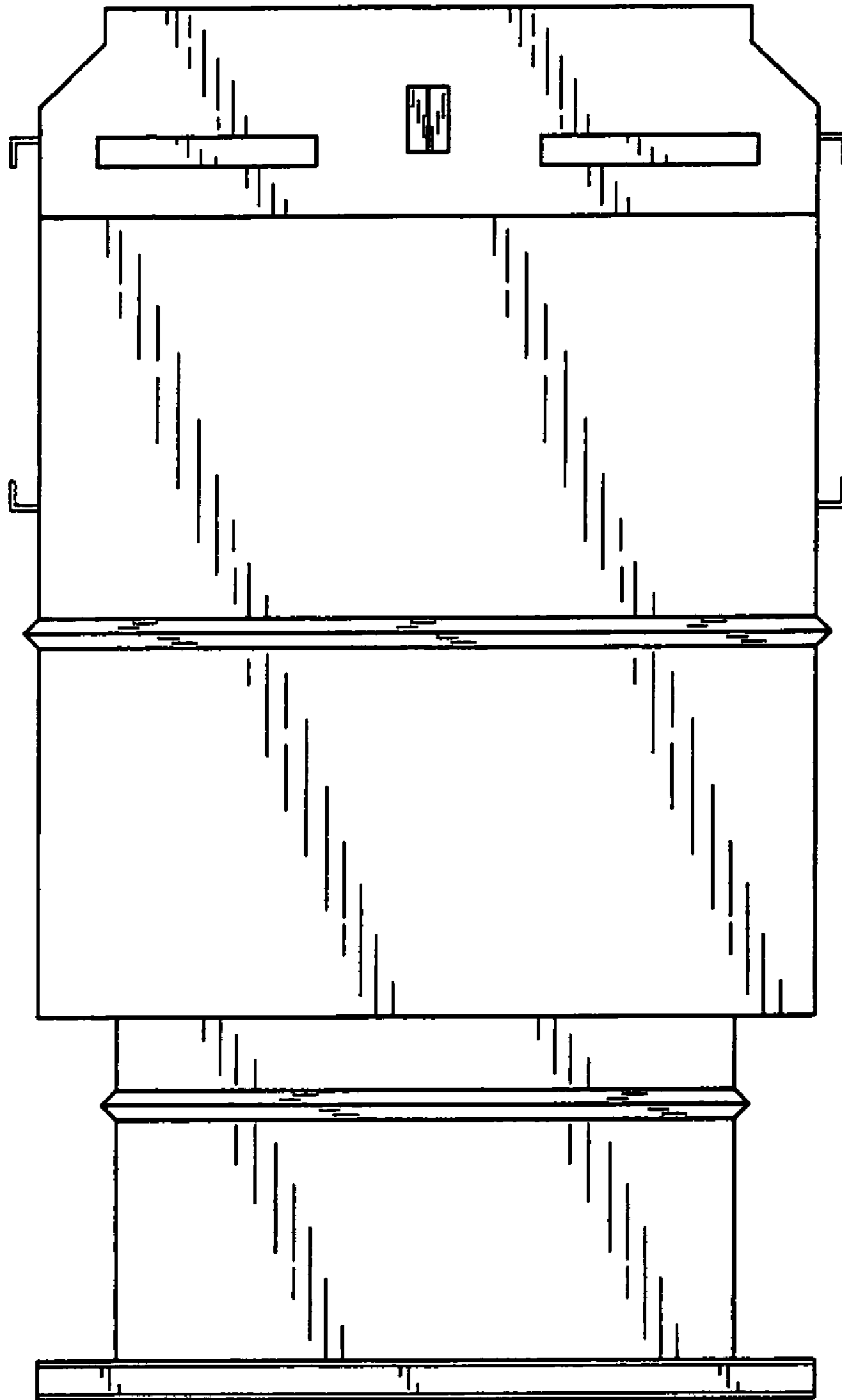


FIG. 3

