



US00D640389S

(12) **United States Design Patent**
Francis et al.

(10) **Patent No.:** **US D640,389 S**

(45) **Date of Patent:** **** Jun. 21, 2011**

(54) **TEST STRIP**

(75) Inventors: **Karl Francis**, San Diego, CA (US);
Paul Crivelli, San Diego, CA (US);
Emily Parker, San Diego, CA (US)

(73) Assignee: **Alere San Diego, Inc.**, San Diego, CA (US)

(**) Term: **14 Years**

(21) Appl. No.: **29/363,033**

(22) Filed: **Jun. 3, 2010**

(51) **LOC (9) Cl.** **24-01**

(52) **U.S. Cl.** **D24/225**

(58) **Field of Classification Search** D24/216-232;
D10/81; 422/500, 547, 549, 554; 435/287.1,
435/288.1, 288.2, 288.4, 278.9, 288.3; 359/396,
359/397, 398

See application file for complete search history.

(56) **References Cited**

U.S. PATENT DOCUMENTS

D331,807 S	*	12/1992	Sodergren	D24/224
D456,082 S	*	4/2002	Bouse et al.	D24/223
D467,348 S	*	12/2002	McMichael et al.	D24/229
D472,324 S	*	3/2003	Rumore et al.	D24/224

D472,644 S	*	4/2003	Dawson et al.	D24/216
D500,142 S	*	12/2004	Crisanti et al.	D24/224
D512,512 S	*	12/2005	Bell et al.	D24/225
D528,215 S	*	9/2006	Malmsater	D24/216
D531,321 S	*	10/2006	Godfrey et al.	D24/225
7,186,383 B2	*	3/2007	Webster et al.	422/547
7,285,425 B2	*	10/2007	Shareef et al.	435/287.1
7,785,865 B2	*	8/2010	Qinwei	435/287.1
2009/0191617 A1	*	7/2009	Lim et al.	435/287.1

* cited by examiner

Primary Examiner — T. Chase Nelson

Assistant Examiner — Anhdao Doan

(74) *Attorney, Agent, or Firm* — Steptoe & Johnson LLP

(57) **CLAIM**

The ornamental design for a test strip, as shown and described.

DESCRIPTION

FIG. 1 is a perspective view from above of an assembled test strip.

FIG. 2 is a front view of the test strip of FIG. 1.

FIG. 3 is a rear view of the test strip of FIG. 1.

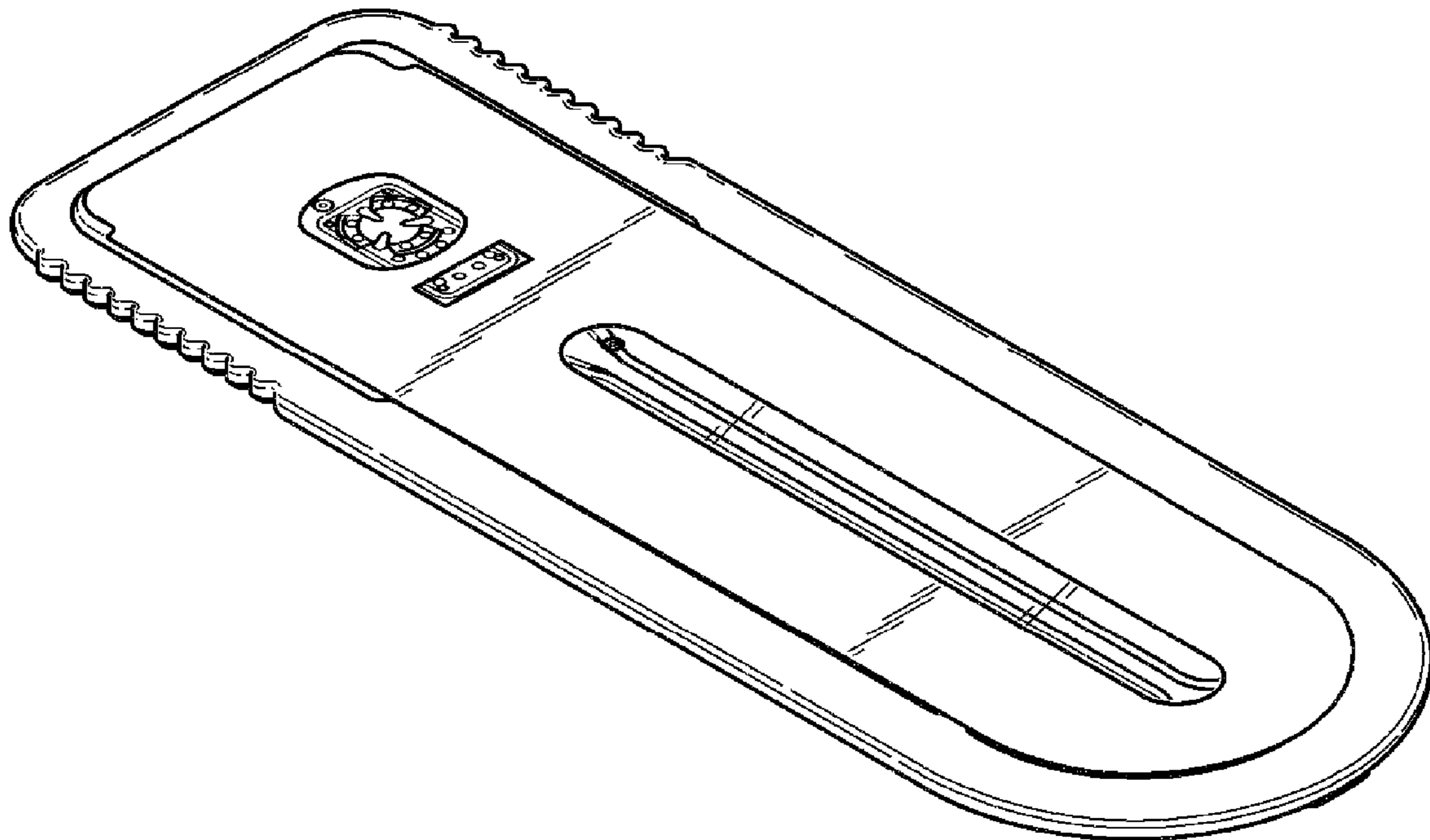
FIG. 4 is a left side view of the test strip of FIG. 1.

FIG. 5 is a right side view of the test strip of FIG. 1.

FIG. 6 is a top view of the test strip of FIG. 1; and,

FIG. 7 is a bottom view of the test strip of FIG. 1.

1 Claim, 2 Drawing Sheets



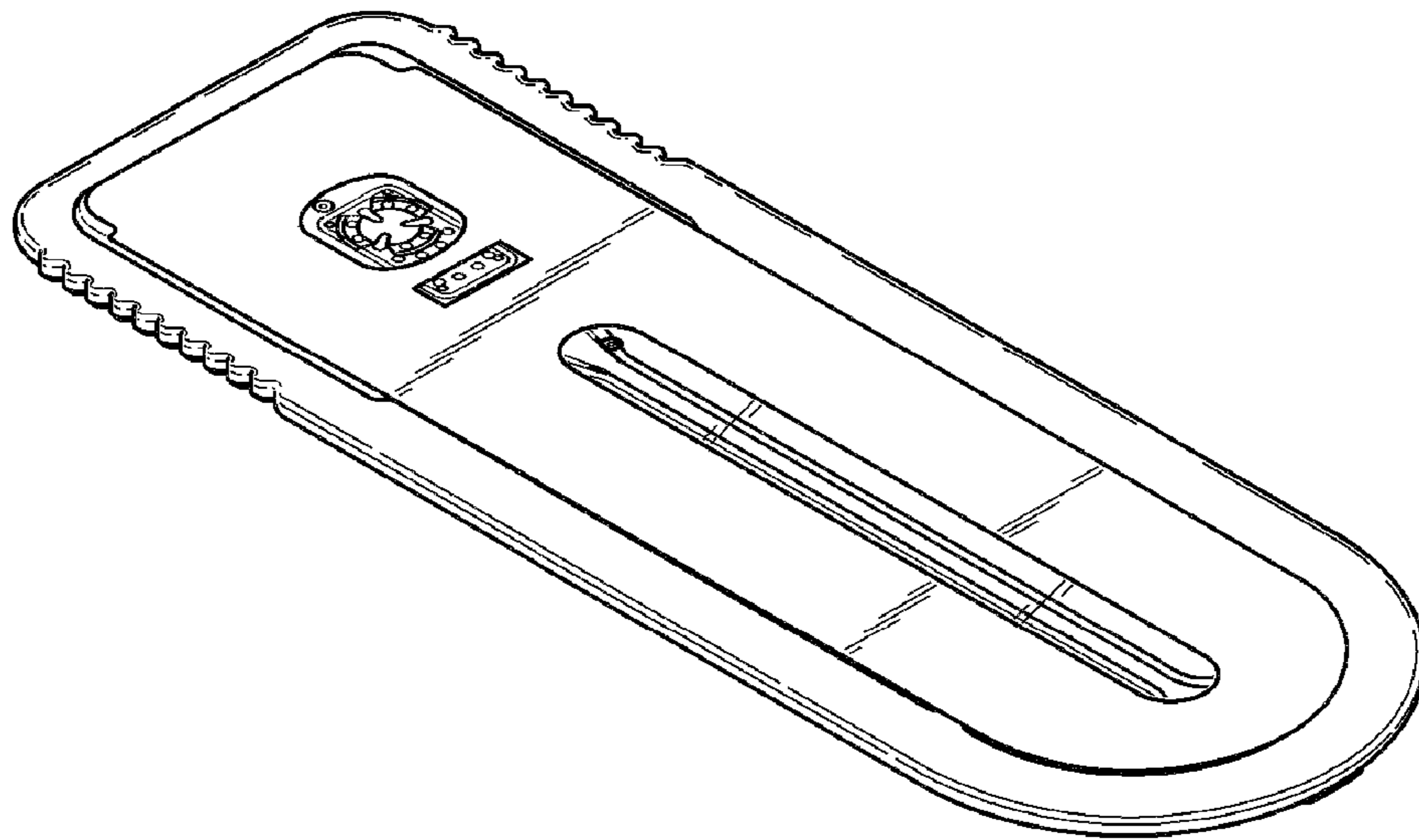


Fig. 1.



Fig. 2.

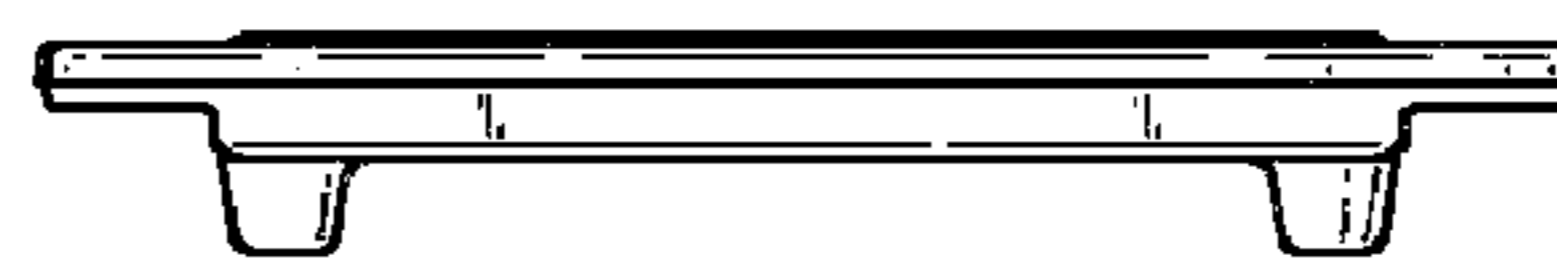


Fig. 3.



Fig. 4.

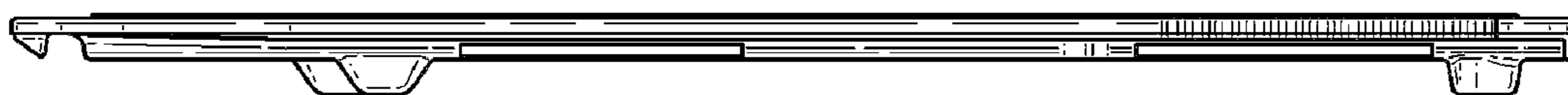


Fig. 5.

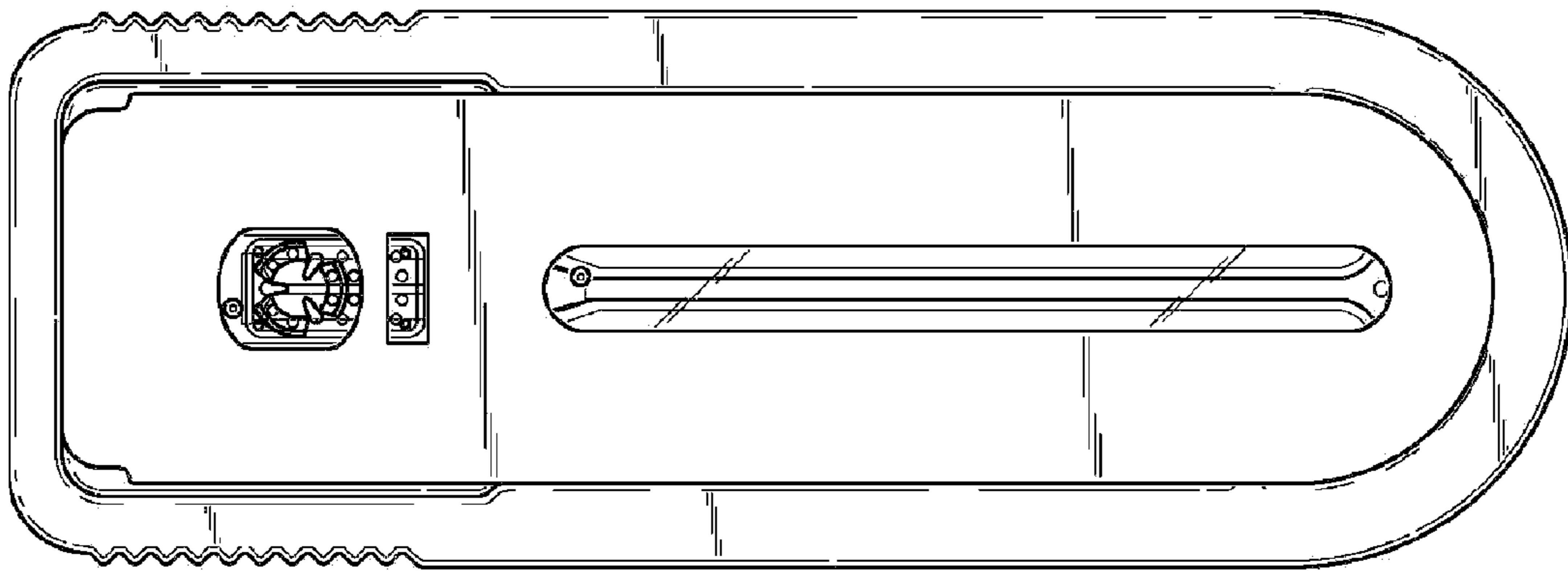


Fig.6.

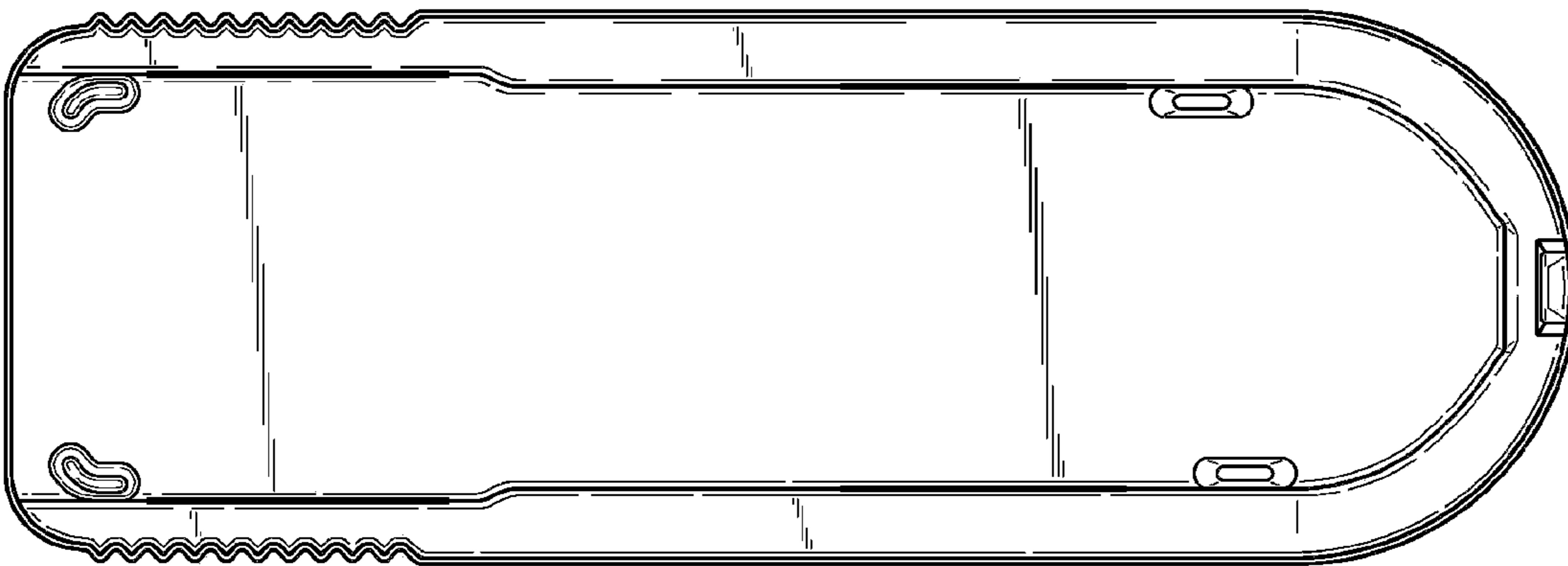


Fig.7.