

US00D640376S

(12) **United States Design Patent**
Amano et al.

(10) **Patent No.:** **US D640,376 S**
(45) **Date of Patent:** **** Jun. 21, 2011**

(54) **CONTROLLER FOR MEDICAL APPARATUS**

D348,623 S * 7/1994 Coronato et al. D10/108
D349,340 S * 8/1994 Snoke et al. D24/138
D349,343 S * 8/1994 Hannon et al. D24/170

(75) Inventors: **Hirotooshi Amano**, Tachikawa (JP);
Kenji Tajima, Hachioji (JP); **Takao Tabata**, Hachioji (JP)

(Continued)

(73) Assignee: **Olympus Medical Systems Corp.**,
Tokyo (JP)

Primary Examiner — Ian Simmons
Assistant Examiner — Wan Laymon

(**) Term: **14 Years**

(74) *Attorney, Agent, or Firm* — Holtz, Holtz, Goodman &
Chick, PC

(21) Appl. No.: **29/377,024**

(57) **CLAIM**
The ornamental design for a controller for medical apparatus,
as shown and described.

(22) Filed: **Oct. 15, 2010**

DESCRIPTION

Related U.S. Application Data

(62) Division of application No. 29/329,853, filed on Dec.
22, 2008, now Pat. No. Des. 626,224.

FIG. 1 is a front, right side and top perspective view of a controller for medical apparatus, showing our new design; FIG. 2 is an enlarged front elevational view thereof; FIG. 3 is an enlarged rear elevational view thereof; FIG. 4 is an enlarged top plan view thereof; FIG. 5 is an enlarged bottom plan view thereof; FIG. 6 is an enlarged right side elevational view thereof; FIG. 7 is an enlarged left side elevational view thereof; FIG. 8 is an enlarged fragmentary perspective view of the portion thereof surrounded by box 8 in FIG. 1, showing the power button part; FIG. 9 is an enlarged front, right side and top perspective view of a second embodiment of the controller for medical apparatus; FIG. 10 is an enlarged front elevational view thereof; FIG. 11 is an enlarged rear elevational view thereof; FIG. 12 is an enlarged top plan view thereof; FIG. 13 is an enlarged bottom plan view thereof; FIG. 14 is an enlarged right side elevational view thereof; FIG. 15 is an enlarged left side elevational view thereof; and, FIG. 16 is an enlarged fragmentary perspective view of the portion thereof surrounded by box 16 in FIG. 9, showing the power button part.

(30) **Foreign Application Priority Data**

Jul. 4, 2008 (JP) 2008-017303
Jul. 4, 2008 (JP) 2008-017304
Jul. 4, 2008 (JP) 2008-017305
Jul. 4, 2008 (JP) 2008-017306
Sep. 5, 2008 (JP) 2008-022913

(51) **LOC (9) Cl.** **24-02**

(52) **U.S. Cl.** **D24/138; D24/107; D24/144**

(58) **Field of Classification Search** D24/107,
D24/138, 144, 170, 186; D10/46, 78, 81,
D10/103, 122, 124, 125, 108; D13/173,
D13/177, 171, 174; D16/235, 219; 600/132,
600/300, 301, 481, 178, 180, 182
See application file for complete search history.

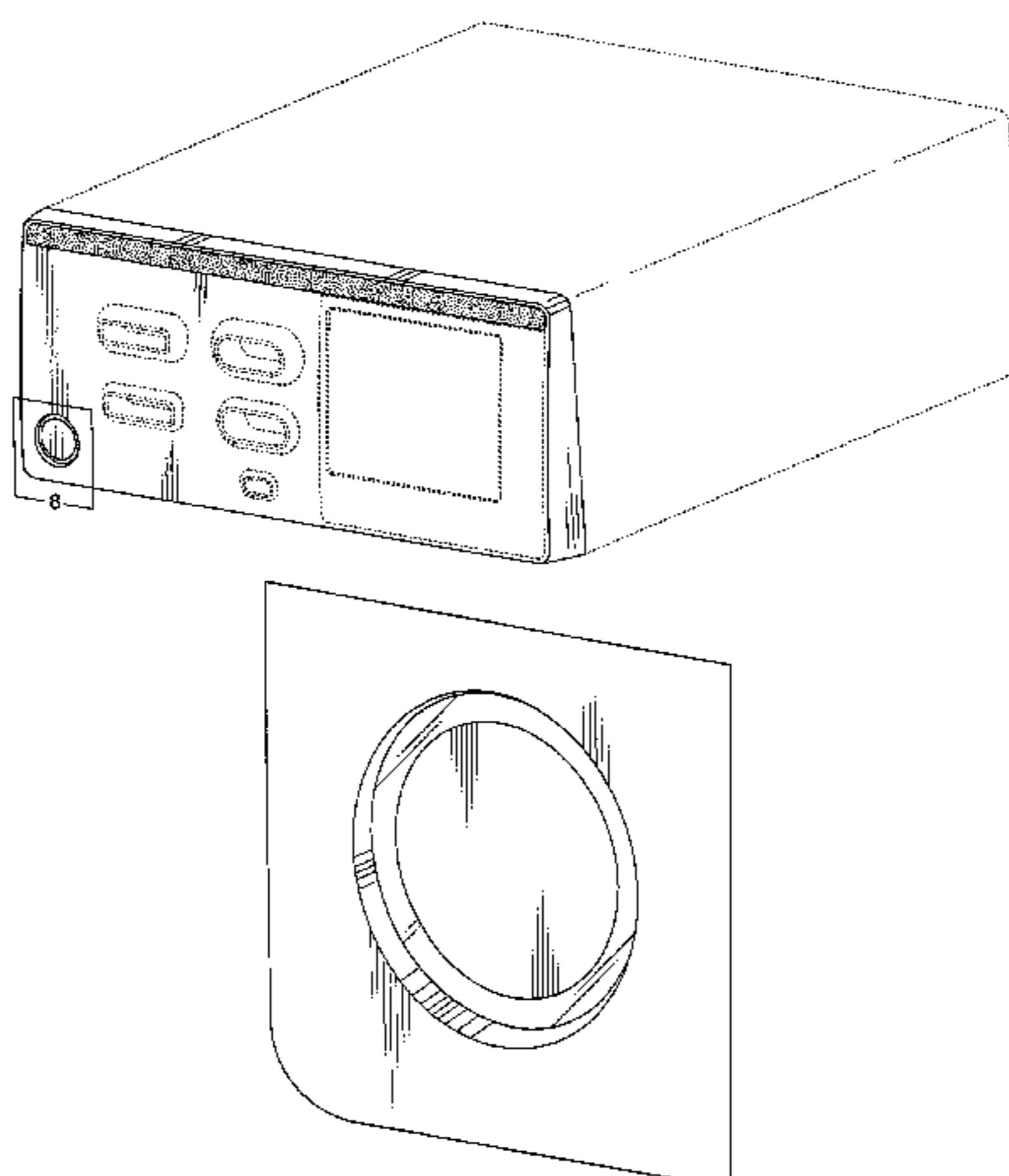
(56) **References Cited**

U.S. PATENT DOCUMENTS

D243,115 S * 1/1977 Ziegler et al. D24/138
D247,251 S * 2/1978 Napoli D24/186
D250,480 S * 12/1978 Wettermann et al. D24/170
D317,136 S * 5/1991 Kulikowski et al. D10/108
D323,894 S * 2/1992 Rosati et al. D24/186
D340,769 S * 10/1993 Bloom et al. D24/186

The broken lines immediately adjacent to the shaded areas and the claimed areas in the views represent the boundaries of the design while all other broken lines are included for the purpose of illustrating environmental structure and form no part of the claimed design. The stippling is used in the drawings to differentiate between the stippled and unshaded areas.

1 Claim, 12 Drawing Sheets



US D640,376 S

Page 2

U.S. PATENT DOCUMENTS

D376,207 S *	12/1996	Buczek et al.	D24/138	D565,513 S *	4/2008	Biondo et al.	D13/174
D378,200 S *	2/1997	Doppelt et al.	D10/108	D598,100 S *	8/2009	Tanaka	D24/138
D412,977 S *	8/1999	Hayamizu	D24/107	D626,224 S *	10/2010	Amano et al.	D24/138
D534,654 S *	1/2007	Hayamizu	D24/138				

* cited by examiner

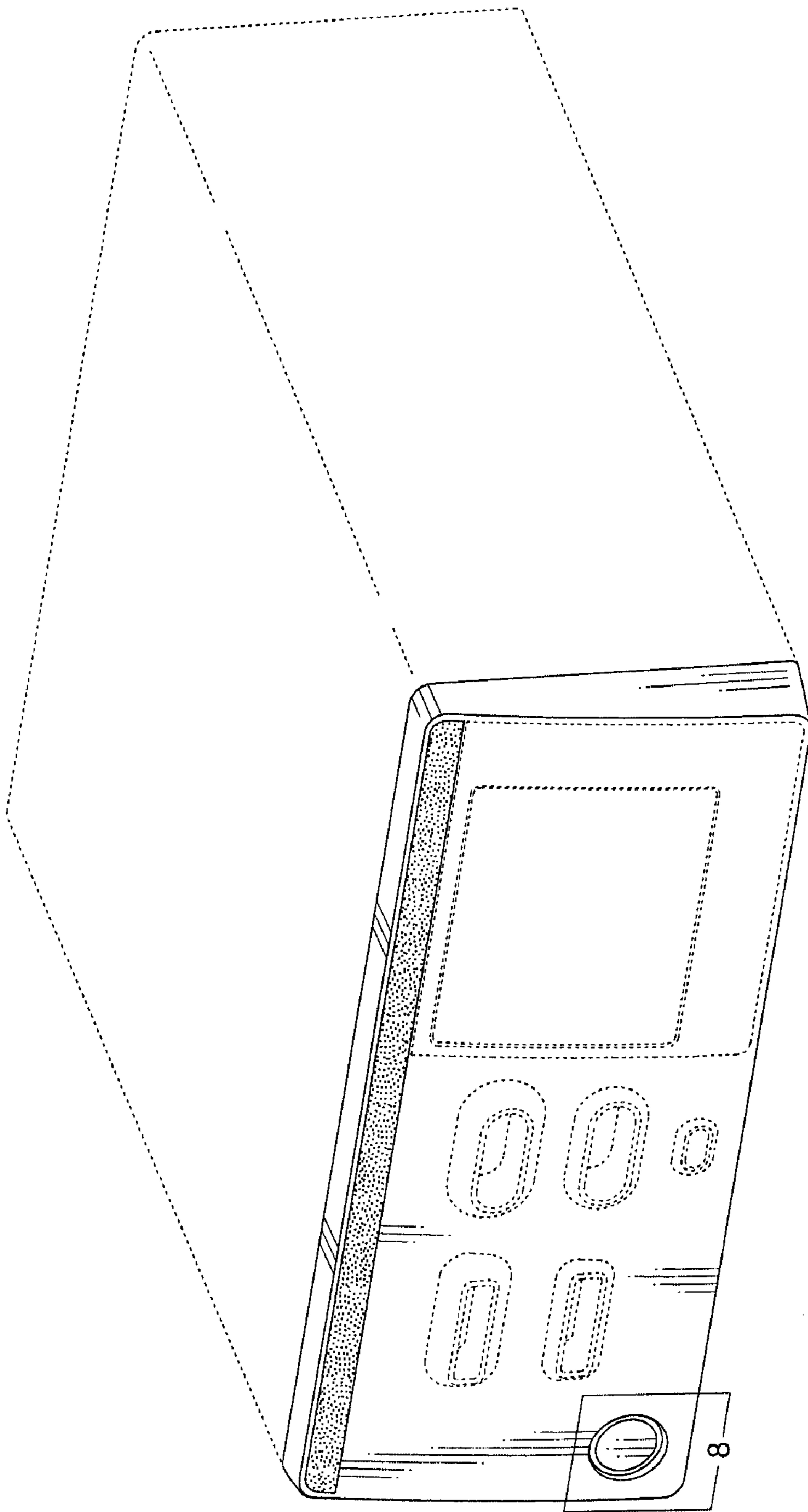


FIG.1

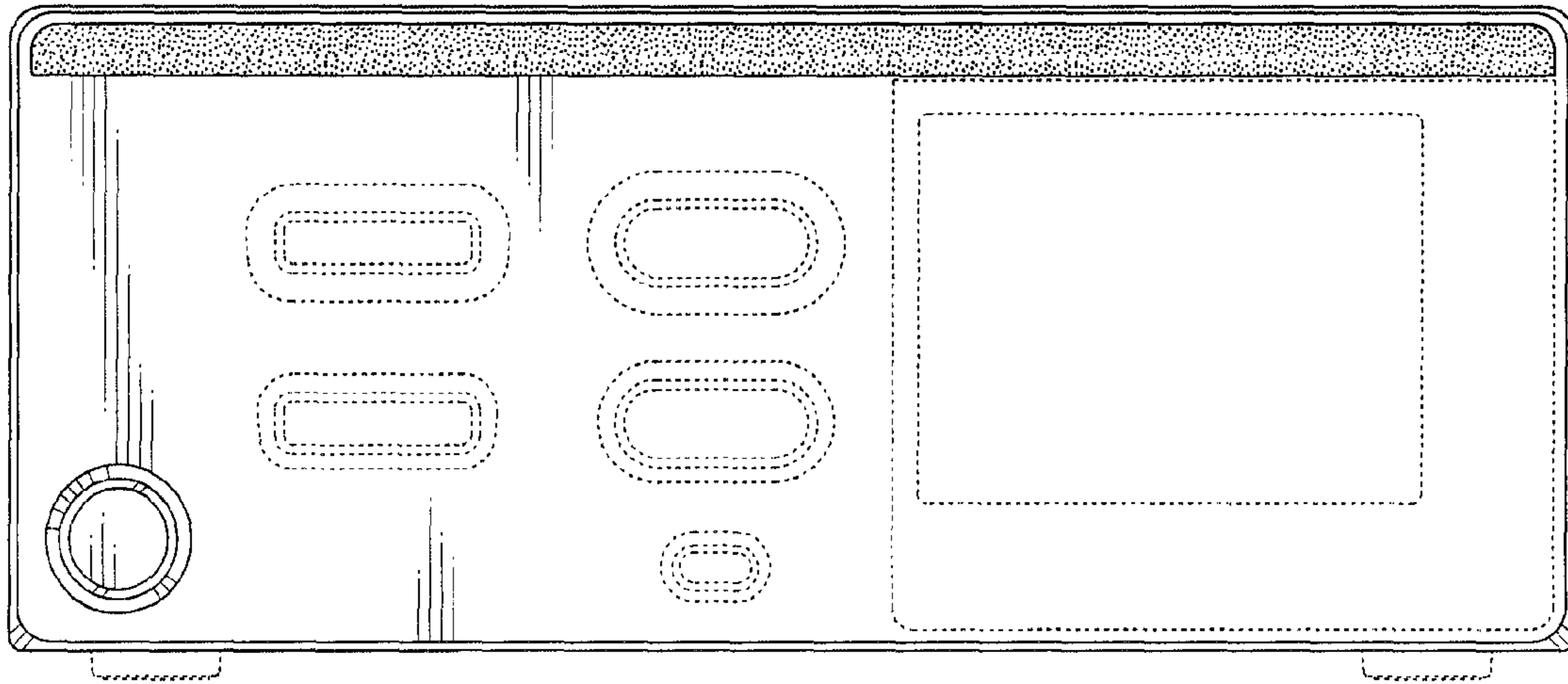


FIG.2

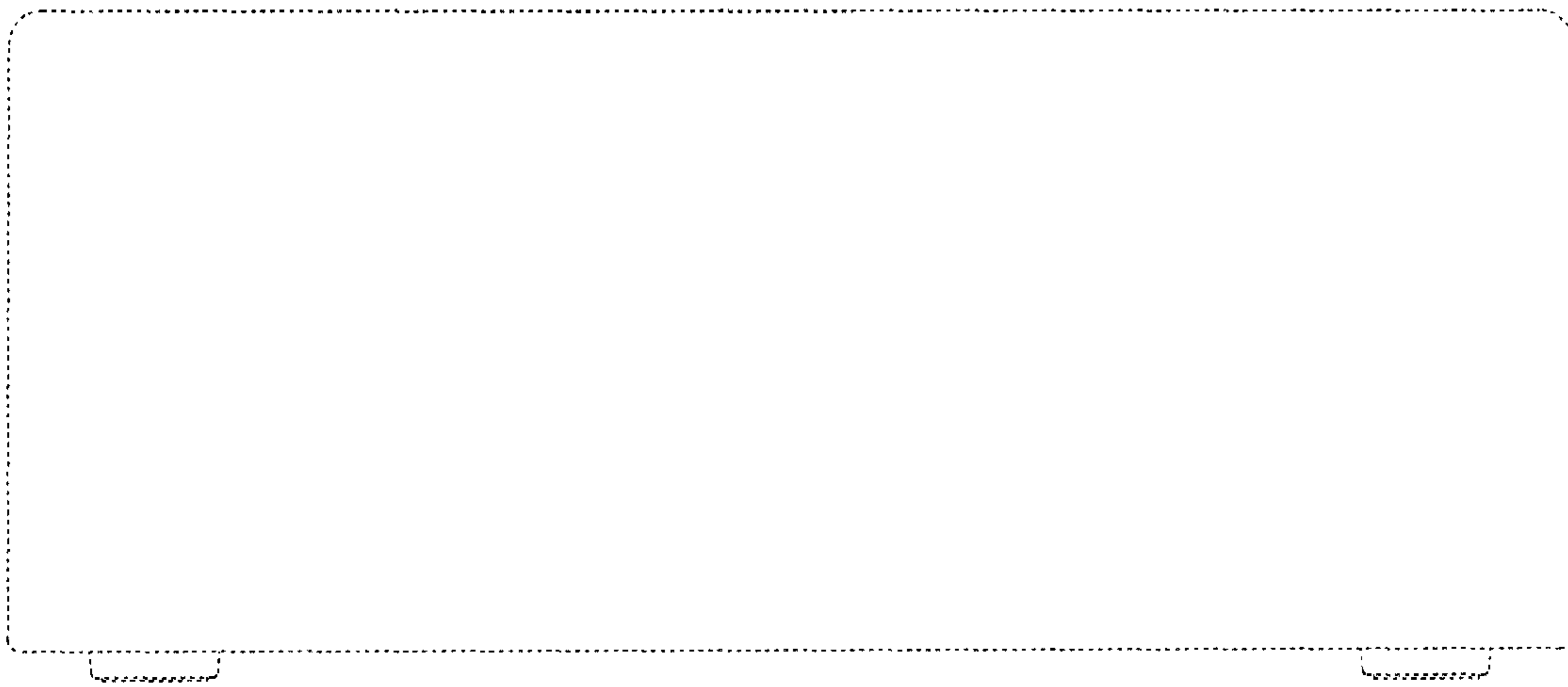


FIG.3

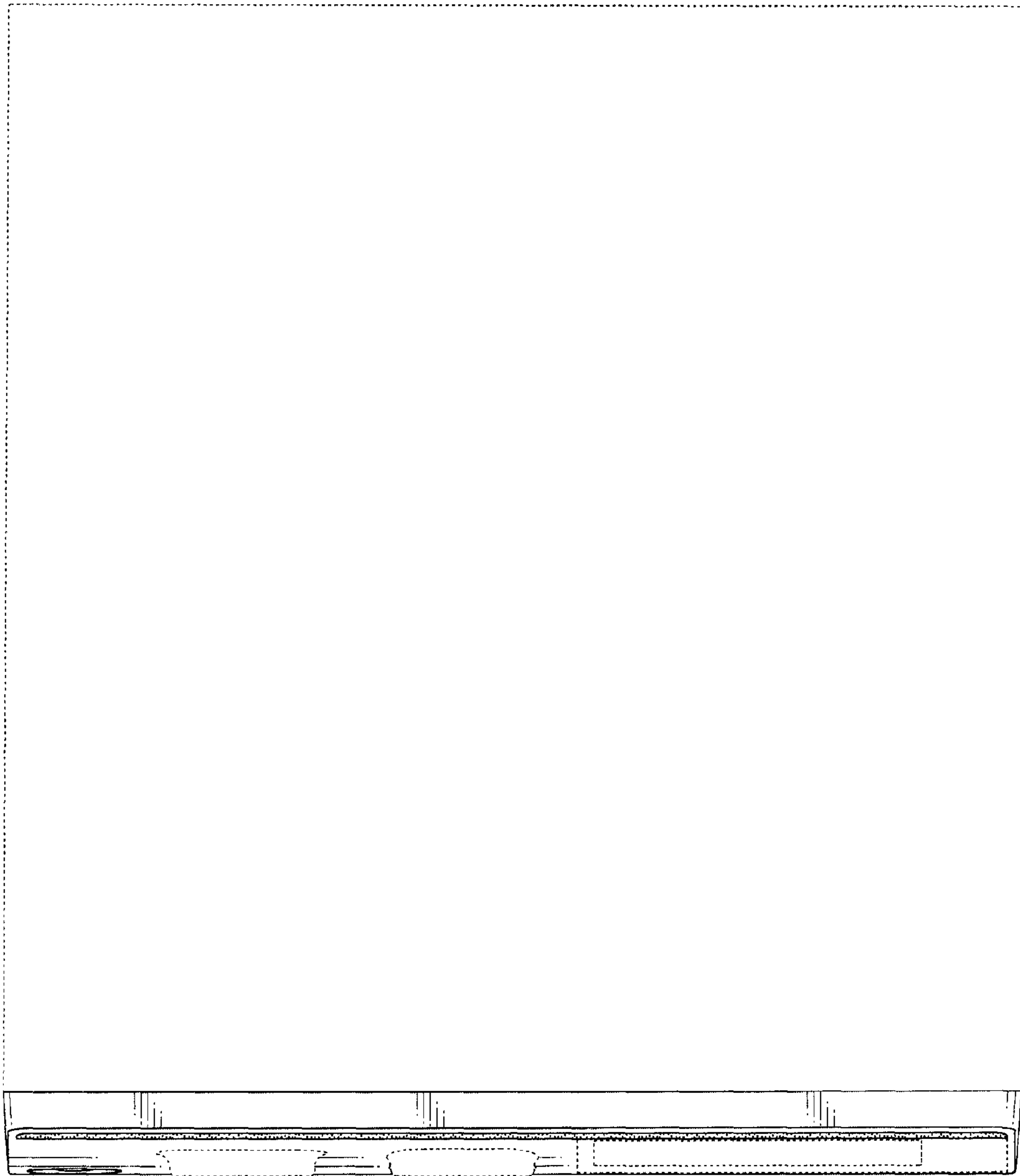


FIG. 4

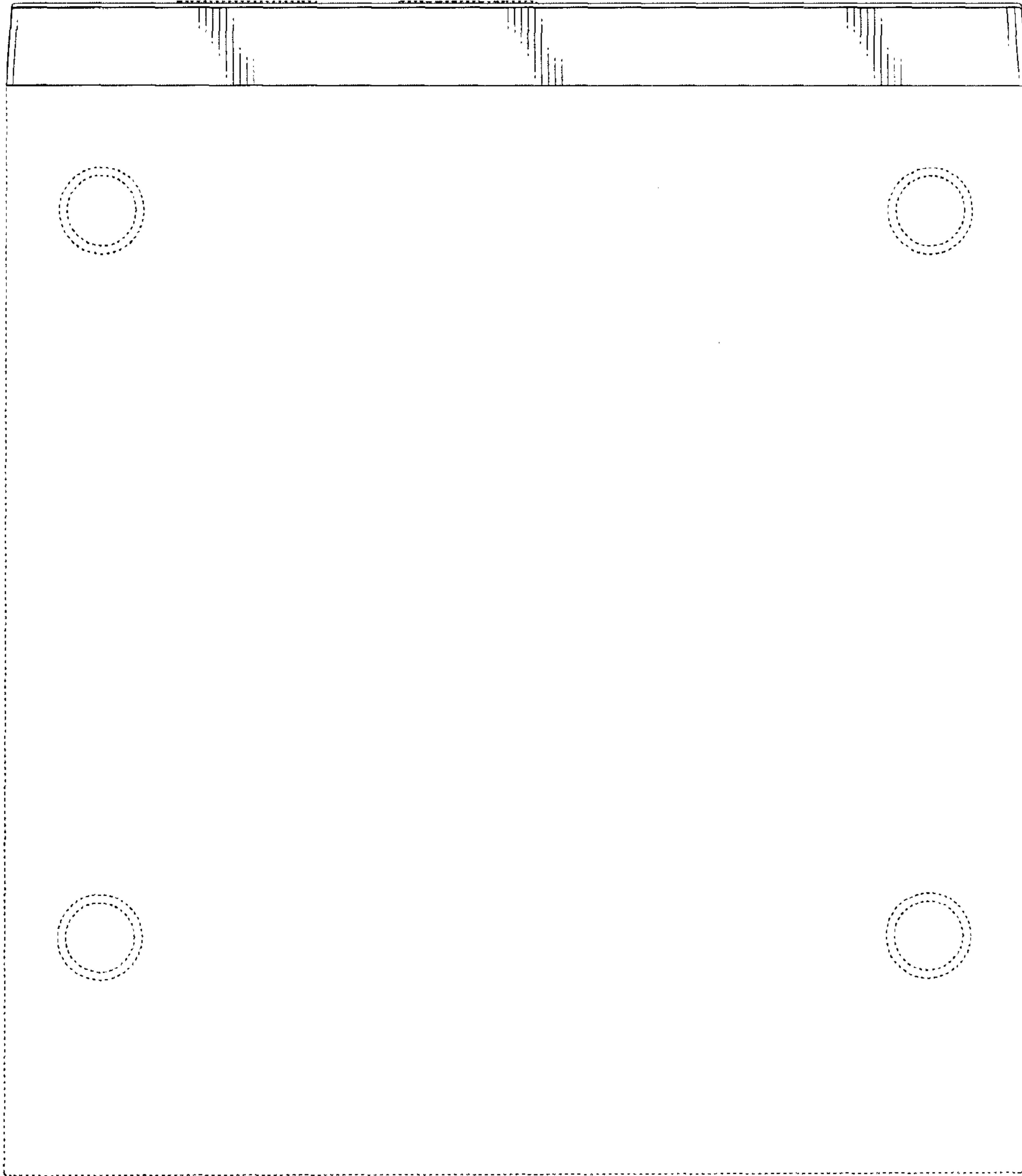


FIG.5

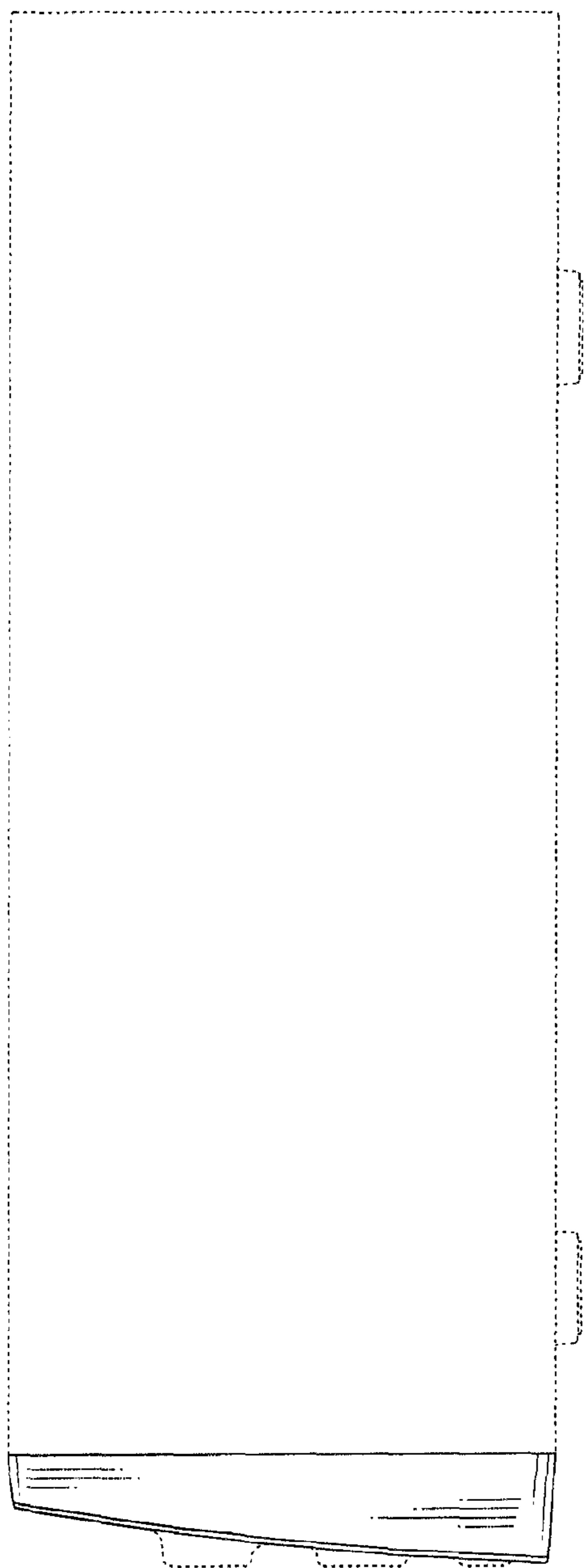


FIG. 6

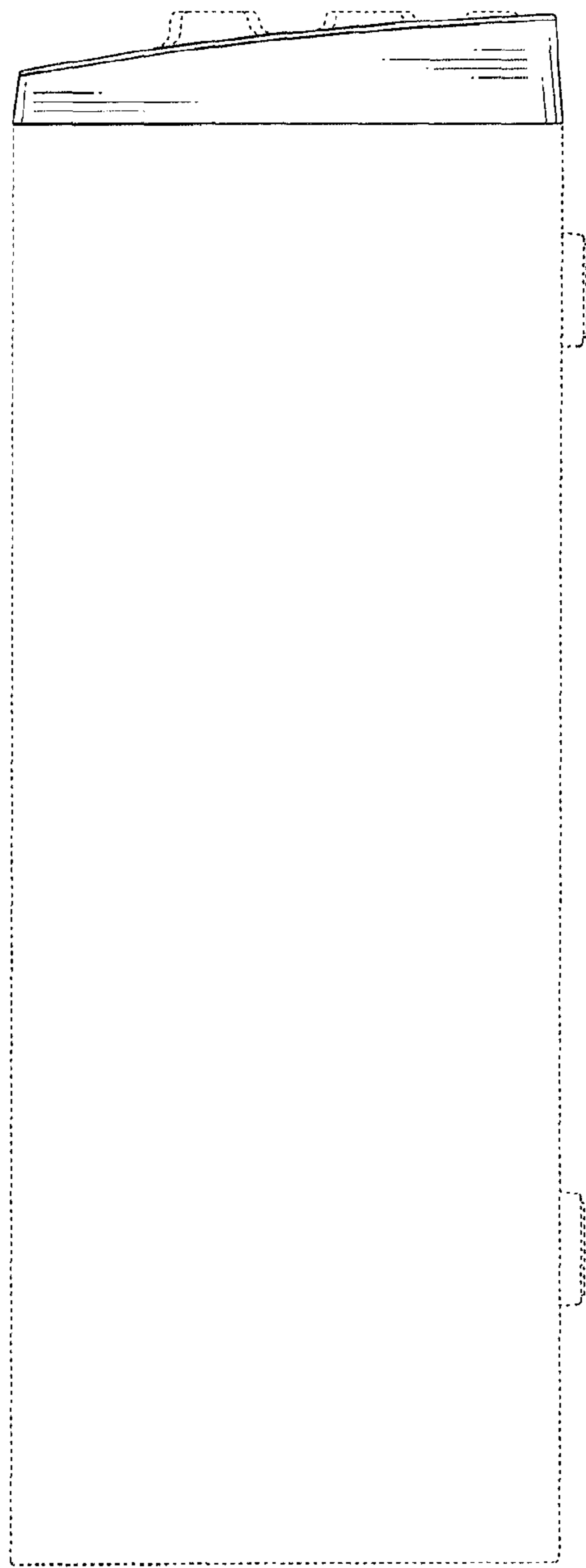


FIG. 7

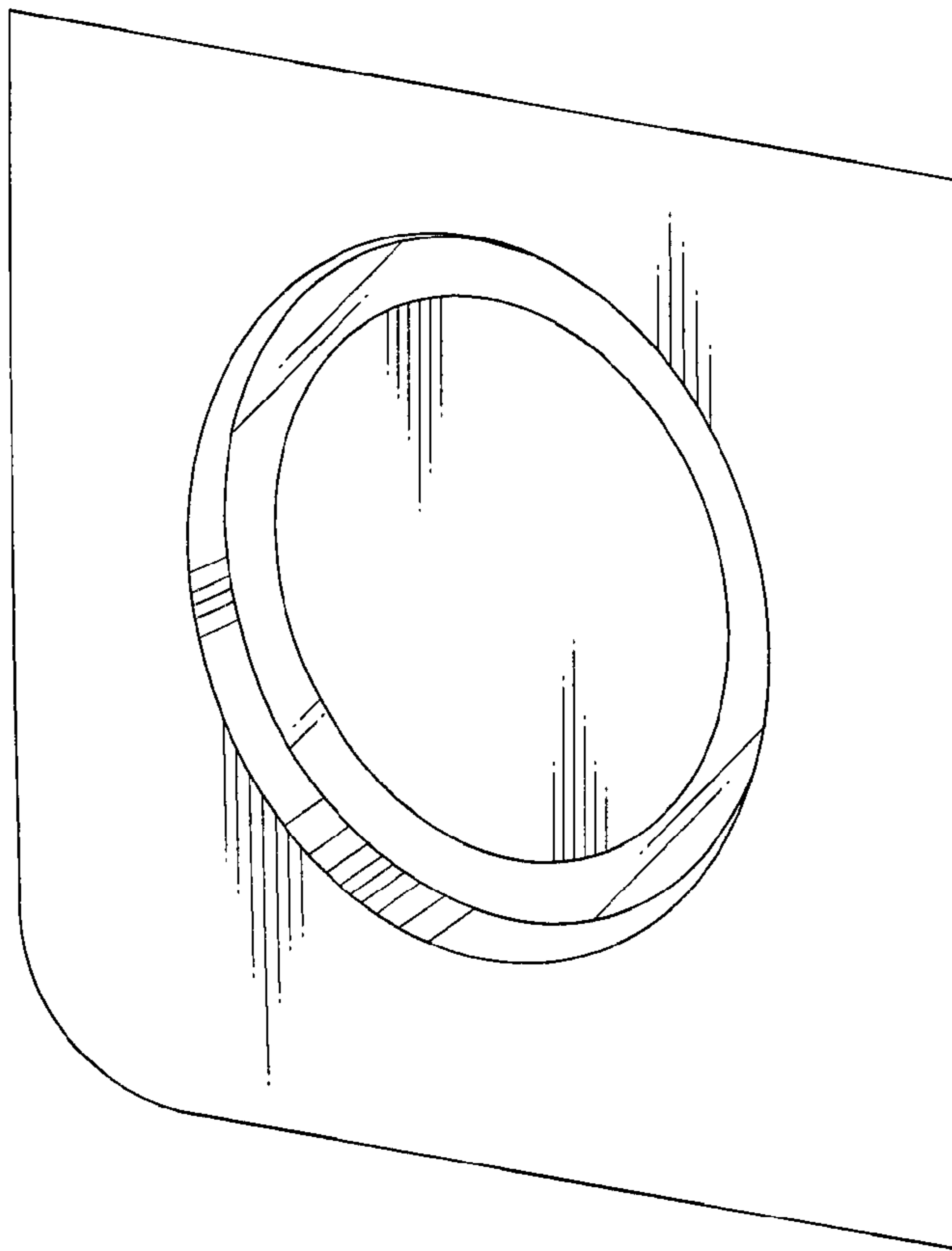


FIG. 8

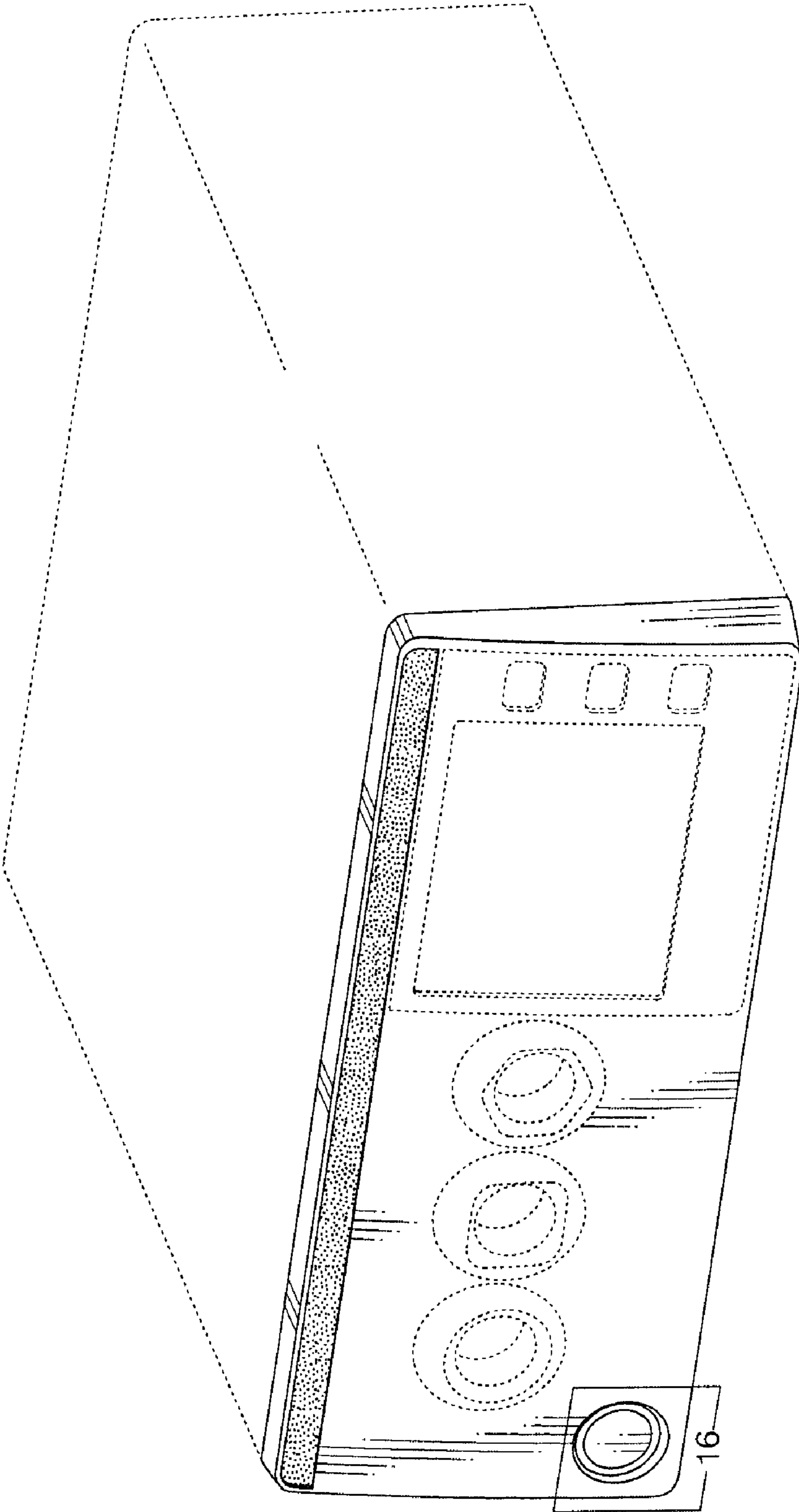


FIG. 9

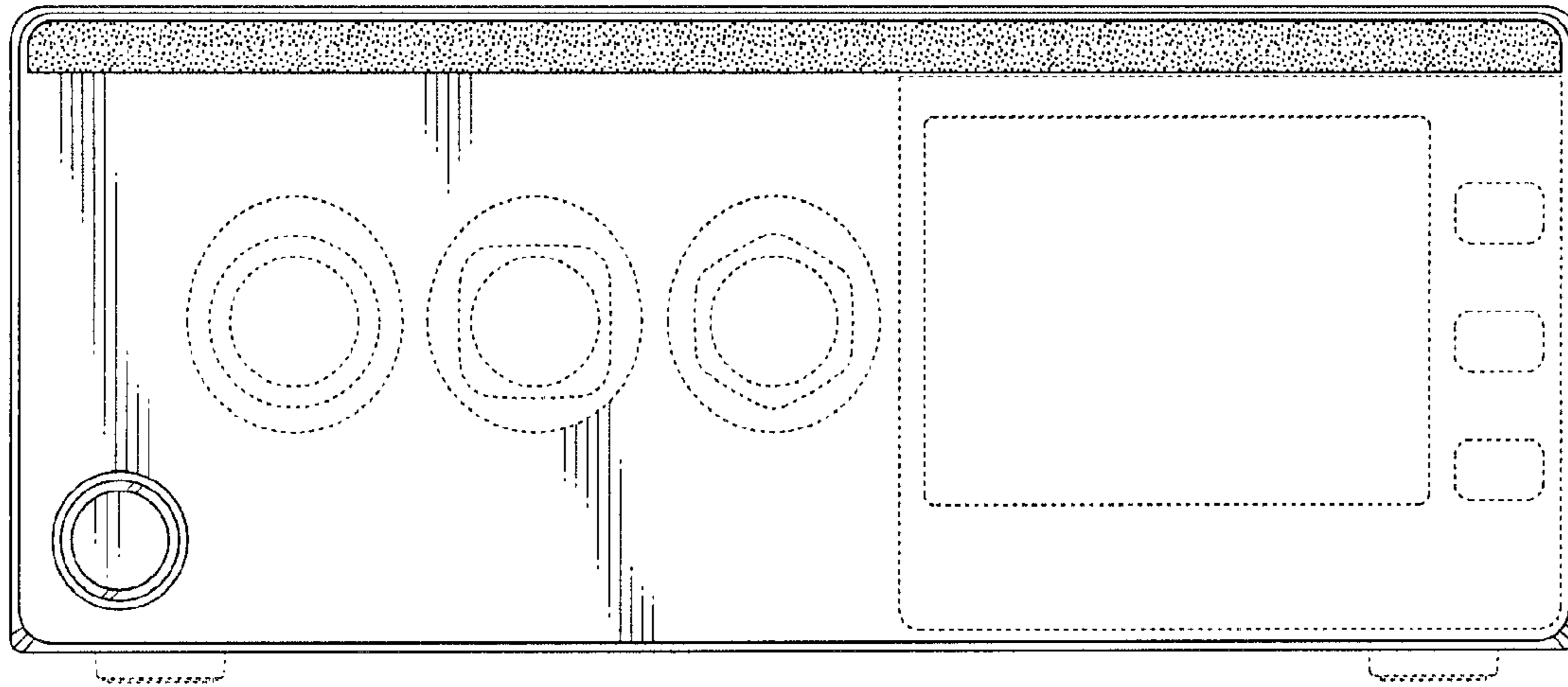


FIG. 10

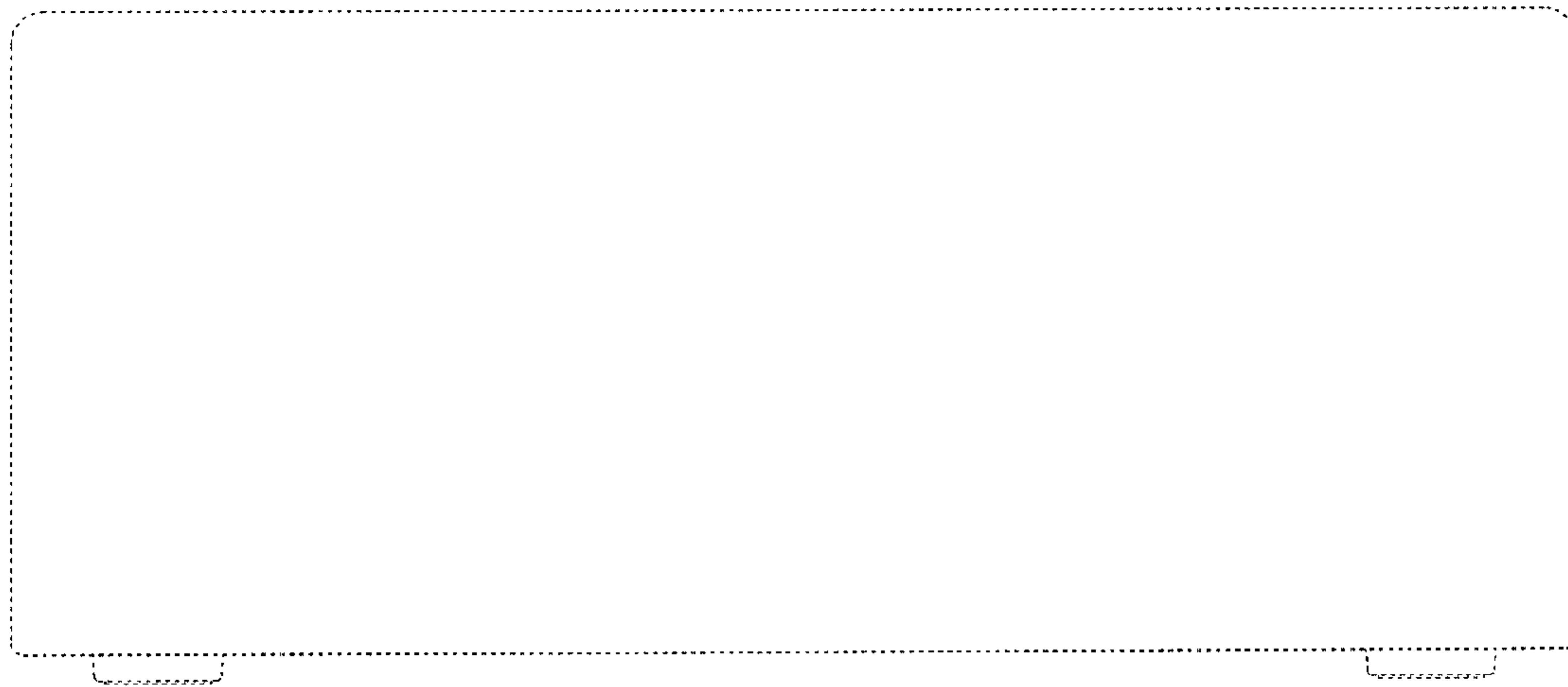


FIG. 11

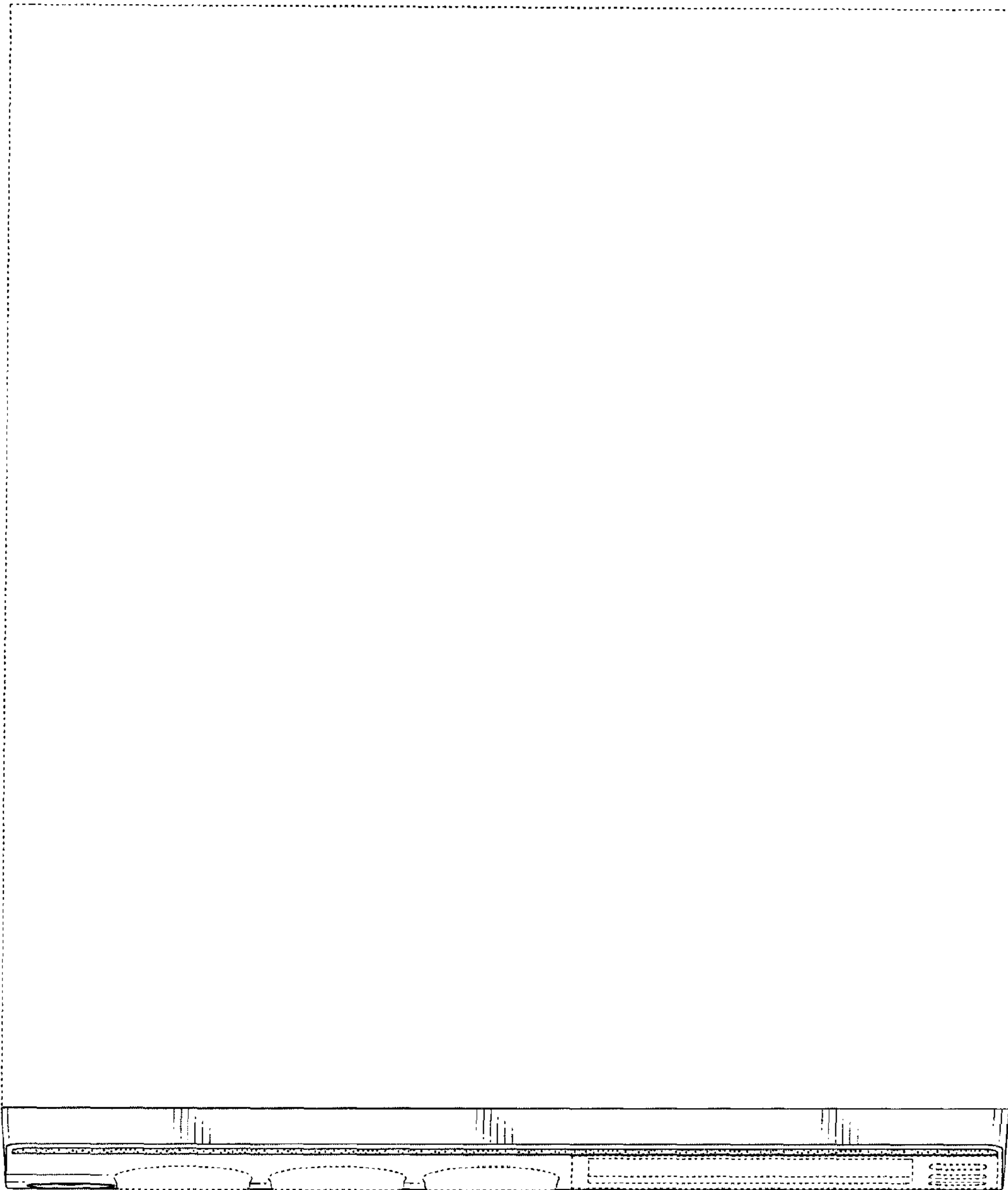


FIG. 12

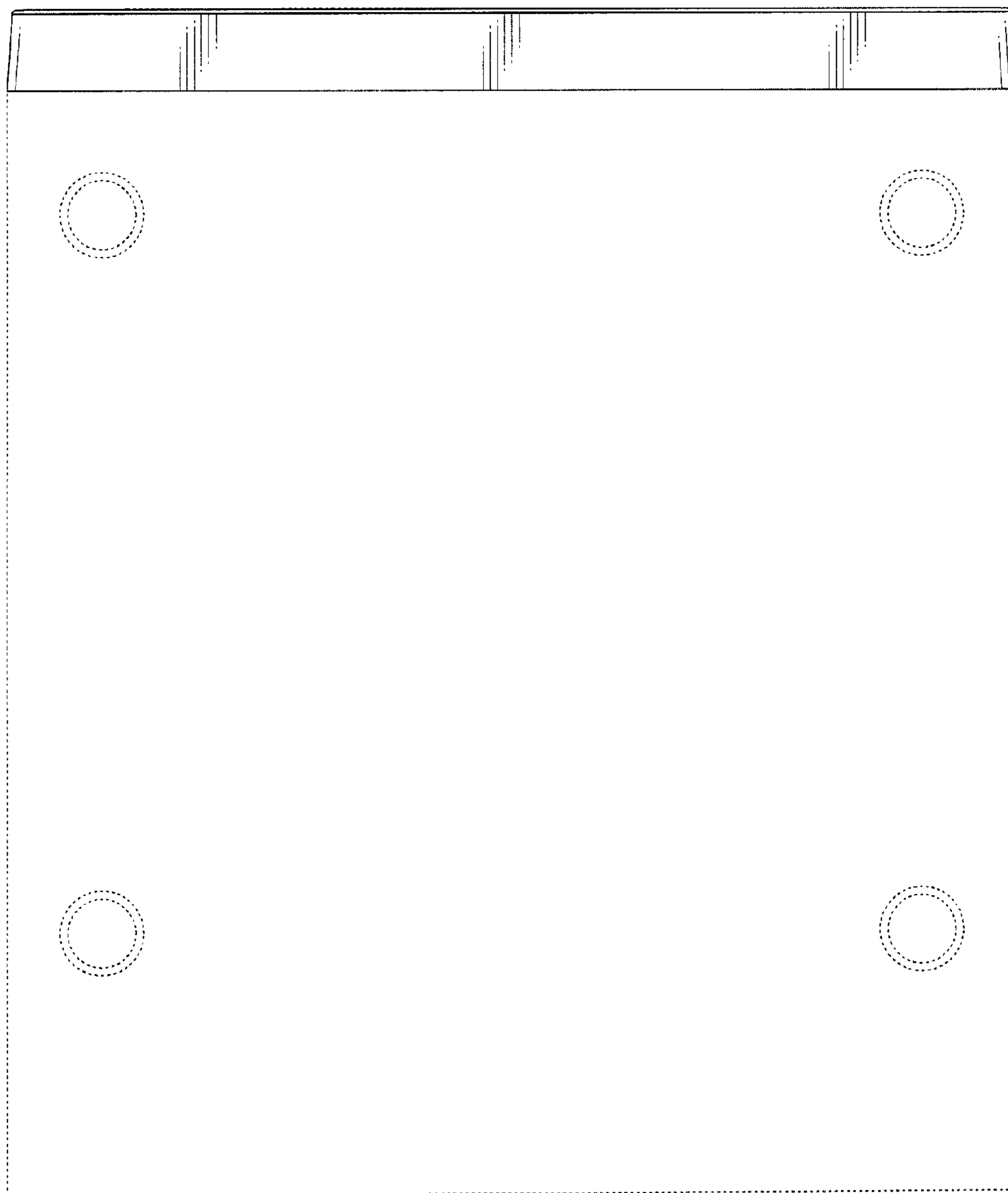


FIG.13

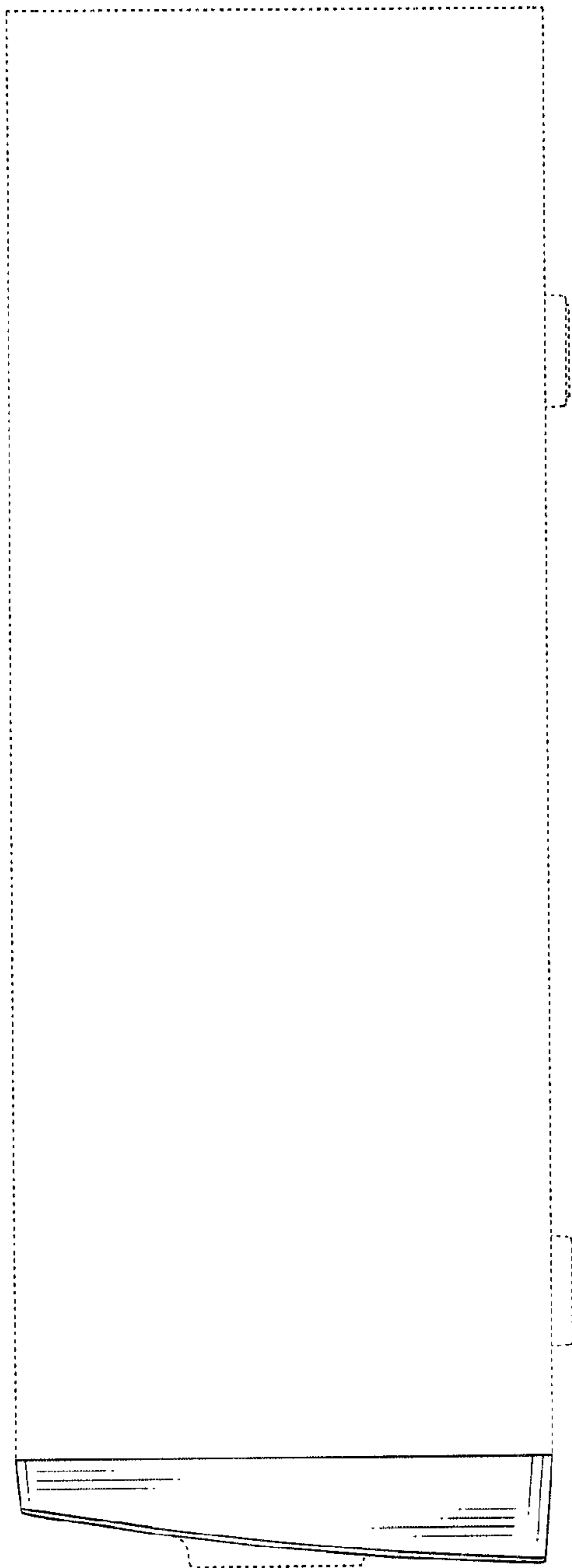


FIG.14

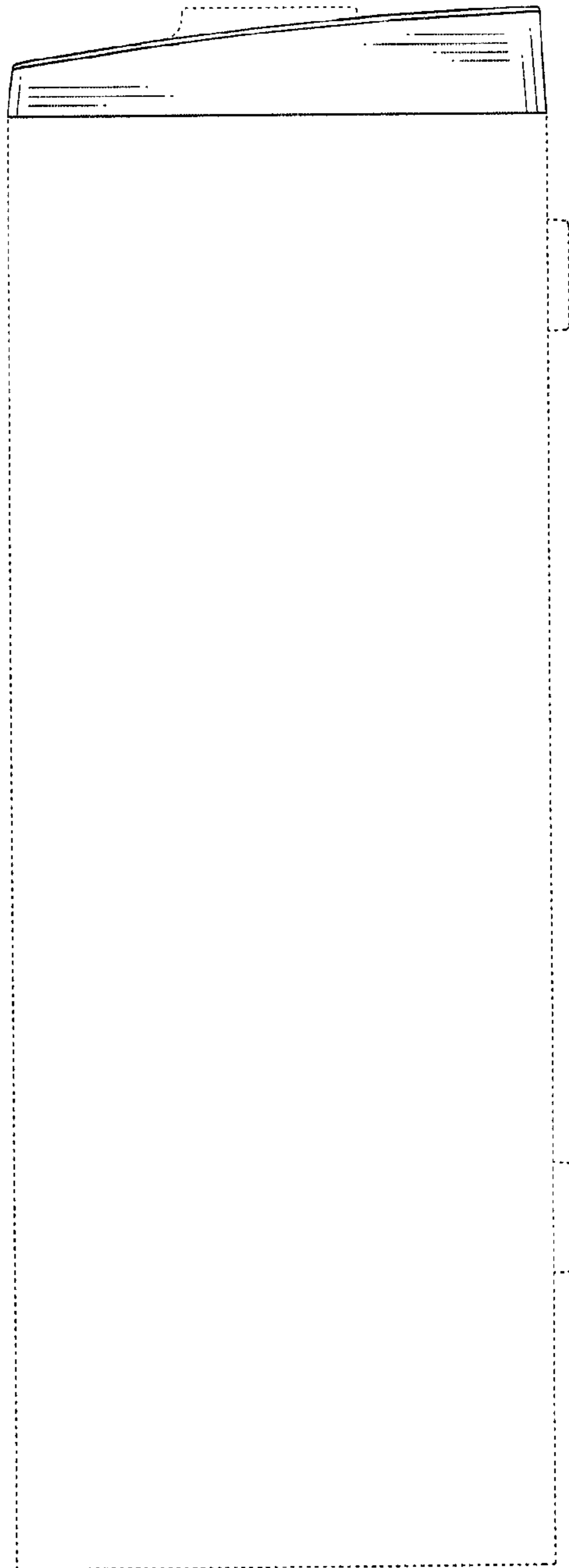


FIG.15

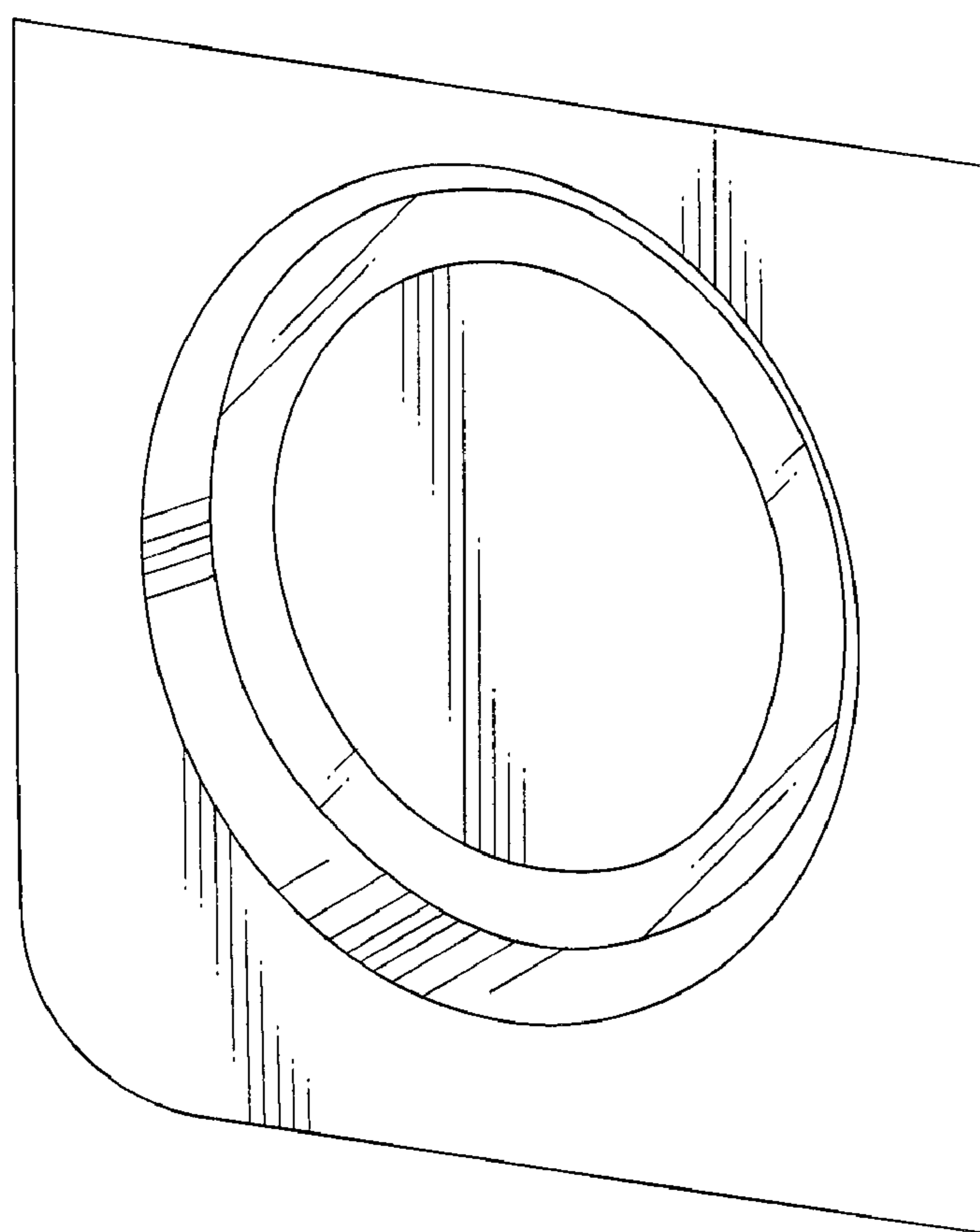


FIG.16