



US00D640375S

(12) **United States Design Patent**  
**Vidal et al.**

(10) **Patent No.:** **US D640,375 S**  
(45) **Date of Patent:** **\*\* Jun. 21, 2011**

(54) **CHILD-FRIENDLY STETHOSCOPE  
CHESTPIECE**

(76) Inventors: **Yael Vidal**, New York, NY (US); **Joel Vidal**, New York, NY (US)

(\*\*) Term: **14 Years**

(21) Appl. No.: **29/381,888**

(22) Filed: **Dec. 23, 2010**

(51) **LOC (9) Cl.** ..... **24-02**

(52) **U.S. Cl.** ..... **D24/134**

(58) **Field of Classification Search** ..... D24/134;  
181/131, 132

See application file for complete search history.

(56) **References Cited**

**U.S. PATENT DOCUMENTS**

D282,563	S *	2/1986	Beene	.....	D23/256
5,038,755	A *	8/1991	Burgio et al.	.....	600/200
D422,701	S *	4/2000	Gallagher	.....	D24/134
D423,099	S *	4/2000	Gallagher	.....	D24/134
D428,140	S *	7/2000	Swan	.....	D24/112
6,190,310	B1 *	2/2001	Cook	.....	600/200
6,520,639	B2 *	2/2003	Avner	.....	351/205
D566,837	S *	4/2008	Sternberger	.....	D24/134
D573,131	S *	7/2008	Webber	.....	D14/206

D599,564	S *	9/2009	Chiu	.....	D6/304
D612,492	S *	3/2010	Krumins	.....	D24/127
D618,793	S *	6/2010	Bonaduce	.....	D24/134
2006/0260865	A1 *	11/2006	Puder	.....	181/131

\* cited by examiner

*Primary Examiner* — Bridget L Eland

(57) **CLAIM**

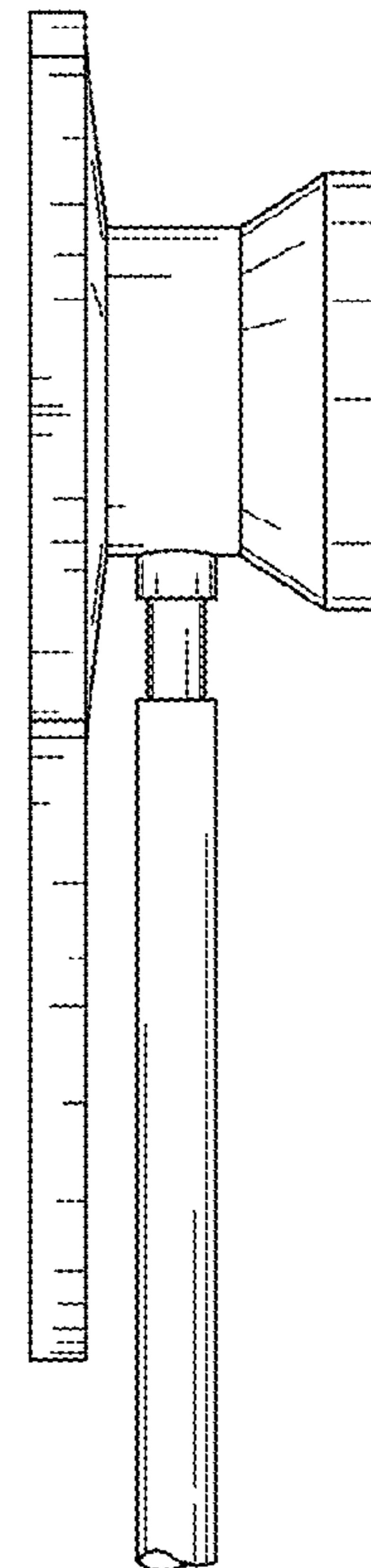
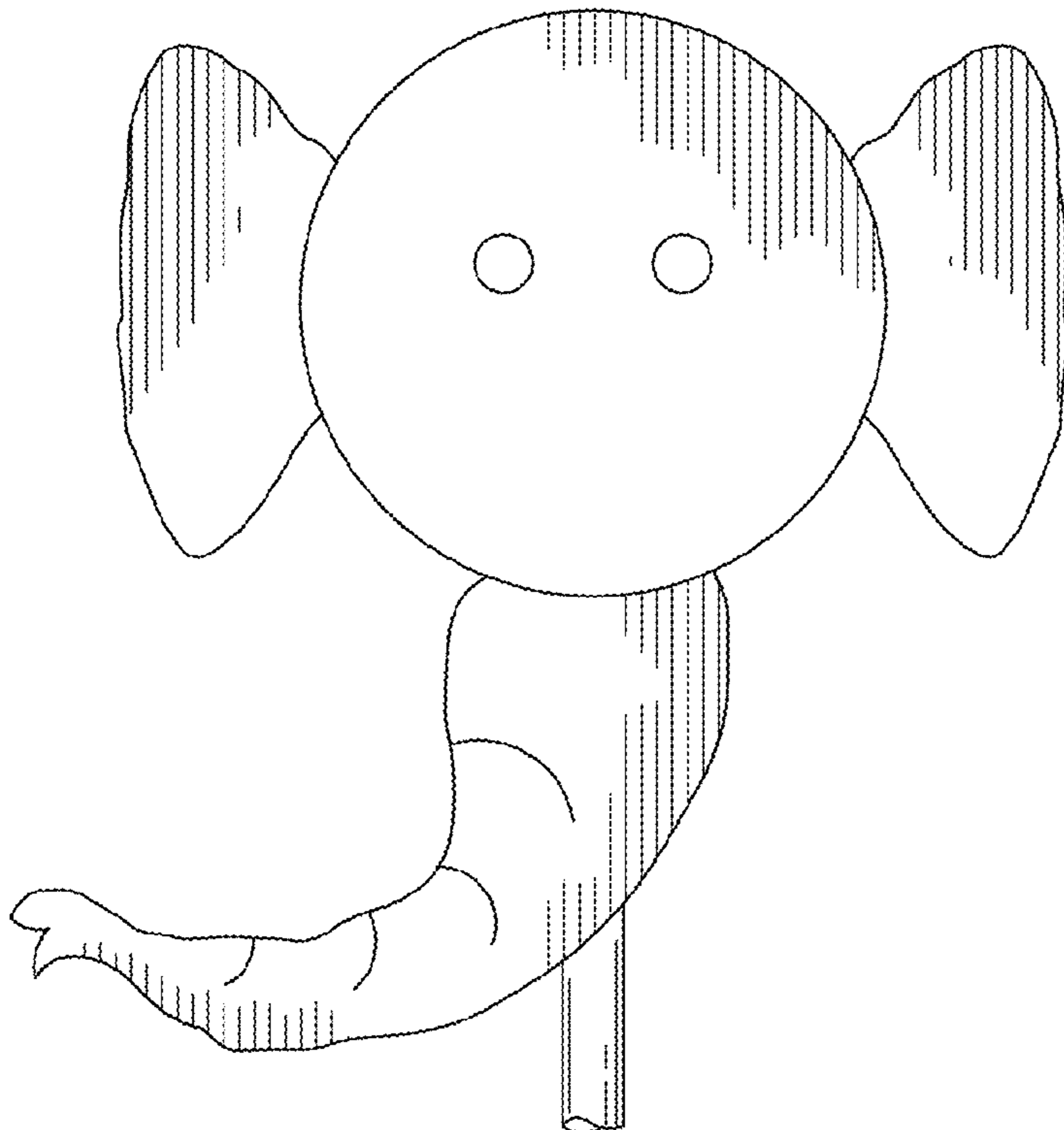
The ornamental design for a child-friendly stethoscope chest-piece, as shown and described.

**DESCRIPTION**

FIG. 1 is a perspective view of a child-friendly stethoscope chest-piece showing our new design; FIG. 2 is a front view thereof; FIG. 3 is a rear view thereof; FIG. 4 is a right side view thereof; FIG. 5 is a left side view thereof; FIG. 6 is a top view thereof; and, FIG. 7 is a bottom view thereof.

The broken lines immediately adjacent the shaded areas represent the bounds of the claimed design, while all other lines are directed to environment and are for illustrative purposes only; the broken lines form no part of the claimed design.

**1 Claim, 4 Drawing Sheets**



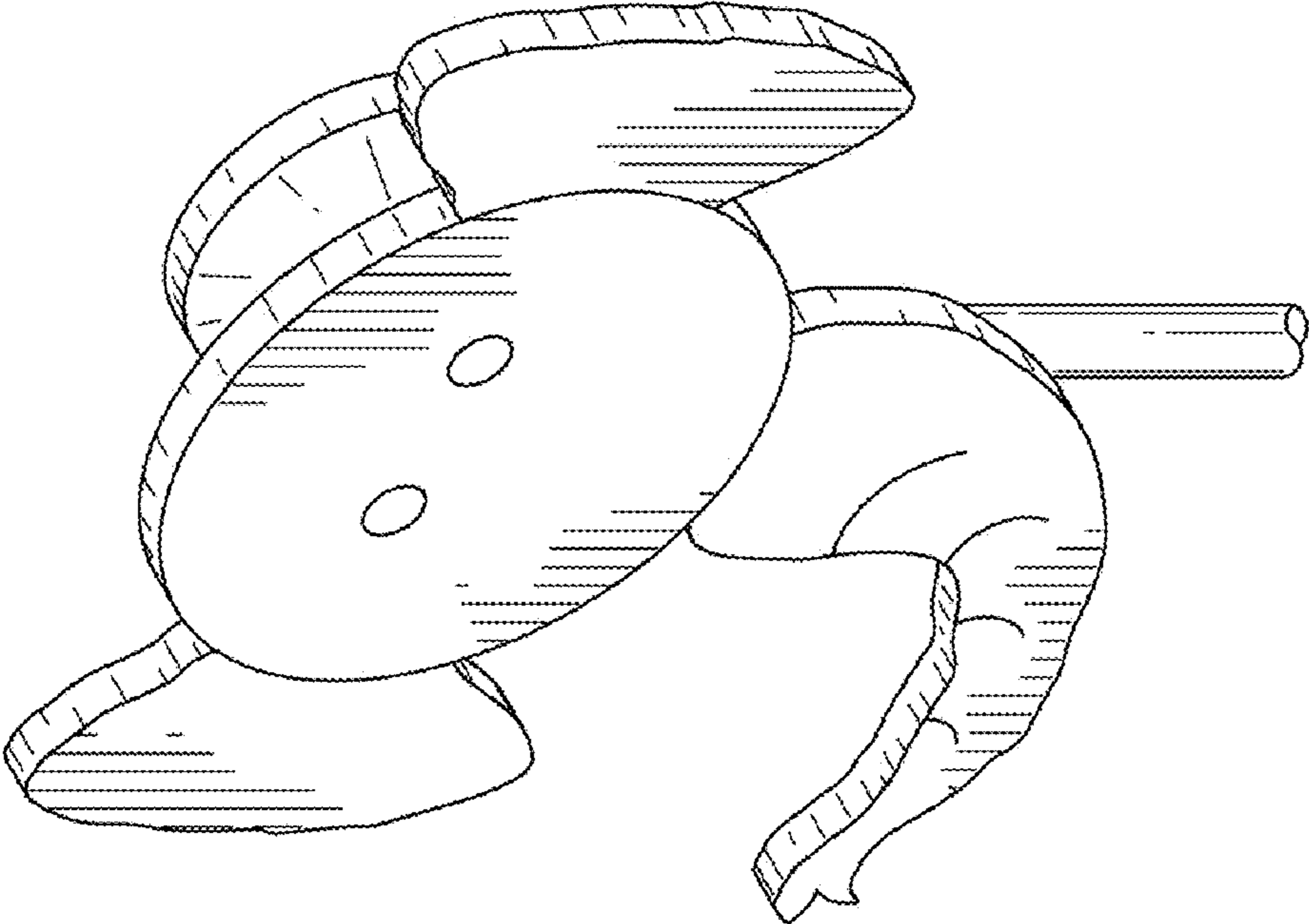


FIG. 1

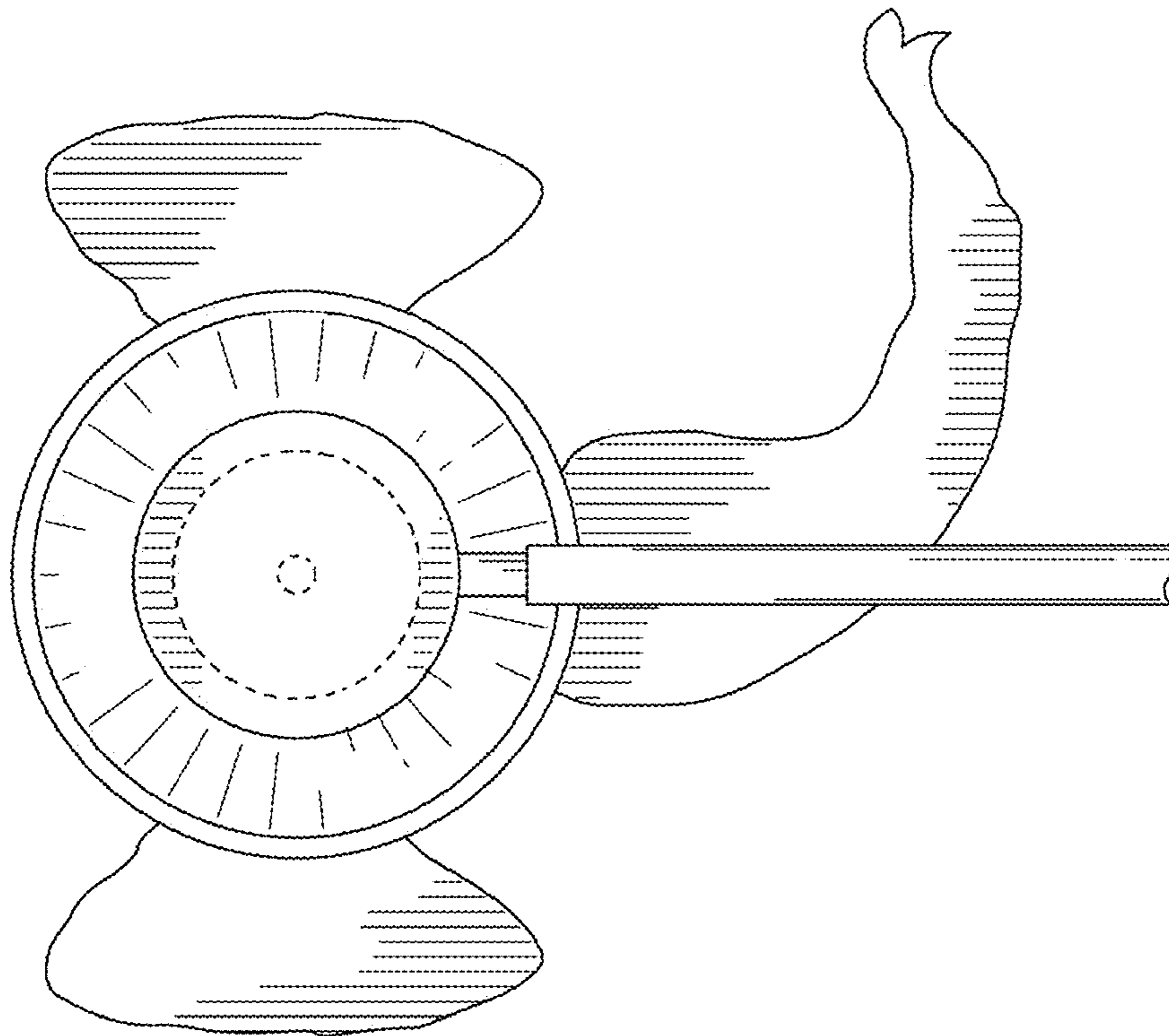


FIG. 3

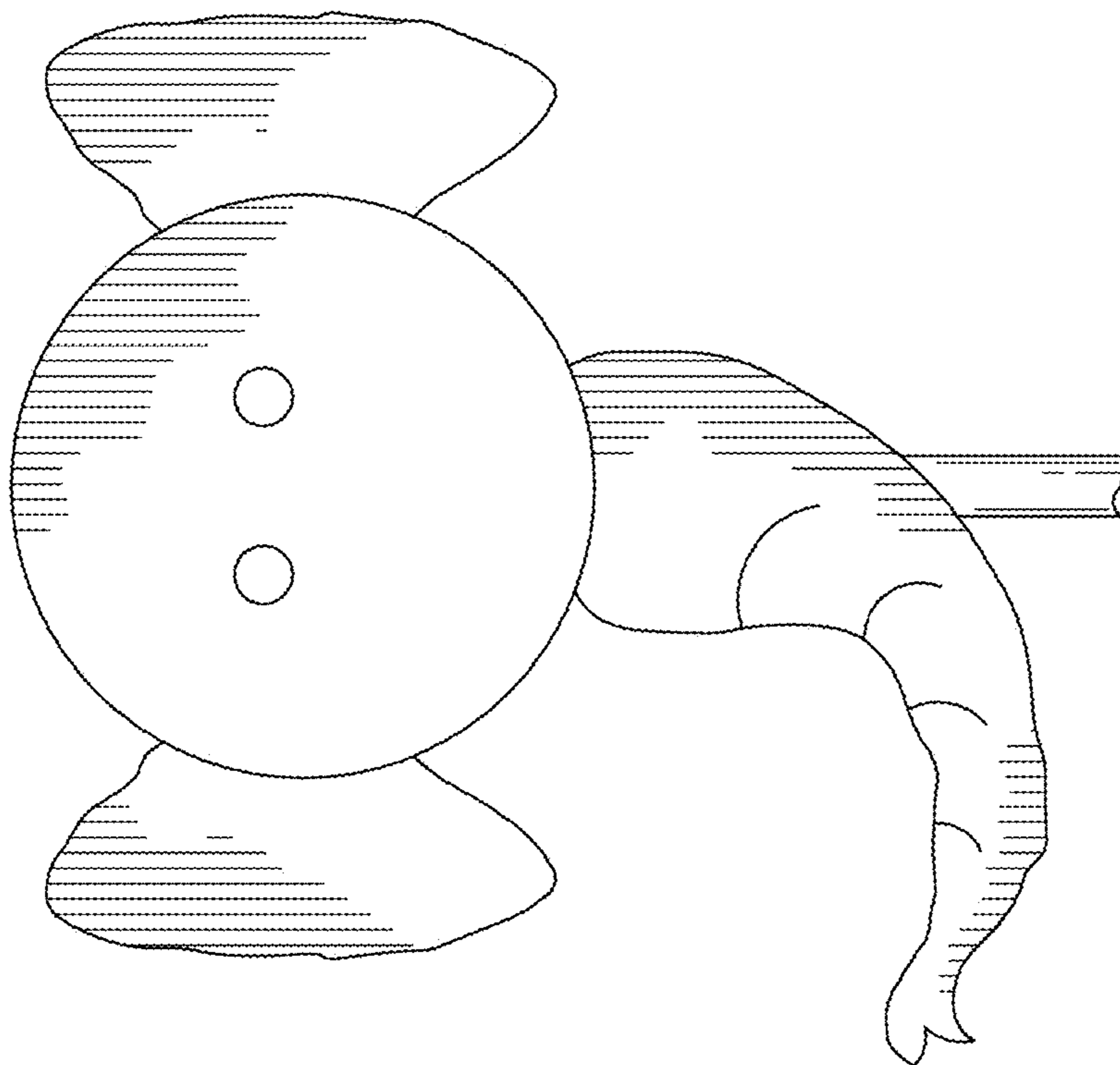


FIG. 2

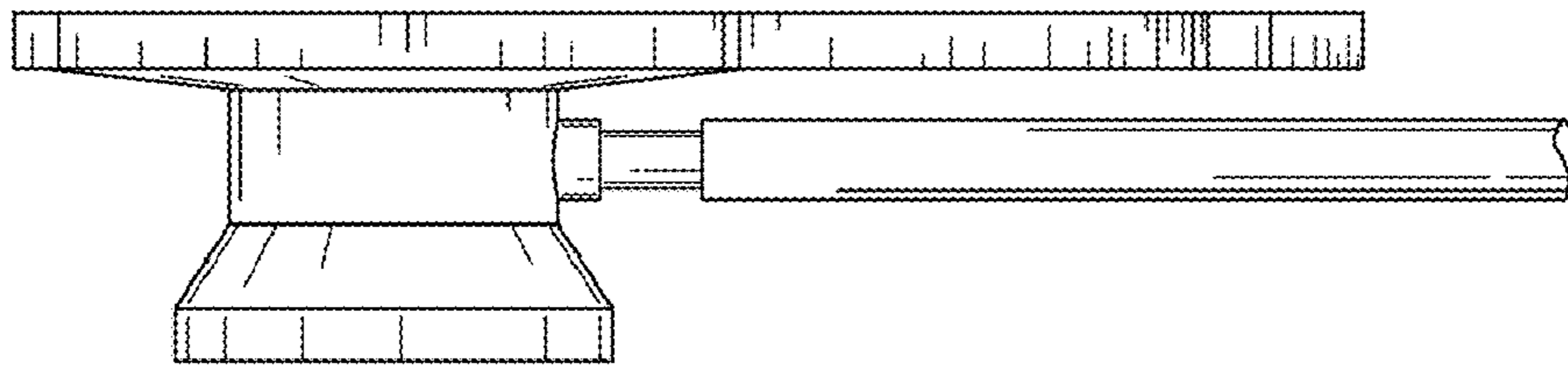


FIG. 5

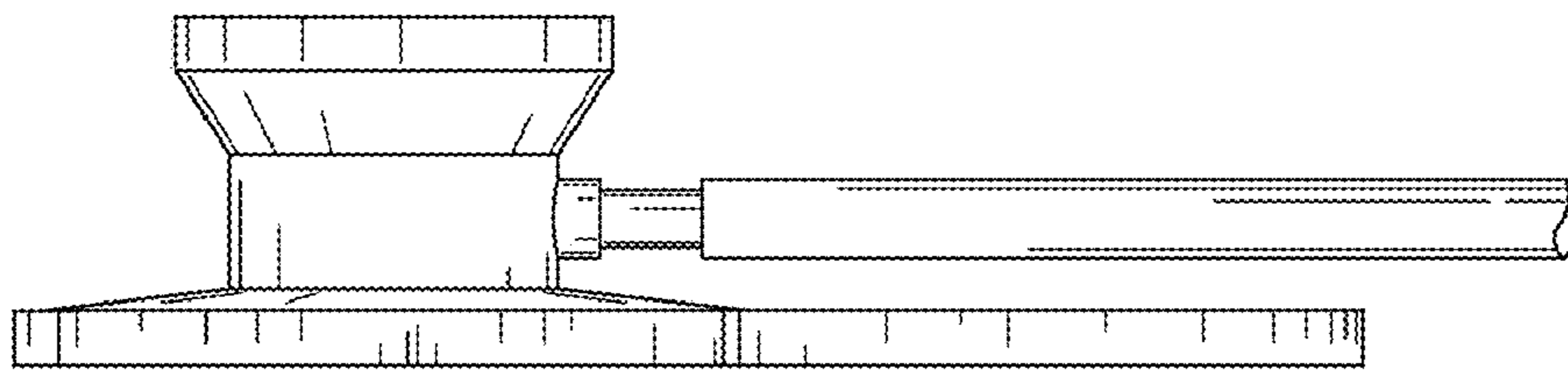


FIG. 4

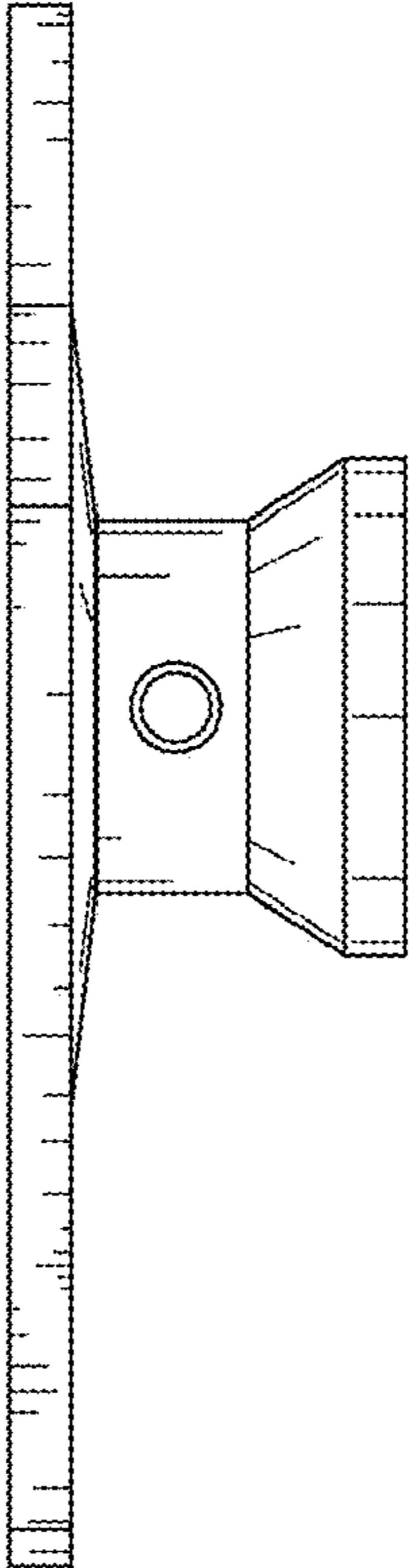


FIG. 7

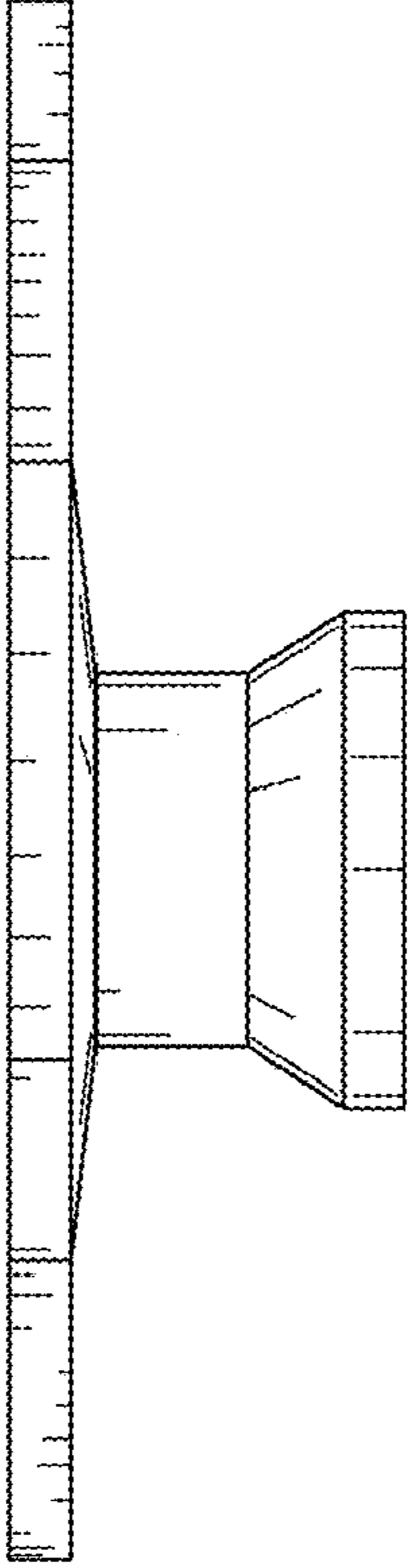


FIG. 6