



US00D640373S

(12) **United States Design Patent**
Sobiech et al.

(10) **Patent No.:** **US D640,373 S**
(45) **Date of Patent:** **** Jun. 21, 2011**

(54) **HANDPIECE FOR A DERMATOLOGICAL OPTICAL DELIVERY SYSTEM**

(75) Inventors: **Jeffrey L. Sobiech**, San Jose, CA (US);
David A. Dewey, Sunnyvale, CA (US);
D. Shane Fitzgibbons, San Jose, CA (US)

(73) Assignee: **Reliant Technologies, Inc.**, Mountain View, CA (US)

(**) Term: **14 Years**

(21) Appl. No.: **29/305,889**

(22) Filed: **Mar. 28, 2008**

(51) **LOC (9) Cl.** **24-02**

(52) **U.S. Cl.** **D24/133**

(58) **Field of Classification Search** D24/107,
D24/133, 209, 210, 167; 606/4, 9, 2, 16,
606/13, 1, 10, 11, 12, 15, 17

See application file for complete search history.

(56) **References Cited**

U.S. PATENT DOCUMENTS

D329,092 S *	9/1992	Carusillo et al.	D24/146
D425,980 S *	5/2000	Last et al.	D24/107
D535,397 S *	1/2007	Chen	D24/146
D589,650 S *	3/2009	Adriaenssen	D28/44.1
D598,102 S *	8/2009	Hull, Jr.	D24/146
D601,697 S *	10/2009	Sobiech et al.	D24/133

OTHER PUBLICATIONS

U.S. Appl. No. 29/305,887, filed Mar. 28, 2008, first named Inventor Jeffrey Sobiech.

* cited by examiner

Primary Examiner — Ian Simmons

Assistant Examiner — Carissa C Fitts

(74) *Attorney, Agent, or Firm* — Wood, Herron & Evans, LLP

(57) **CLAIM**

The ornamental design for a handpiece for a dermatological optical delivery system, as shown and described.

DESCRIPTION

FIG. 1 is a perspective view showing the top, front side, and right side of a handpiece for a dermatological optical delivery system according to our new design;

FIG. 2 is a perspective view showing the top, rear side, and left side thereof;

FIG. 3 is a front view thereof;

FIG. 4 is a rear view thereof;

FIG. 5 is a left side view thereof;

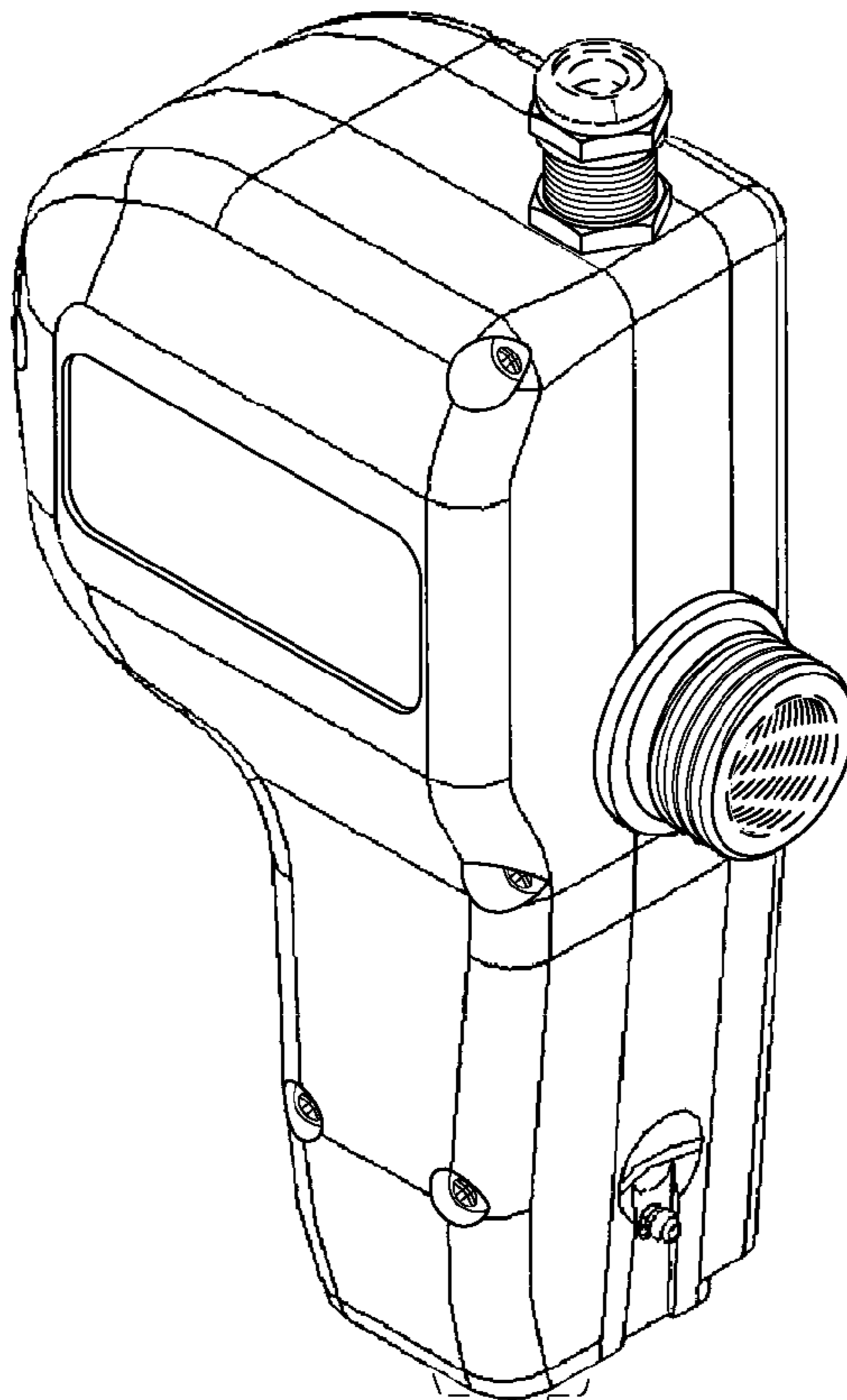
FIG. 6 is a right side view thereof;

FIG. 7 is a top view thereof; and,

FIG. 8 is a bottom view thereof.

The elements shown in broken lines are for environmental purposes only and form no part of the claimed design.

1 Claim, 4 Drawing Sheets



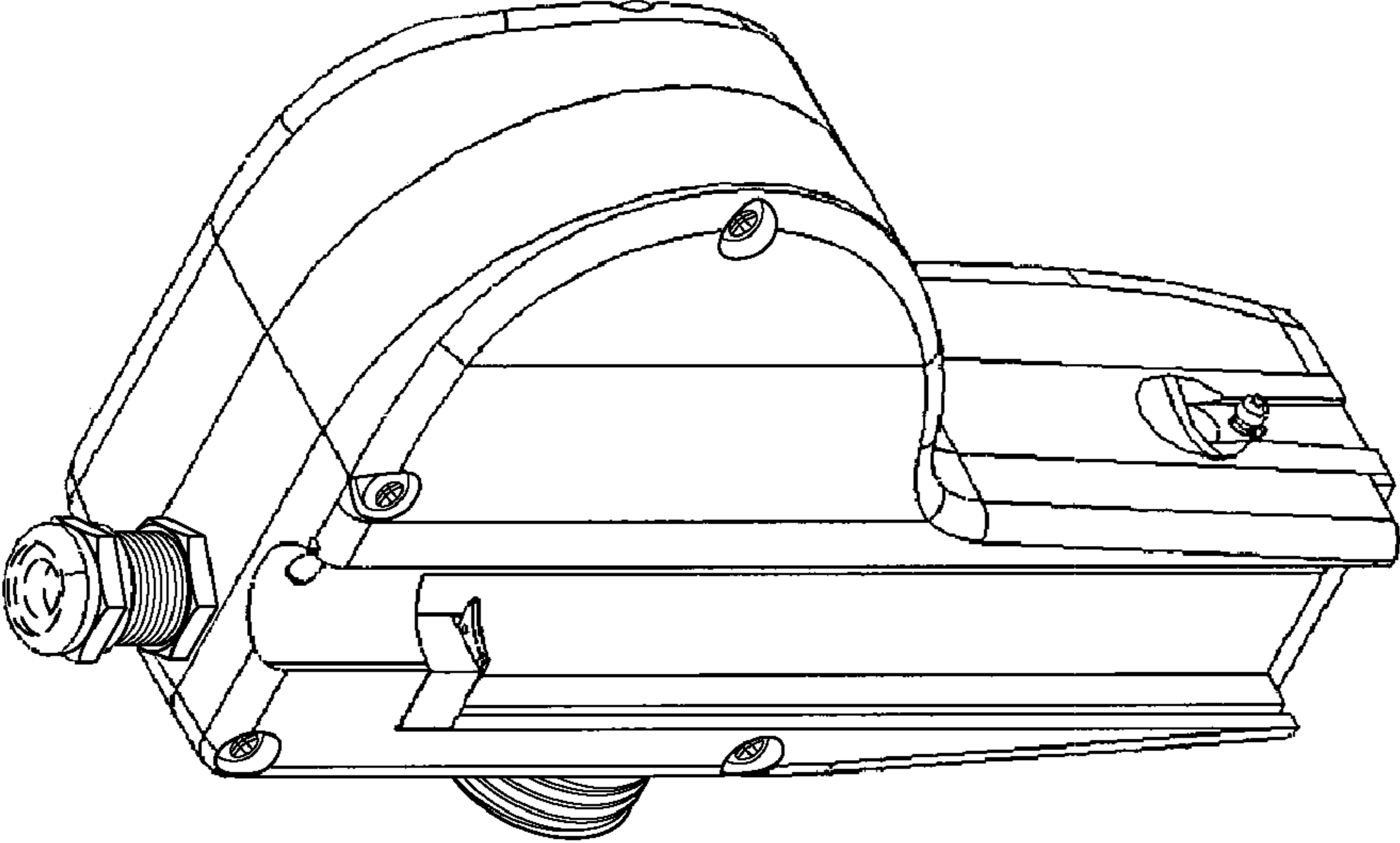


FIG. 1

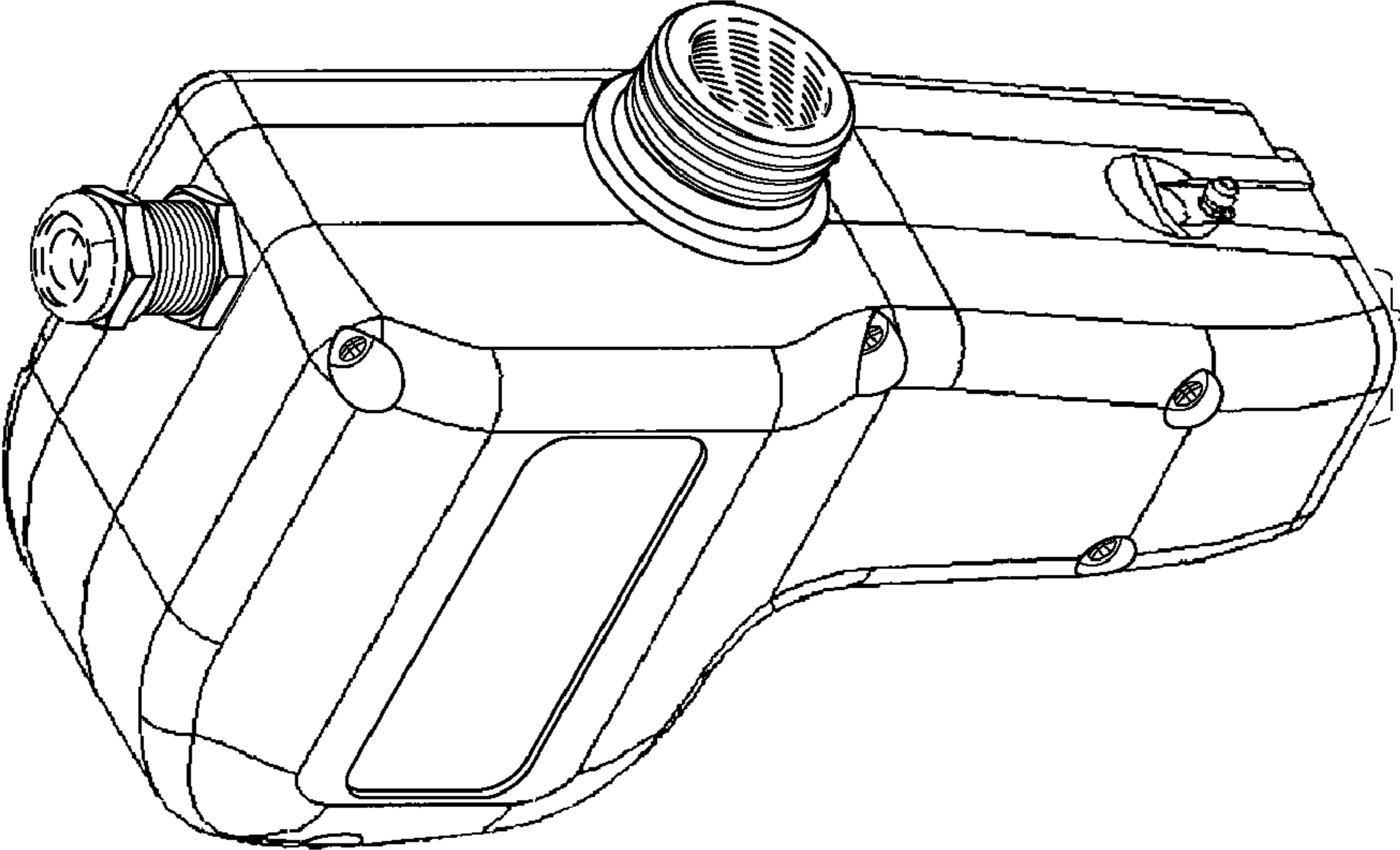


FIG. 2

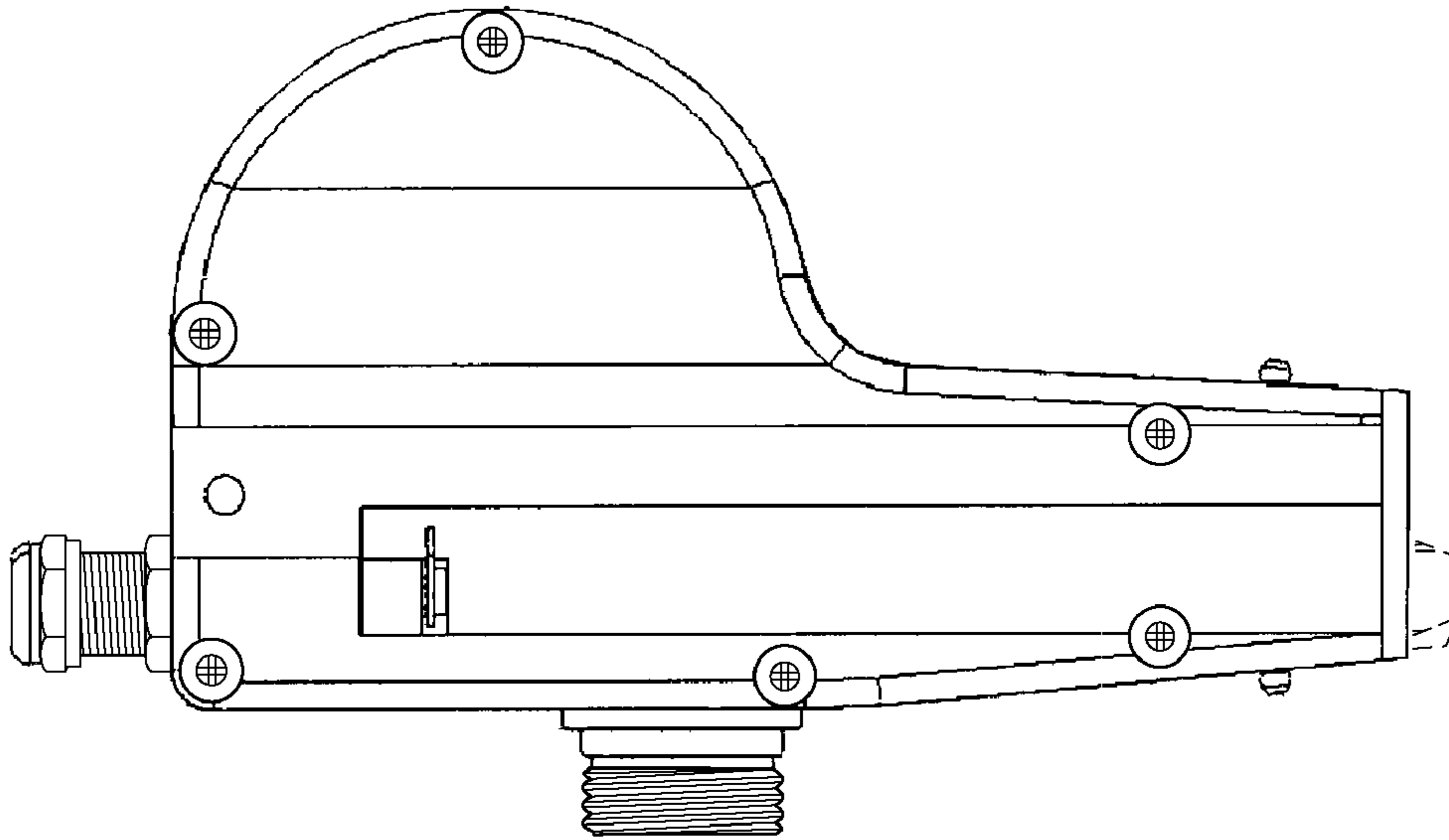


FIG. 4

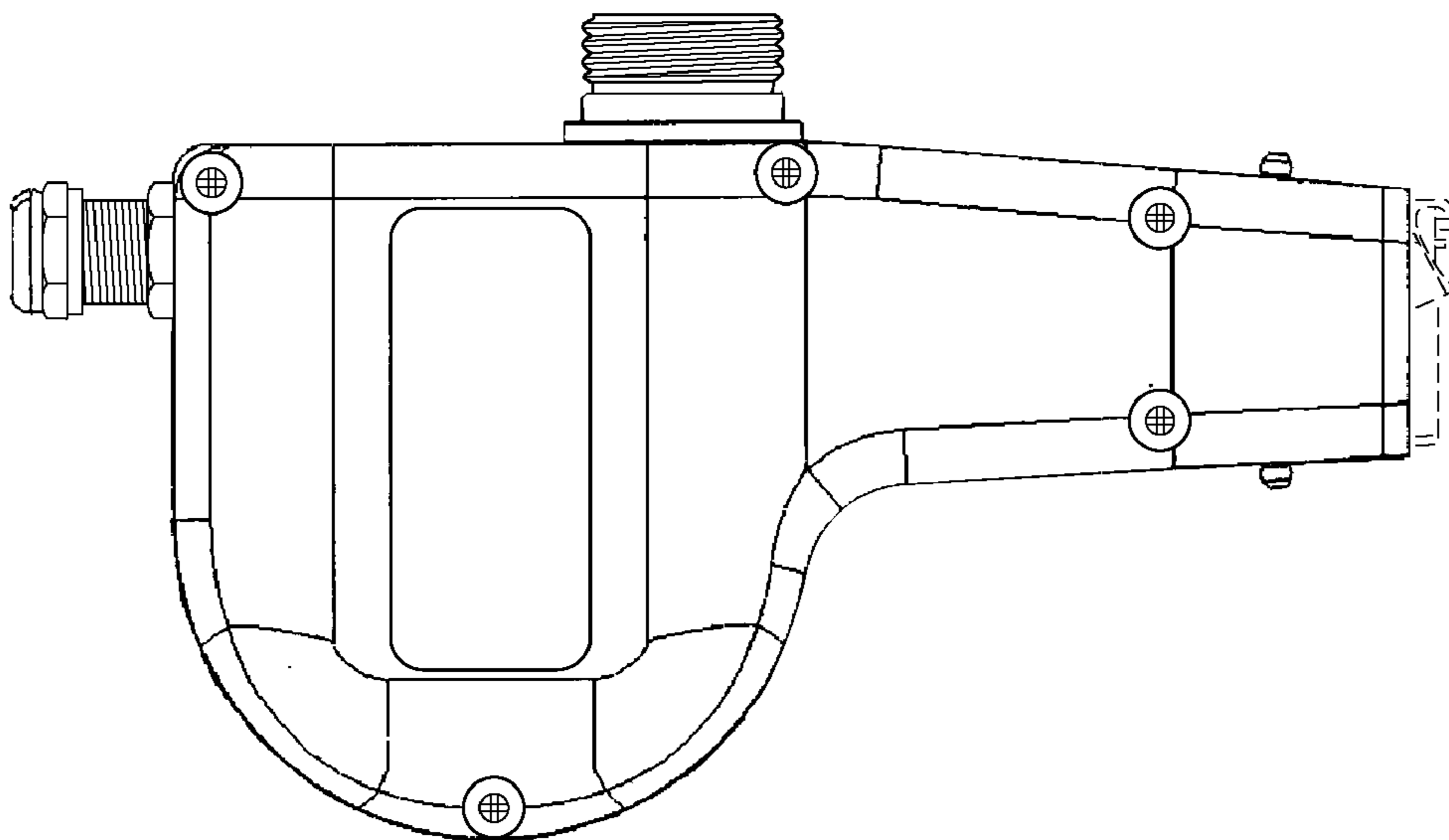


FIG. 3

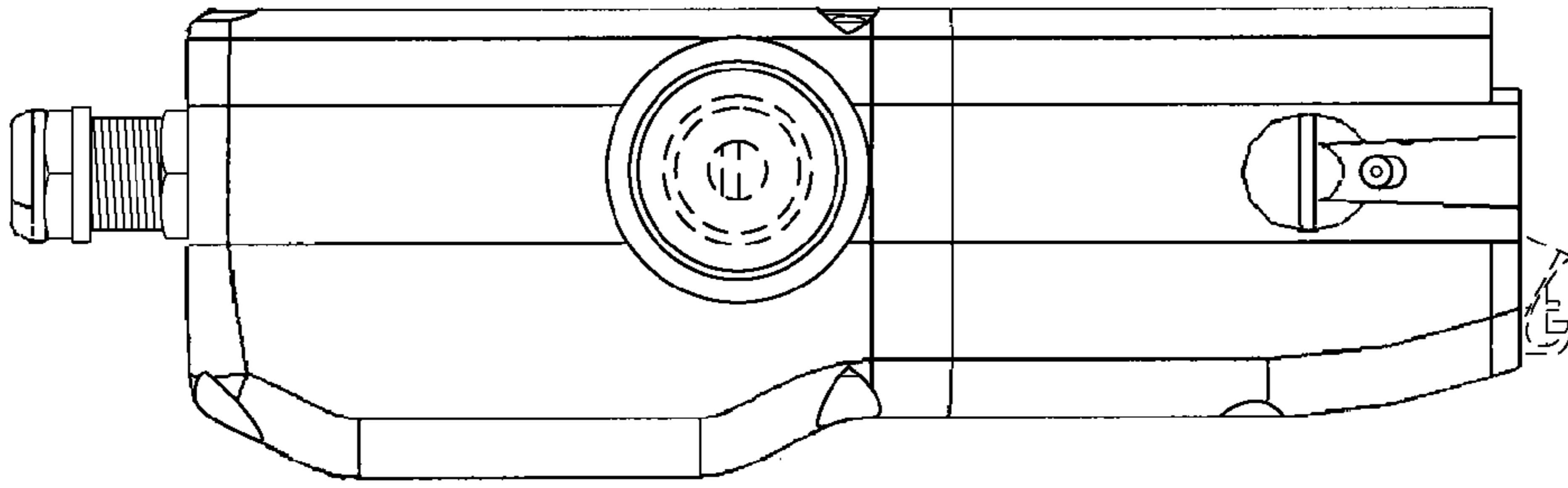


FIG. 6

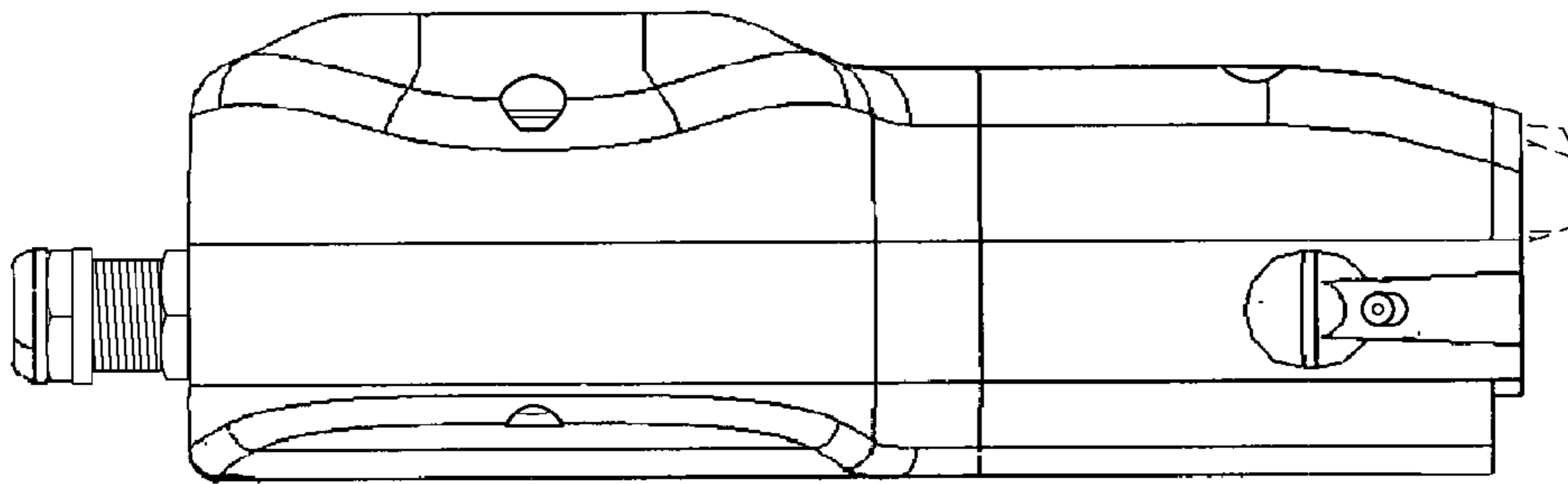


FIG. 5

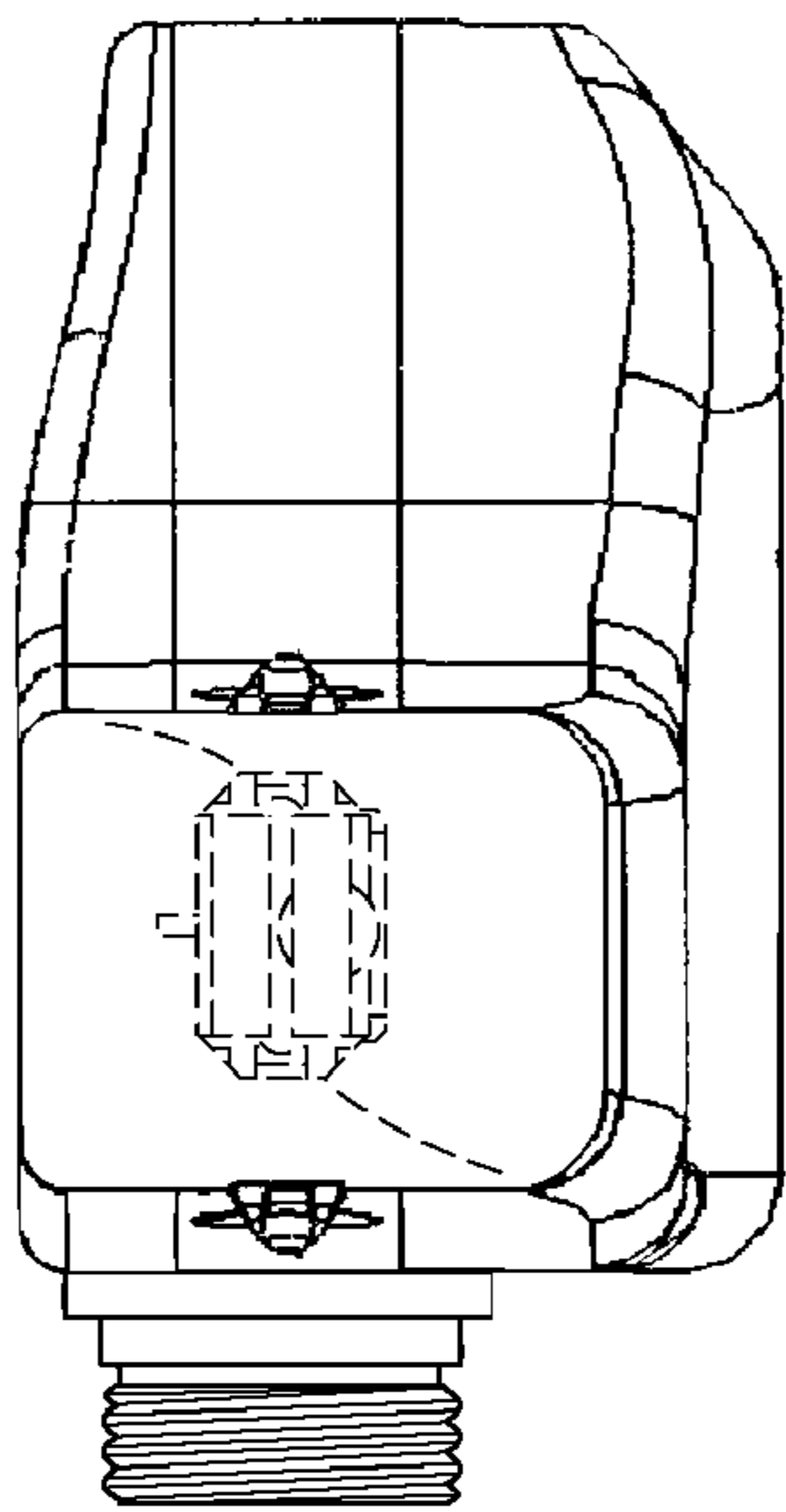


FIG. 7

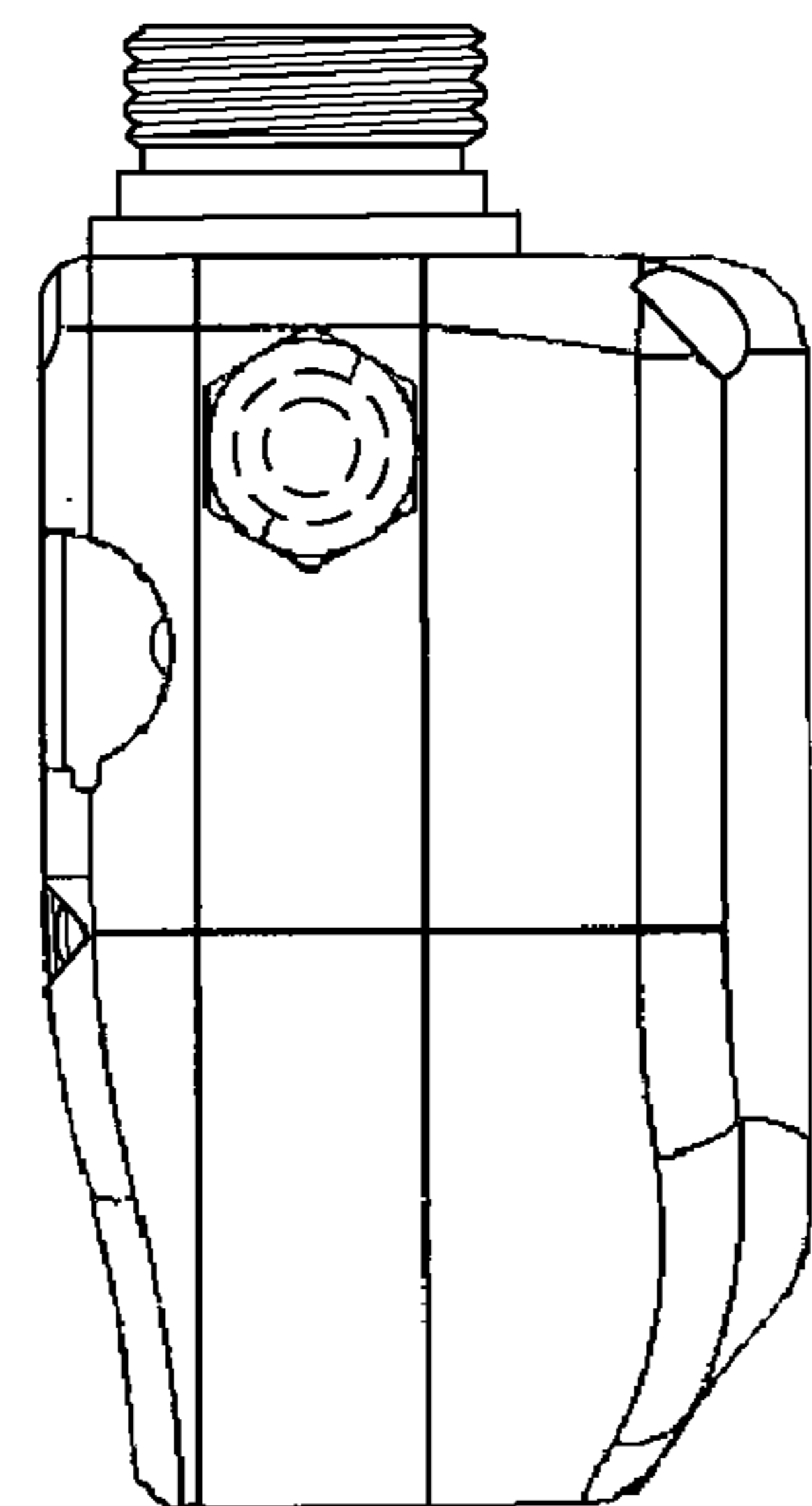


FIG. 8