



US00D640370S

(12) **United States Design Patent**
Fujioka et al.

(10) **Patent No.:** **US D640,370 S**
(45) **Date of Patent:** **** Jun. 21, 2011**

(54) **SYRINGE DRIVE DEVICE**

(75) Inventors: **Soichiro Fujioka**, Osaka (JP); **Mizuho Sakakibara**, Tokyo (JP); **Tohru Nakamura**, Osaka (JP)

(73) Assignee: **Panasonic Corporation**, Osaka (JP)

(**) Term: **14 Years**

(21) Appl. No.: **29/366,587**

(22) Filed: **Jul. 27, 2010**

(30) **Foreign Application Priority Data**

Jan. 29, 2010 (JP) 2010-002030

(51) **LOC (9) Cl.** **24-02**

(52) **U.S. Cl.** **D24/113**

(58) **Field of Classification Search** D24/112–114,
D24/133, 186, 104, 130, 127; 606/181, 185;
604/232, 187, 158, 164.08, 192, 263, 163,
604/181, 184, 198, 227; D22/100–105, 10;
D21/572–574

See application file for complete search history.

(56) **References Cited**

U.S. PATENT DOCUMENTS

4,968,303	A	*	11/1990	Clarke et al.	604/187
D316,587	S	*	4/1991	Sanford	D22/104
D337,821	S		7/1993	Tan		
D359,529	S	*	6/1995	Nguyen	D21/572
D387,842	S	*	12/1997	Kaminski et al.	D22/104
D400,633	S	*	11/1998	Chapman	D22/104
D503,207	S	*	3/2005	Salva	D22/104
D536,787	S	*	2/2007	Rehbein et al.	D24/133
D568,993	S	*	5/2008	Melanson et al.	D24/133

D573,252	S	*	7/2008	Peretti et al.	D24/113
D576,273	S		9/2008	McClintok et al.		
D614,716	S	*	4/2010	Tertin	D22/104
D621,503	S	*	8/2010	Otten et al.	D24/133
D621,933	S	*	8/2010	Kupferschmid	D24/133
D622,802	S	*	8/2010	Fitzpatrick et al.	D22/103

* cited by examiner

Primary Examiner — David Muller

(74) *Attorney, Agent, or Firm* — Brinks Hofer Gilson & Lione

(57) **CLAIM**

The ornamental design for a syringe drive device, as shown and described.

DESCRIPTION

FIG. 1 is a top perspective view of a syringe drive device of the present invention;
FIG. 2 is a front view thereof;
FIG. 3 is a rear view thereof;
FIG. 4 is a first side view thereof;
FIG. 5 is a second side view thereof;
FIG. 6 is a top view thereof;
FIG. 7 is a bottom view thereof; and,
FIG. 8 is a top perspective view thereof shown in in an alternate environment, with the device in an extended configuration.

The dash dot lines immediately adjacent to the shaded areas in the views represent th boundaries of the dclamed design. The dashed lines in the figures illustrate the portions of the design that form no part of the claimed design. None of the broken lines form any part of the claimed design.

1 Claim, 8 Drawing Sheets

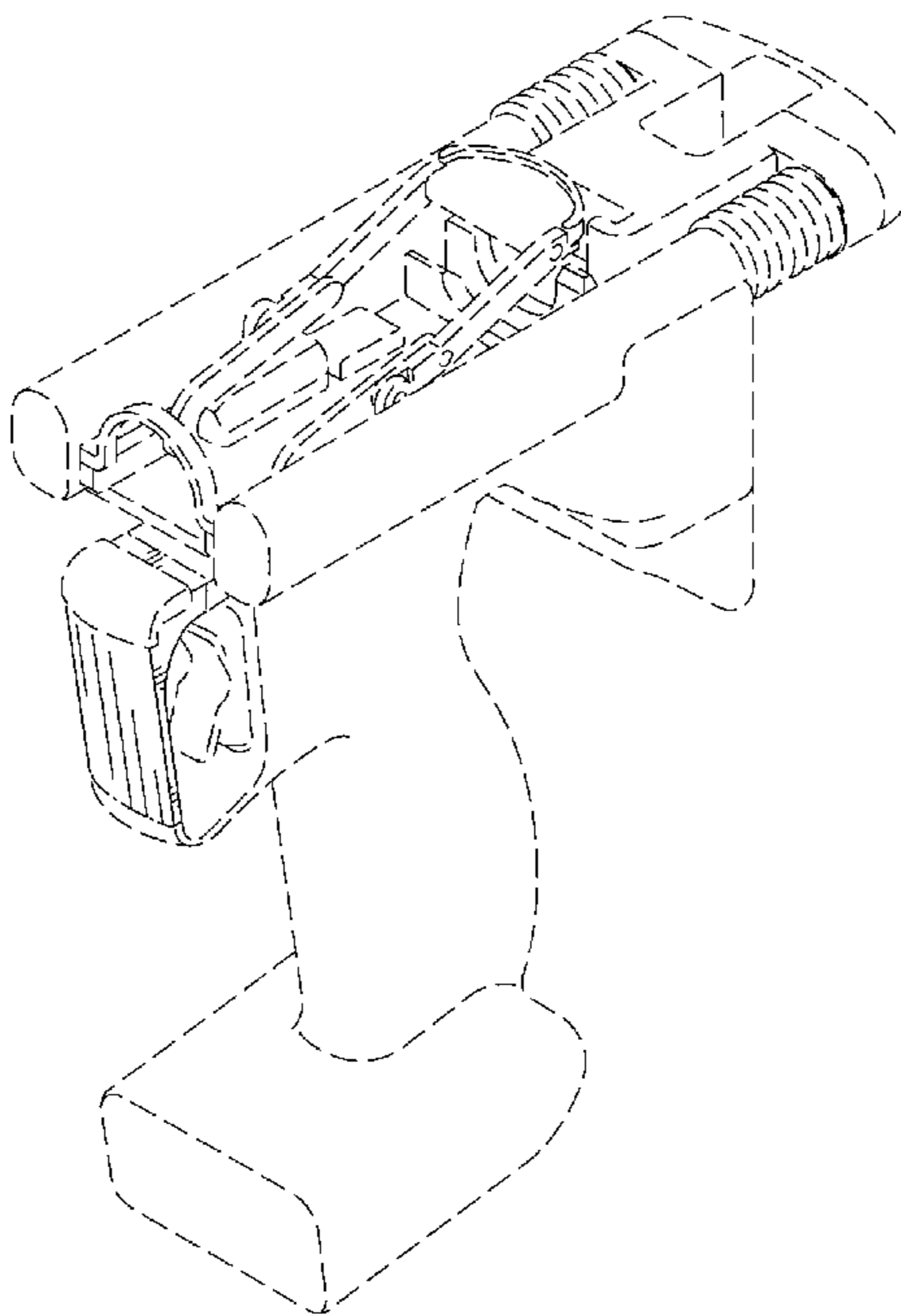


FIG.1

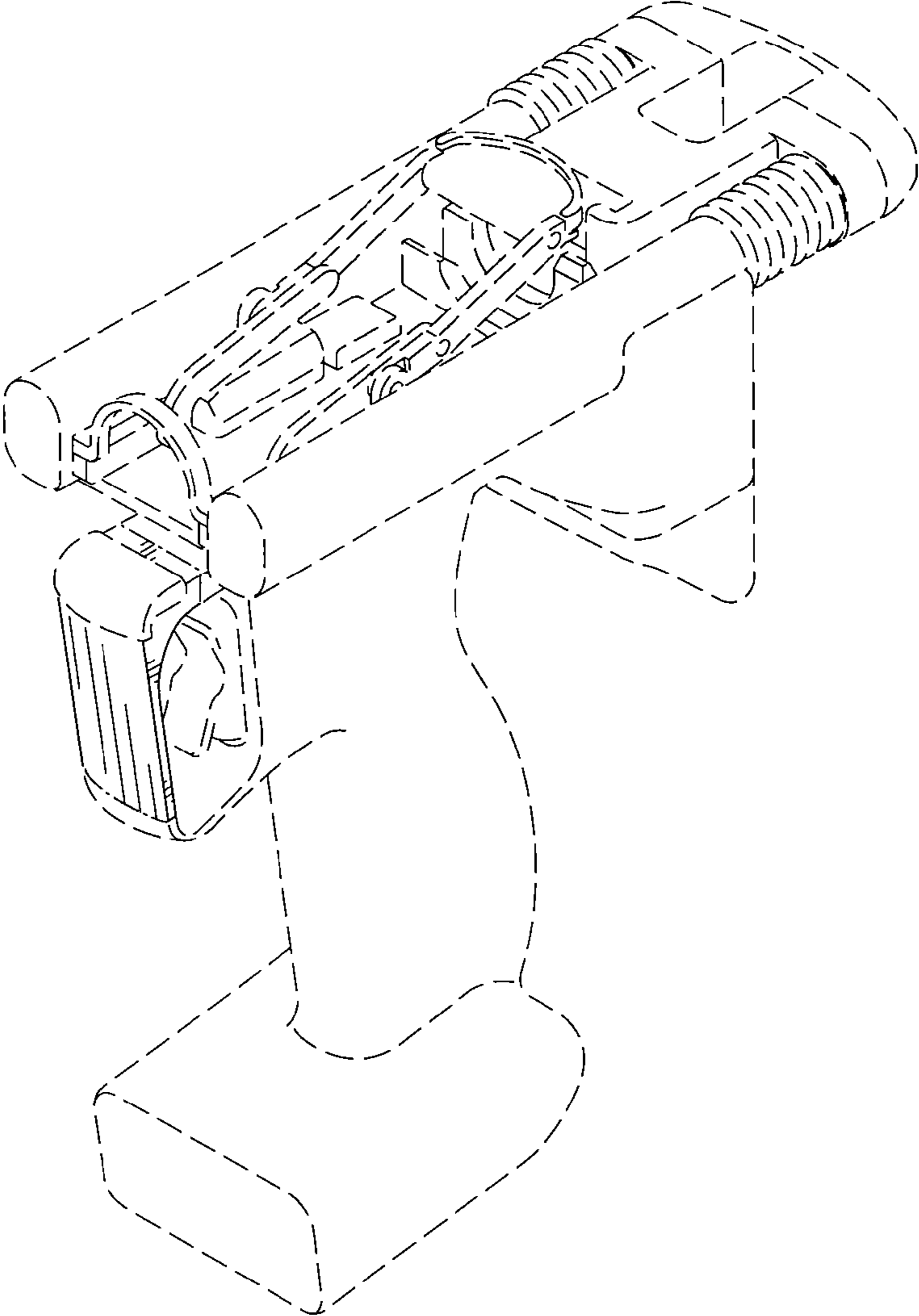


FIG.2

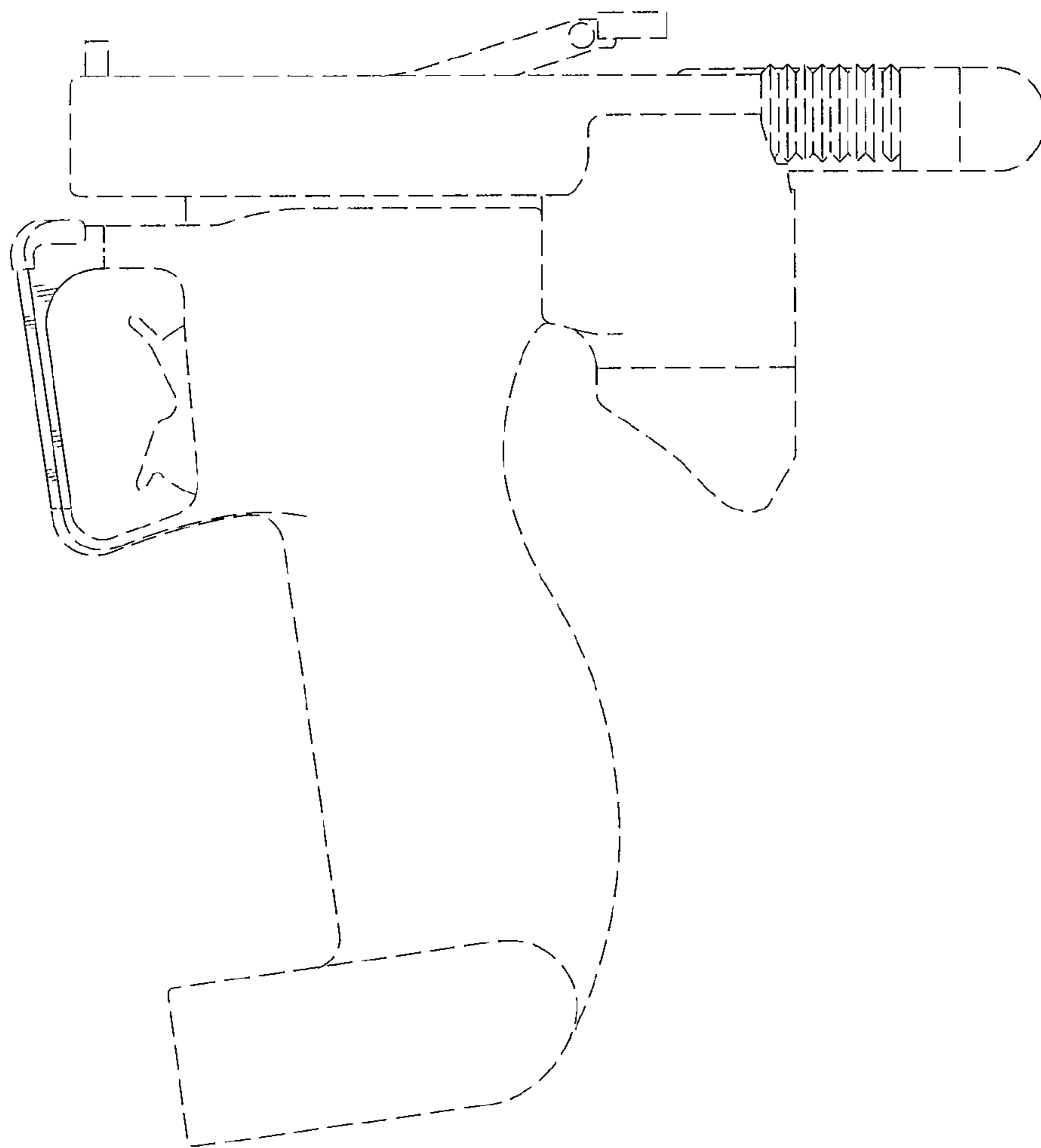


FIG.3

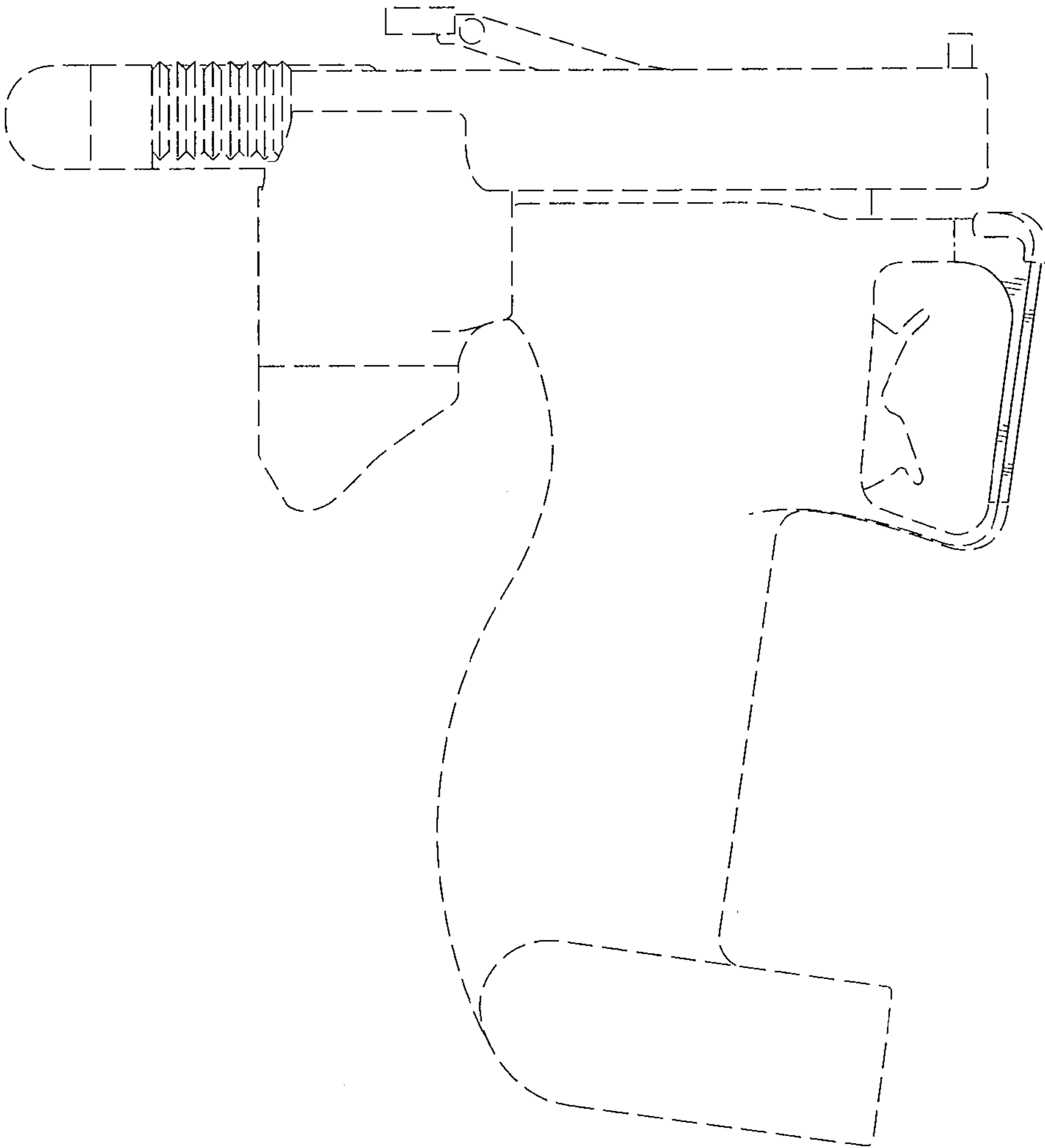


FIG.4

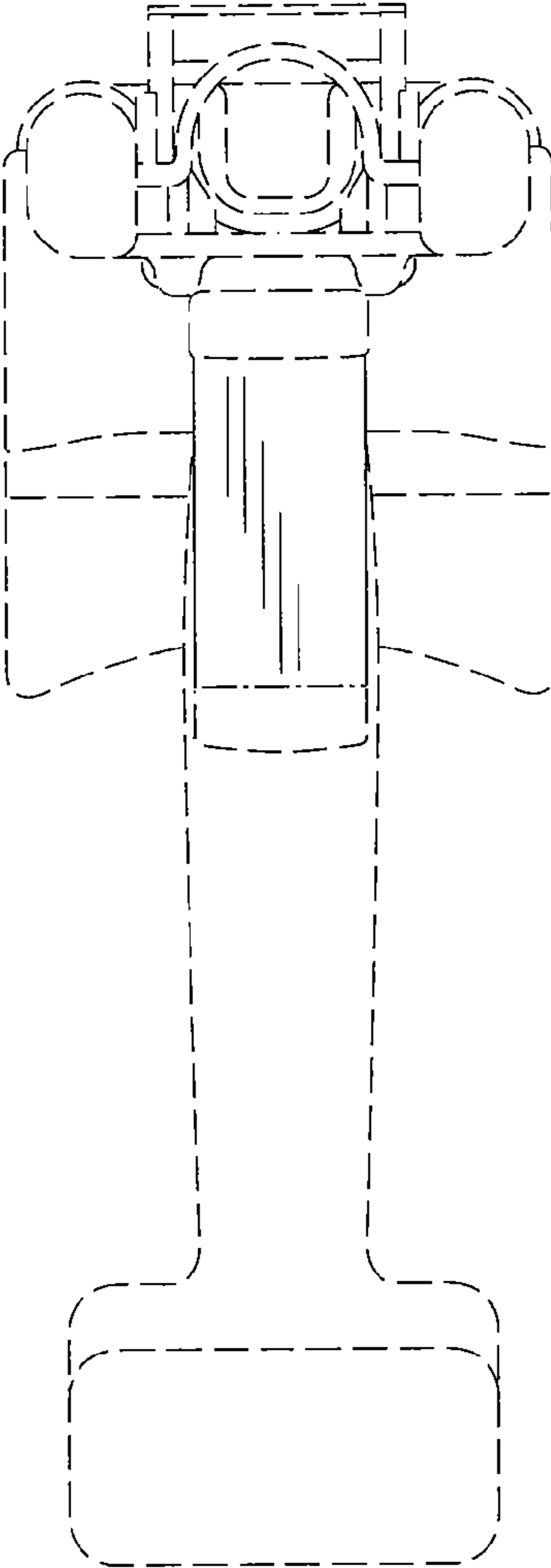


FIG.5

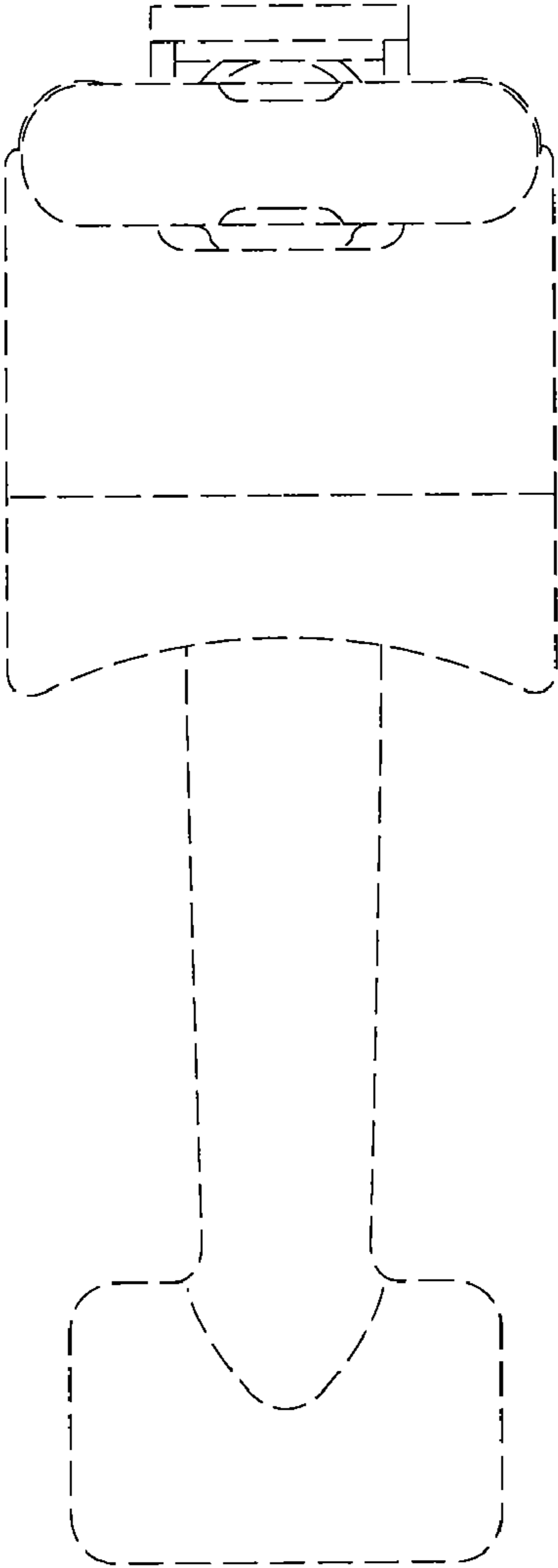


FIG.6

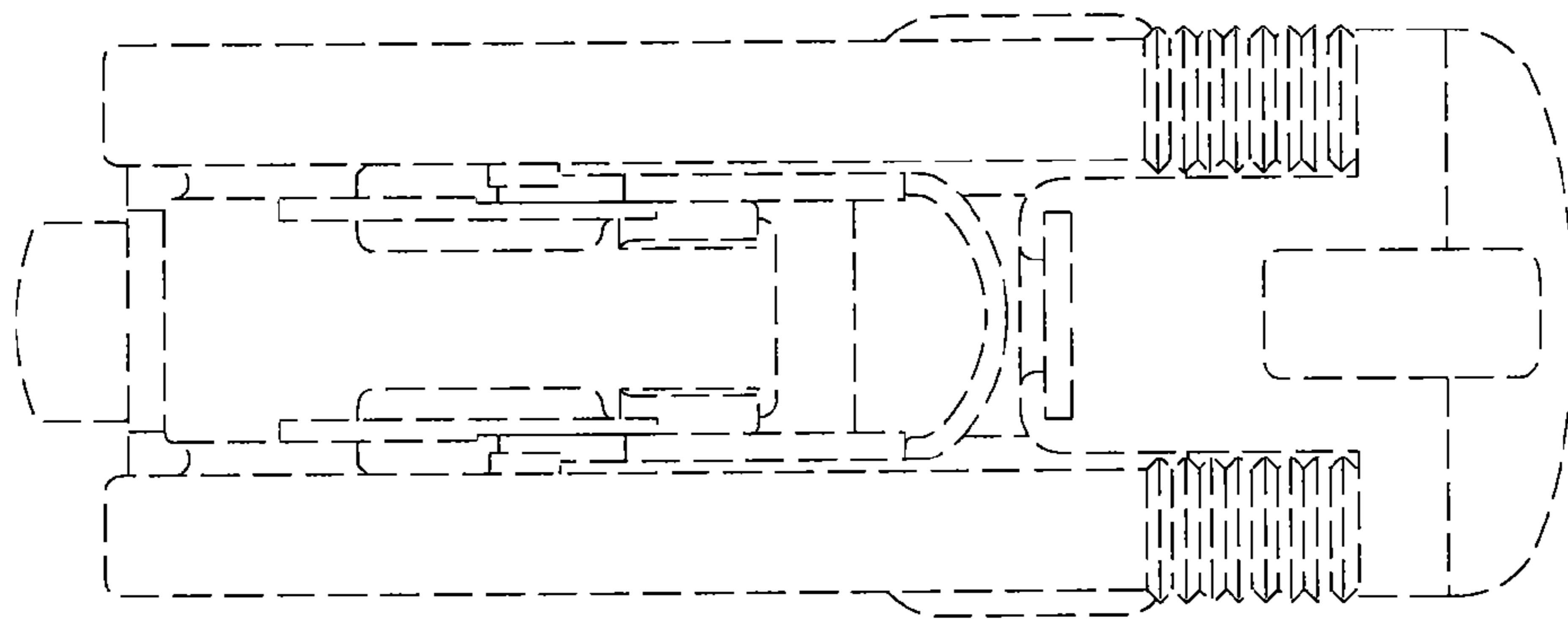


FIG.7

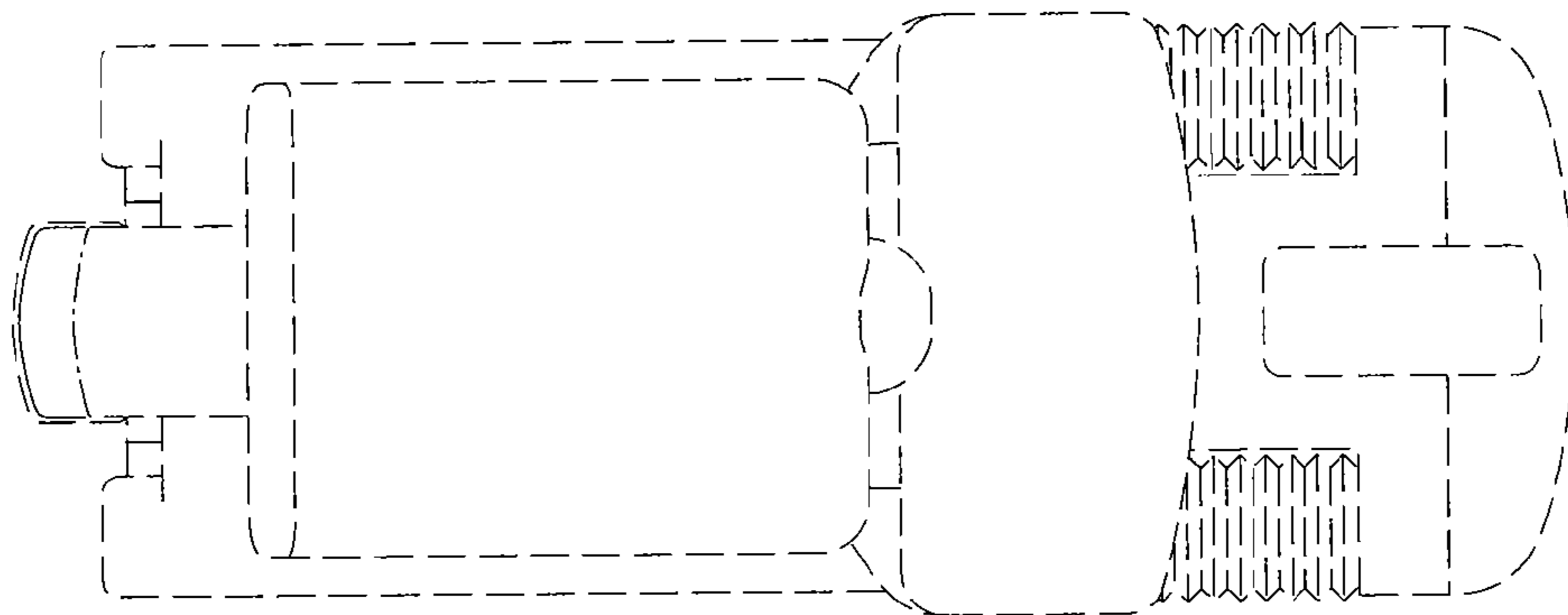


FIG.8

