



US00D640369S

(12) **United States Design Patent**
Fujioka et al.

(10) **Patent No.:** **US D640,369 S**
(45) **Date of Patent:** **** Jun. 21, 2011**

(54) **SYRINGE DRIVE DEVICE**

(75) Inventors: **Soichiro Fujioka**, Osaka (JP); **Mizuho Sakakibara**, Tokyo (JP); **Tohru Nakamura**, Osaka (JP)

(73) Assignee: **Panasonic Corporation**, Osaka (JP)

(**) Term: **14 Years**

(21) Appl. No.: **29/366,583**

(22) Filed: **Jul. 27, 2010**

(30) **Foreign Application Priority Data**

Jan. 29, 2010 (JP) 2010-002028

(51) **LOC (9) Cl.** **24-02**

(52) **U.S. Cl.** **D24/113**

(58) **Field of Classification Search** D24/112-114,
D24/133, 186, 104, 130, 127, 171, 191; 606/181,
606/185; 604/232, 187, 158, 164.08, 192,
604/263, 163, 181, 184, 198, 227; D6/234,
D6/601; 5/636; D21/802
See application file for complete search history.

(56) **References Cited**

U.S. PATENT DOCUMENTS

- 4,862,535 A * 9/1989 Roberts D6/601
- D321,562 S * 11/1991 Ljungvall D6/601
- D354,876 S * 1/1995 Pace D6/601
- D358,957 S * 6/1995 Propp D6/601
- D378,615 S * 3/1997 Neviasser et al. D24/191
- D437,642 S * 2/2001 Caballero D24/133
- D451,568 S * 12/2001 Gordon D21/802
- D456,659 S * 5/2002 Landvik D6/601
- D477,492 S * 7/2003 Moody D6/601

- D516,726 S * 3/2006 Hoenecke D6/601
- D539,066 S * 3/2007 Coquillet D6/601
- D616,238 S * 5/2010 Sullivan D6/601
- D625,014 S * 10/2010 Hansen et al. D24/186

FOREIGN PATENT DOCUMENTS

JP D1385892 3/2010

* cited by examiner

Primary Examiner — David Muller

(74) *Attorney, Agent, or Firm* — Brinks Hofer Gilson & Lione

(57) **CLAIM**

We claim the ornamental design for a syringe drive device, as shown and described.

DESCRIPTION

FIG. 1 is a top perspective view of a syringe drive device of the present invention;
 FIG. 2 is a front view thereof;
 FIG. 3 is a rear view thereof;
 FIG. 4 is a first side view thereof;
 FIG. 5 is a second side view thereof;
 FIG. 6 is a top view thereof;
 FIG. 7 is a bottom view thereof; and,
 FIG. 8 is a top perspective view thereof shown in an alternate environment with the device in an extended configuration.
 The broken line showing of syringe drive device is included for the purpose of illustrating environment and forms no part of the claimed design.

1 Claim, 8 Drawing Sheets

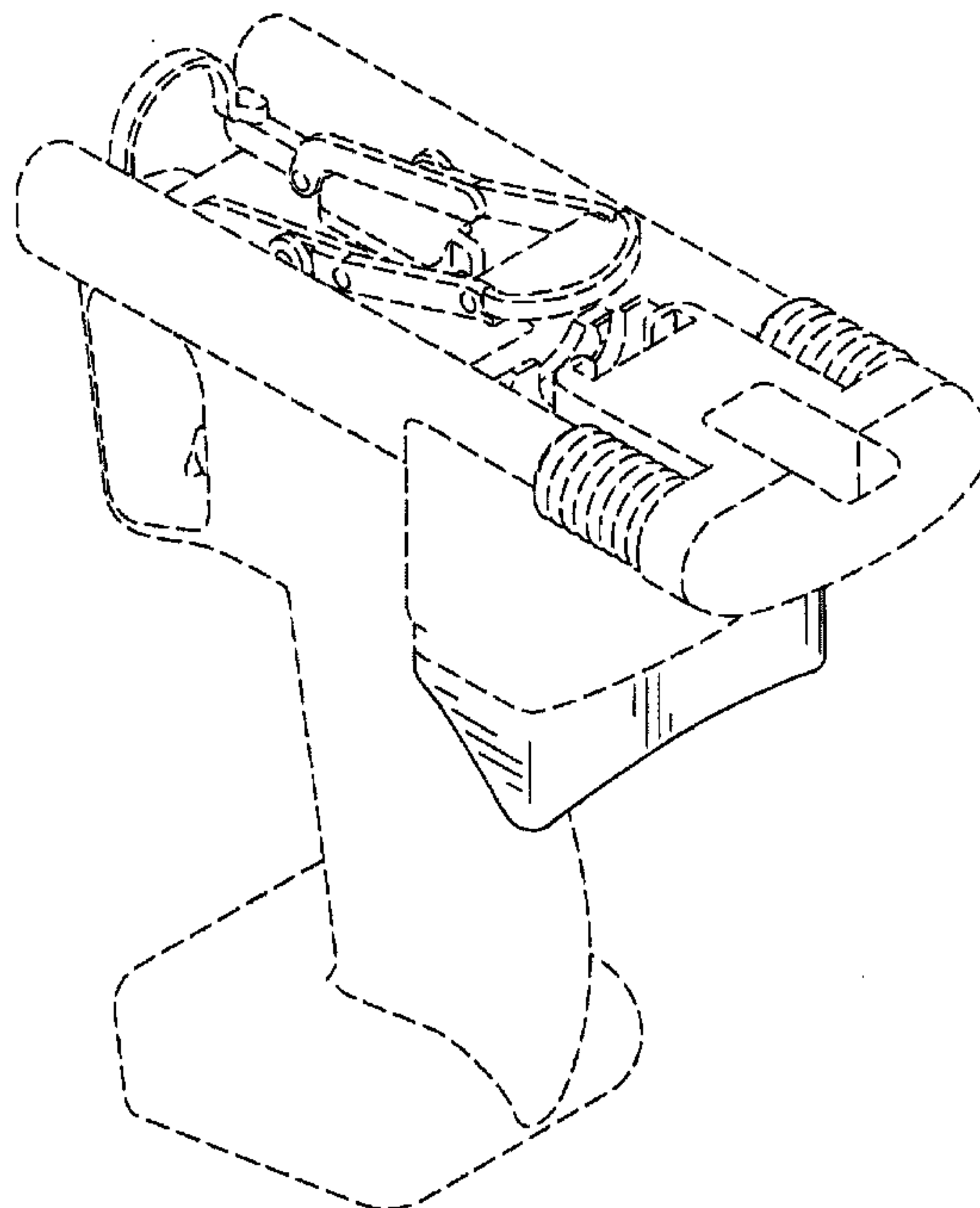


FIG.1

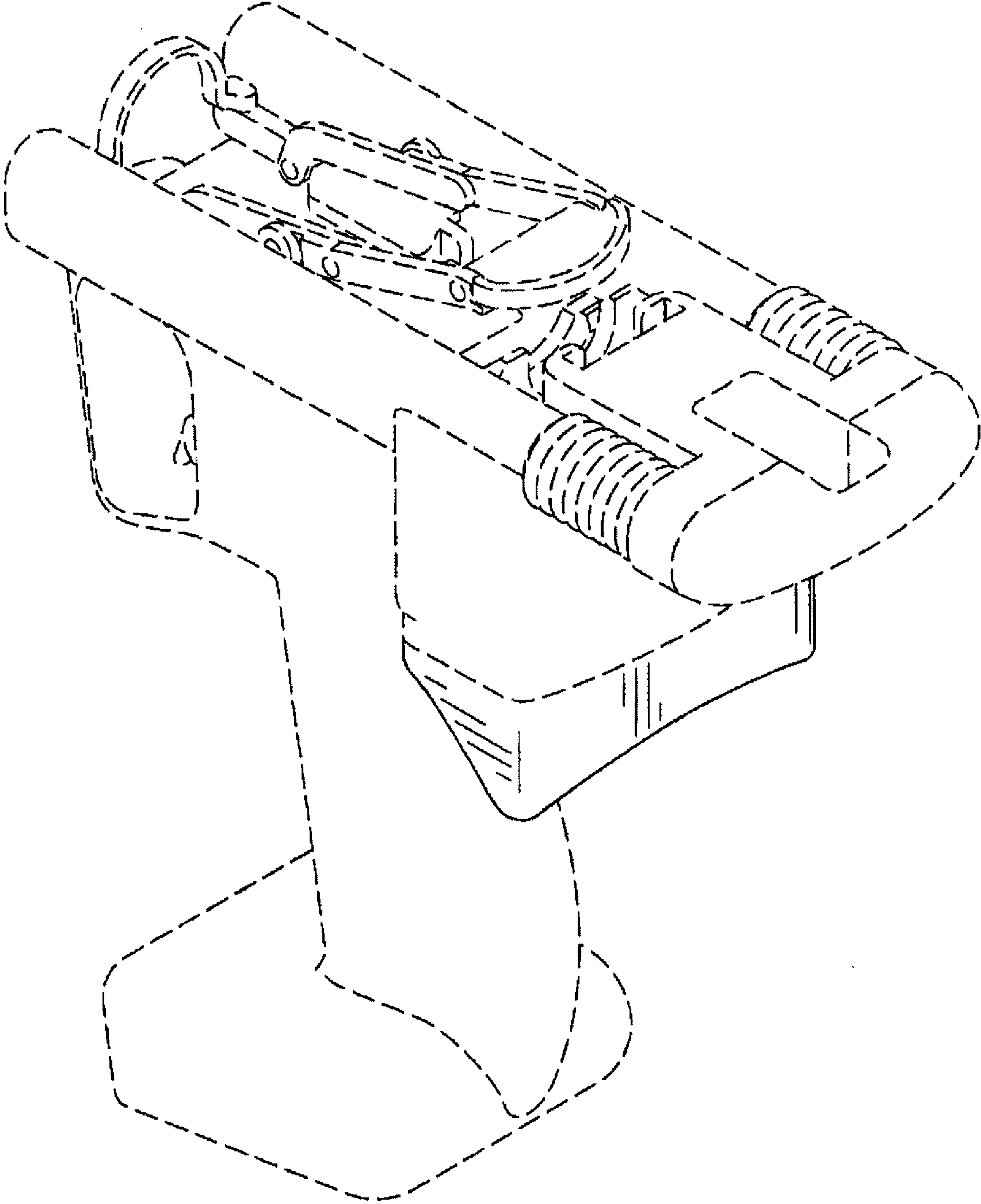


FIG.2

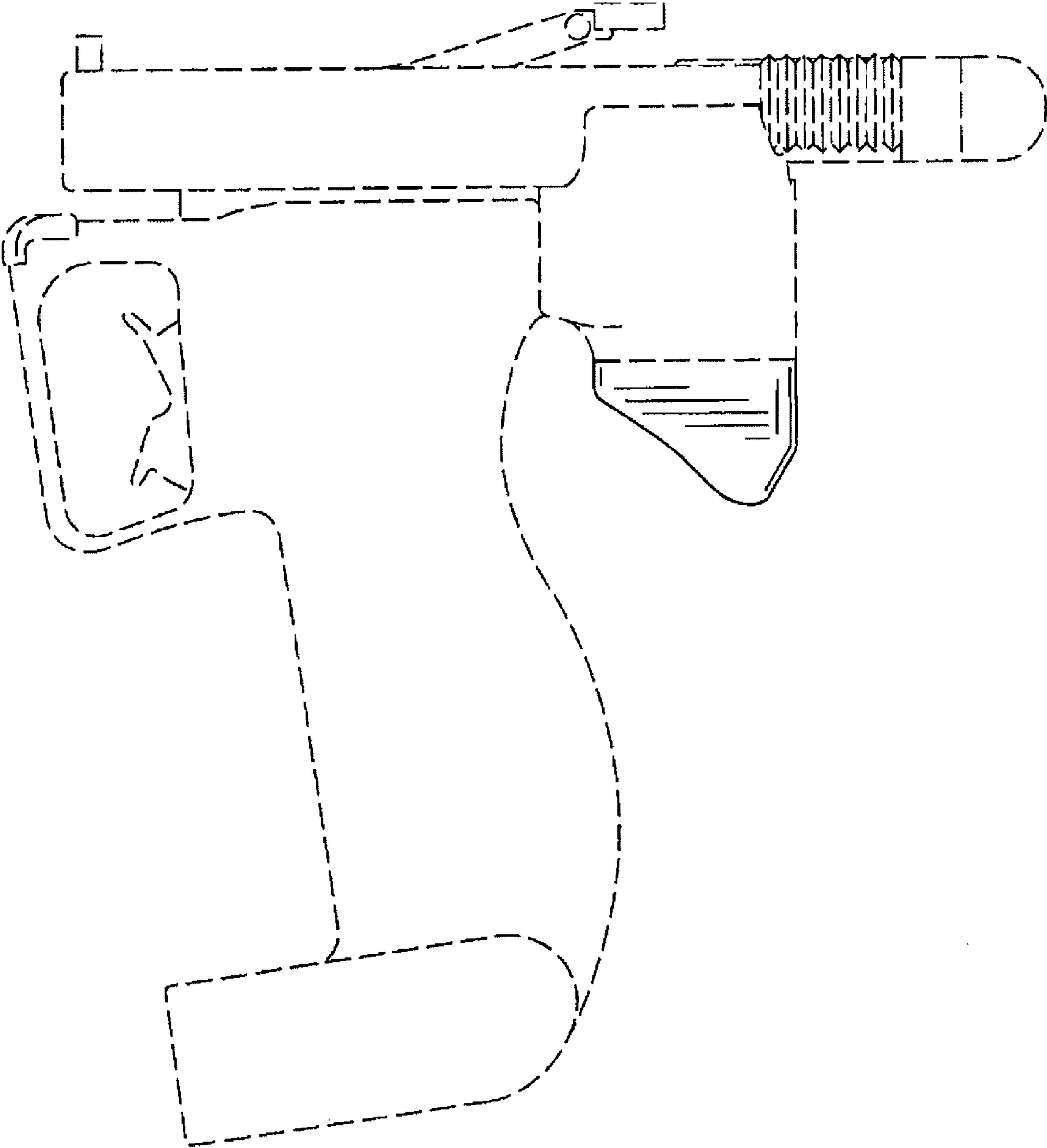


FIG.3

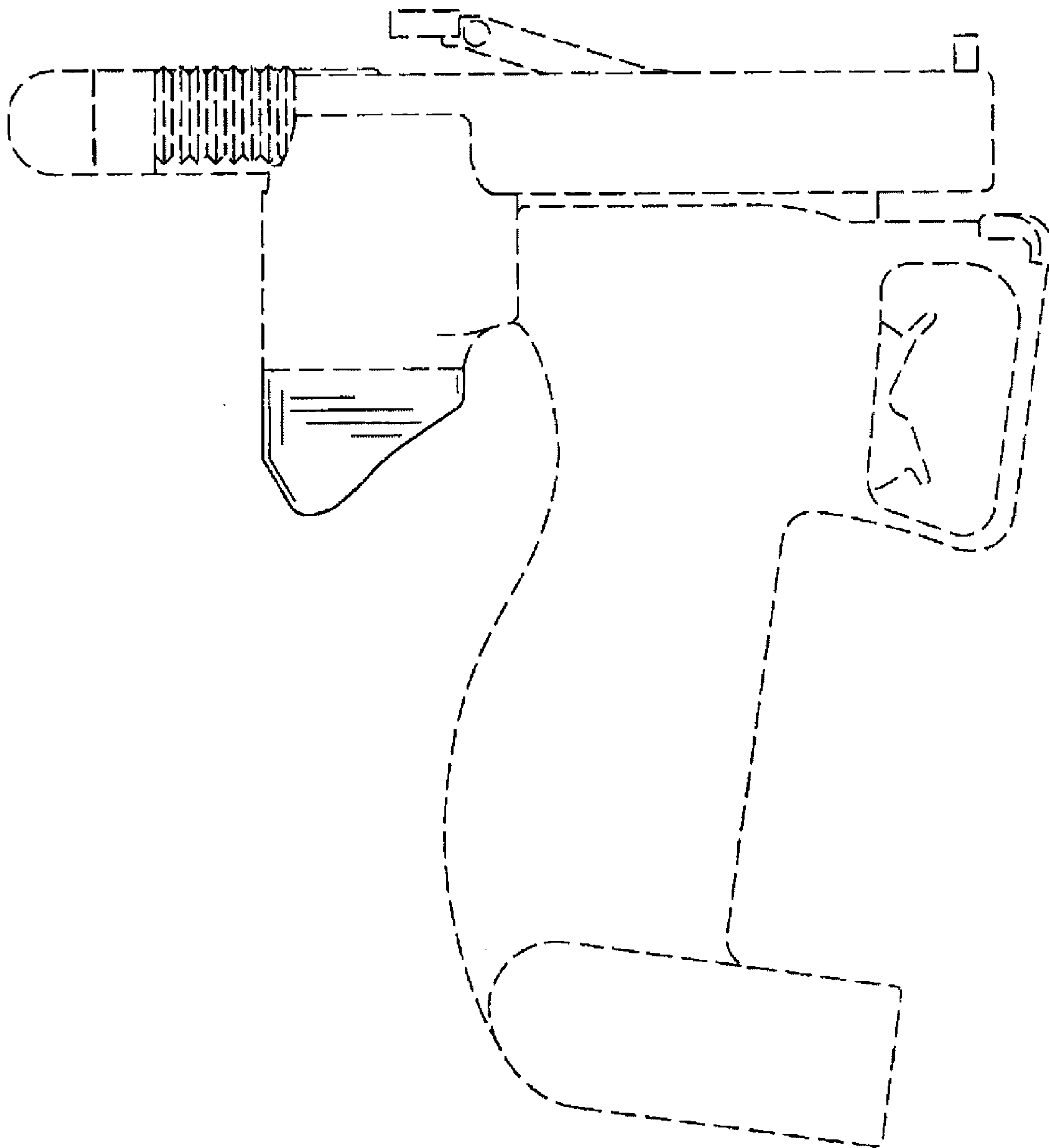


FIG.4

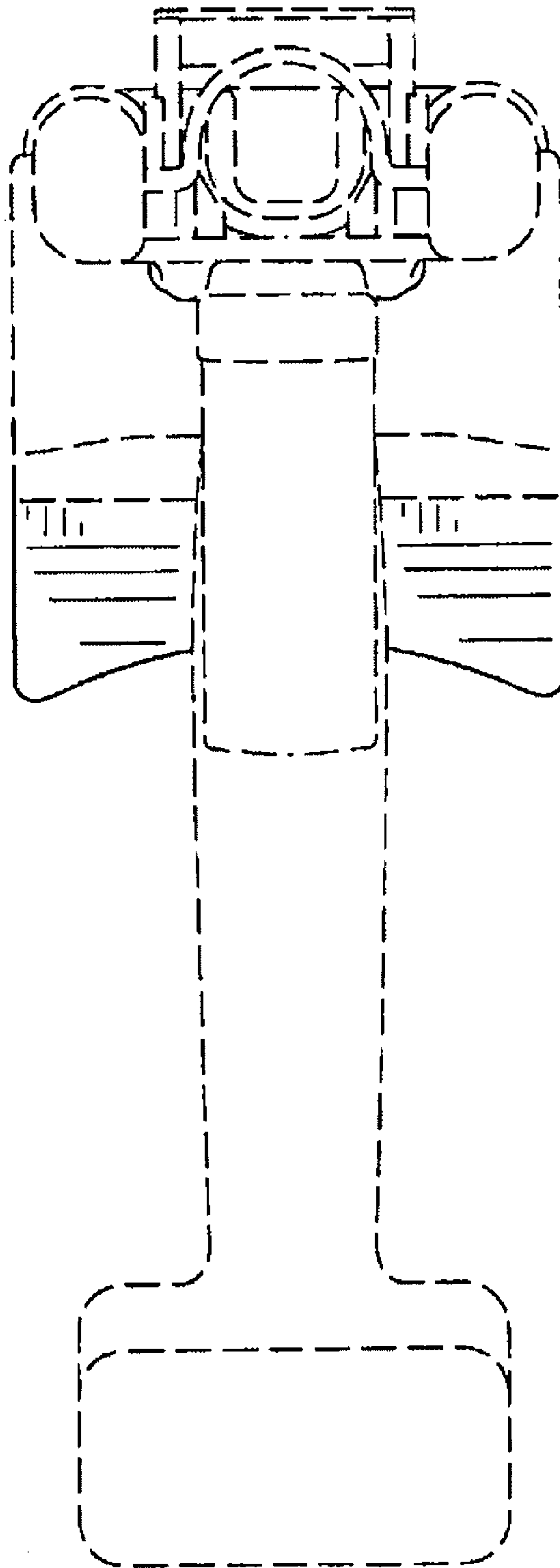


FIG.5

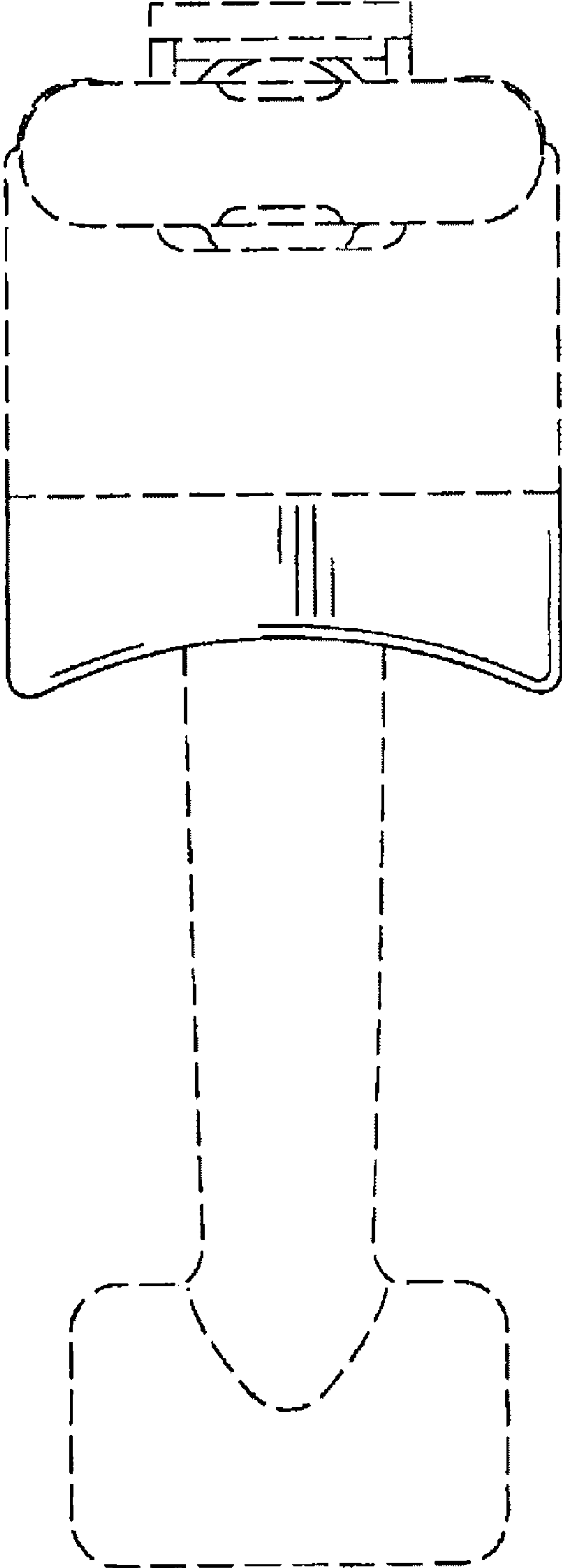


FIG.6

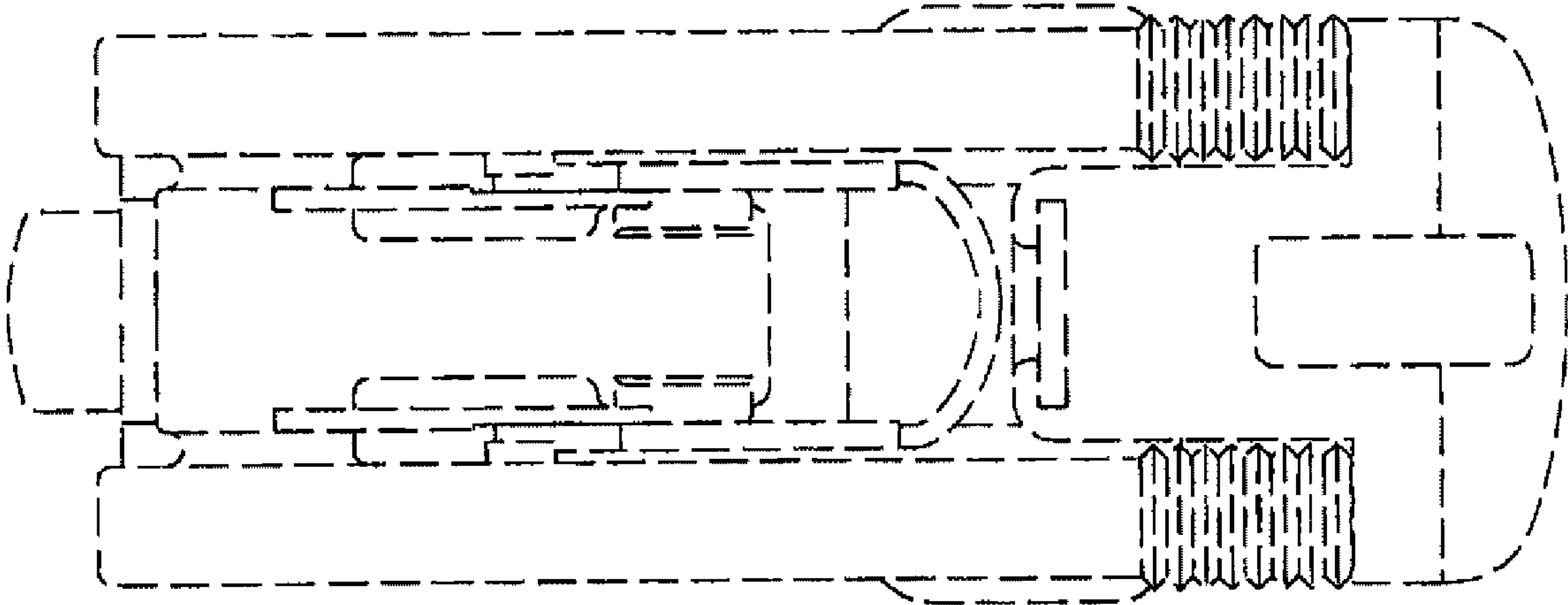


FIG.7

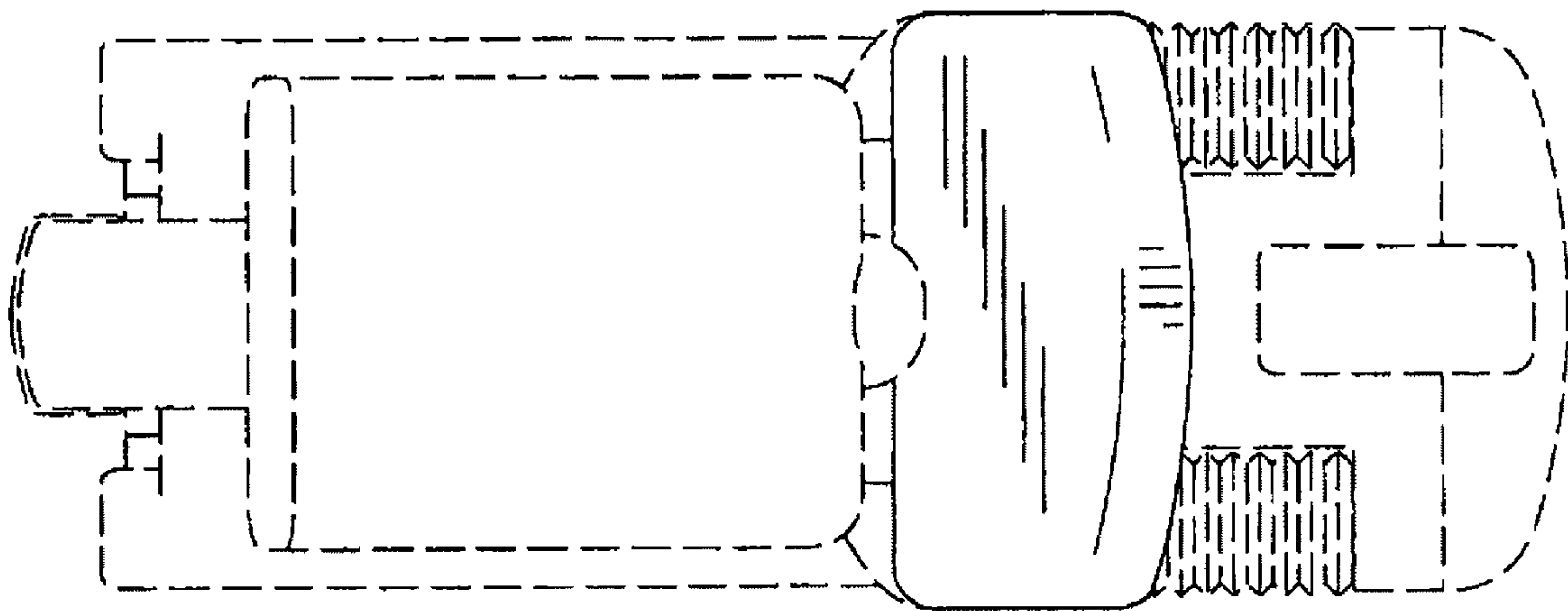


FIG.8

