



US00D640368S

(12) **United States Design Patent**
Fujioka et al.

(10) **Patent No.:** **US D640,368 S**
(45) **Date of Patent:** **** Jun. 21, 2011**

(54) **SYRINGE DRIVE DEVICE**

(75) Inventors: **Soichiro Fujioka**, Osaka (JP); **Mizuho Sakakibara**, Tokyo (JP); **Tohru Nakamura**, Osaka (JP)

(73) Assignee: **Panasonic Corporation**, Osaka (JP)

(**) Term: **14 Years**

(21) Appl. No.: **29/366,581**

(22) Filed: **Jul. 27, 2010**

(30) **Foreign Application Priority Data**

Jan. 29, 2010 (JP) 2010-002026

(51) **LOC (9) Cl.** **24-02**

(52) **U.S. Cl.** **D24/113**

(58) **Field of Classification Search** D24/112-114,
D24/133, 186, 104, 130, 127, 108; 606/181,
606/185; 604/232, 187, 158, 164.08, 192,
604/263, 163, 181, 184, 198, 227, 82, 223,
604/154

See application file for complete search history.

(56) **References Cited**

U.S. PATENT DOCUMENTS

3,819,091 A * 6/1974 Hollender 604/223
D246,187 S * 10/1977 DeArment D24/114
D263,635 S * 3/1982 Wendt D24/114
4,512,767 A 4/1985 Denance
D337,821 S 7/1993 Tan
D369,657 S * 5/1996 McGugan D24/113
5,672,155 A * 9/1997 Riley et al. 604/154
D408,527 S * 4/1999 Coelho et al. D24/108
D409,304 S * 5/1999 King D24/112
D416,087 S * 11/1999 King D24/114
6,394,982 B1 * 5/2002 Ehrenfels 604/187
6,585,696 B2 * 7/2003 Petersen et al. 604/82

6,840,921 B1 * 1/2005 Haider et al. 604/198
D543,621 S 5/2007 Khalaj
D576,273 S 9/2008 McClintok et al.
D603,501 S * 11/2009 Mudd et al. D24/113
D618,338 S * 6/2010 Fujioka et al. D24/113

FOREIGN PATENT DOCUMENTS

JP D1385889 3/2010
JP D1385890 3/2010
JP D1385892 3/2010

* cited by examiner

Primary Examiner — David Muller

(74) *Attorney, Agent, or Firm* — Brinks Hofer Gilson & Lione

(57) **CLAIM**

We claim the ornamental design for a syringe drive device, as shown and described.

DESCRIPTION

FIG. 1 is a top perspective view of a syringe drive device of the present invention;

FIG. 2 is a front view thereof;

FIG. 3 is a rear view thereof;

FIG. 4 is a first side view thereof;

FIG. 5 is a second side view thereof;

FIG. 6 is a top view thereof;

FIG. 7 is a bottom view thereof; and,

FIG. 8 is a top perspective view thereof shown in an alternate, extended configuration, with a syringe inserted.

The syringe shown in broken lines in FIG. 8 is included for the purpose of showing use and environment and forms no part of the claimed design. The remaining broken lines in the drawings show environmental structure and form no part of the claimed design.

1 Claim, 8 Drawing Sheets

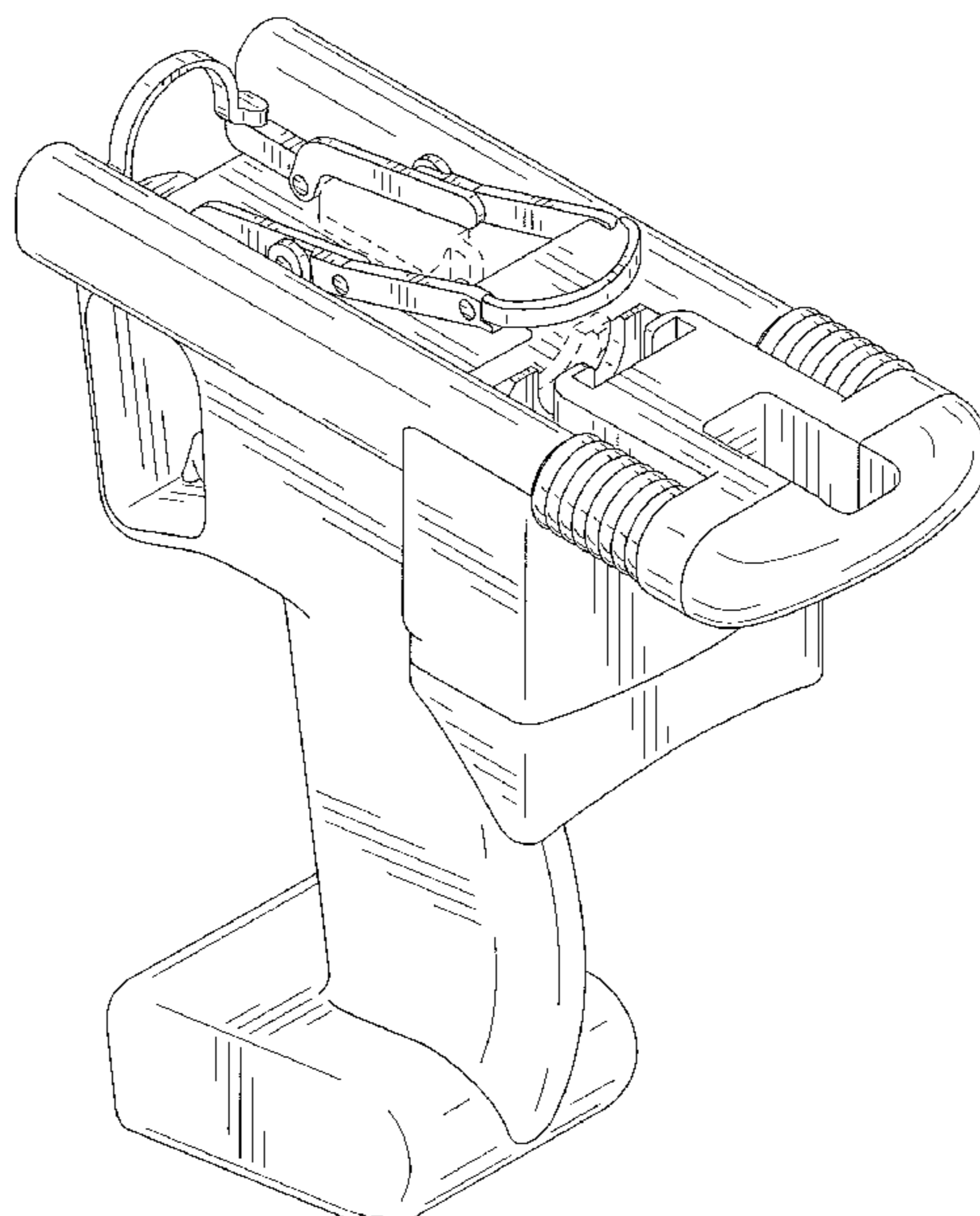


FIG.1

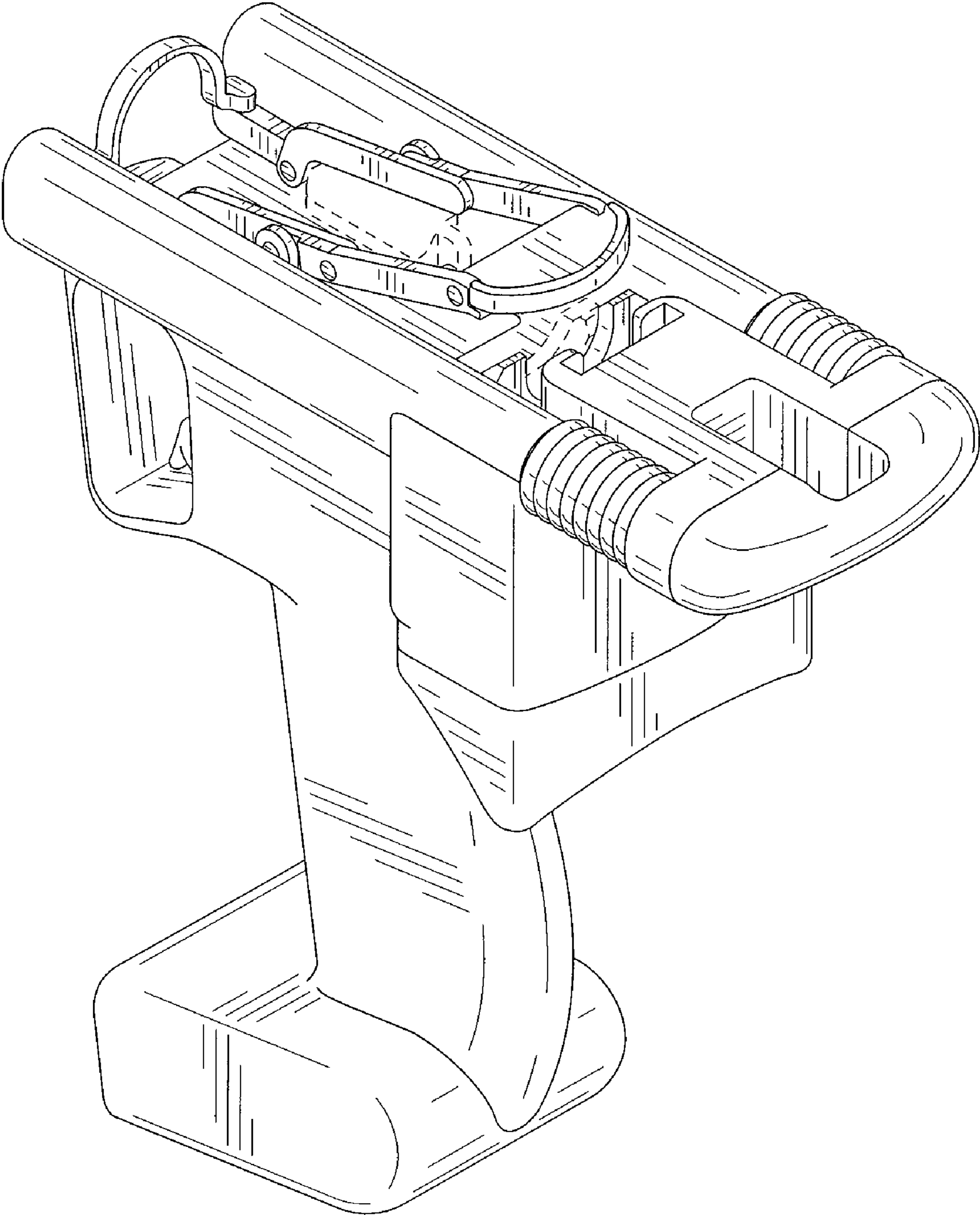


FIG.2

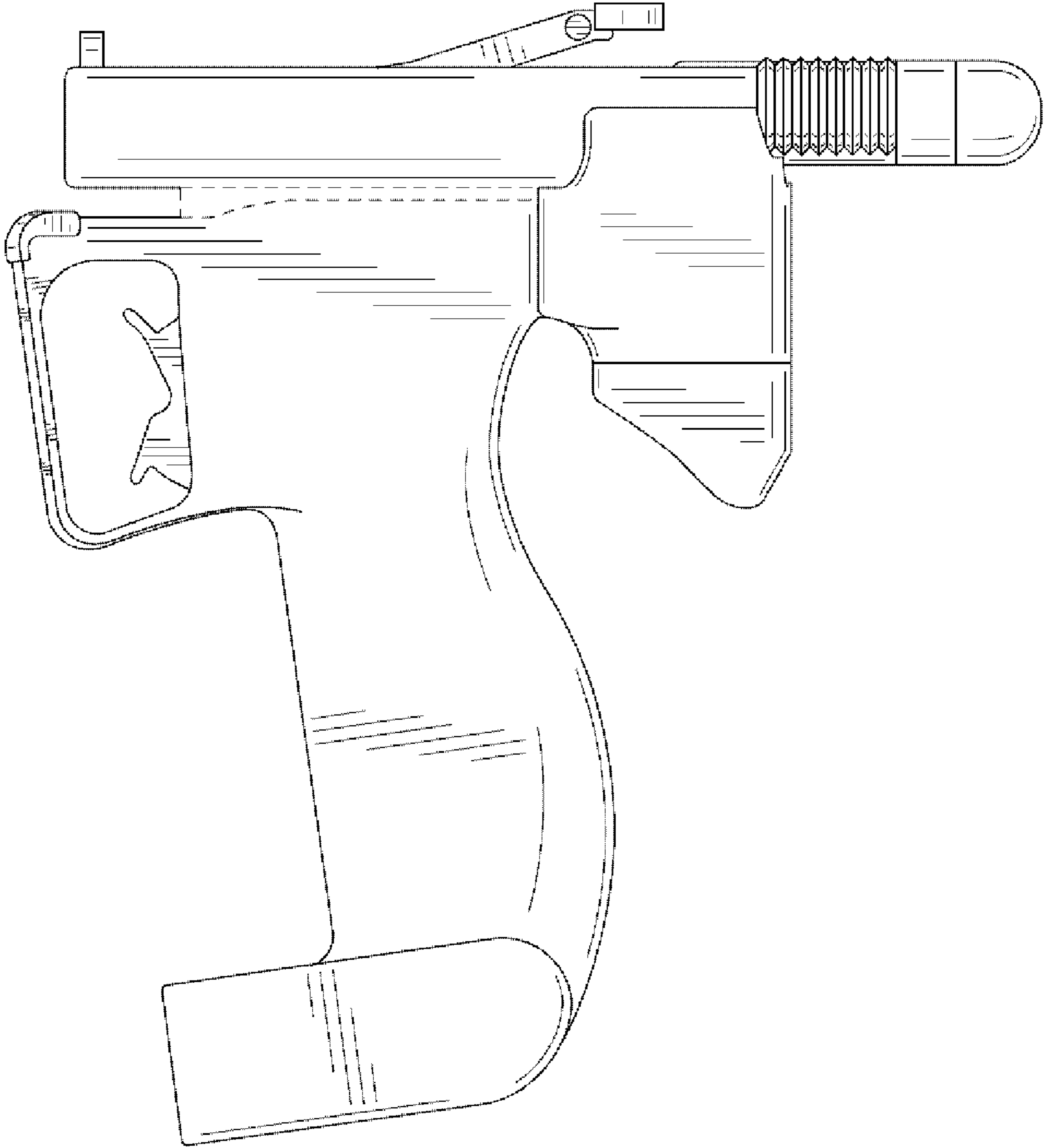


FIG.3

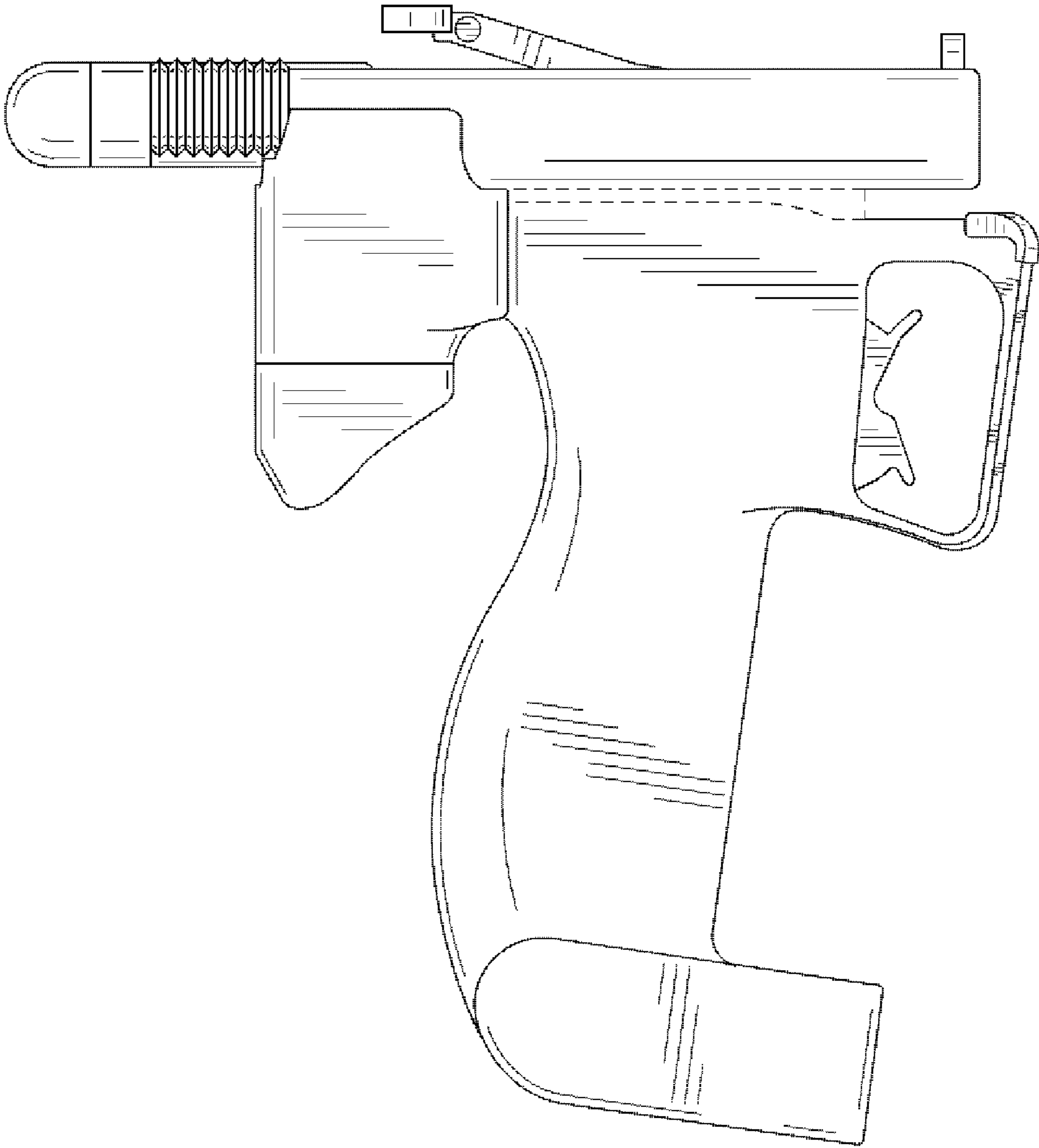


FIG.4

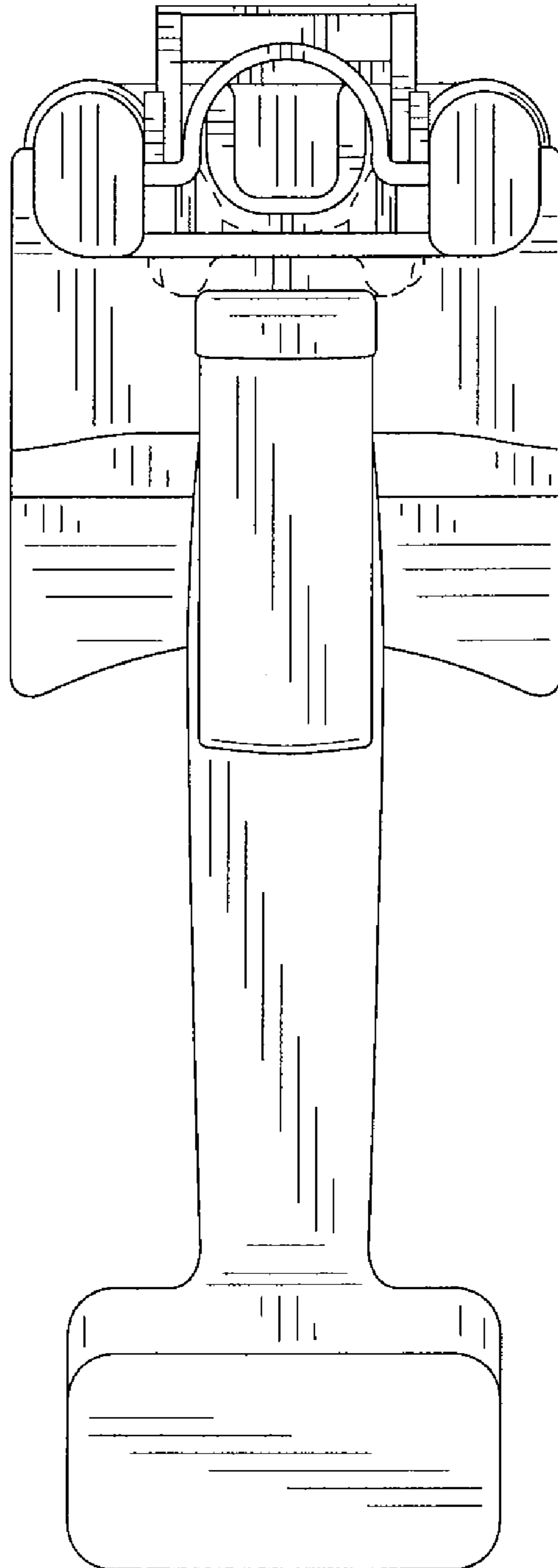


FIG. 5

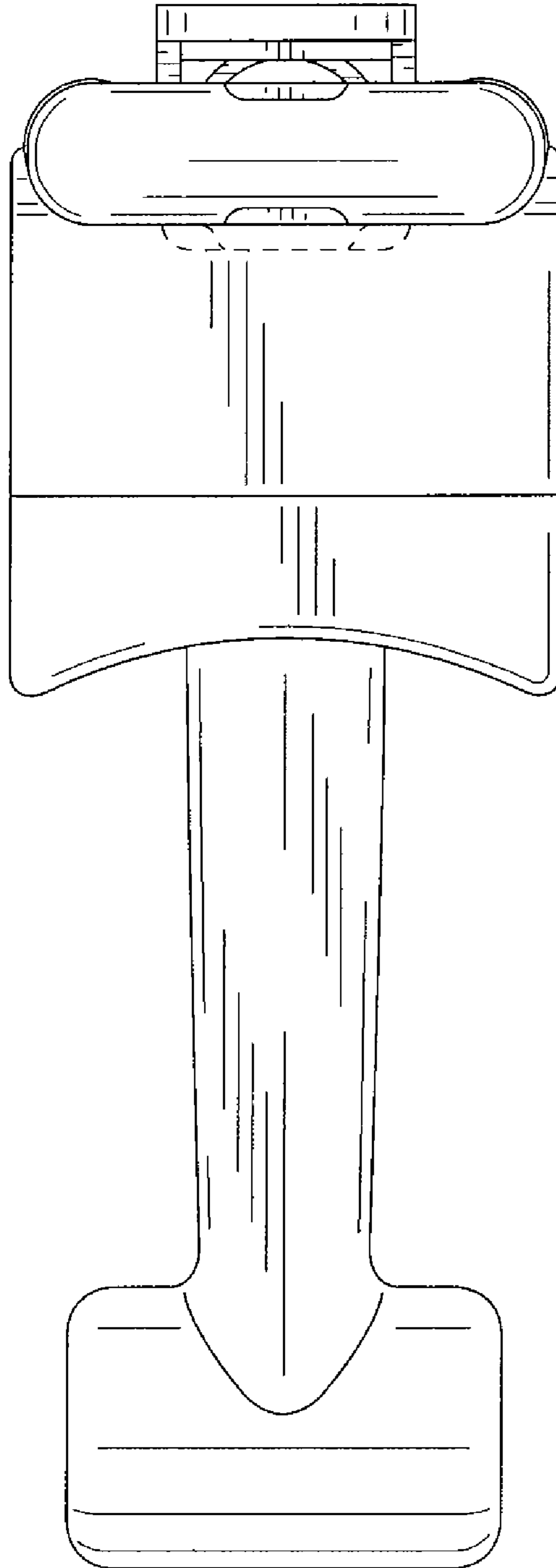


FIG.6

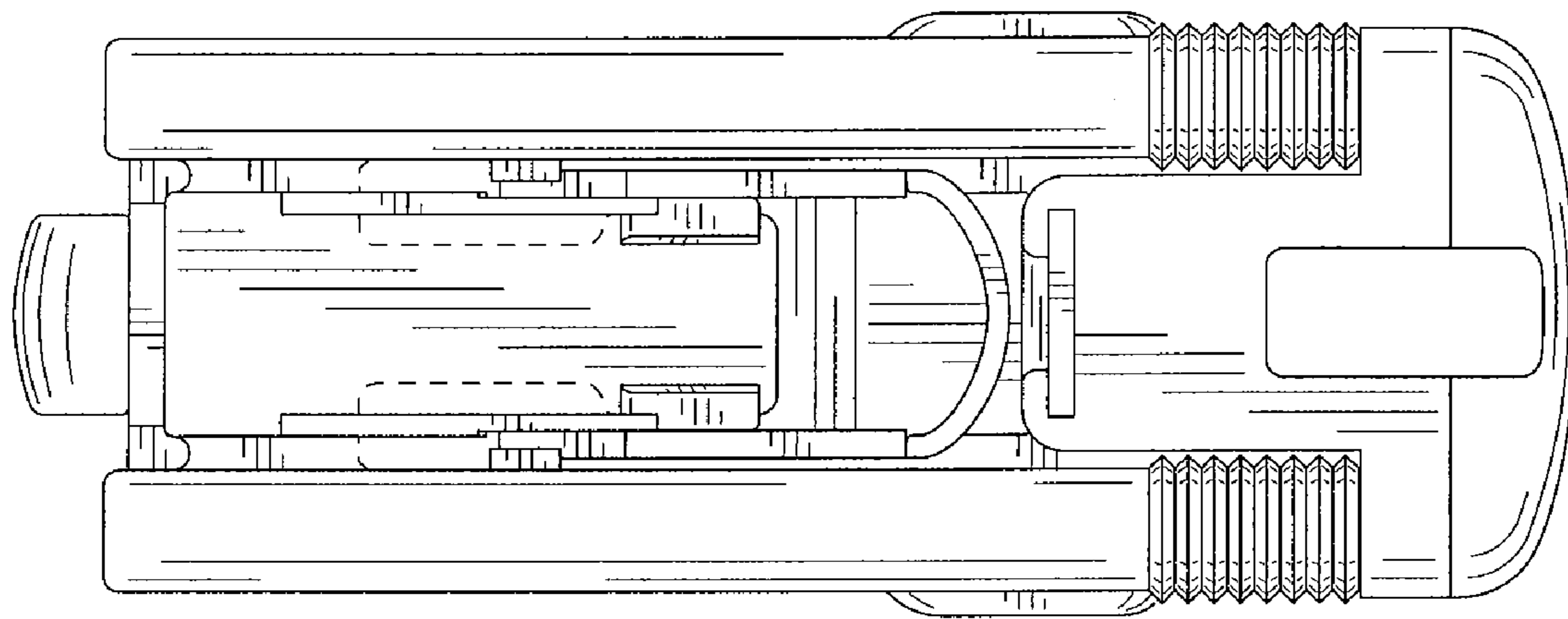


FIG.7

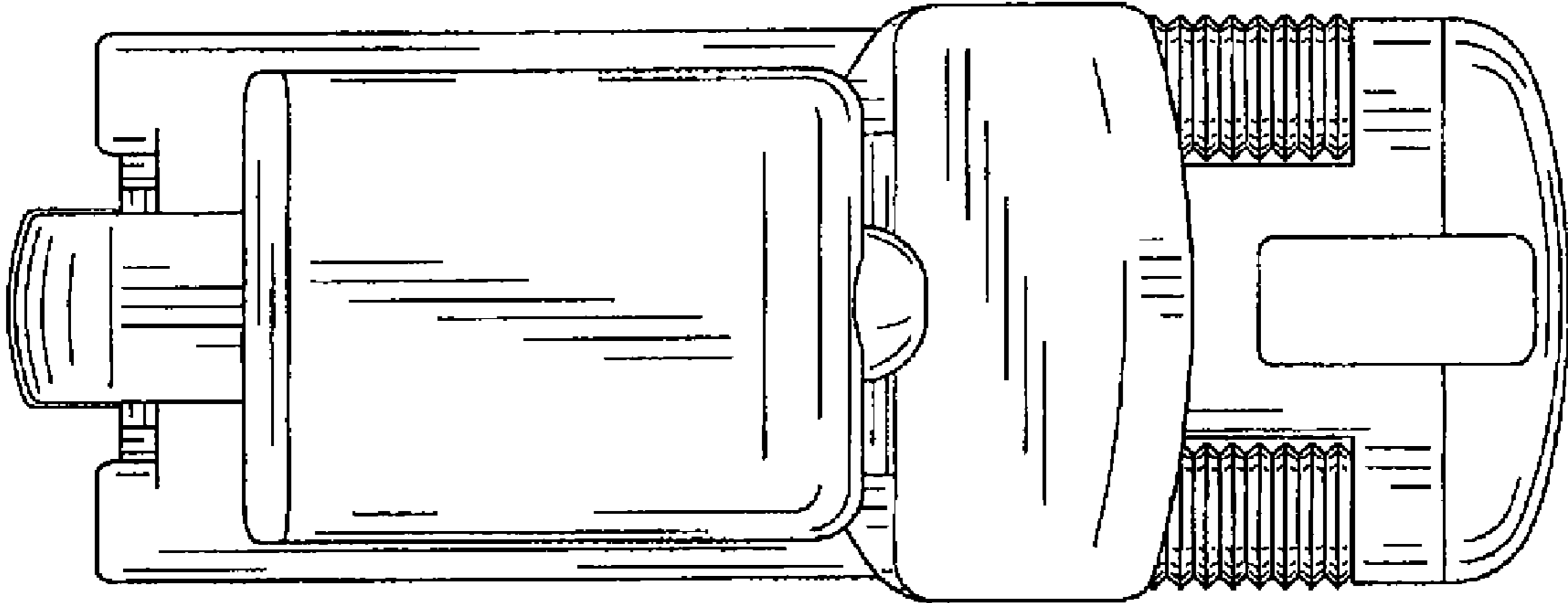


FIG.8

