



US00D640363S

(12) **United States Design Patent**
Cook

(10) **Patent No.:** **US D640,363 S**

(45) **Date of Patent:** **** Jun. 21, 2011**

(54) **ROTATABLE CAMPFIRE STICK**

(76) **Inventor:** **Phillip C. Cook**, Mechanicsburg, PA
(US)

(**) **Term:** **14 Years**

(21) **Appl. No.:** **29/362,236**

(22) **Filed:** **May 21, 2010**

(51) **LOC (9) Cl.** **23-03**

(52) **U.S. Cl.** **D23/403**

(58) **Field of Classification Search** D23/403-410,
D23/415-422, 499, 342-350; D7/402, 407,
D7/408, 416, 417; 40/798; 44/520, 530;
52/36.3; 126/25 B, 298, 500, 512, 540, 543,
126/544, 548, 555; 160/DIG. 9; 431/263,
431/273, 329

See application file for complete search history.

(56) **References Cited**

U.S. PATENT DOCUMENTS

3,170	A *	7/1843	Smylie	129/298
203,551	A *	5/1878	Mersereau	126/544
300,081	A *	6/1884	Janusch	126/544
390,020	A *	9/1888	Hipwell	126/298
574,560	A *	1/1897	McKaig	5/1
938,723	A *	11/1909	Swan	403/182
1,570,446	A *	1/1926	Mombaruzzo	236/101 R
1,936,499	A *	11/1933	Coutu	110/260
1,937,974	A *	12/1933	McKee	236/74 R
D231,561	S *	4/1974	Paulson	D7/416

D235,273	S *	6/1975	Boyd	D7/416
4,166,447	A *	9/1979	Creim	126/298
5,470,226	A *	11/1995	Pearl et al.	431/255
5,602,429	A *	2/1997	Scgiebelhuth	307/121
5,616,022	A *	4/1997	Moran, IV	431/253
5,647,174	A *	7/1997	Mattarelli	52/36.3
D402,504	S *	12/1998	Poon et al.	D7/416

FOREIGN PATENT DOCUMENTS

GB 2360749 A * 10/2001

* cited by examiner

Primary Examiner — Karen Acker

(74) *Attorney, Agent, or Firm* — Hooker & Habib, P.C.

(57) **CLAIM**

The ornamental design for a rotatable campfire stick, as shown and described.

DESCRIPTION

FIG. 1 is an end view of a rotatable campfire stick in accordance with my new design;

FIG. 2 is a top view of the rotatable campfire stick;

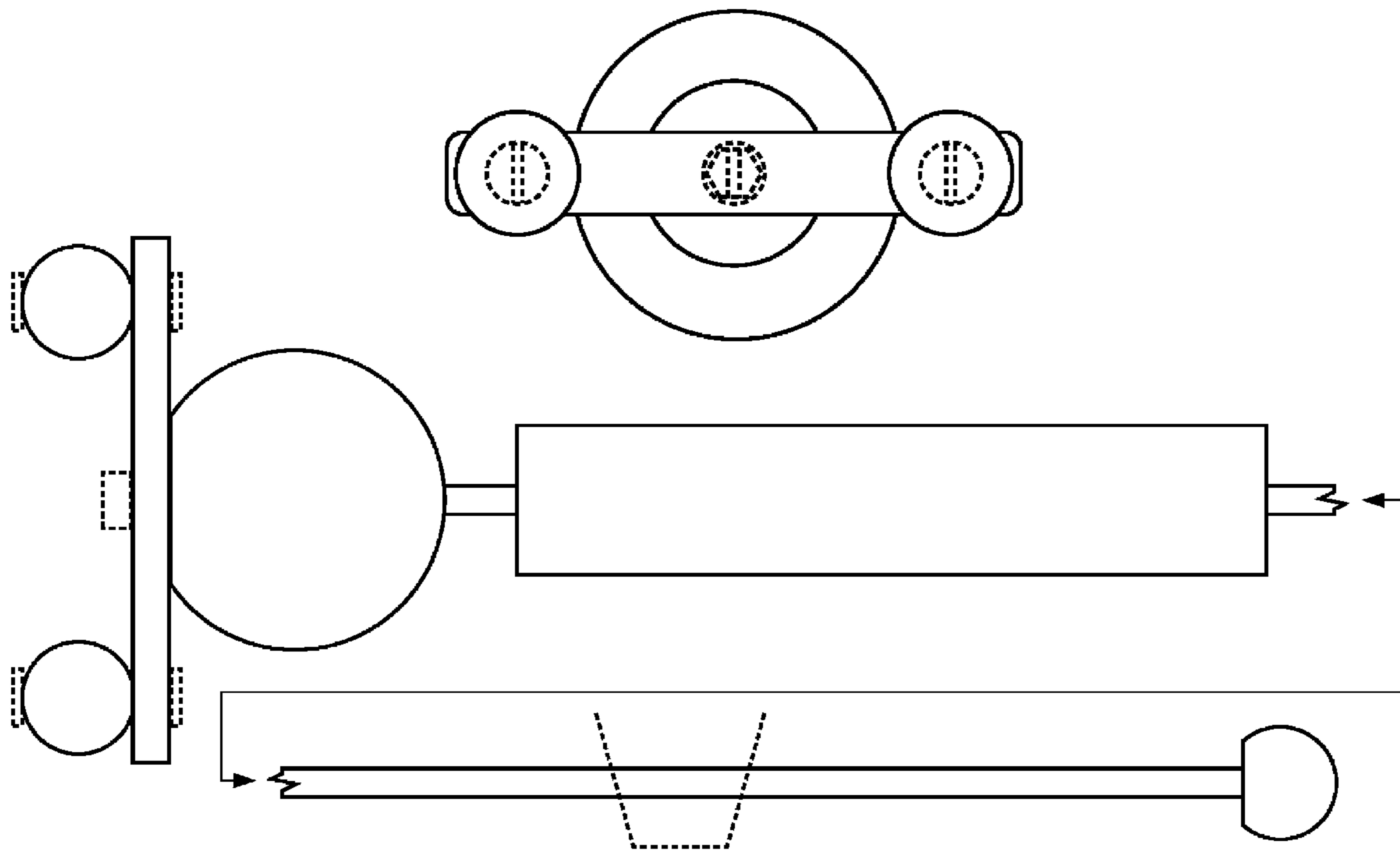
FIG. 3 is a front view of the rotatable campfire stick;

FIG. 4 is an enlarged vertical sectional view taken along line 4—4 of FIG. 3; and,

FIG. 5 is an enlarged vertical sectional view taken along line 5—5 of FIG. 3.

The broken lines in FIGS. 1 through 3 represent unclaimed environmental subject matter.

1 Claim, 4 Drawing Sheets



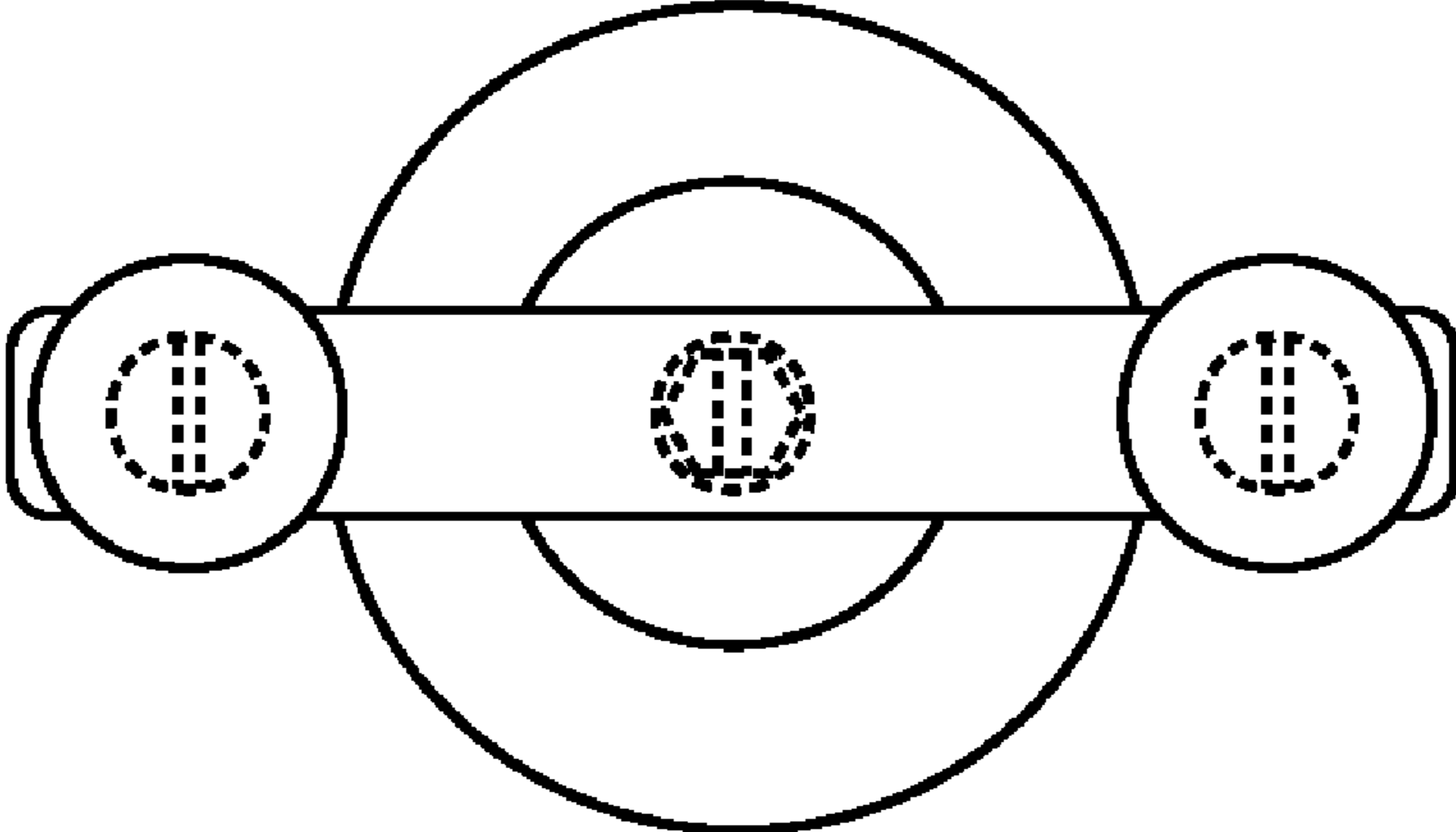


FIG. 1

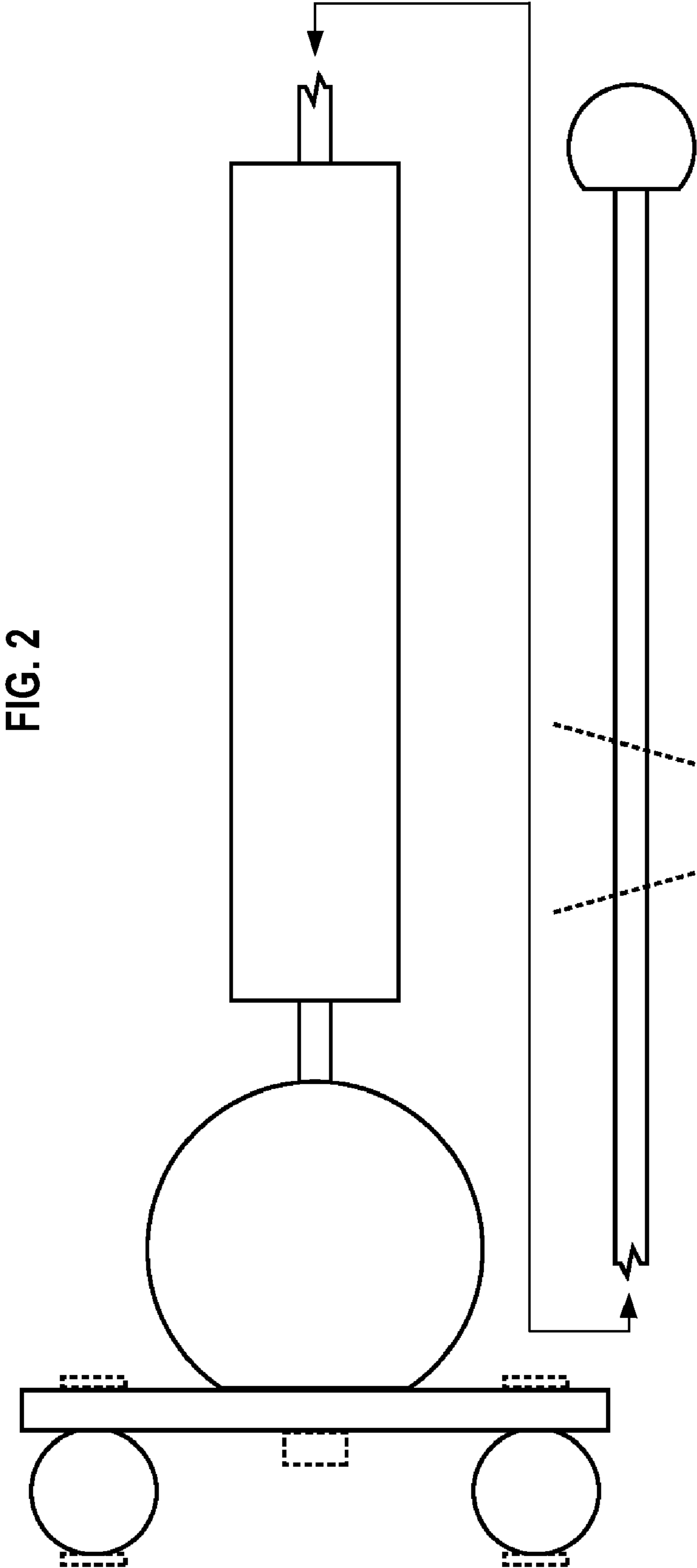
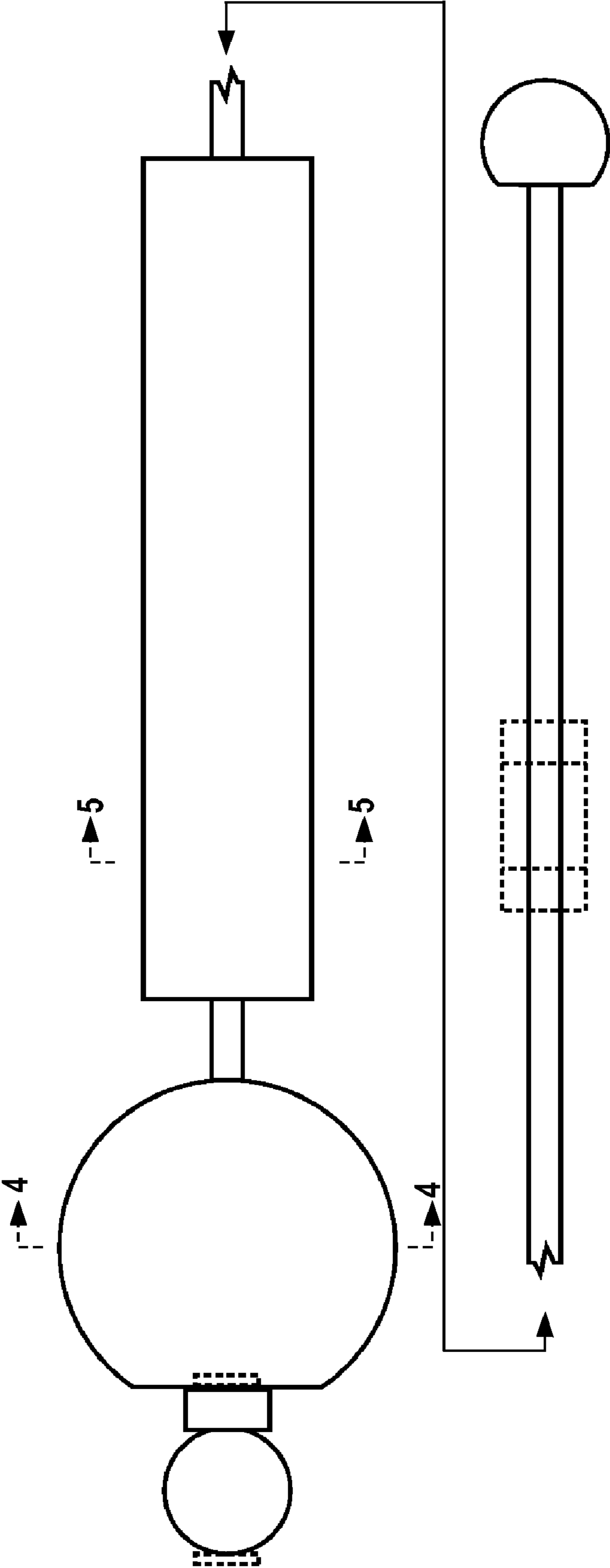


FIG. 2

FIG. 3



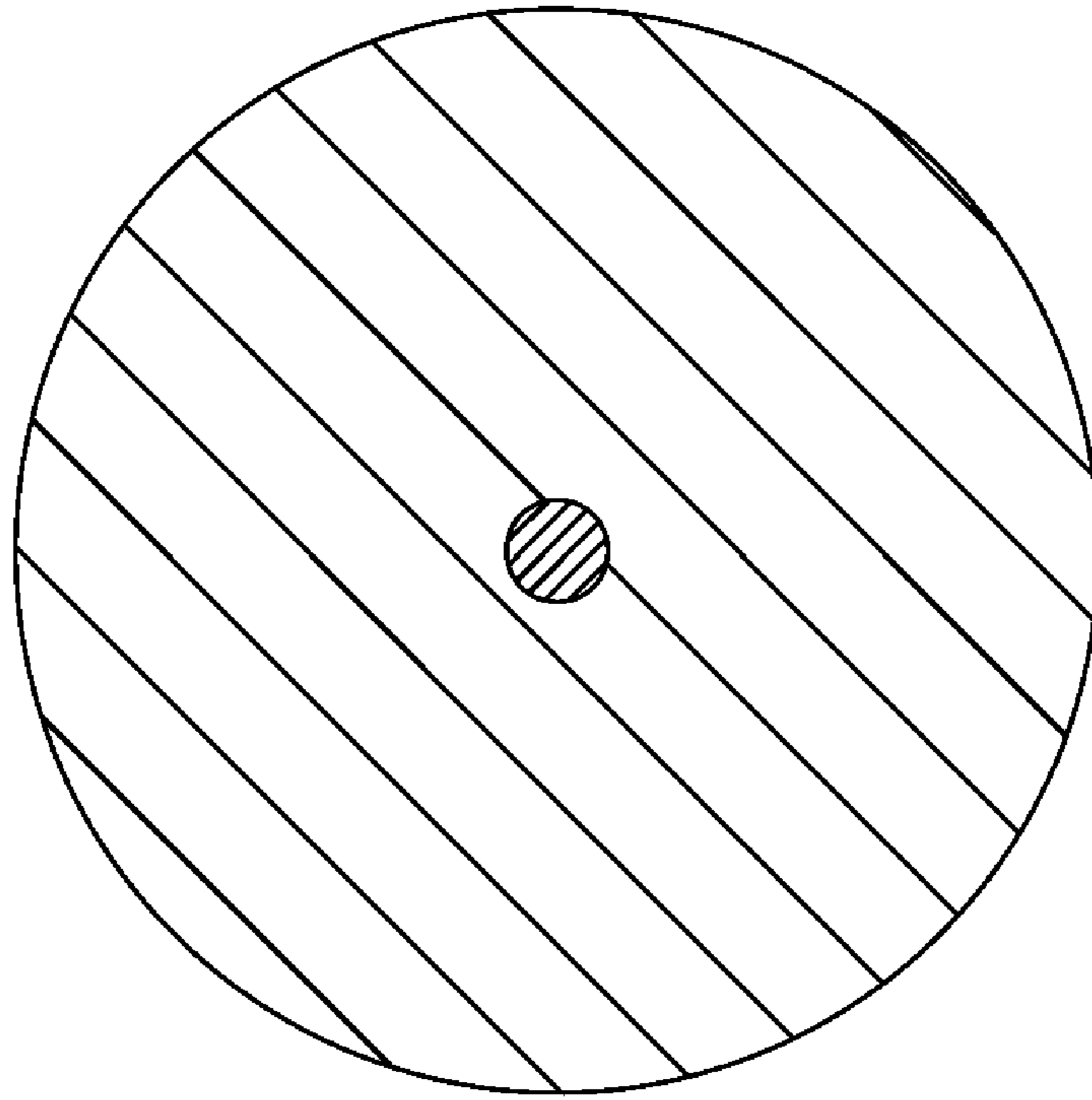


FIG.4

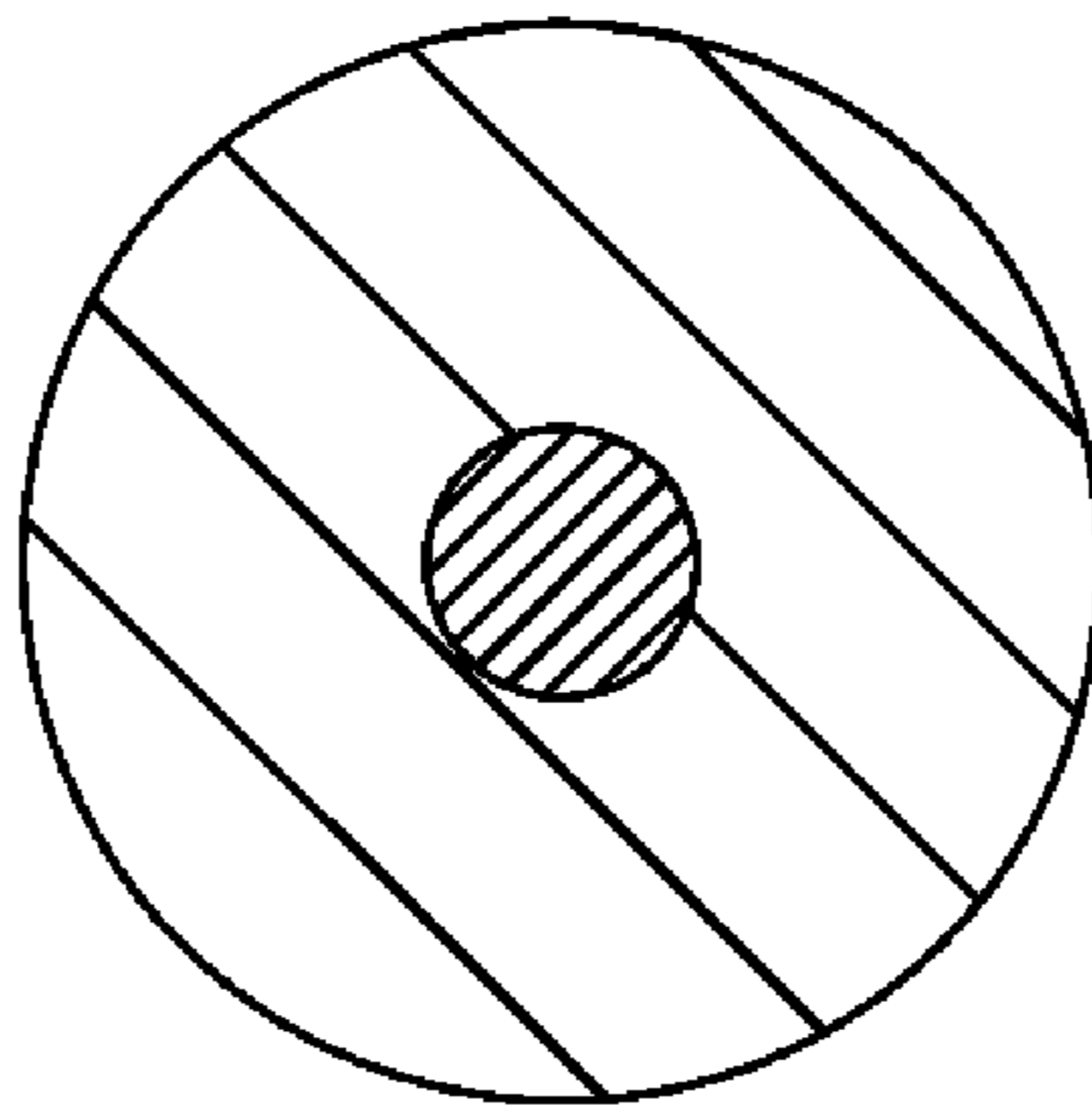


FIG.5