



US00D640358S

(12) **United States Design Patent**
Irvin

(10) **Patent No.:** **US D640,358 S**

(45) **Date of Patent:** **** Jun. 21, 2011**

(54) **SCREW TOP AIR FRESHENER**

(75) Inventor: **Aaron Irvin**, Salt Lake city, UT (US)

(73) Assignee: **American Covers, Inc.**, Bluffdale, UT (US)

(**) Term: **14 Years**

(21) Appl. No.: **29/378,116**

(22) Filed: **Oct. 29, 2010**

(51) **LOC (9) Cl.** **28-99**

(52) **U.S. Cl.** **D23/366**

(58) **Field of Classification Search** D23/355-369;
D28/5, 6; 261/DIG. 17, DIG. 42, DIG. 65,
261/DIG. 88, DIG. 89; 392/386, 390-395;
239/34, 35, 44-47, 50, 53, 56, 60, 145, 326

See application file for complete search history.

(56) **References Cited**

U.S. PATENT DOCUMENTS

D176,671 S	4/1876	Myers	
D140,109 S	1/1945	Pierce	
2,642,248 A	6/1953	Semon	
2,733,333 A	1/1956	Peters	
D177,826 S	5/1956	Katz	
D178,237 S	7/1956	Katz	
D212,753 S *	11/1968	Tughan D23/369
3,456,106 A	7/1969	Glusckin	
3,655,129 A	4/1972	Seiner	
3,948,445 A	4/1976	Andeweg	
3,971,858 A	7/1976	Collier et al.	
D250,041 S	10/1978	Schimanski	
4,184,099 A	1/1980	Lindauer et al.	
D254,930 S *	5/1980	Mandon et al. D23/369
D254,931 S *	5/1980	Mandon et al. D23/369
D255,263 S *	6/1980	Mandon et al. D23/369
4,226,944 A	10/1980	Stone et al.	
D258,511 S	3/1981	Ashton	
4,301,949 A	11/1981	Palson et al.	
1,683,545 A	9/1982	Harris	
D268,361 S *	3/1983	von Philipp et al. D23/369

D268,520 S *	4/1983	LeCaire Jr. D23/369
D268,614 S *	4/1983	von Philipp et al. D23/369
D272,757 S *	2/1984	Fee et al. D23/364
4,517,326 A	5/1985	Cordts et al.	
4,594,380 A	6/1986	Chapin et al.	
D286,323 S	10/1986	Haworth	

(Continued)

FOREIGN PATENT DOCUMENTS

EP 0 348 970 1/1990

(Continued)

OTHER PUBLICATIONS

ABOUT.COM Housekeeping, <http://housekeeping.about.com/od/pr...affresh, Febreze Noticeables>, accessed Oct. 2, 2008, 2 pages.

(Continued)

Primary Examiner — Sandra Snapp

(74) *Attorney, Agent, or Firm* — Thorpe North & Western LLP

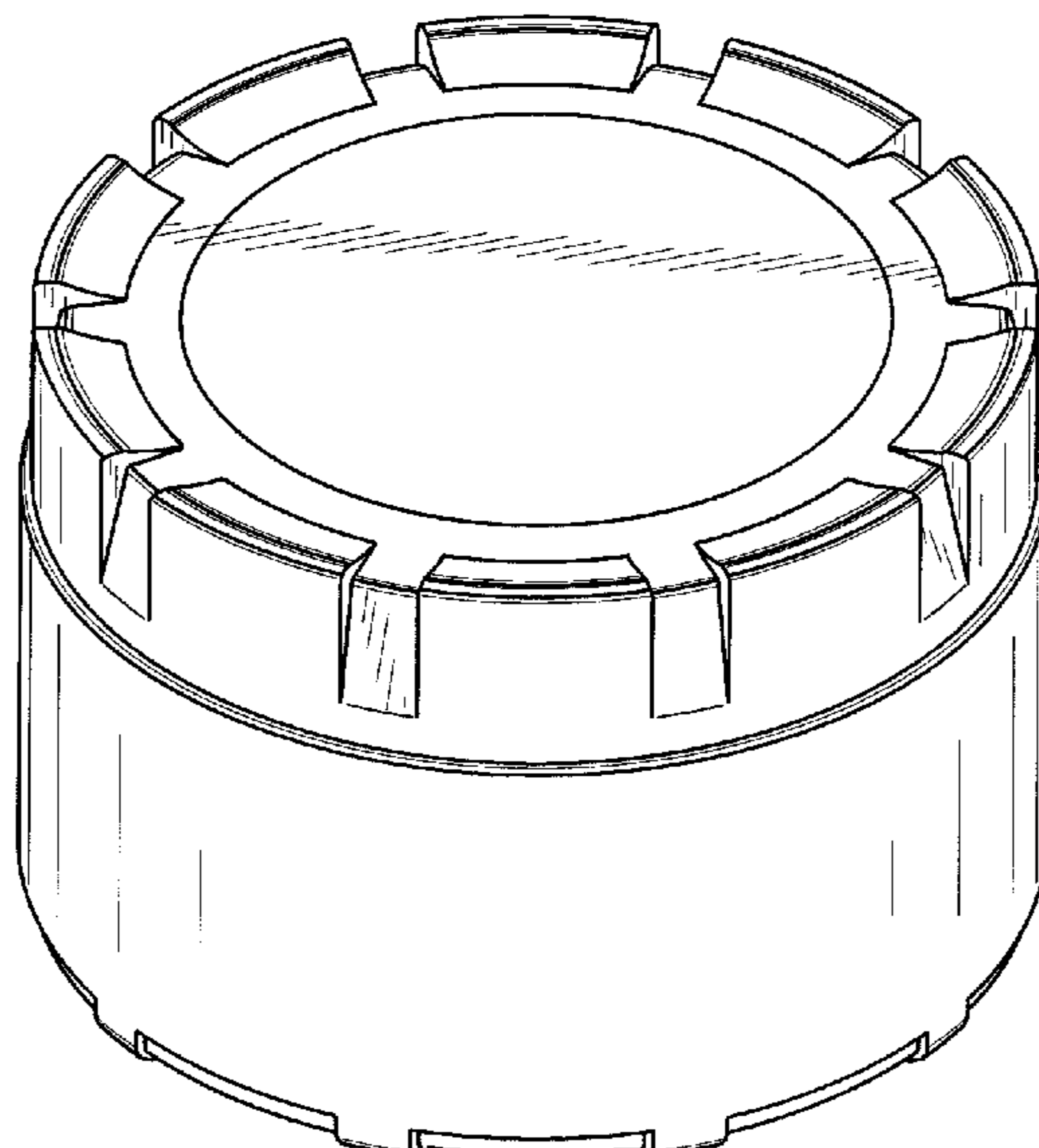
(57) **CLAIM**

The ornamental design for the screw top air freshener, as shown and described.

DESCRIPTION

FIG. 1 is a top perspective view of the screw top air freshener in accordance with my invention;
FIG. 2 is a bottom perspective view thereof;
FIG. 3 is a top plan view thereof;
FIG. 4 is a bottom plan view thereof
FIG. 5 is a front elevation view thereof;
FIG. 6 is a rear elevation view thereof;
FIG. 7 is a left side elevation view thereof; and,
FIG. 8 is a right side elevation view thereof.
The broken lines shown in FIGS. 5-8 are for illustrative purposes only and form no part of the claimed design.

1 Claim, 4 Drawing Sheets



U.S. PATENT DOCUMENTS

4,638,057 A 1/1987 Takahashi et al.
 4,649,046 A 3/1987 Kross
 D289,919 S * 5/1987 O'Neil, Jr. D23/366
 4,703,070 A 10/1987 Locko et al.
 RE32,834 E 1/1989 Cordts et al.
 4,808,347 A 2/1989 Dawn
 4,874,129 A 10/1989 DiSapio et al.
 4,880,690 A 11/1989 Szycher et al.
 4,950,542 A 8/1990 Barker
 4,968,456 A 11/1990 Muderlak et al.
 5,008,115 A 4/1991 Lee et al.
 5,019,434 A 5/1991 Matsumoto
 5,050,798 A 9/1991 Sullivan
 D322,558 S 12/1991 Halm et al.
 5,071,704 A 12/1991 Fischel-Ghodsian
 5,114,625 A 5/1992 Gibson
 5,178,327 A 1/1993 Palamand et al.
 5,193,445 A 3/1993 Ferguson
 5,220,636 A 6/1993 Chang
 D338,519 S 8/1993 Peterson
 5,234,162 A 8/1993 Sullivan
 5,368,822 A 11/1994 McNeil
 D367,526 S 2/1996 Bignon
 D380,258 S 6/1997 Muller et al.
 5,683,285 A 11/1997 Wong
 5,695,692 A 12/1997 Kennedy
 D390,941 S 2/1998 Cessaroni et al.
 5,762,549 A 6/1998 Scheuer et al.
 5,780,527 A 7/1998 O'Leary
 2,794,767 A 8/1998 Wilson
 5,820,791 A 10/1998 Canale
 D403,420 S * 12/1998 Vullion D23/367
 5,845,847 A 12/1998 Martin et al.
 D403,758 S * 1/1999 Bryson et al. D23/366
 5,861,128 A 1/1999 Vick et al.
 D404,957 S 2/1999 Cheris et al.
 5,871,765 A 2/1999 Johnson et al.
 D410,540 S 6/1999 Pinchuk
 D415,267 S 10/1999 Kauzlarich et al.
 6,044,202 A 3/2000 Junkel
 D425,190 S 5/2000 Morikawa
 6,111,055 A 8/2000 Berger et al.
 6,123,906 A 9/2000 Farmer
 D432,222 S 10/2000 Rymer et al.
 6,190,607 B1 2/2001 Farmer
 6,191,197 B1 2/2001 Wang et al.
 6,202,938 B1 3/2001 Collier
 D440,294 S 4/2001 Bilek
 6,264,887 B1 7/2001 Farmer
 6,291,371 B1 9/2001 Shefer et al.
 6,309,715 B1 10/2001 Lindauer et al.
 6,325,475 B1 12/2001 Hayes et al.
 6,357,260 B1 3/2002 Lutz
 6,374,044 B1 4/2002 Freidel
 6,375,966 B1 4/2002 Maleeny et al.
 6,379,689 B1 4/2002 Aguadisch
 6,416,043 B1 7/2002 Eisenbraun
 6,514,467 B1 2/2003 Bulsink et al.
 D472,968 S 4/2003 Christianson
 D478,379 S 8/2003 Talenton et al.
 D478,973 S 8/2003 Wagner
 D479,592 S 9/2003 Lammel et al.
 D485,343 S 1/2004 Wu
 D487,504 S 3/2004 Yuen
 6,712,286 B2 3/2004 Baxter et al.
 D488,214 S 4/2004 Quantin
 D488,548 S 4/2004 Lablaine
 D491,798 S 6/2004 Buthier
 D496,720 S 9/2004 Dudley
 6,800,252 B1 10/2004 Jedzinski
 6,885,811 B2 4/2005 He et al.
 D504,943 S 5/2005 Dudley
 D507,341 S 7/2005 Taylor
 D511,568 S 11/2005 Wheatley
 D514,679 S 2/2006 Wheatley
 D515,192 S 2/2006 Smith et al.
 7,025,283 B2 4/2006 Torres
 7,055,764 B1 6/2006 Martinez et al.

7,061,386 B2 6/2006 Seresini
 D527,448 S * 8/2006 Ku D23/366
 7,137,570 B2 11/2006 Wheatley et al.
 D535,379 S 1/2007 Hundertmark
 7,159,792 B2 1/2007 Wheatley et al.
 D544,080 S 6/2007 Carlson
 D546,432 S 7/2007 Hundertmark
 7,243,859 B2 7/2007 Caserta et al.
 D550,345 S * 9/2007 Weggelaar D23/366
 D552,724 S * 10/2007 Chen D23/366
 7,293,719 B2 11/2007 Wheatley
 D565,162 S 3/2008 Carlson
 7,344,123 B2 3/2008 Pankhurst et al.
 D573,706 S 7/2008 Zlotnik et al.
 D574,941 S 8/2008 Weggelaar
 D580,039 S 11/2008 Zlotnik et al.
 D585,971 S 2/2009 Carrizales
 D594,954 S 6/2009 Wheatley
 D598,531 S 8/2009 Irvin
 D607,983 S 1/2010 Irvin
 7,687,037 B2 3/2010 Wheatley
 7,687,038 B2 3/2010 Wheatley
 7,780,094 B2 8/2010 Caserta et al.
 2003/0097936 A1 5/2003 Maleeny et al.
 2003/0199421 A1 10/2003 Copfer
 2004/0265164 A1 12/2004 Woo et al.
 2005/0169793 A1 8/2005 Wheatley et al.
 2006/0078477 A1 4/2006 Althouse et al.
 2007/0057084 A1 3/2007 Vieira
 2007/0160492 A1 7/2007 Spector
 2008/0128925 A1 6/2008 Pankhurst et al.
 2010/0065654 A1 3/2010 Wheatley et al.
 2010/0187327 A1 7/2010 Irvin

FOREIGN PATENT DOCUMENTS

EP 1 346 734 9/2003
 WO WO 00/24434 5/2000
 WO WO 00/64498 11/2000
 WO WO 02/35975 5/2002
 WO WO 02/38029 5/2002
 WO WO 2006/010282 2/2006
 WO WO 2006/084160 8/2006
 WO WO 2004/078219 1/2007
 ZA 20004637 9/2000

OTHER PUBLICATIONS

Aromate E-News, Innovation in Novelty Fragrance, [Http://209.85.173.104/searsh?qcach...](http://209.85.173.104/searsh?qcach...), accessed Oct. 8, 2008, 2 pages.
 ecrater, www.ecrater.com/product.hp?..., Yankee Candle Selects Two Scents Electric Fragrance Unit Macintosh/Home Sweet Home, accessed Oct. 2, 2008, 1 page.
<http://decomodo.com/articles/categor/lighting/>, Bamboo Pillar Candle, Jan. 8, 2008, 1 page.
http://shop.advanceautoparts.com/webapp/wcs/stores/servlet/product_6170795-P_N3004... Advance Auto Part; Arometrics Dual-Scent Vent—Juicy Strawberry and Vanilla; 1 Page; accessed Dec. 10, 2010.
http://www.bestliquidations.com/Medo_Vent_Frehser.htm; BestLiquidations.com; Medo Vent Fresh Air Fresheners; 2 pages; accessed Dec. 10, 2010.
 Medo® Air Fresheners; Auto Expressions™ 2005 Product Catalog; 25 pages.
 Pictures (3) of Medo® auto Expressions Vent™ Air Freshener distributed by Sopus Products of Moorpark, CA 2003 copyright date on package.
 Scents & Sprays, www.scentsandsprays.com/ya..., Yankee Autumn Bounty Electric 2 Home Air Fresheners, copyright 2001-2008 scentsandsprays.com, accessed Oct. 2, 2008, 1 page.
 U.S. Appl. No. 12/378,121, filed Oct. 29, 2010; Aaron Irvin.
 U.S. Appl. No. 12/915,924, filed Oct. 29, 2010; Nathaniel Finlay.
 U.S. Appl. No. 12/915,983, filed Oct. 29, 2010; Alan J. Wheatley.
 U.S. Appl. No. 12/916,038, filed Oct. 29, 2010; Aaron Irvin.
 U.S. Appl. No. 12/979,763, filed Dec. 28, 2010; Aaron Irvin.

US D640,358 S

Page 3

U.S. Appl. No. 12/979,795, filed Dec. 28, 2010; Aaron Irvin.
U.S. Appl. No. 12/979,813, filed Dec. 28, 2010; Aaron Irvin.
U.S. Appl. No. 13/009,574, filed Jan. 19, 2011; Alan J. Wheatley.
U.S. Appl. No. 29/378,112, filed Oct. 29, 2010; Nathaniel Finlay.
www.4imprint.com/EXEC/DETAIL/FROMPRODUCTGROUP/~SKU100300/~CA100300.htm, Hot Rod Vent Stick Air Freshener (it . . . , accessed Aug. 12, 2008, 2 pages.

www.autothing.com/Products/Air%20Fresheners/air%20freshener-clip.htm, Air Fresheners, Fresh Scents for you mobile Life, Clip-on Air Vent Clips rom Eagle o., Accessed Aug. 12, 2008, 1 page.
www.chicscents.com/Products.aspx Island Adventure Sandals; 2 pages; accessed Feb. 1, 2011.
www.chicscents.com/Products.aspx; Inspiration 3-D by Chic; 2 pages; accessed Feb. 1, 2011.

* cited by examiner

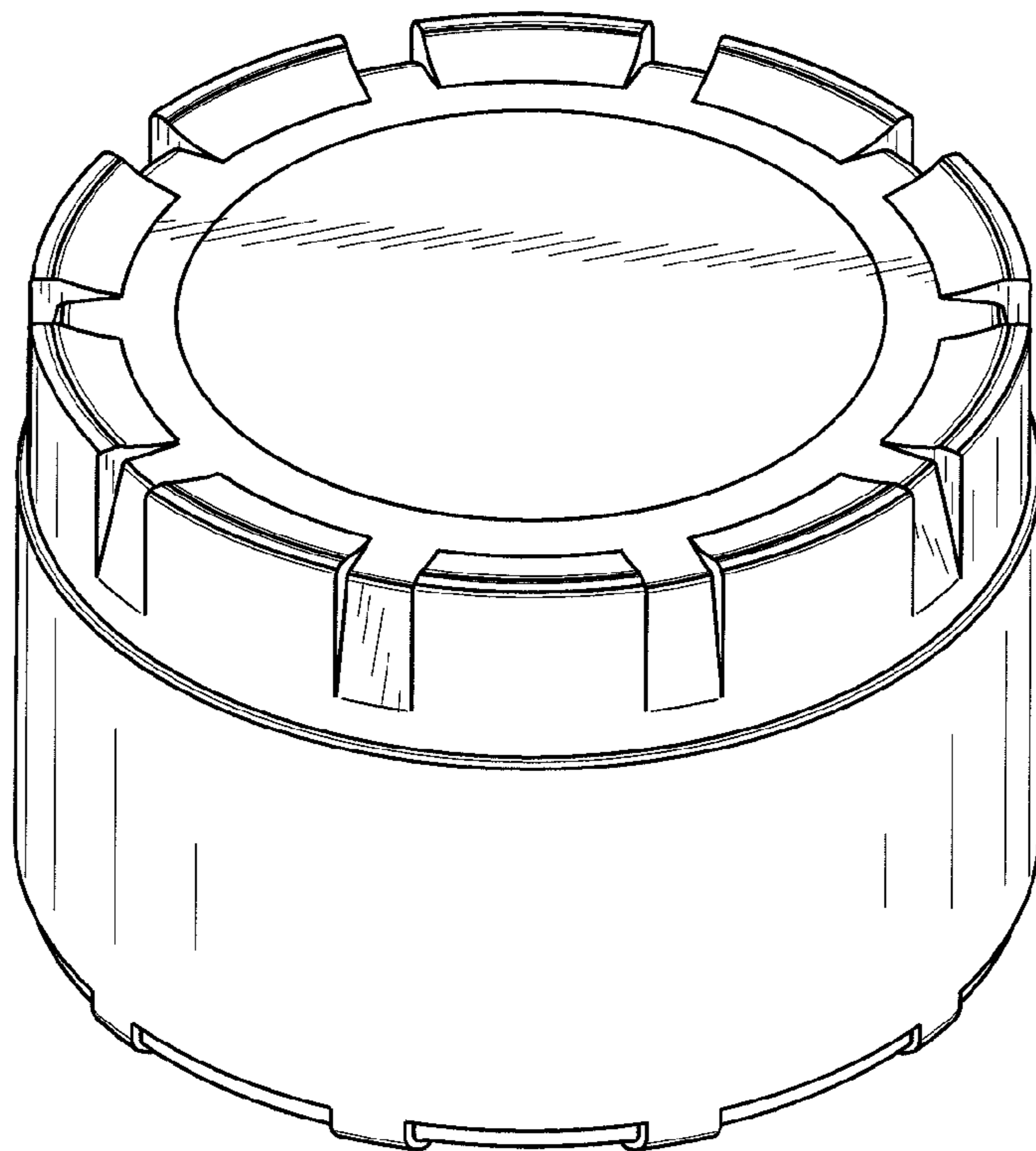


FIG. 1

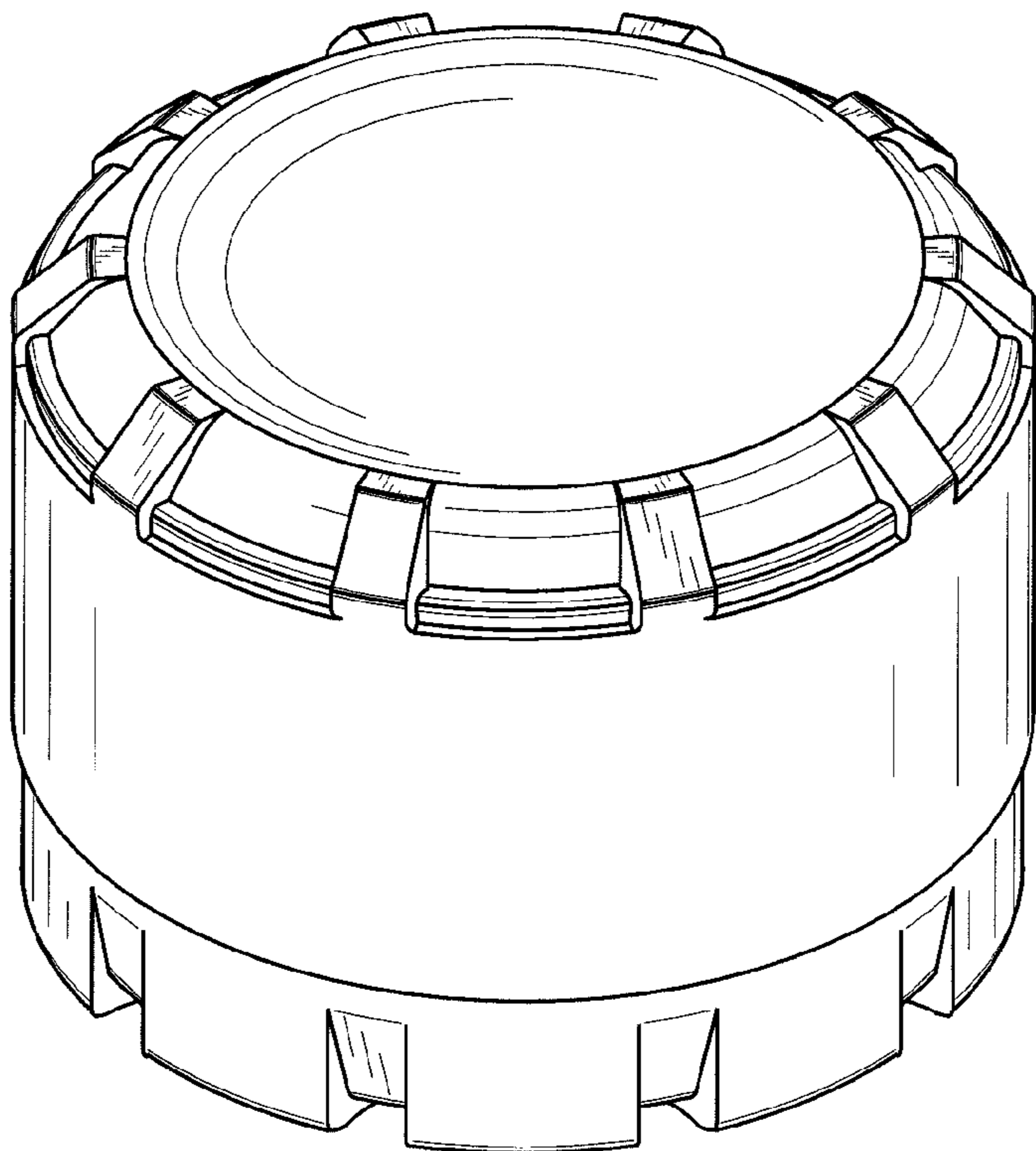


FIG. 2

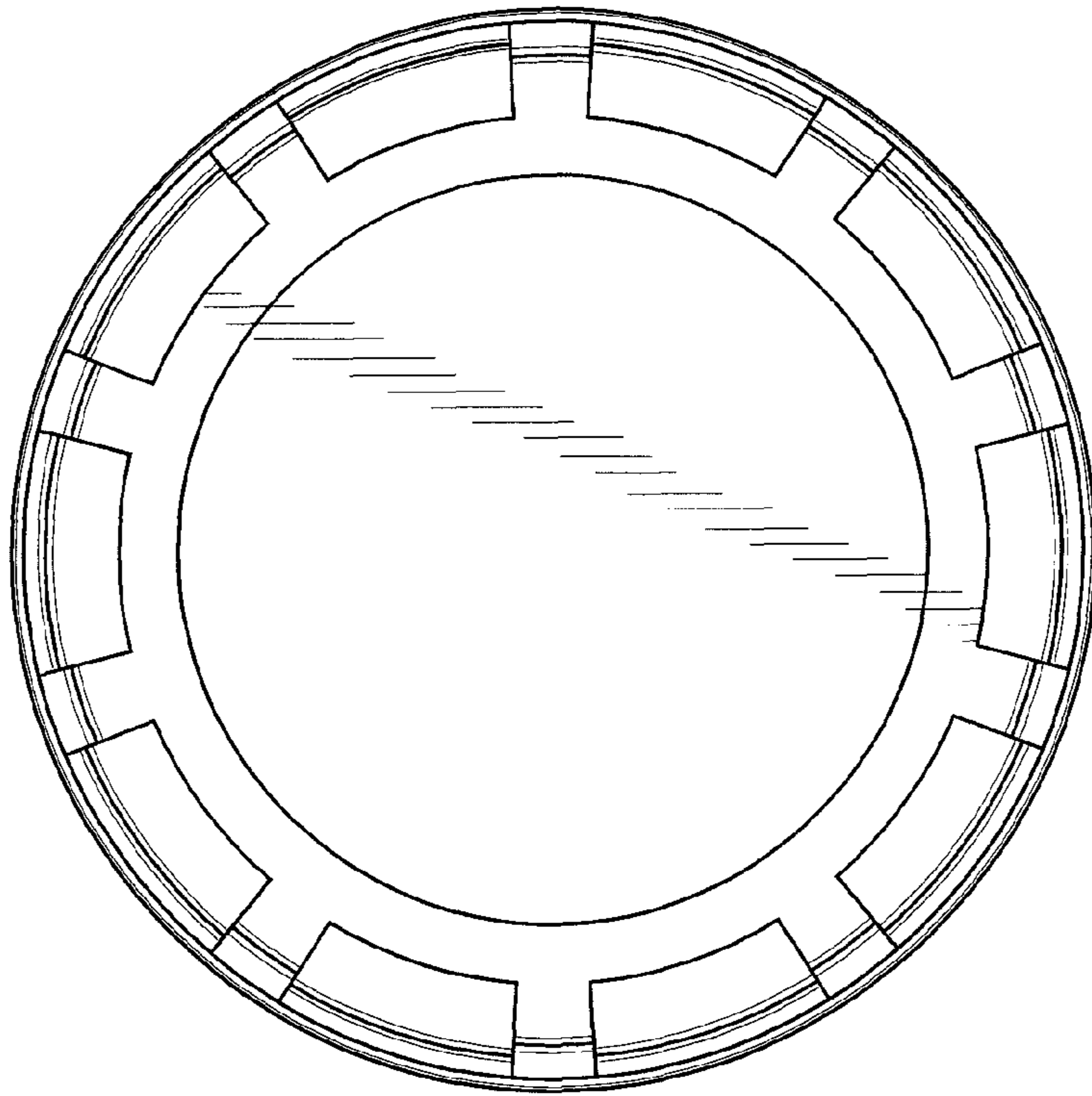


FIG. 3

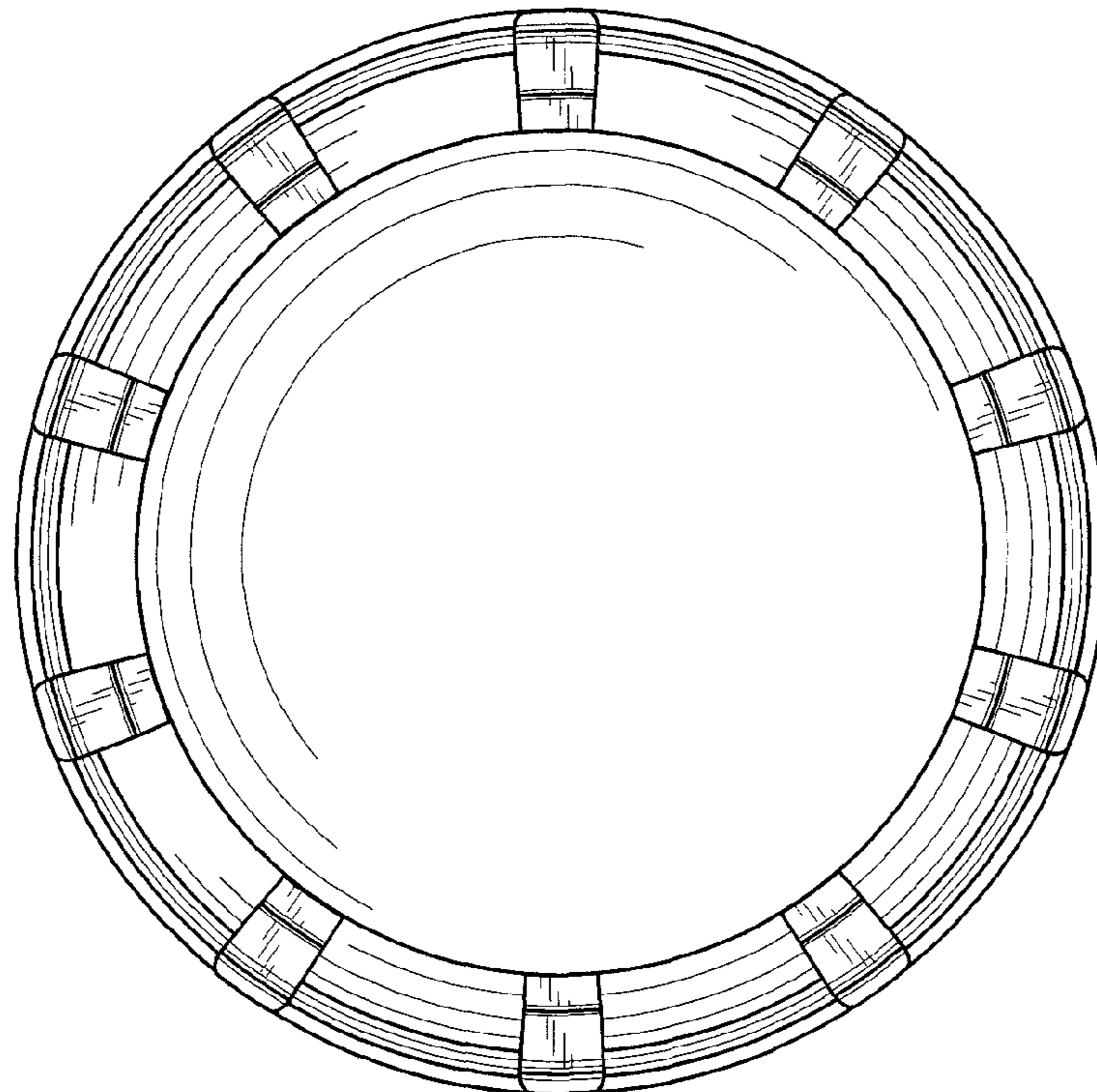


FIG. 4

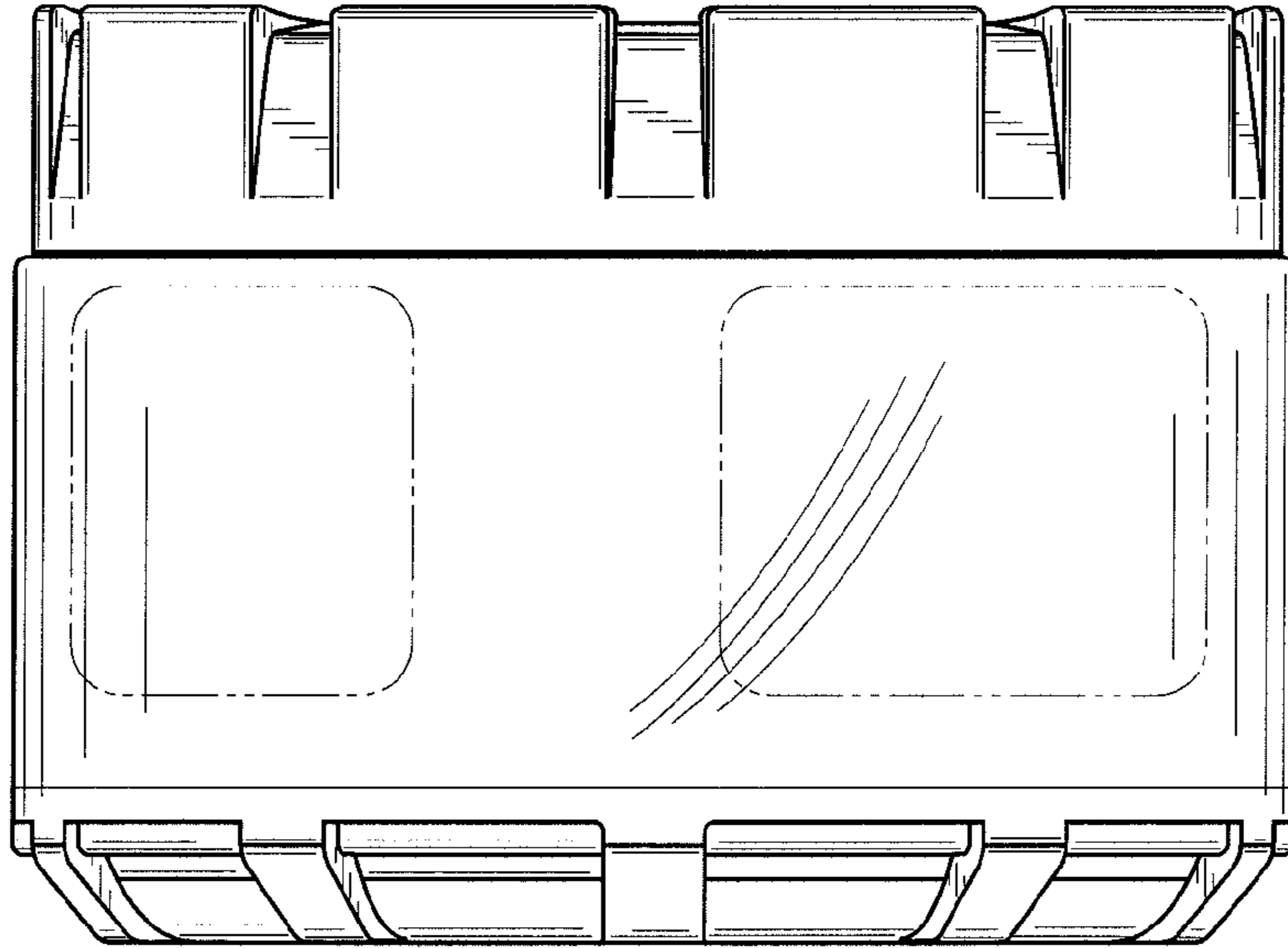


FIG. 5

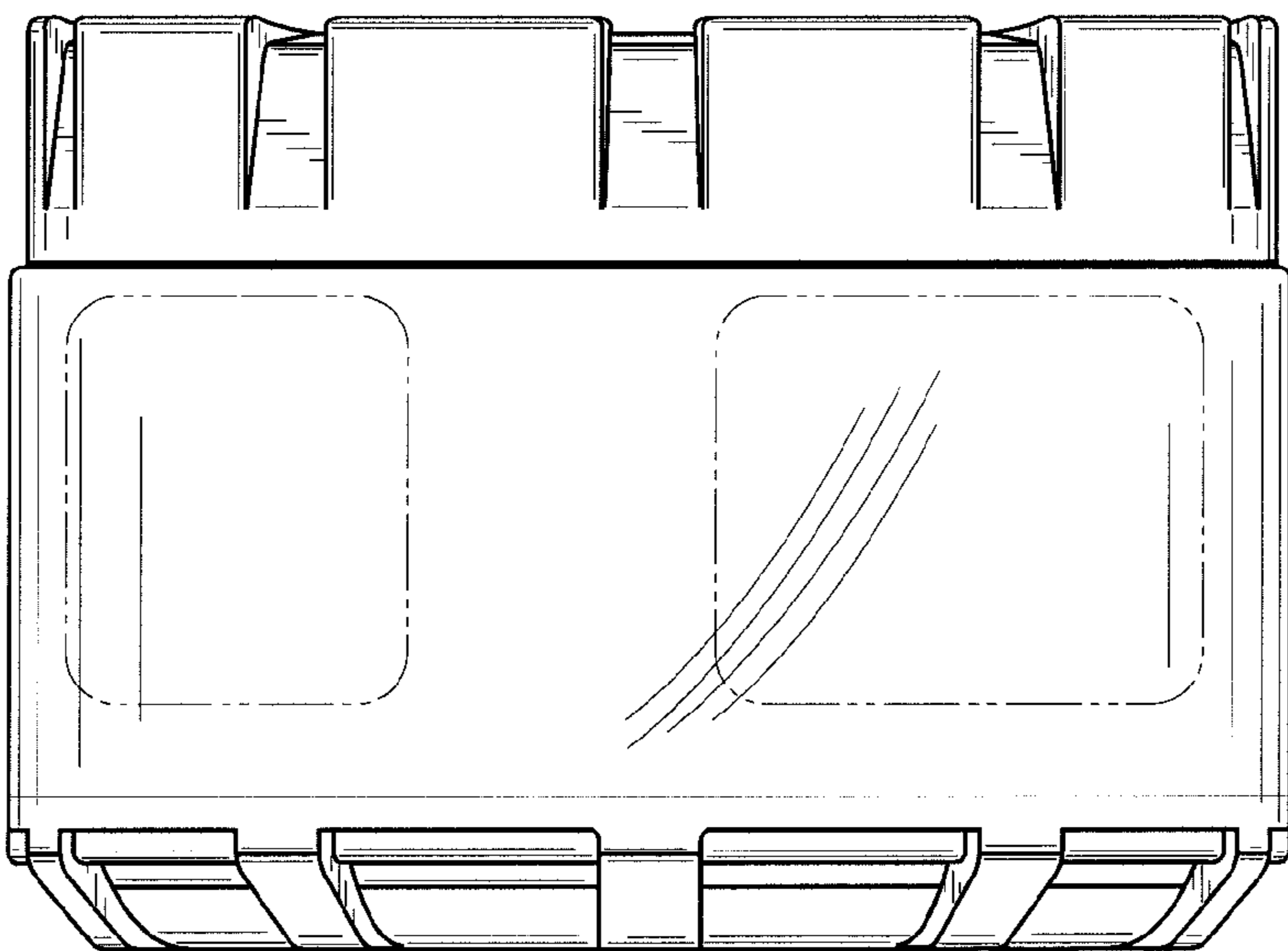


FIG. 6

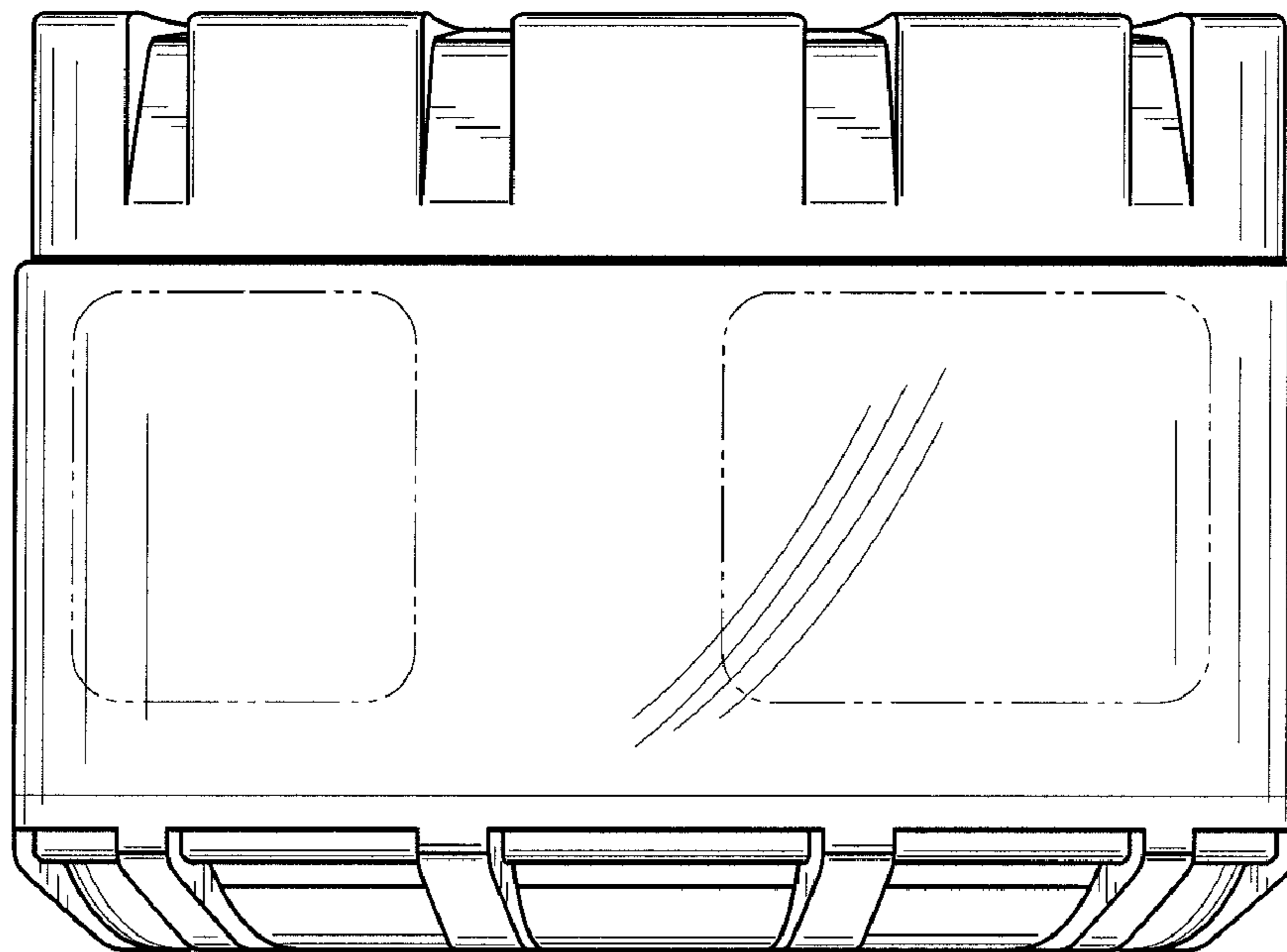


FIG. 7

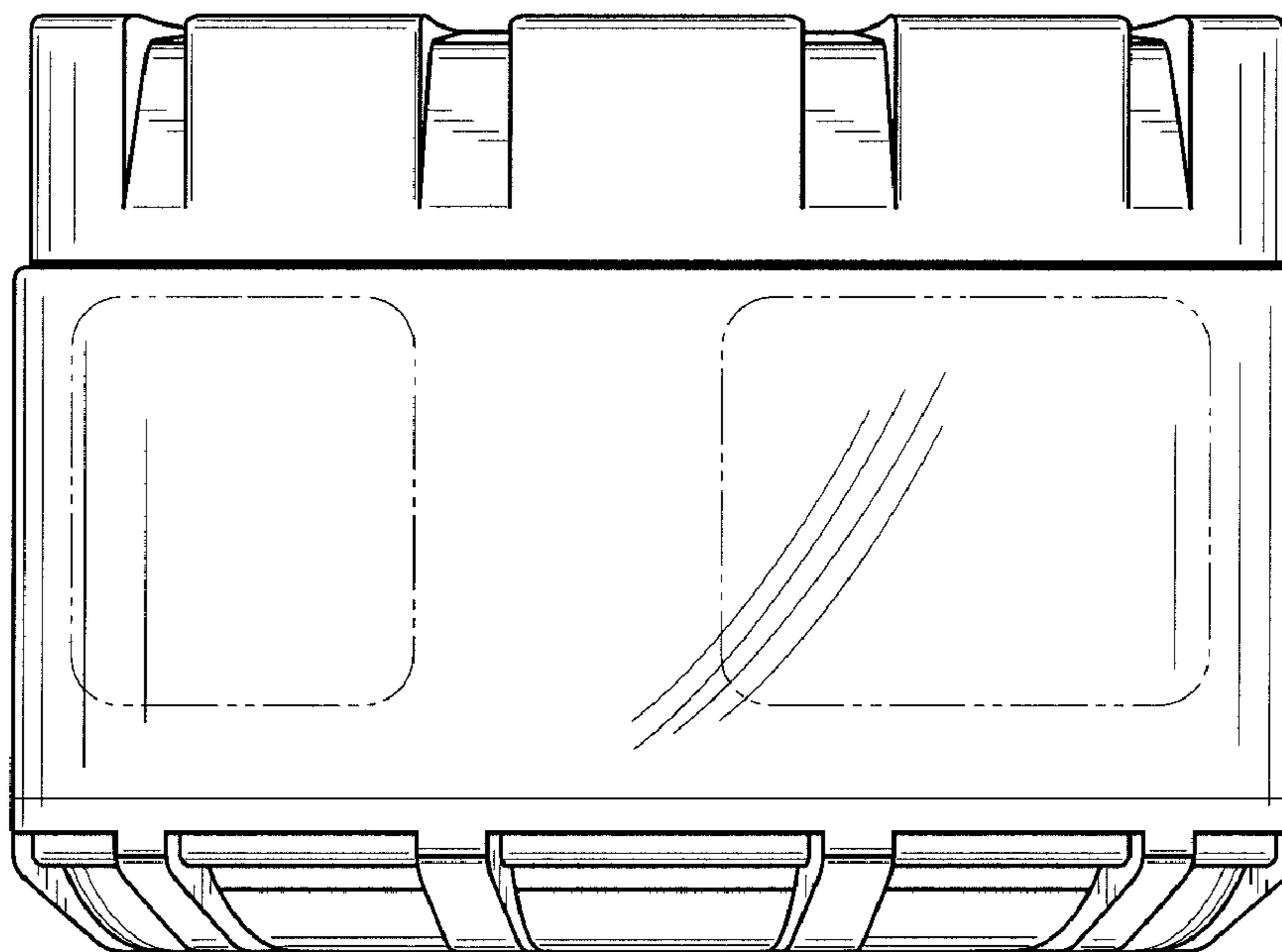


FIG. 8