



US00D640357S

(12) **United States Design Patent**  
**Kim et al.**

(10) **Patent No.:** **US D640,357 S**

(45) **Date of Patent:** **\*\* Jun. 21, 2011**

(54) **AIR CONDITIONER**

(75) Inventors: **KiSoo Kim**, Kyunggi-do (KR); **Min Hyoug Boo**, Seoul (KR)

(73) Assignee: **Samsung Electronics Co., Ltd.**, Suwon-Si (KR)

(\*\*) Term: **14 Years**

(21) Appl. No.: **29/357,396**

(22) Filed: **Mar. 11, 2010**

(51) **LOC (9) Cl.** ..... **23-04**

(52) **U.S. Cl.** ..... **D23/351**

(58) **Field of Classification Search** ..... D23/351-354,  
D23/385, 355, 357, 361, 335; 312/236; 62/259.1,  
62/259.4, 262-263, 304; 454/330-331, 349-350  
See application file for complete search history.

(56) **References Cited**

**U.S. PATENT DOCUMENTS**

D379,650 S \* 6/1997 Smith et al. .... D23/335  
D401,313 S \* 11/1998 Murakami et al. .... D23/325

D465,837 S \* 11/2002 Hatanaka et al. .... D23/351  
D593,664 S \* 6/2009 Chouji et al. .... D23/351  
D597,185 S \* 7/2009 Faynshteyn ..... D23/351

\* cited by examiner

*Primary Examiner* — Brian N Vinson

(74) *Attorney, Agent, or Firm* — Ladas & Parry LLP

(57) **CLAIM**

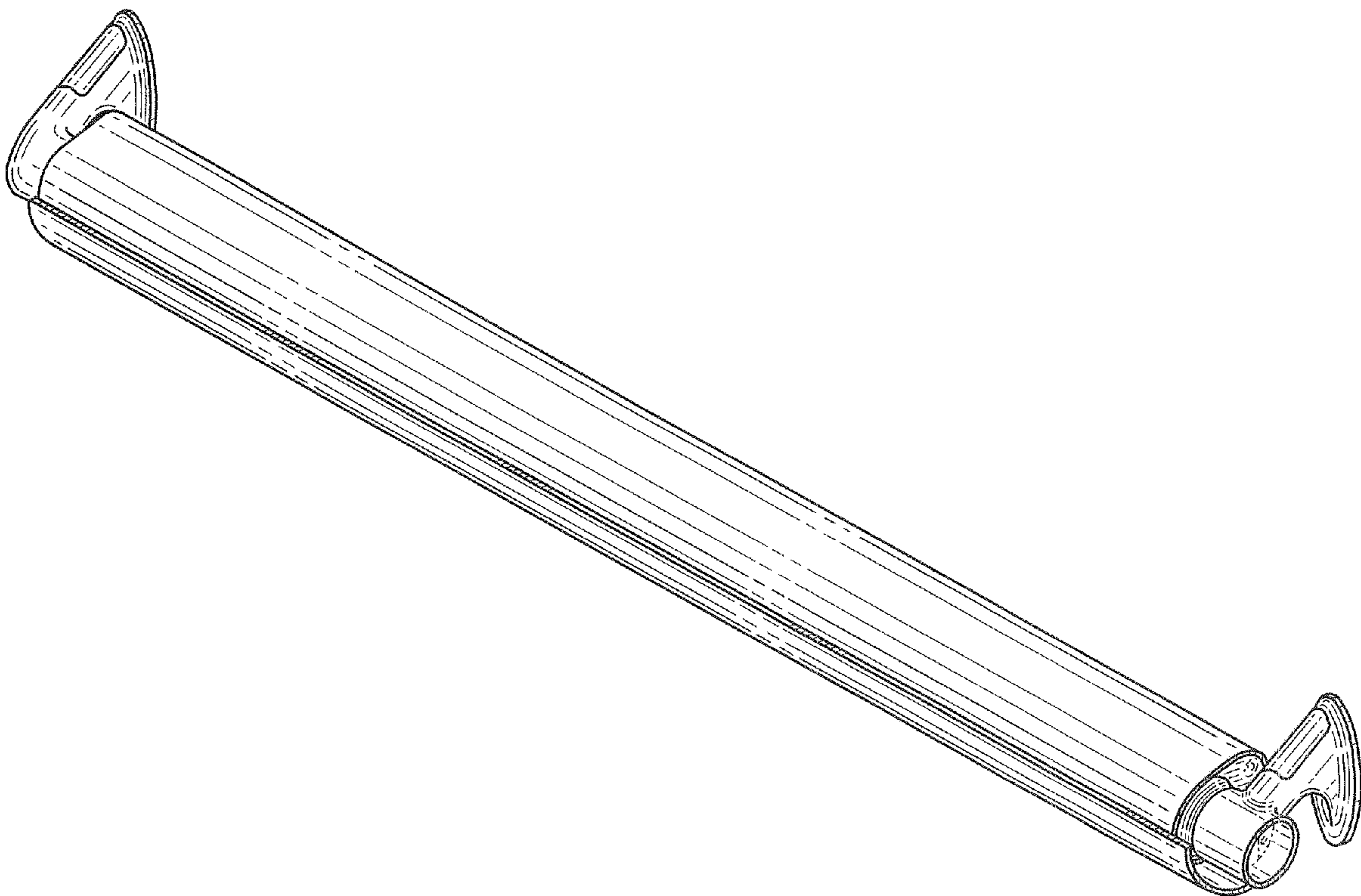
The ornamental design for an air conditioner, as shown and described.

**DESCRIPTION**

FIG. 1 is a top, front, and right side perspective view of an air conditioner showing our new design;  
FIG. 2 is a front elevational view thereof;  
FIG. 3 is a rear elevational view thereof;  
FIG. 4 is a left side elevational view thereof;  
FIG. 5 is a right side elevational view thereof;  
FIG. 6 is a top plan view thereof; and,  
FIG. 7 is a bottom plan view thereof.

The broken-line disclosure represents portions of the article in which the claimed design is embodied, but which form no part of the claimed design.

**1 Claim, 4 Drawing Sheets**



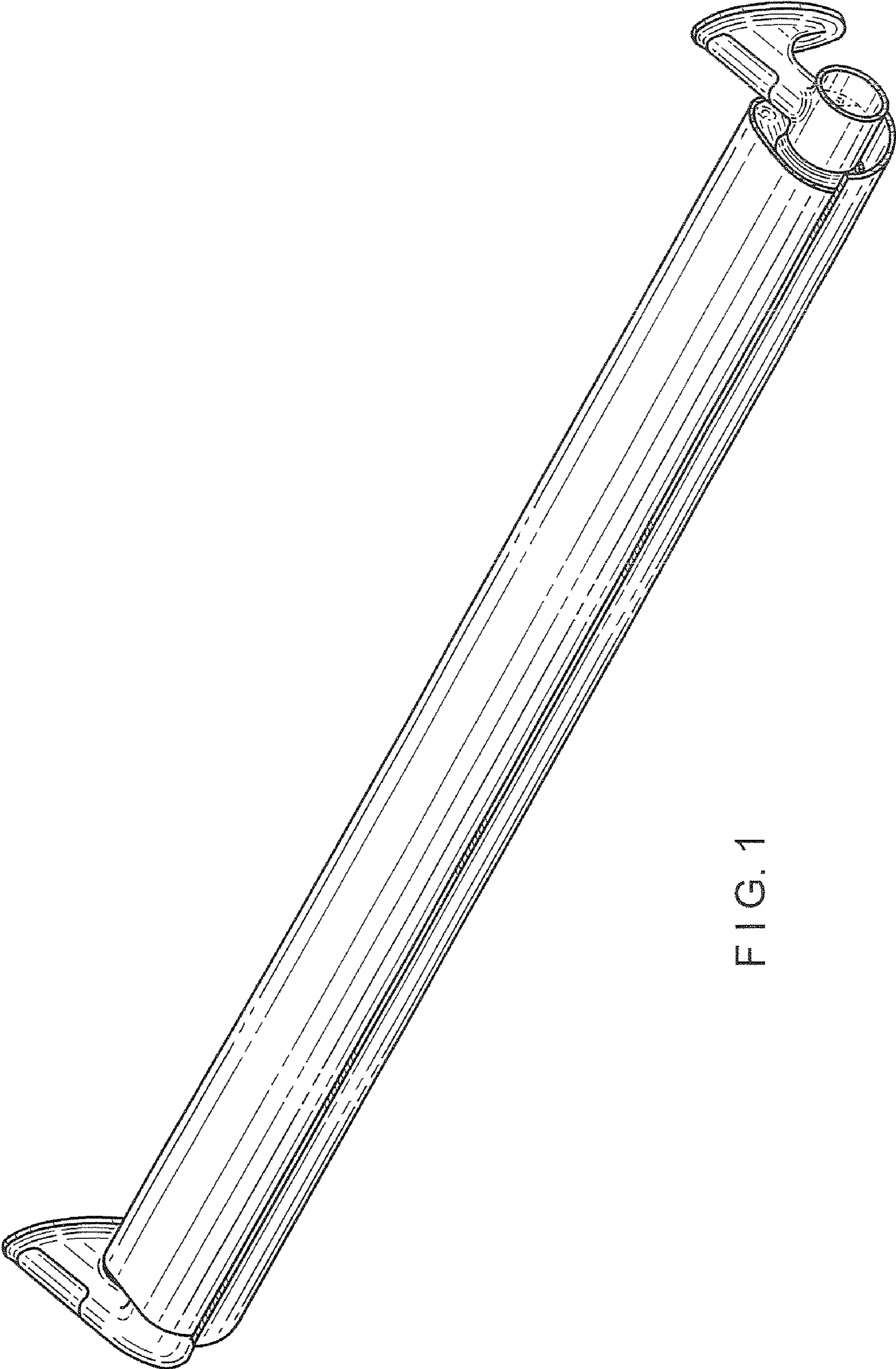


FIG. 1

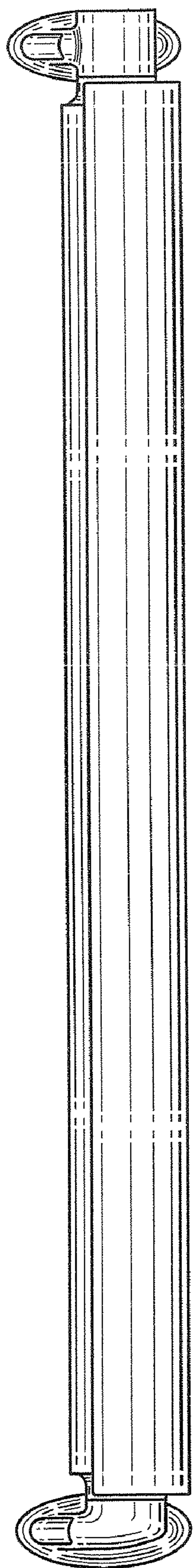


FIG. 2

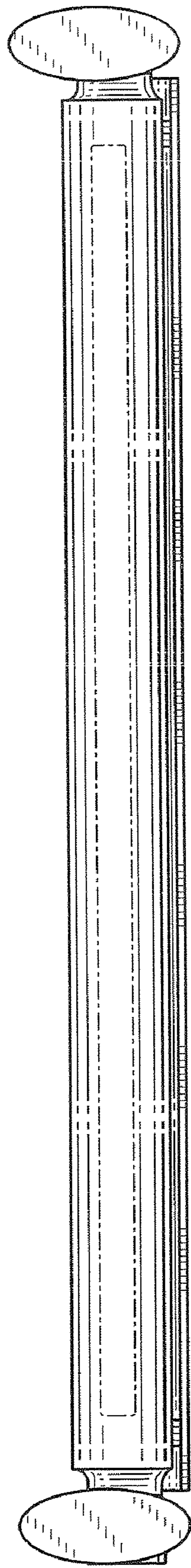


FIG. 3

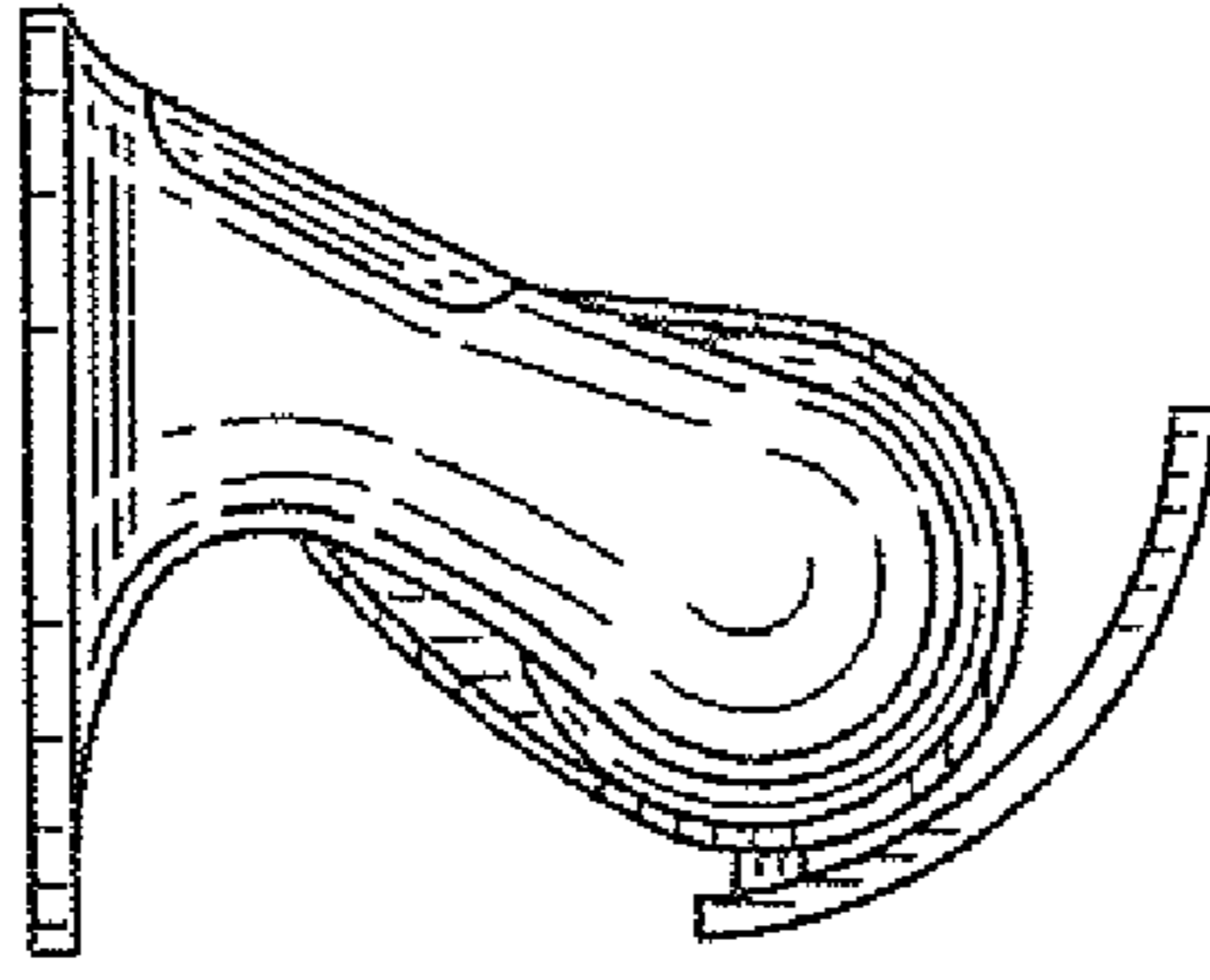


FIG. 4

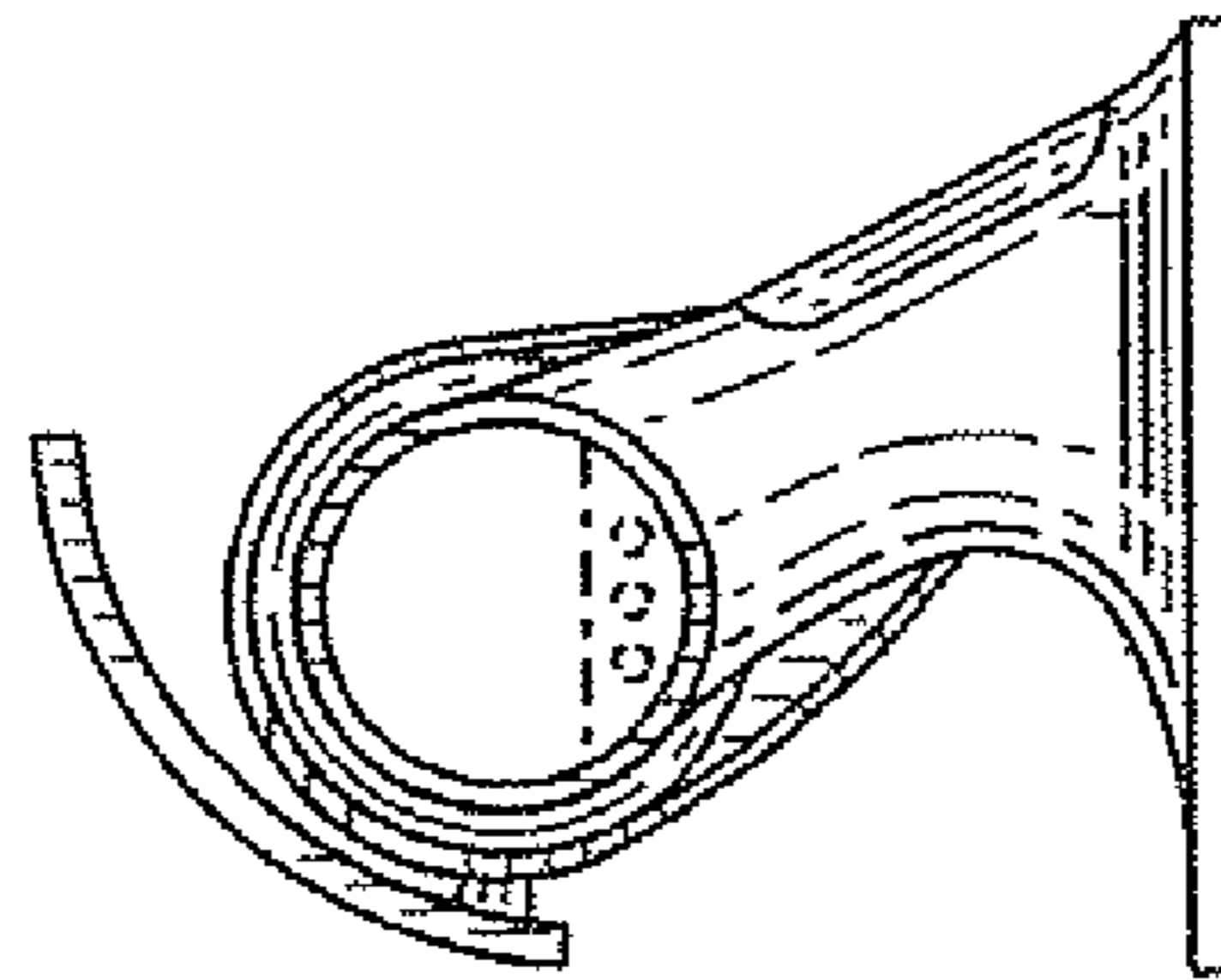


FIG. 5



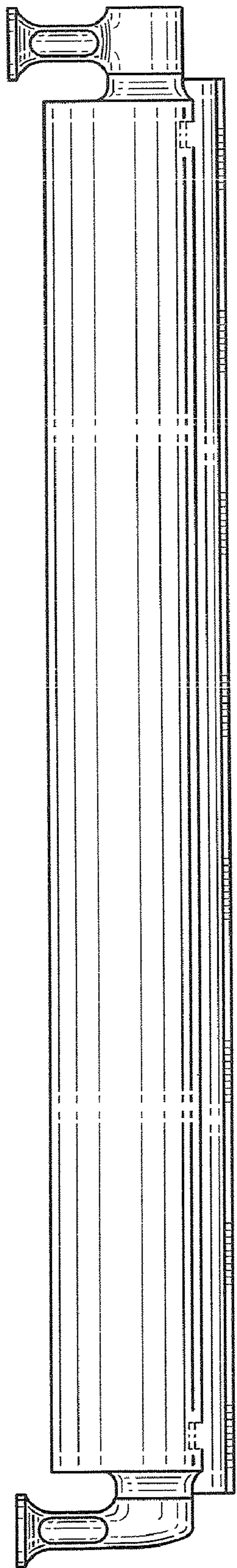


FIG. 6

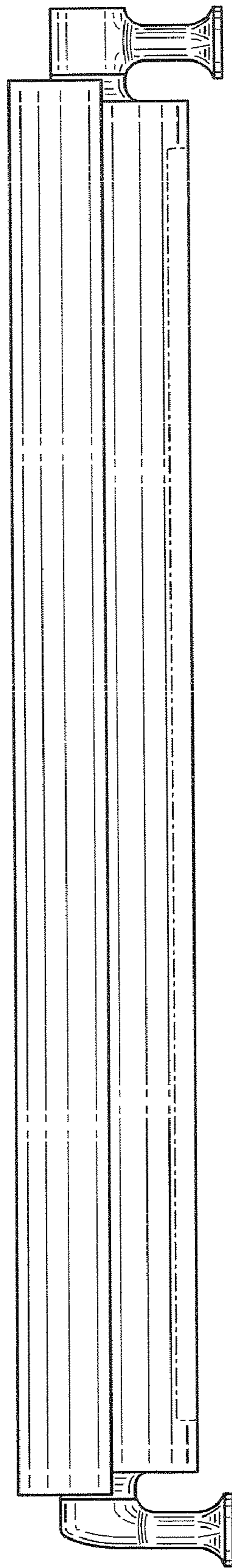


FIG. 7