



US00D640352S

(12) **United States Design Patent**
Barry

(10) **Patent No.:** **US D640,352 S**

(45) **Date of Patent:** **** Jun. 21, 2011**

(54) **FAUCET**

Primary Examiner — Robert A Delehanty

(75) Inventor: **Barbara Joan Barry**, Beverly Hills, CA
(US)

(74) *Attorney, Agent, or Firm* — Foley & Lardner LLP

(73) Assignee: **Kohler Co.**, Kohler, WI (US)

(57) **CLAIM**

(**) Term: **14 Years**

The ornamental design for a faucet, as shown and described.

(21) Appl. No.: **29/358,611**

(22) Filed: **Mar. 30, 2010**

DESCRIPTION

(51) **LOC (9) Cl.** **23-01**

FIG. 1 is a perspective view of the front, top, and right side of a faucet embodying my new design;

(52) **U.S. Cl.** **D23/255**

FIG. 2 is a top plan elevational view thereof;

(58) **Field of Classification Search** D23/238,
D23/241–242, 255, 257, 249; 4/675–678;
137/801

FIG. 3 is a front elevational view thereof, the rear elevational view being a mirror image of the front elevational view;

See application file for complete search history.

FIG. 4 is a right side elevational view thereof;

(56) **References Cited**

U.S. PATENT DOCUMENTS

D472,615 S *	4/2003	Smith	D23/255
D489,119 S *	4/2004	Ouyoung	D23/242
D581,029 S *	11/2008	Gilbert	D23/255

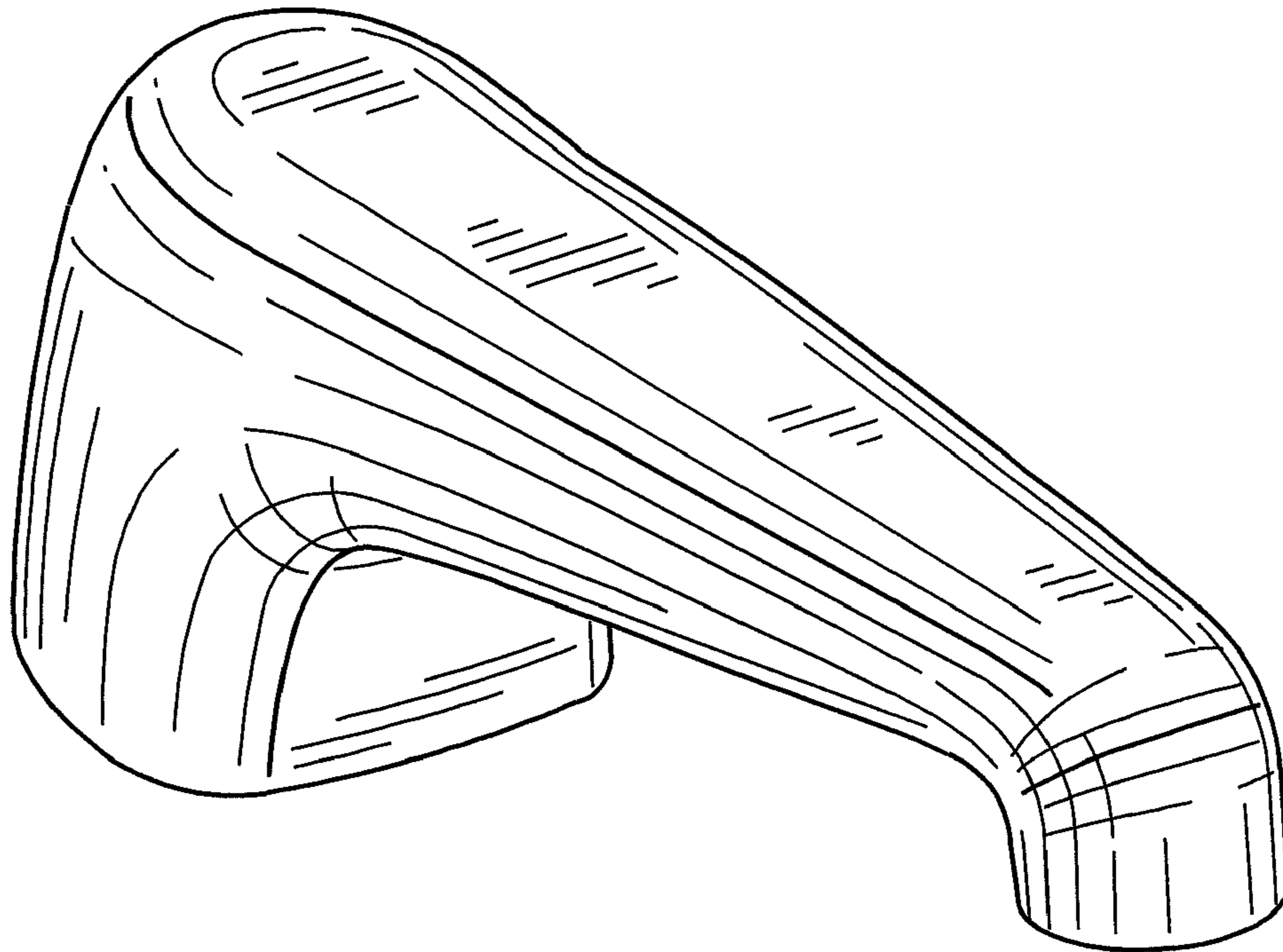
FIG. 5 is a left side elevational view thereof; and,

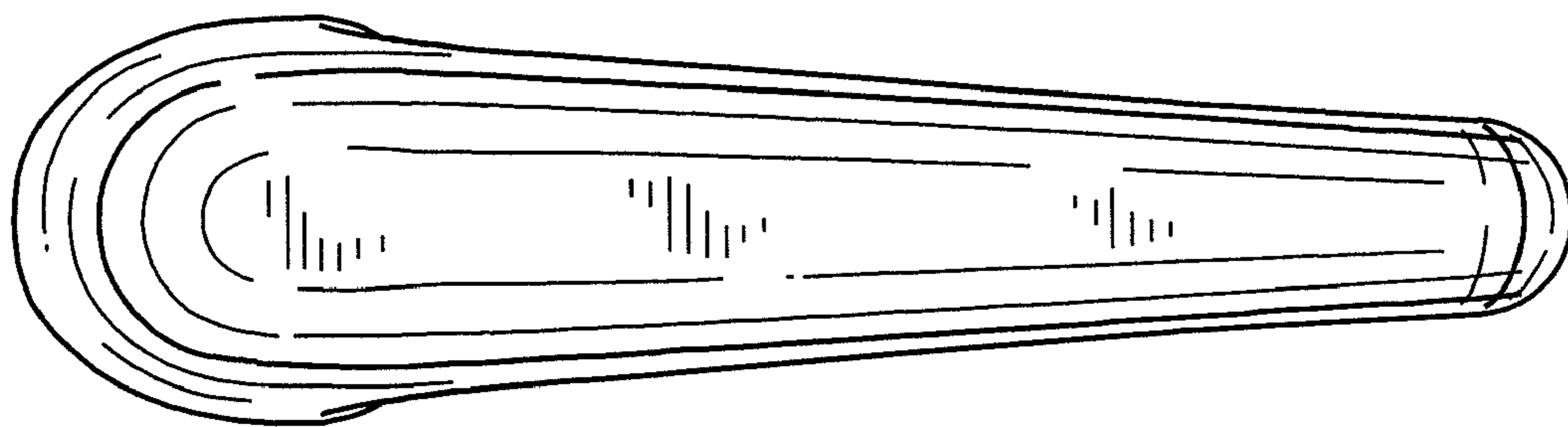
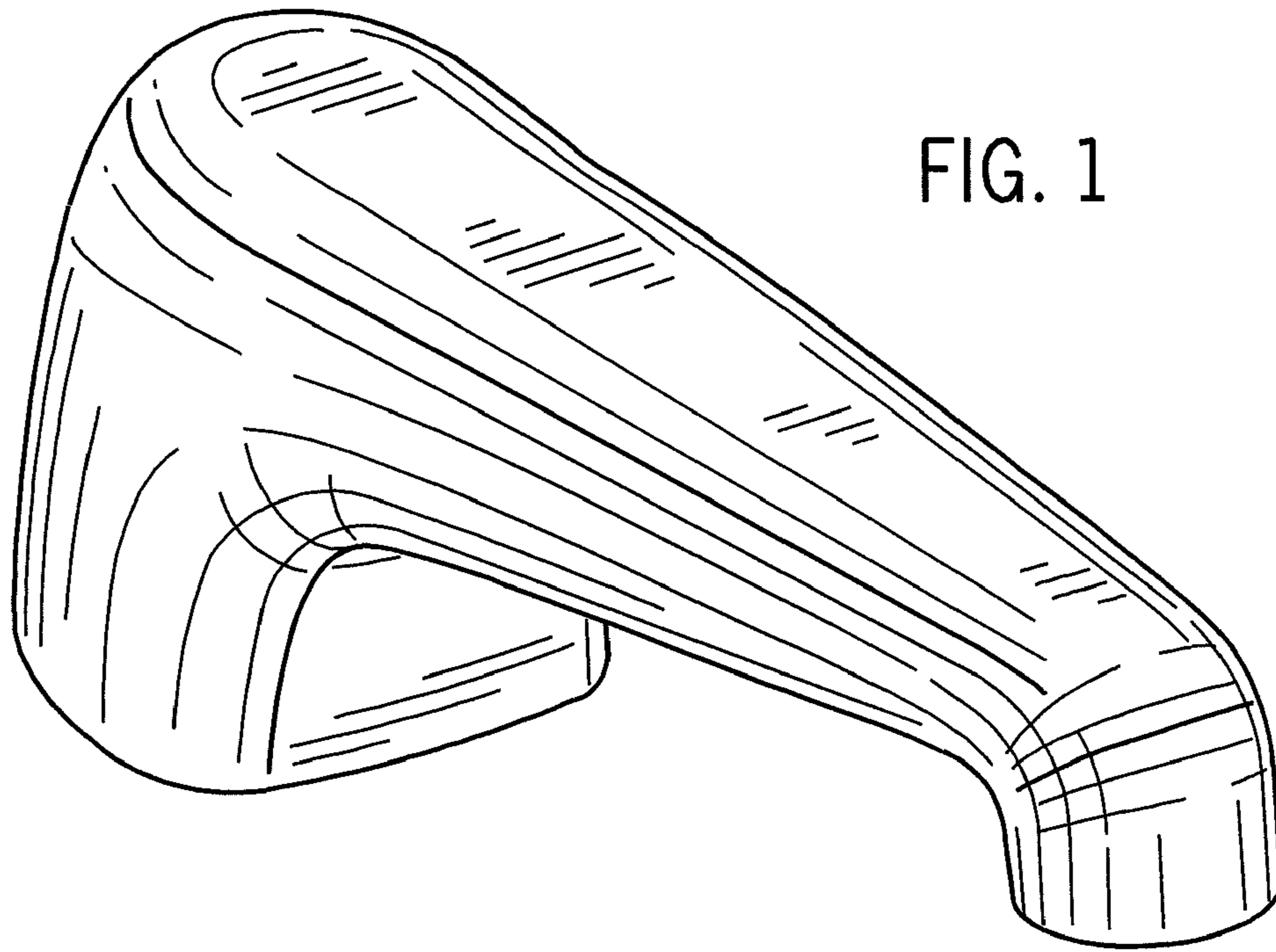
FIG. 6 is a bottom plan view thereof.

The broken lines in the drawings form no part of the claimed design.

* cited by examiner

1 Claim, 3 Drawing Sheets





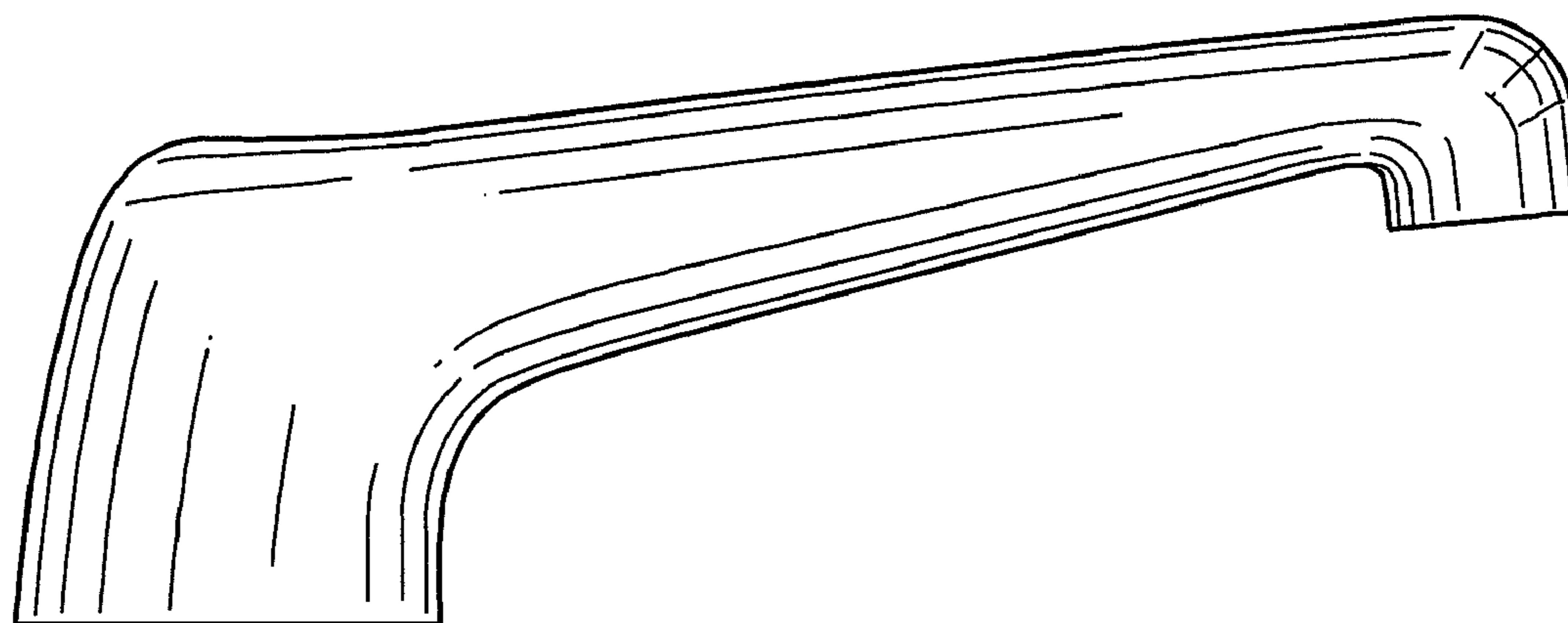


FIG. 3

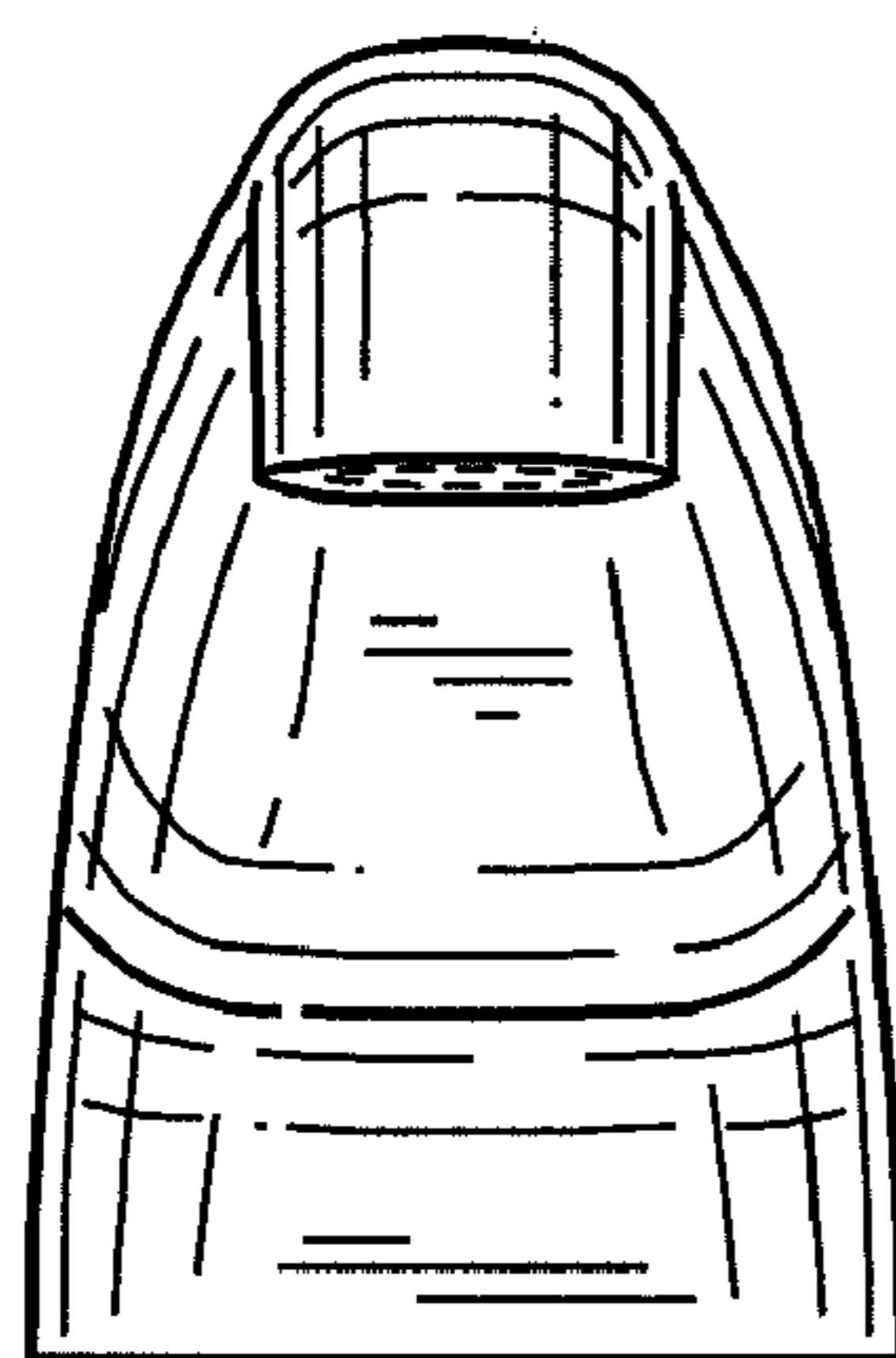


FIG. 4

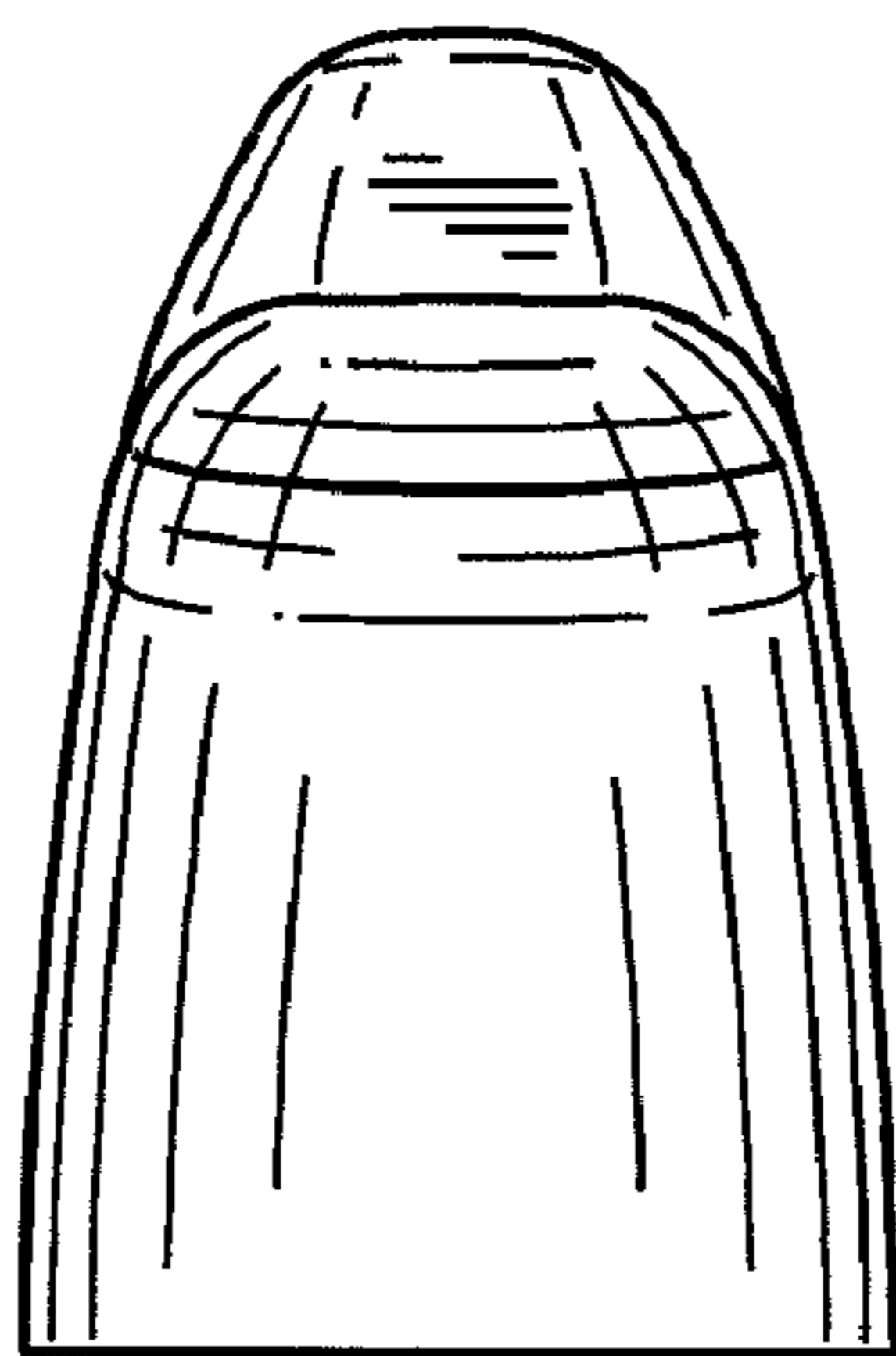


FIG. 5

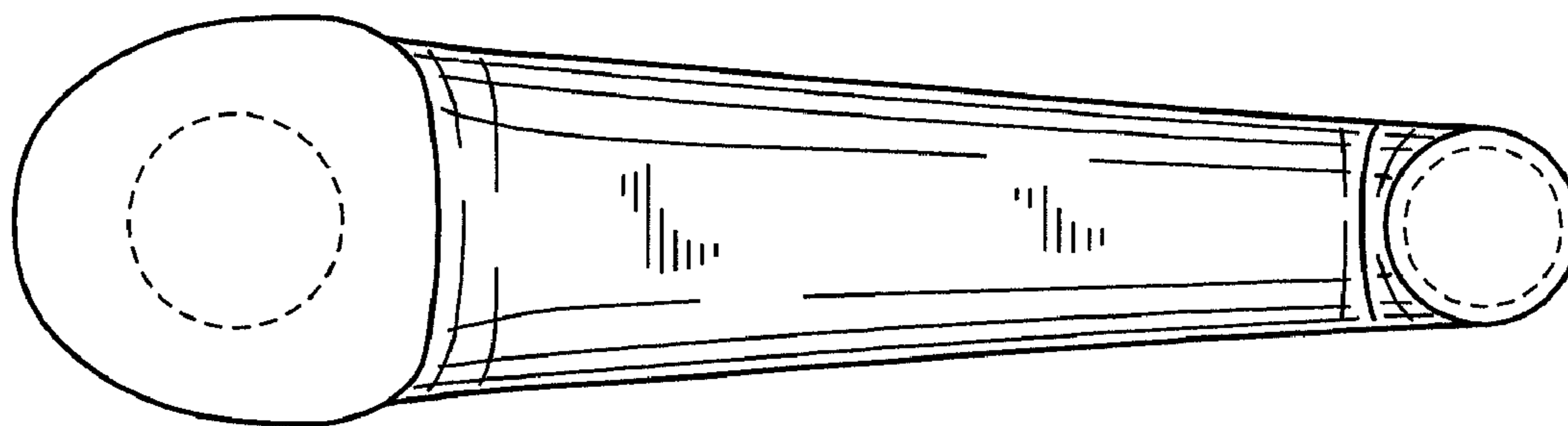


FIG. 6