



US00D640351S

(12) **United States Design Patent**
Romero

(10) **Patent No.:** **US D640,351 S**
(45) **Date of Patent:** **** Jun. 21, 2011**

(54) **FAUCET HANDLE**

(75) Inventor: **Emilie Williams Romero**, Chicago, IL
(US)

(73) Assignee: **Masco Corporation of Indiana**,
Indianapolis, IN (US)

(**) Term: **14 Years**

(21) Appl. No.: **29/383,158**

(22) Filed: **Jan. 13, 2011**

Related U.S. Application Data

(62) Division of application No. 29/362,184, filed on May 21, 2010, now Pat. No. Des. 631,135.

(51) **LOC (9) Cl.** **23-01**

(52) **U.S. Cl.** **D23/252**

(58) **Field of Classification Search** D23/238-243,
D23/250, 252, 254; 4/676; 137/801

See application file for complete search history.

(56) **References Cited**

U.S. PATENT DOCUMENTS

D509,568	S	*	9/2005	Blattner et al.	D23/252
D509,569	S	*	9/2005	Svendsen et al.	D23/252
D523,526	S	*	6/2006	Koury et al.	D23/252
D579,527	S	*	10/2008	Williams	D23/252

* cited by examiner

Primary Examiner — Robert A Delehanty
(74) *Attorney, Agent, or Firm* — Edgar A. Zarins; Nirav D. Psrikh

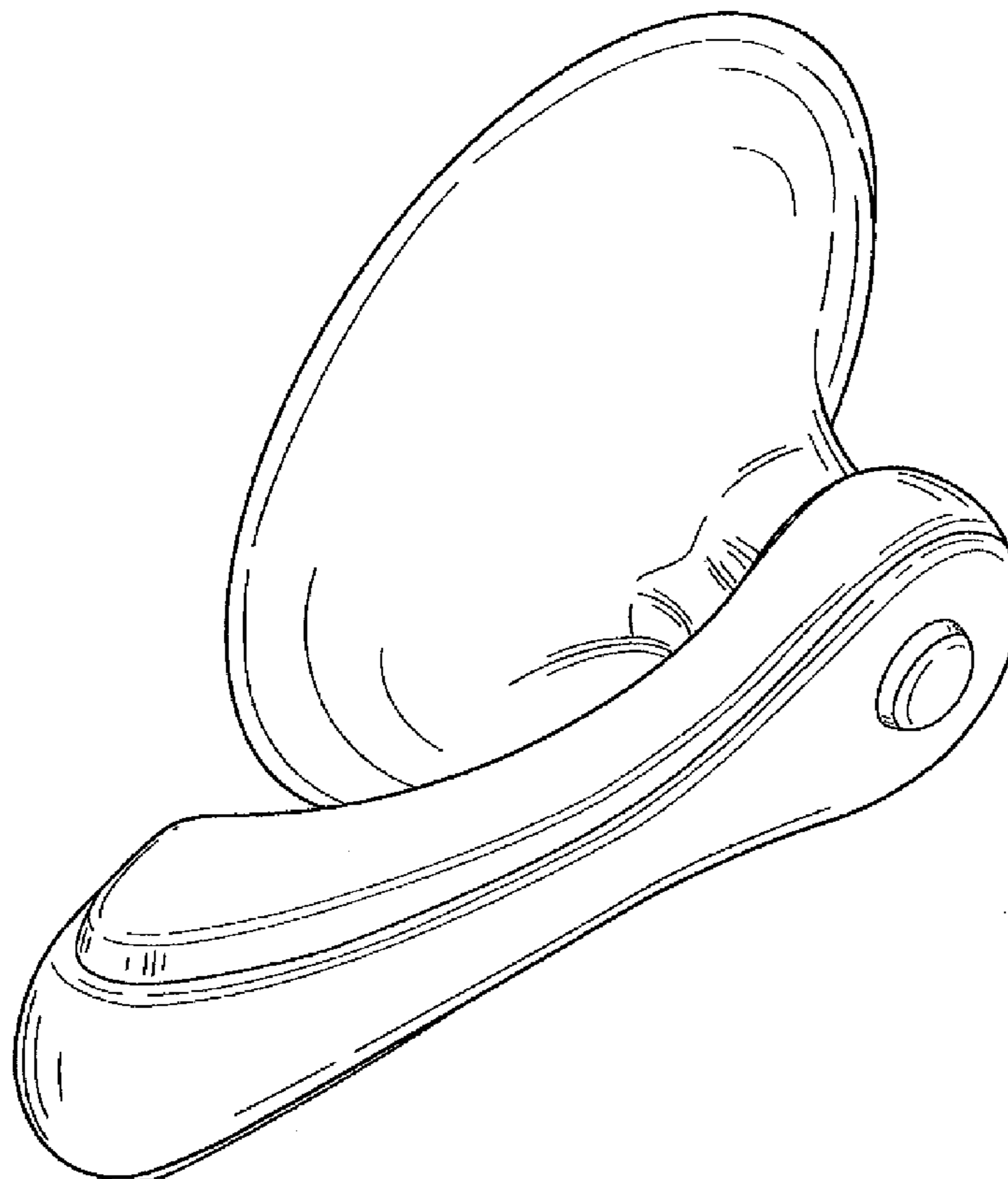
(57) **CLAIM**

The ornamental design for a faucet handle, as shown and described.

DESCRIPTION

FIG. 1 is a perspective view of a faucet handle showing my new design;
FIG. 2 is a front elevational view thereof;
FIG. 3 is a top plan view thereof;
FIG. 4 is a bottom plan view thereof;
FIG. 5 is a right end view thereof; and,
FIG. 6 is a left end view thereof.

1 Claim, 5 Drawing Sheets



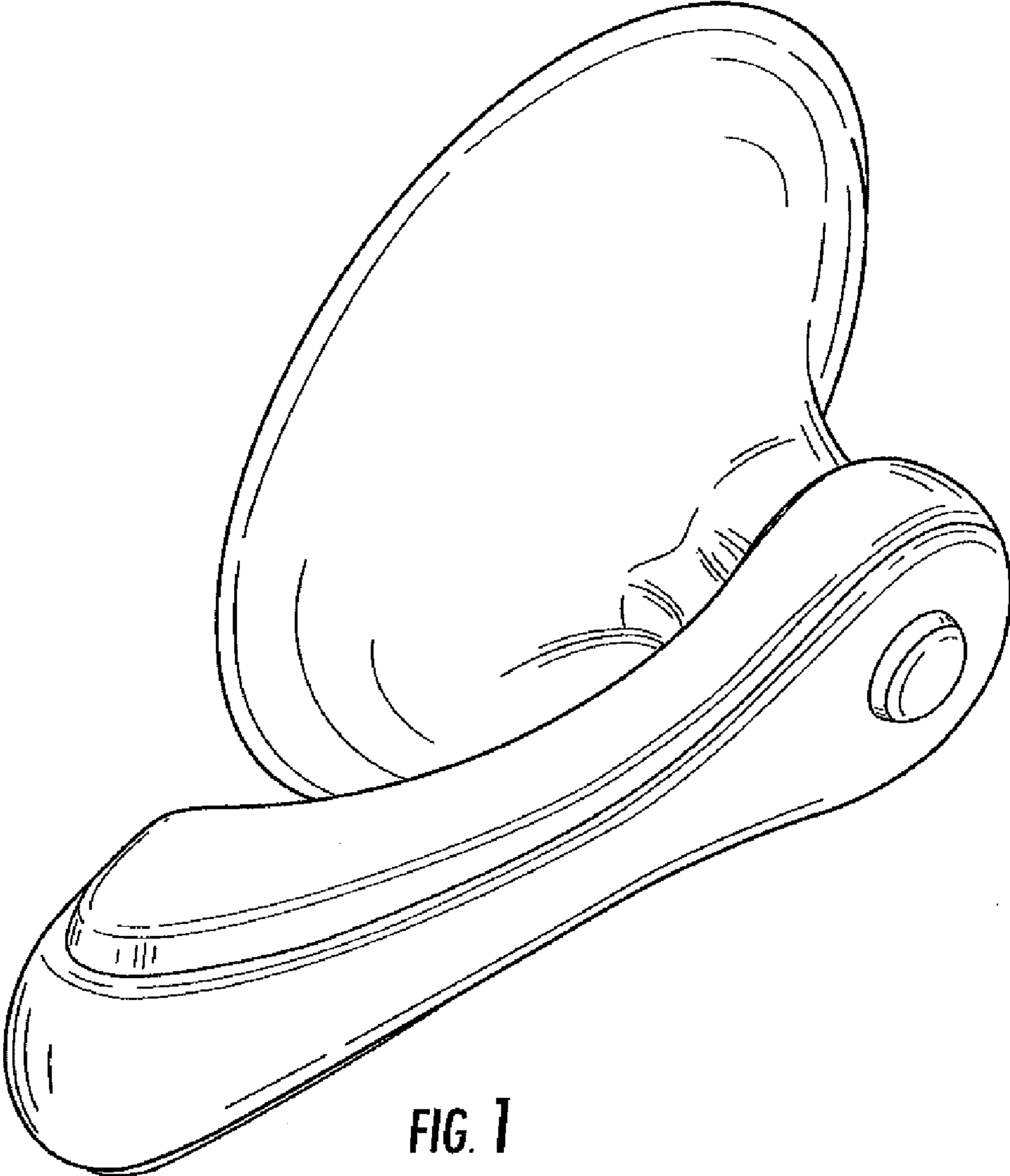


FIG. 1

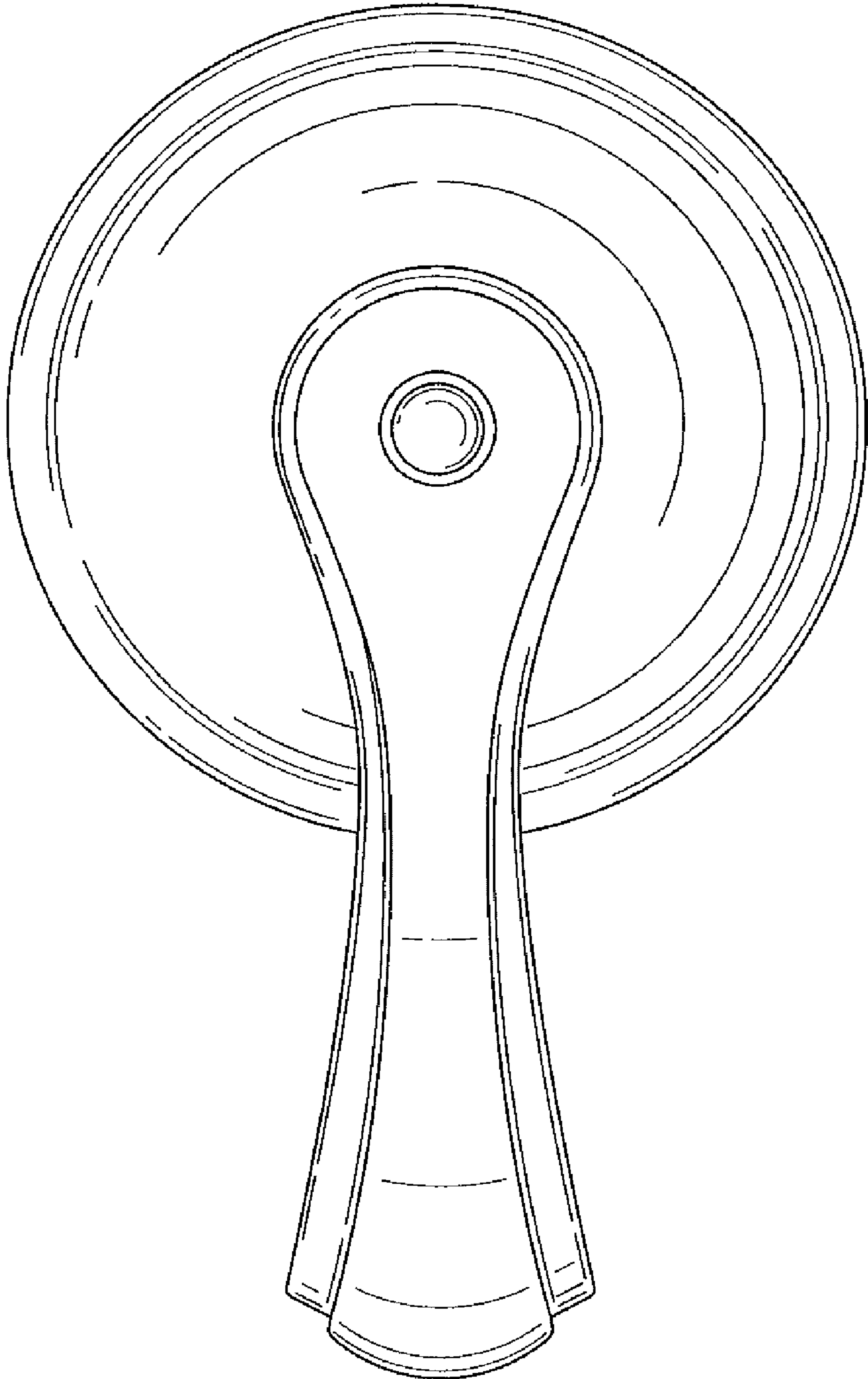


FIG. 2

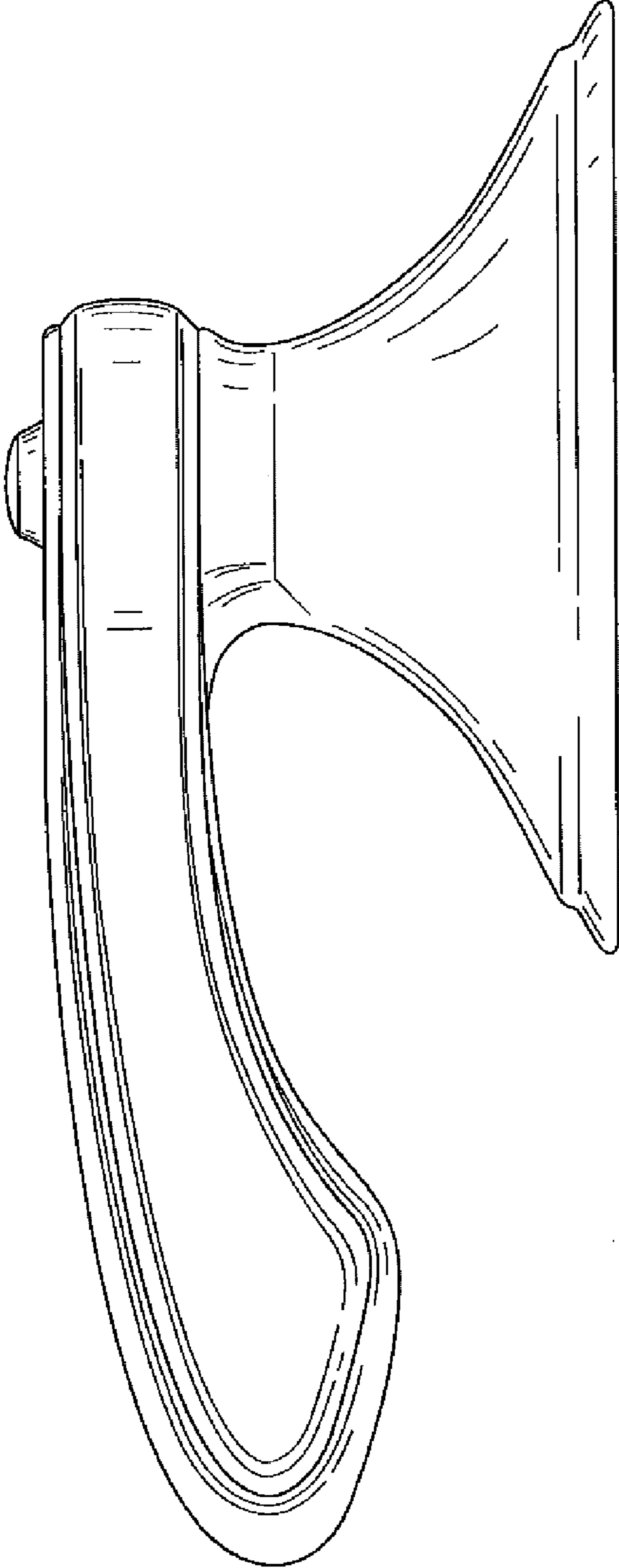


FIG. 3

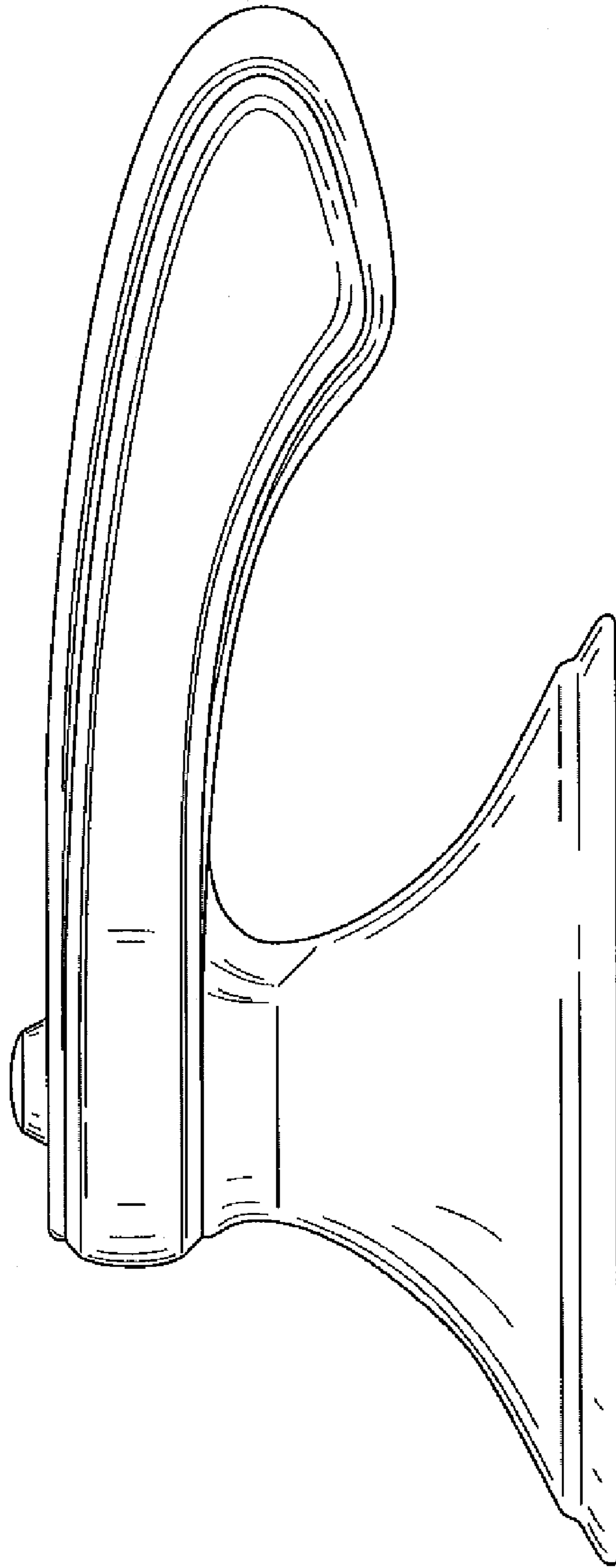


FIG. 4

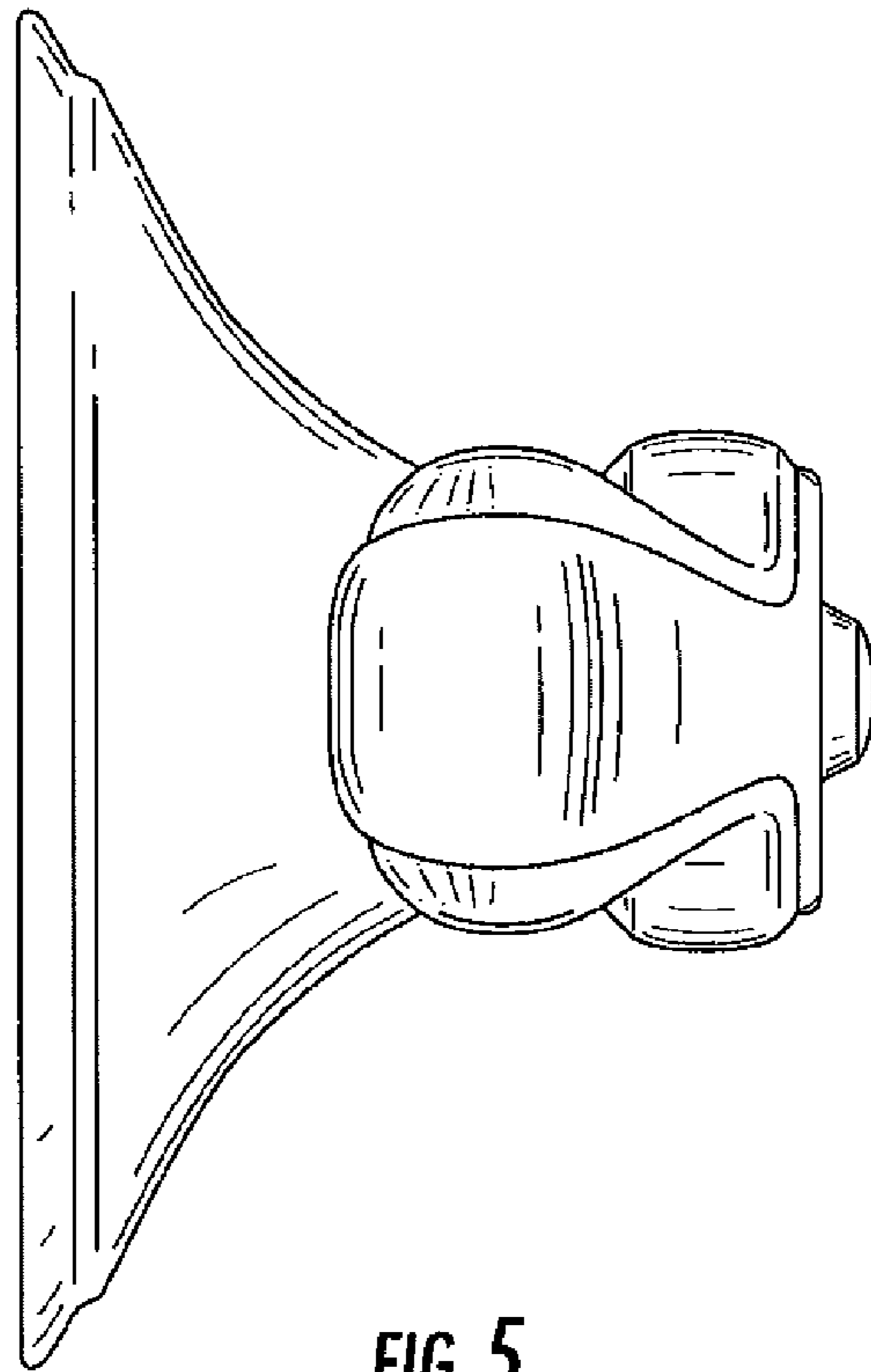


FIG. 5

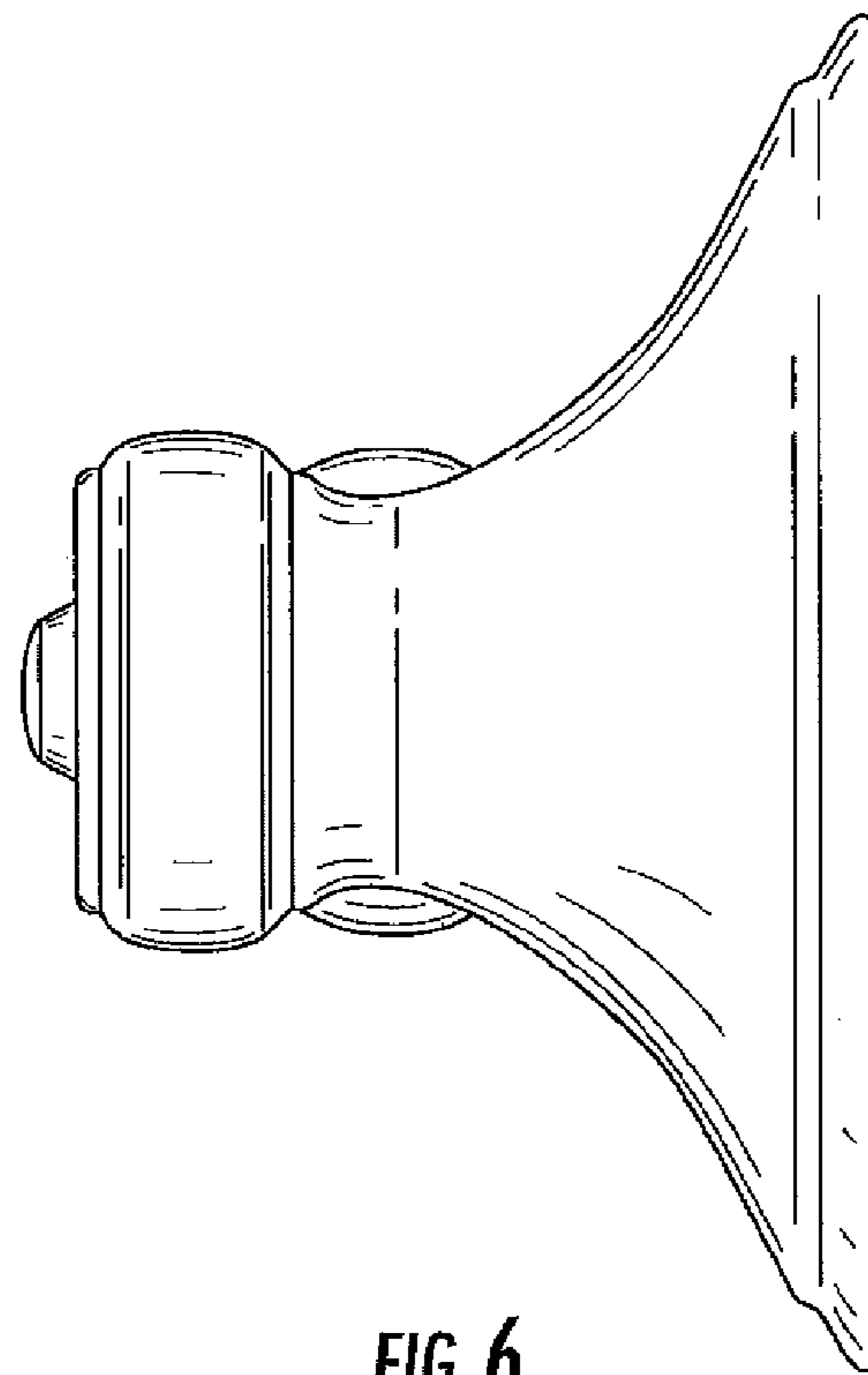


FIG. 6