



US00D640349S

(12) **United States Design Patent**
Swain et al.

(10) **Patent No.:** **US D640,349 S**
(45) **Date of Patent:** **** Jun. 21, 2011**

(54) **DOSING ASSEMBLY**
(75) Inventors: **Andrew Swain**, Nottinghamshire (GB);
Martin Cooper, Leicester (GB);
Michael H. Bertucci, Gurnee, IL (US);
Garry W. Crossdale, Derbyshire (GB)

5,259,557 A 11/1993 Spriggs et al.
D358,865 S 5/1995 Englhard et al.
D378,493 S 3/1997 Subbaraman et al.
5,996,907 A 12/1999 Toetschinger et al.

(Continued)

(73) Assignee: **Diversey, Inc.**, Sturtevant, WI (US)

(**) Term: **14 Years**

(21) Appl. No.: **29/383,674**

(22) Filed: **Jan. 20, 2011**

Related U.S. Application Data

(62) Division of application No. 29/324,174, filed on Sep. 8, 2008, now Pat. No. Des. 633,175.

(51) **LOC (9) Cl.** **23-01**

(52) **U.S. Cl.** **D23/225; D9/527**

(58) **Field of Classification Search** D23/213,
D23/225; 239/332-333, 308-310; D9/516,
D9/523, 527

See application file for complete search history.

(56) **References Cited**

U.S. PATENT DOCUMENTS

1,721,726 A 7/1929 Boe
D100,375 S 7/1936 Jepson
2,788,244 A 4/1957 Gilmour
2,991,939 A 7/1961 Packard
3,145,735 A 8/1964 Osrow et al.
3,412,937 A 11/1968 Chamberlain
3,863,843 A 2/1975 Hechler, Iv
3,964,689 A 6/1976 Horvath, Jr.
4,475,689 A 10/1984 Hauger et al.
D295,214 S 4/1988 Miller
D296,813 S 7/1988 Ellison
D302,201 S 7/1989 Hengesbach
D305,452 S 1/1990 Morgan
4,901,923 A 2/1990 McRoskey et al.
D307,463 S 4/1990 Fushiya et al.
4,969,603 A 11/1990 Norman

OTHER PUBLICATIONS

J-Fill Portable Brochure, from S.C. Johnson Commercial Markets, Inc., dated 2000.

Primary Examiner — Robin V Webster

(74) *Attorney, Agent, or Firm* — Gregory S. Bollis

(57) **CLAIM**

We claim the ornamental design for a dosing assembly, as shown and described.

DESCRIPTION

FIG. 1 is a perspective view of a dosing assembly embodying aspects of the invention.

FIG. 2 is a side view of the dosing assembly shown in FIG. 1.

FIG. 3 is a front view of the dosing assembly shown in FIG. 1.

FIG. 4 is a side view of the dosing assembly shown in FIG. 1.

FIG. 5 is a rear view of the dosing assembly shown in FIG. 1.

FIG. 6 is a top view of the dosing assembly shown in FIG. 1.

FIG. 7 is a bottom view of the dosing assembly shown in FIG. 1.

FIG. 8 is a side view of a dosing assembly embodying aspects of the invention coupled to a larger bottle than shown in FIGS. 1-7.

FIG. 9 is a front view of the dosing assembly shown in FIG. 8.

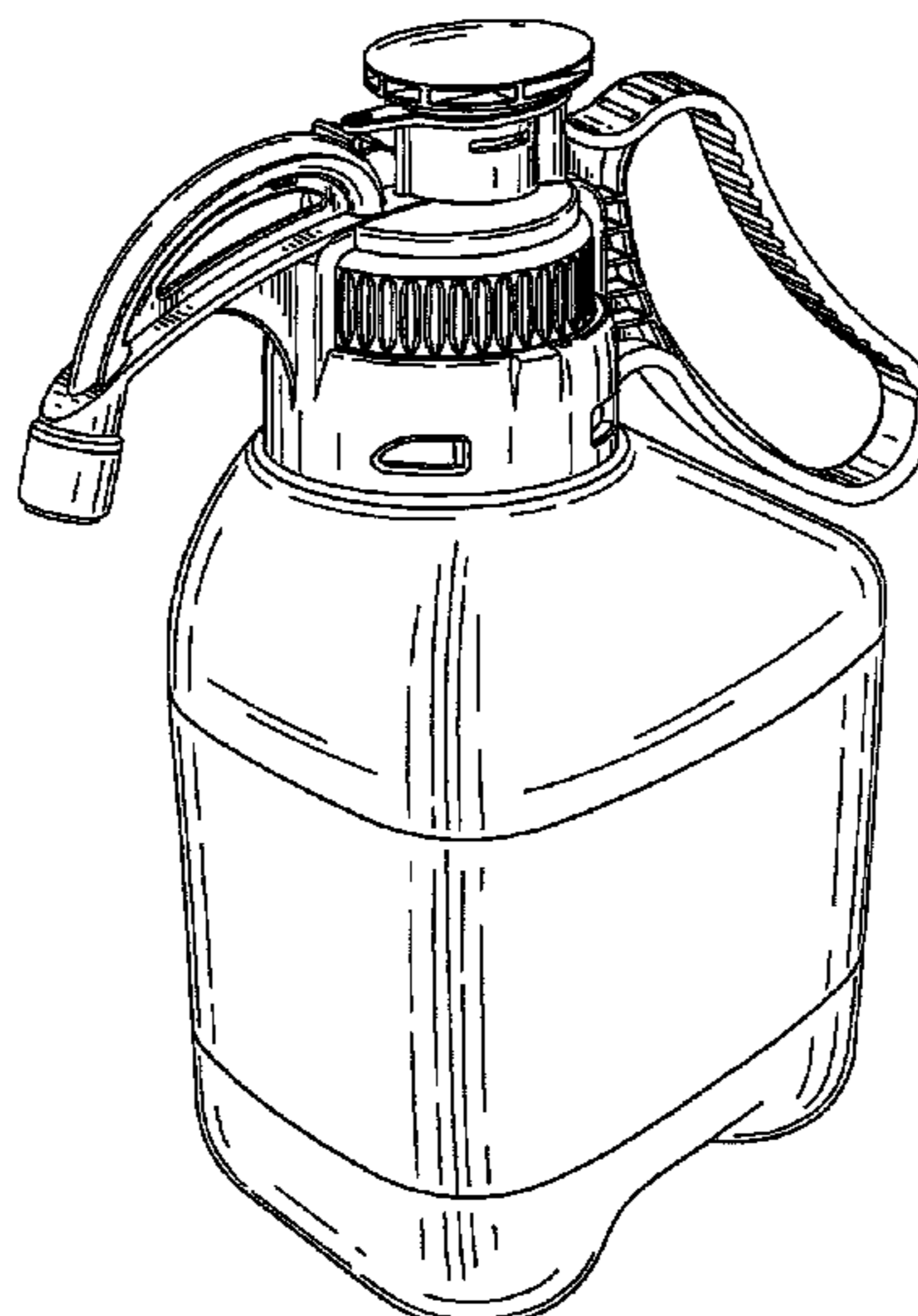
FIG. 10 is a side view of the dosing assembly shown in FIG. 8.

FIG. 11 is a rear view of the dosing assembly shown in FIG. 8.

FIG. 12 is a top view of the dosing assembly shown in FIG. 8; and,

FIG. 13 is a bottom view of the dosing assembly shown in FIG. 8.

1 Claim, 13 Drawing Sheets



US D640,349 S

Page 2

U.S. PATENT DOCUMENTS

| | | | | | | |
|--------------|---------|---------------------|--------------|---------|----------------------|--------|
| D432,208 S | 10/2000 | Beaver et al. | D484,946 S | 1/2004 | Hubmann et al. | |
| D432,372 S | 10/2000 | Iaciofano et al. | D496,278 S * | 9/2004 | Bertucci et al. | D9/523 |
| 6,158,673 A | 12/2000 | Toetschinger et al. | D514,447 S * | 2/2006 | Bertucci et al. | D9/523 |
| 6,182,911 B1 | 2/2001 | Hanks et al. | D543,607 S | 5/2007 | Meyhoefer | |
| D445,872 S | 7/2001 | Ketcham et al. | D568,441 S | 5/2008 | Ballu | |
| D446,584 S | 8/2001 | Chen | D602,366 S * | 10/2009 | Restive et al. | D9/523 |
| D480,124 S | 9/2003 | Hubmann et al. | | | | |

* cited by examiner

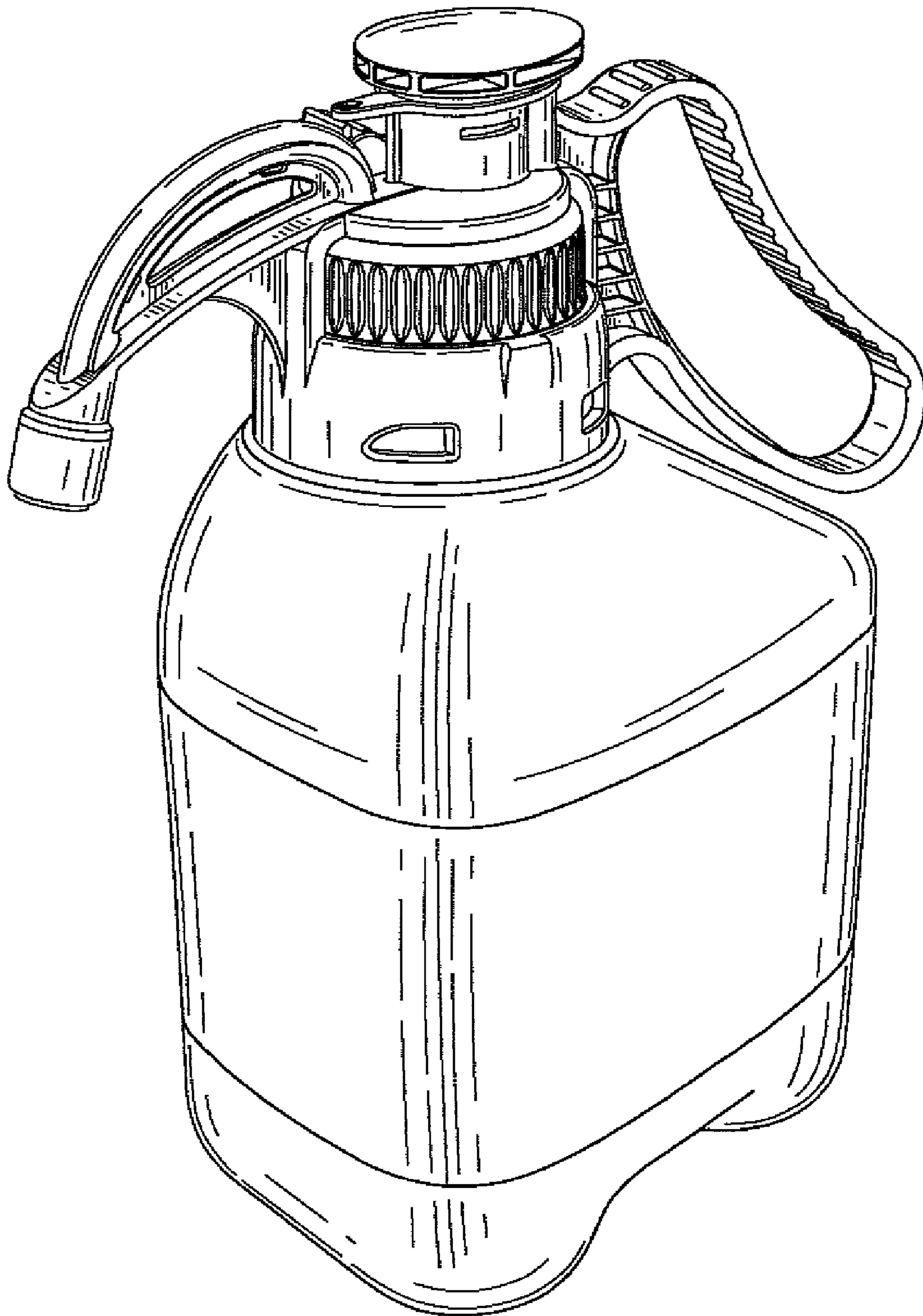


FIG. 1

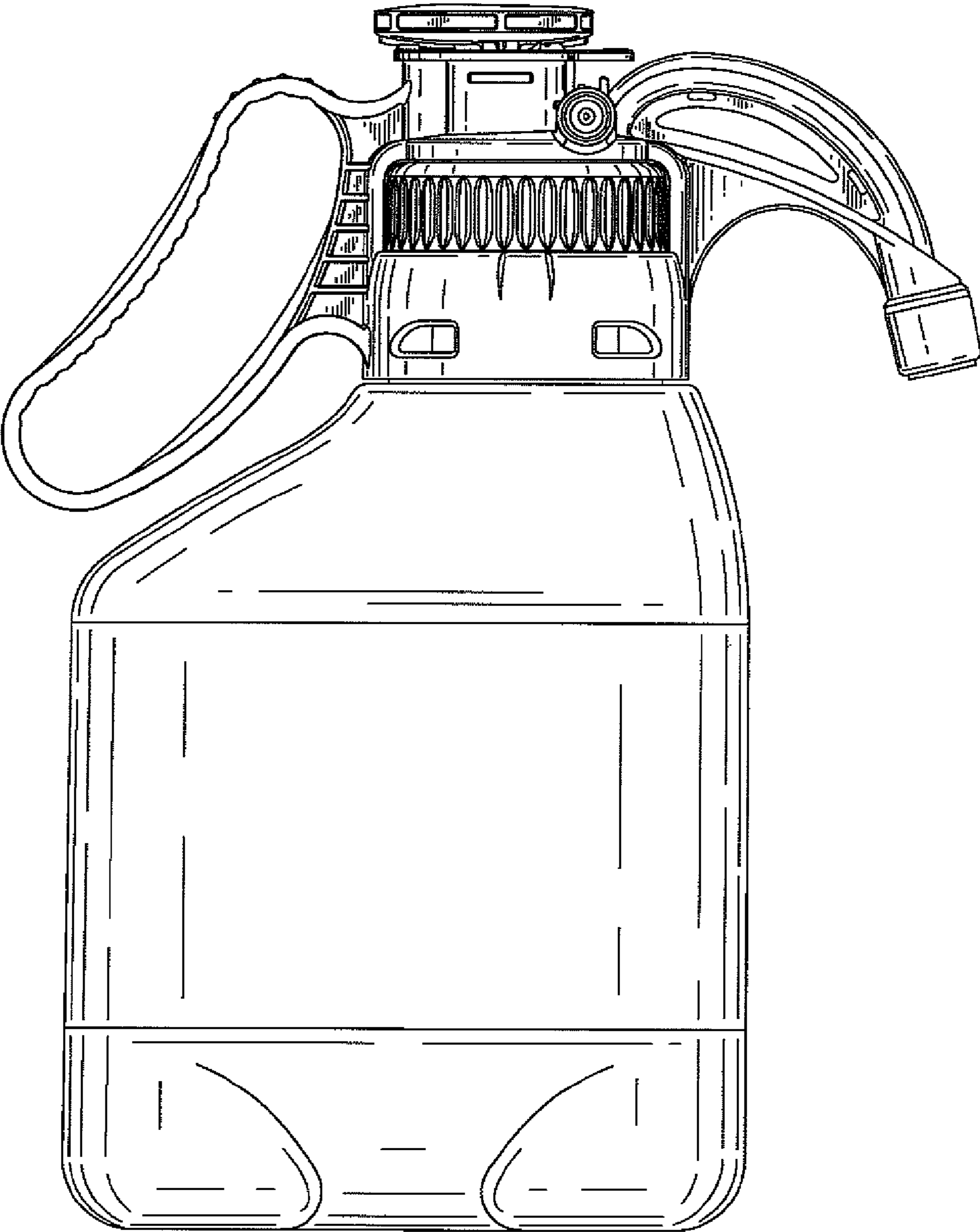


FIG. 2

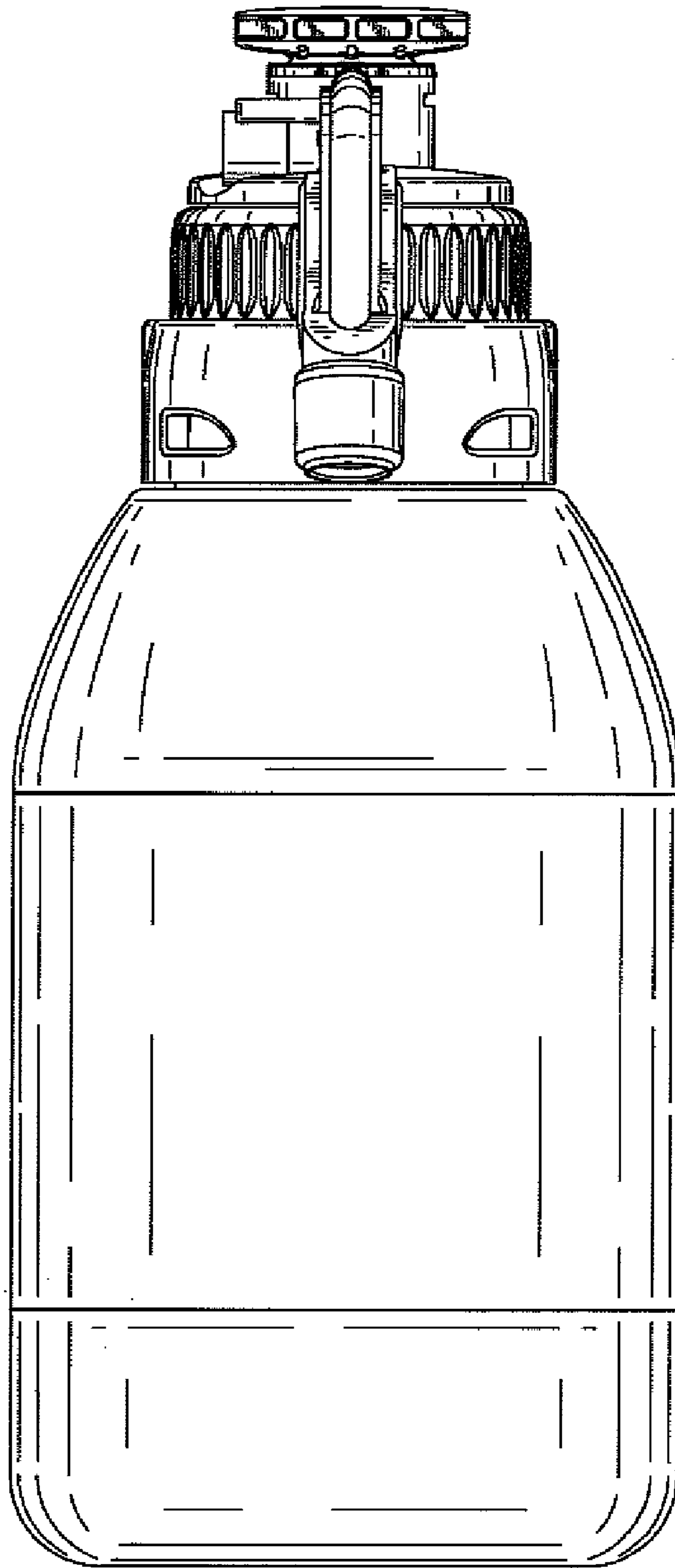


FIG. 3

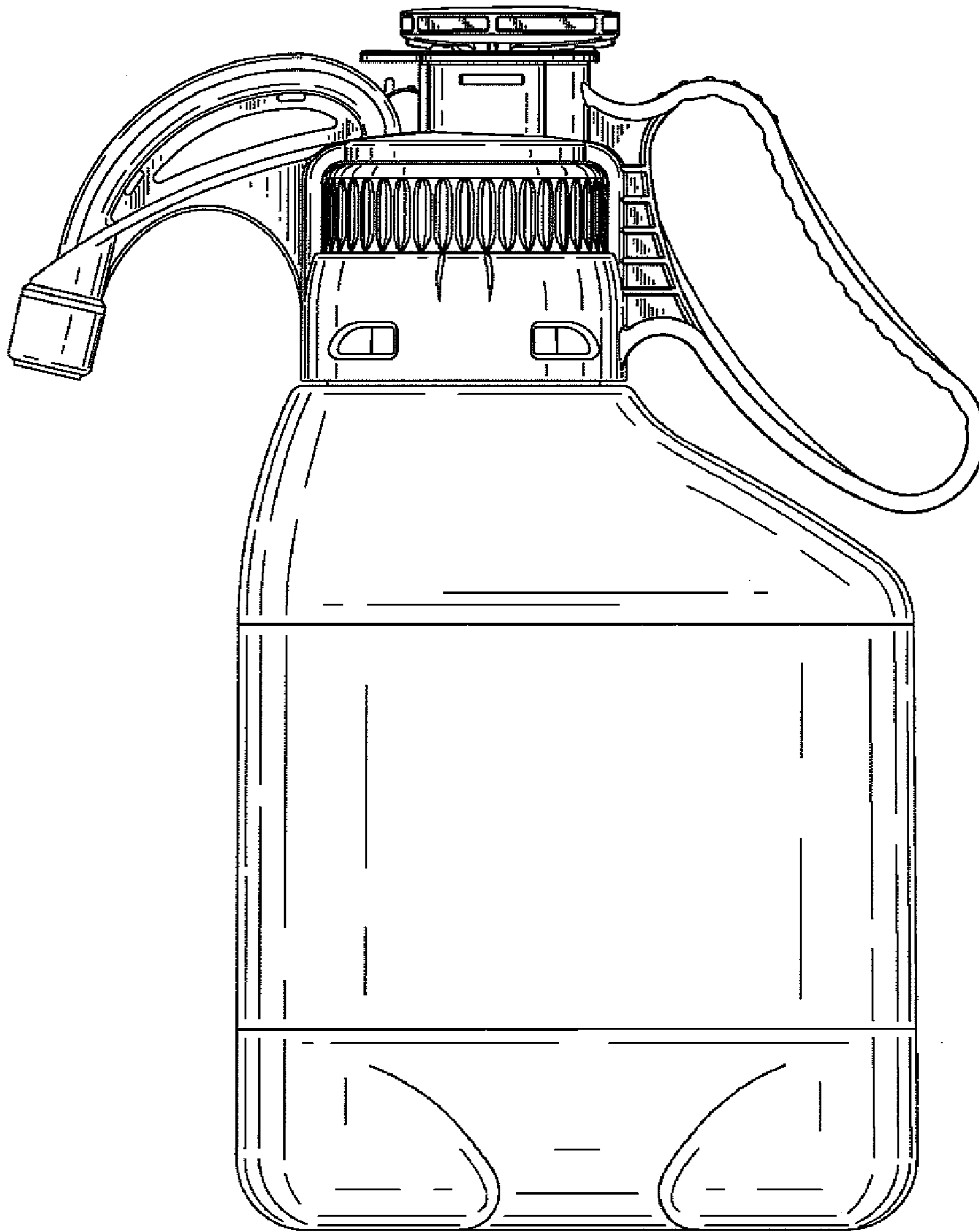


FIG. 4

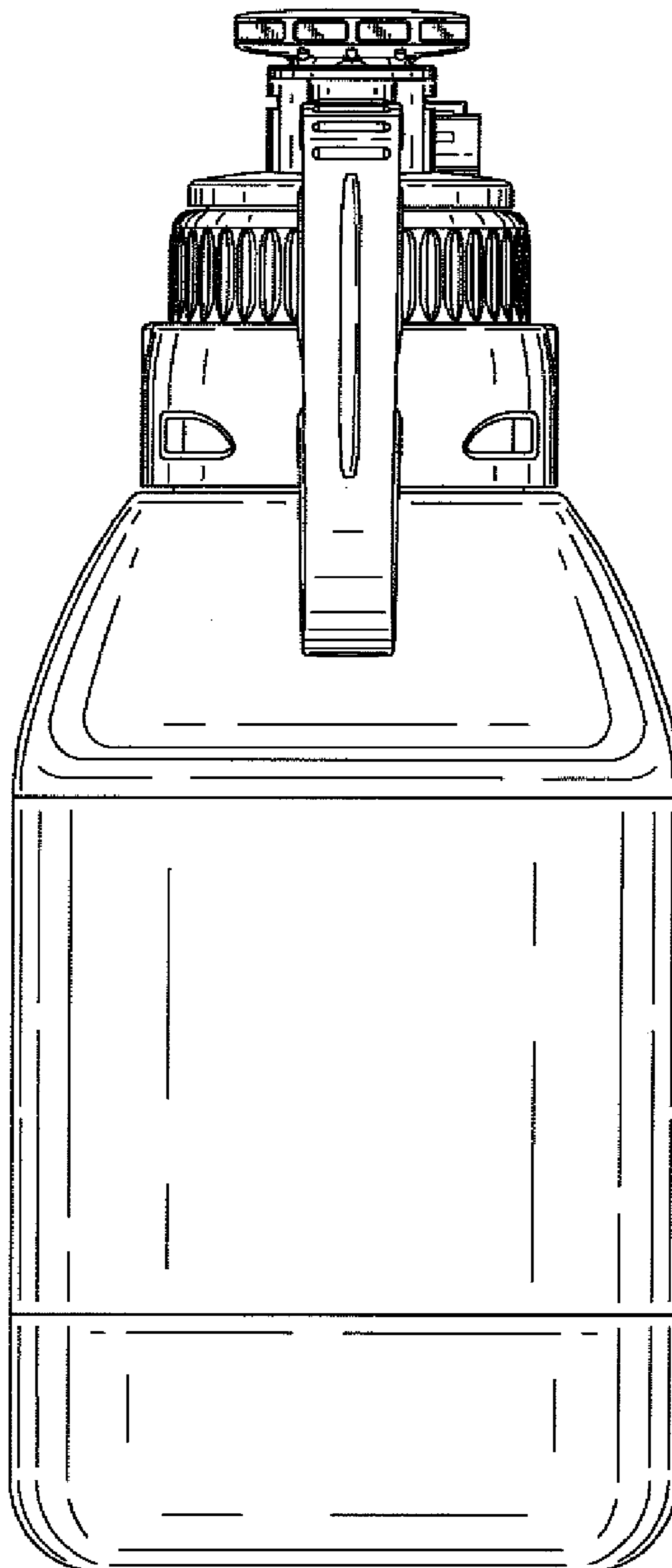


FIG. 5

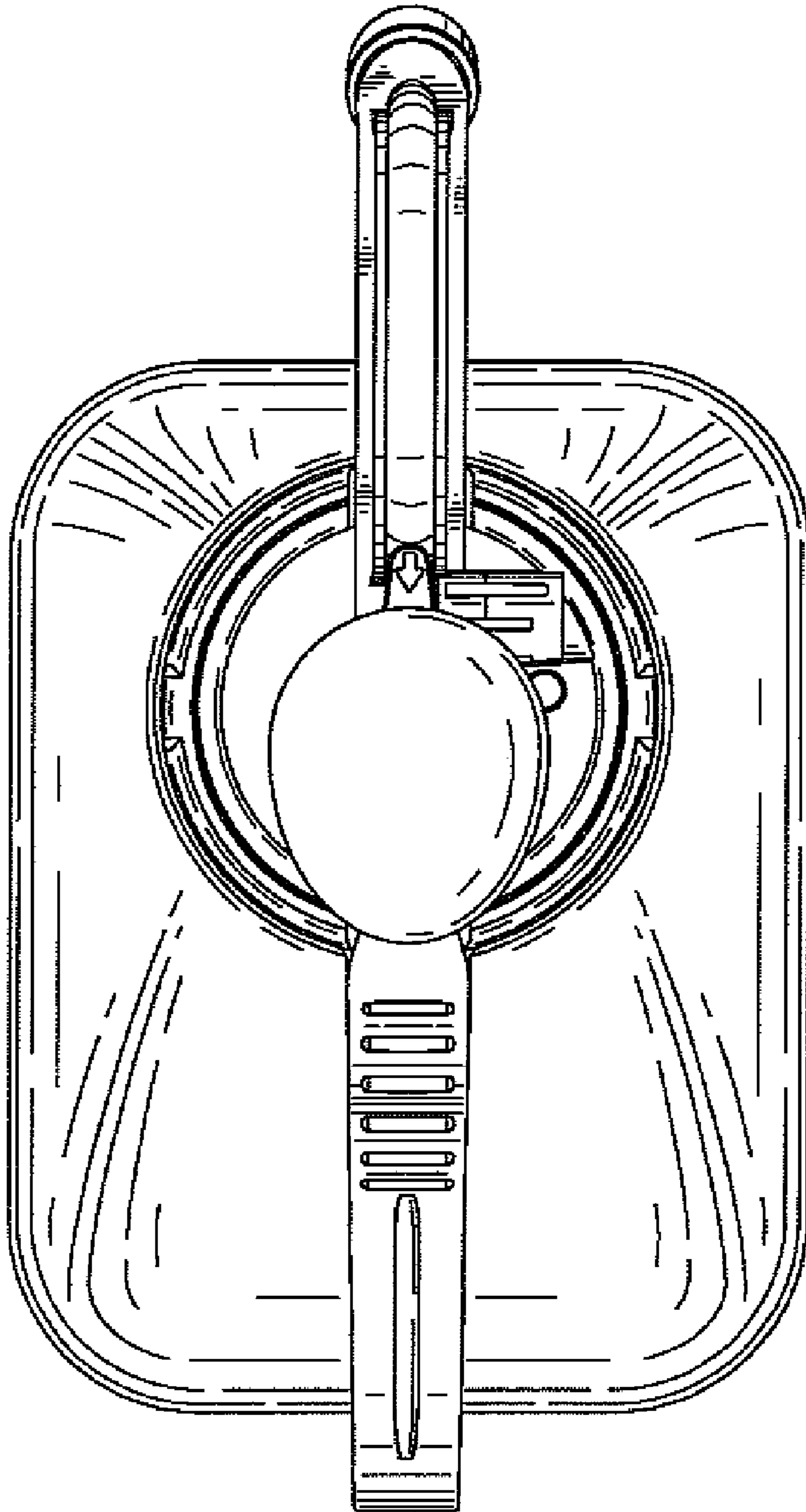


FIG. 6

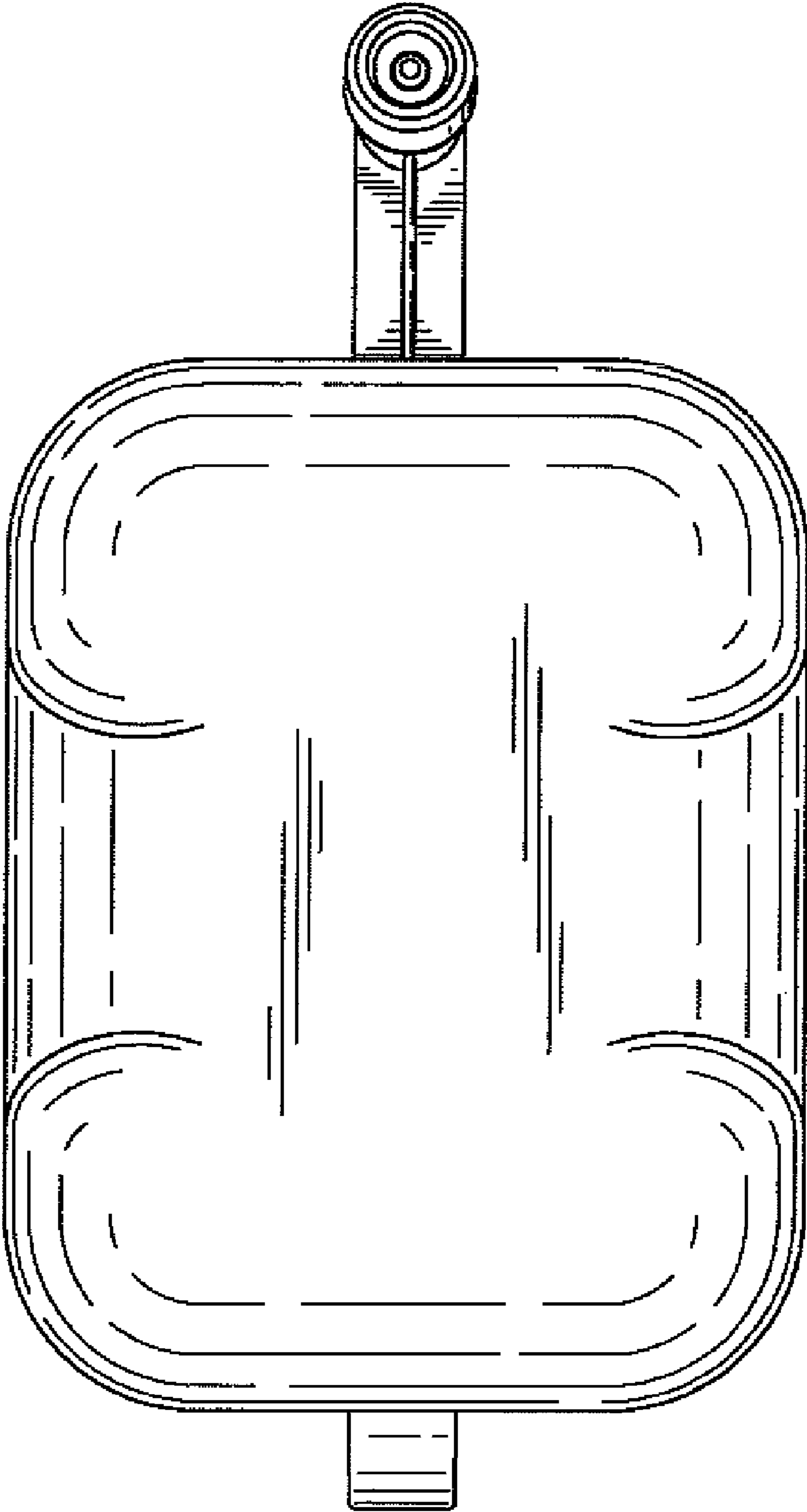


FIG. 7

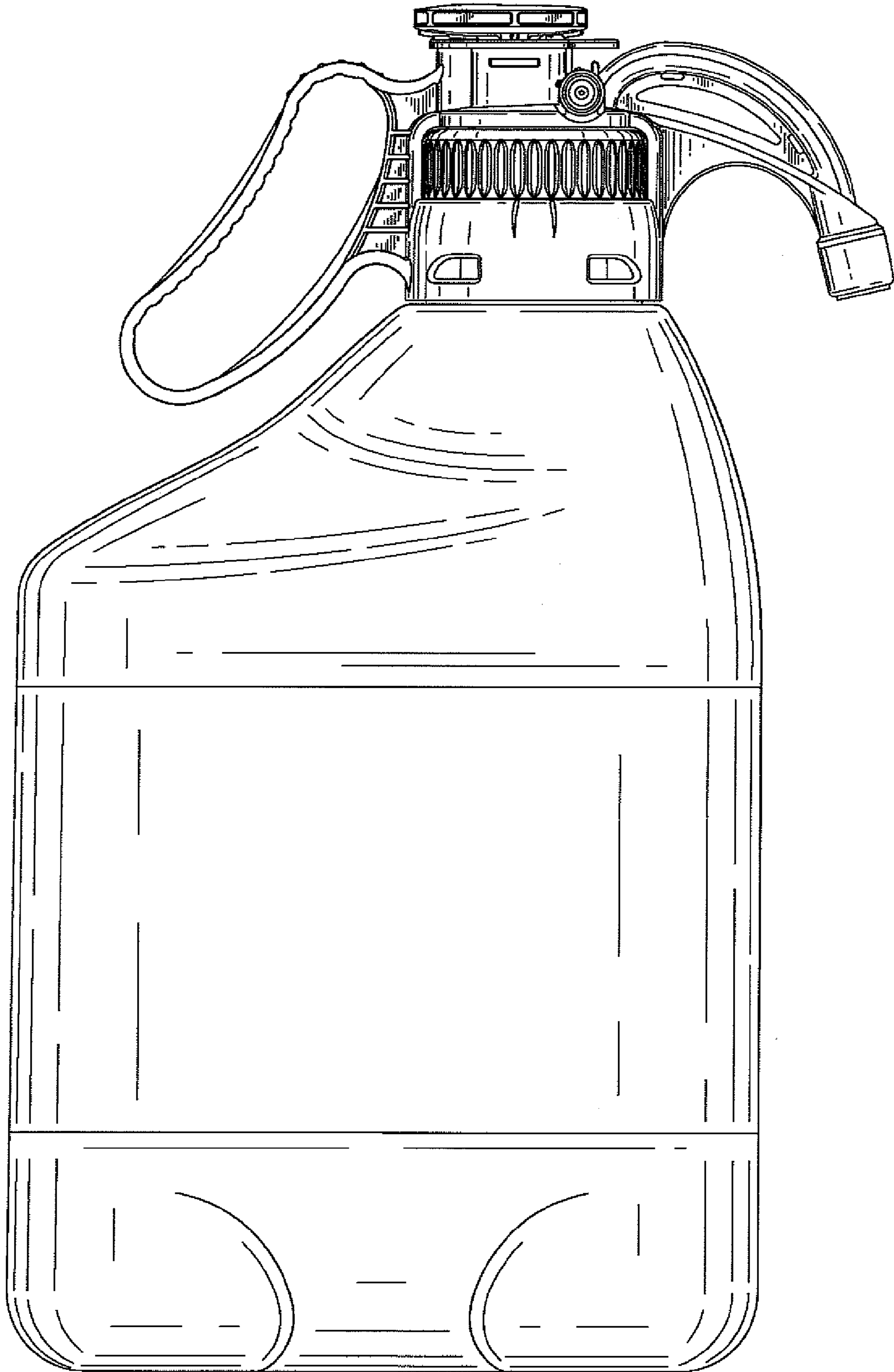


FIG. 8

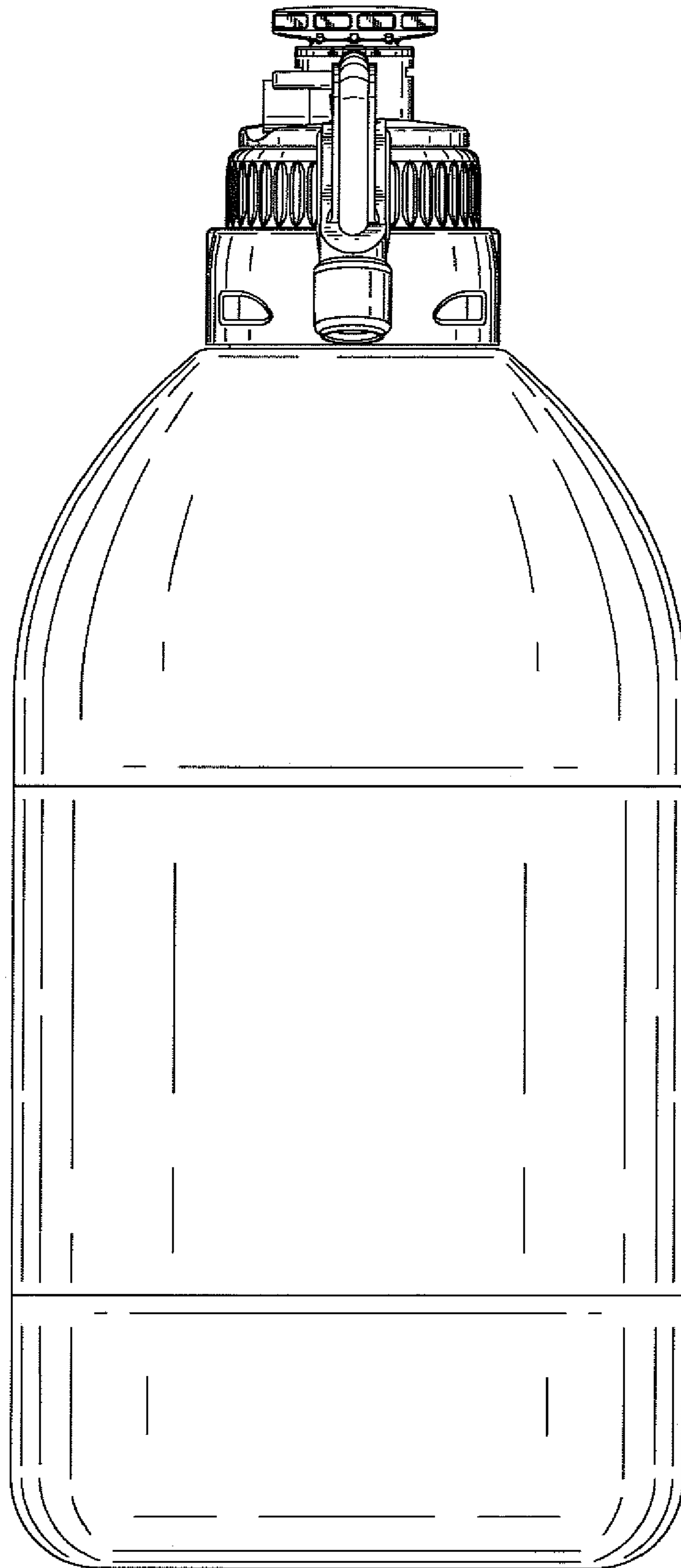


FIG. 9

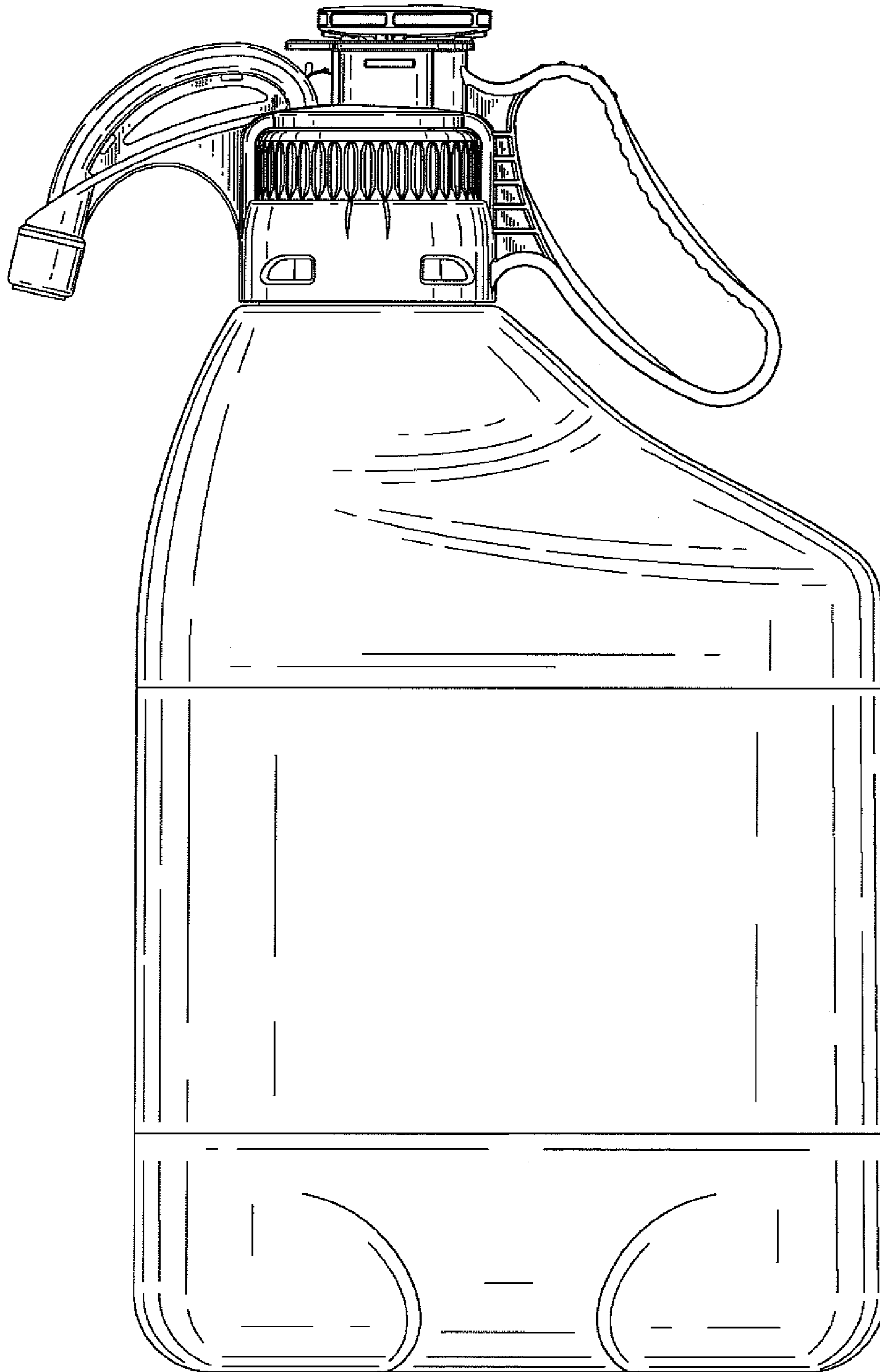


FIG. 10

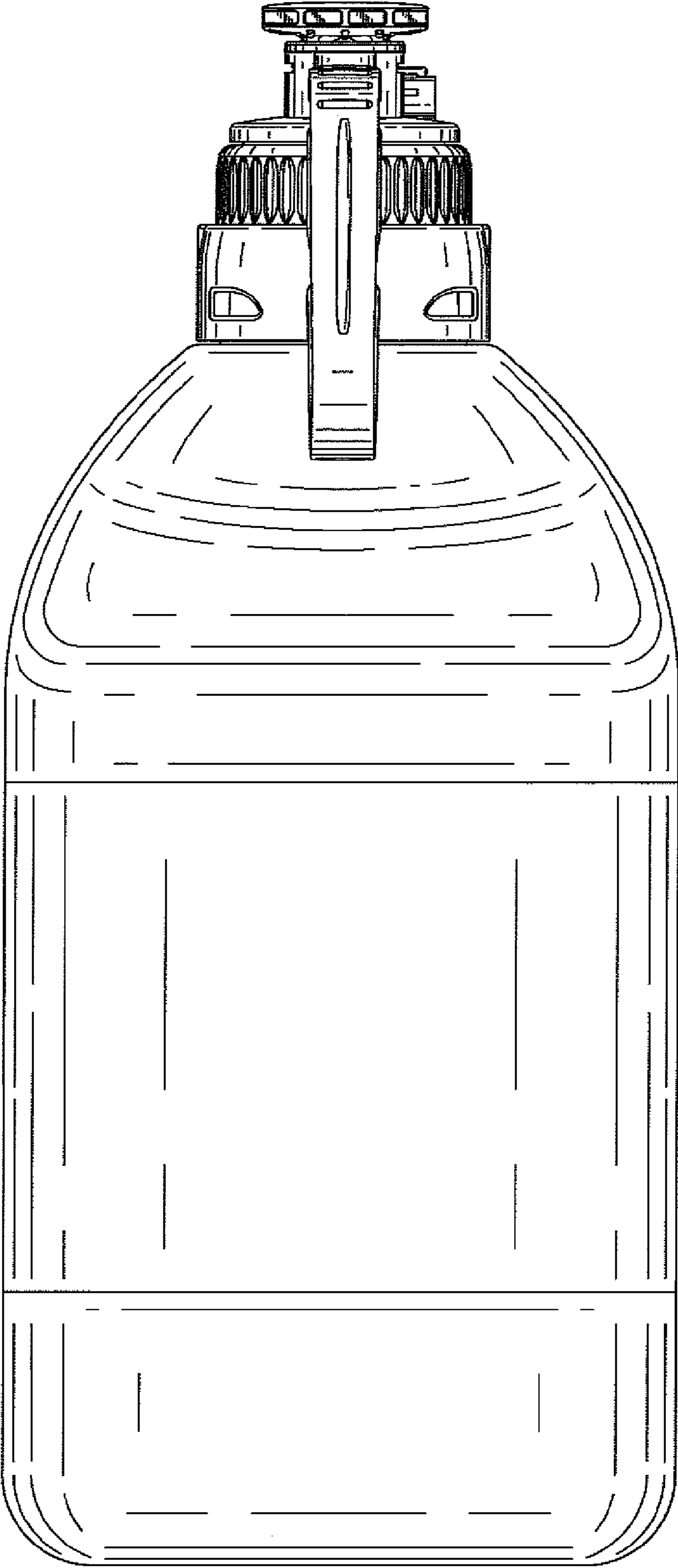


FIG. 11

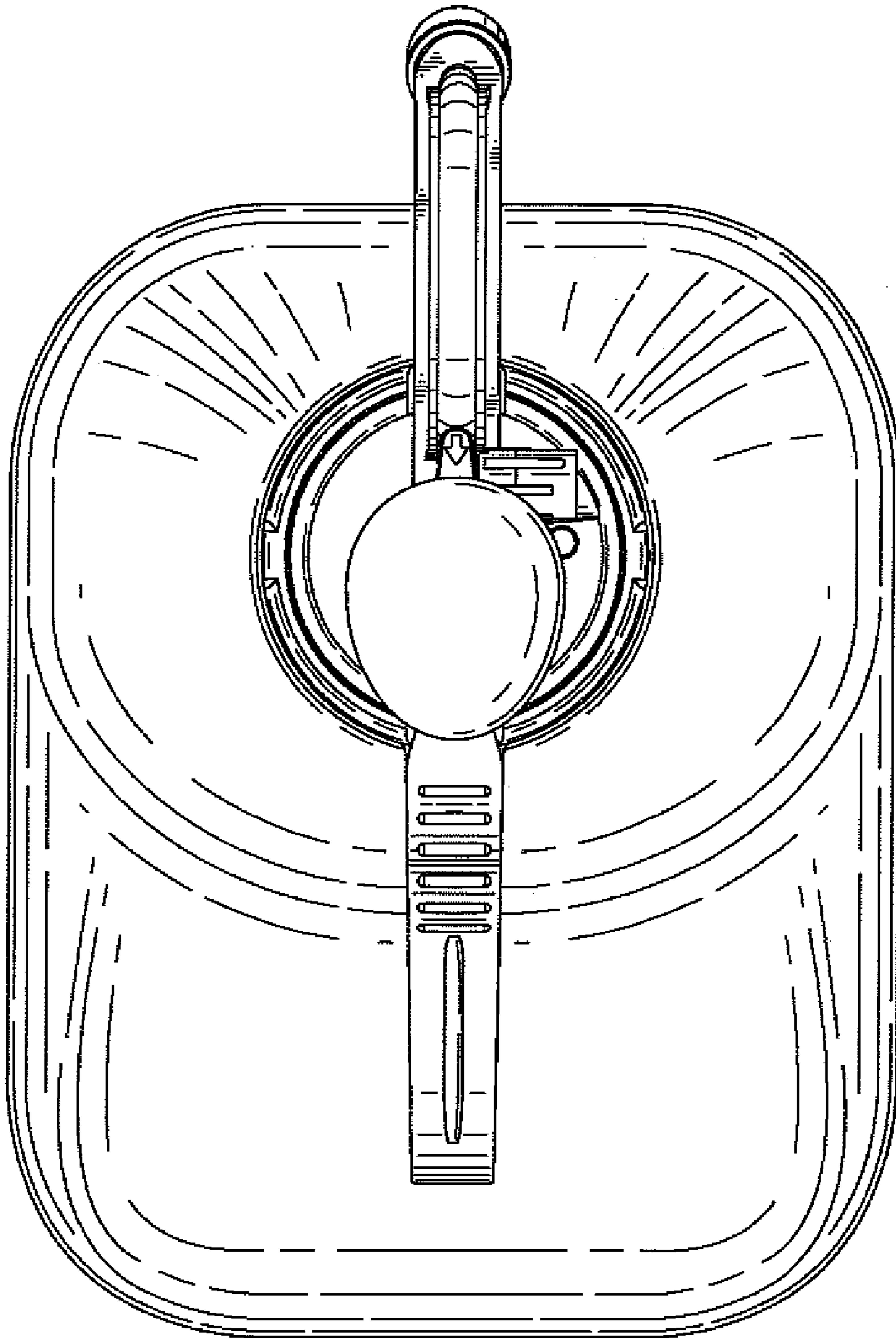


FIG. 12

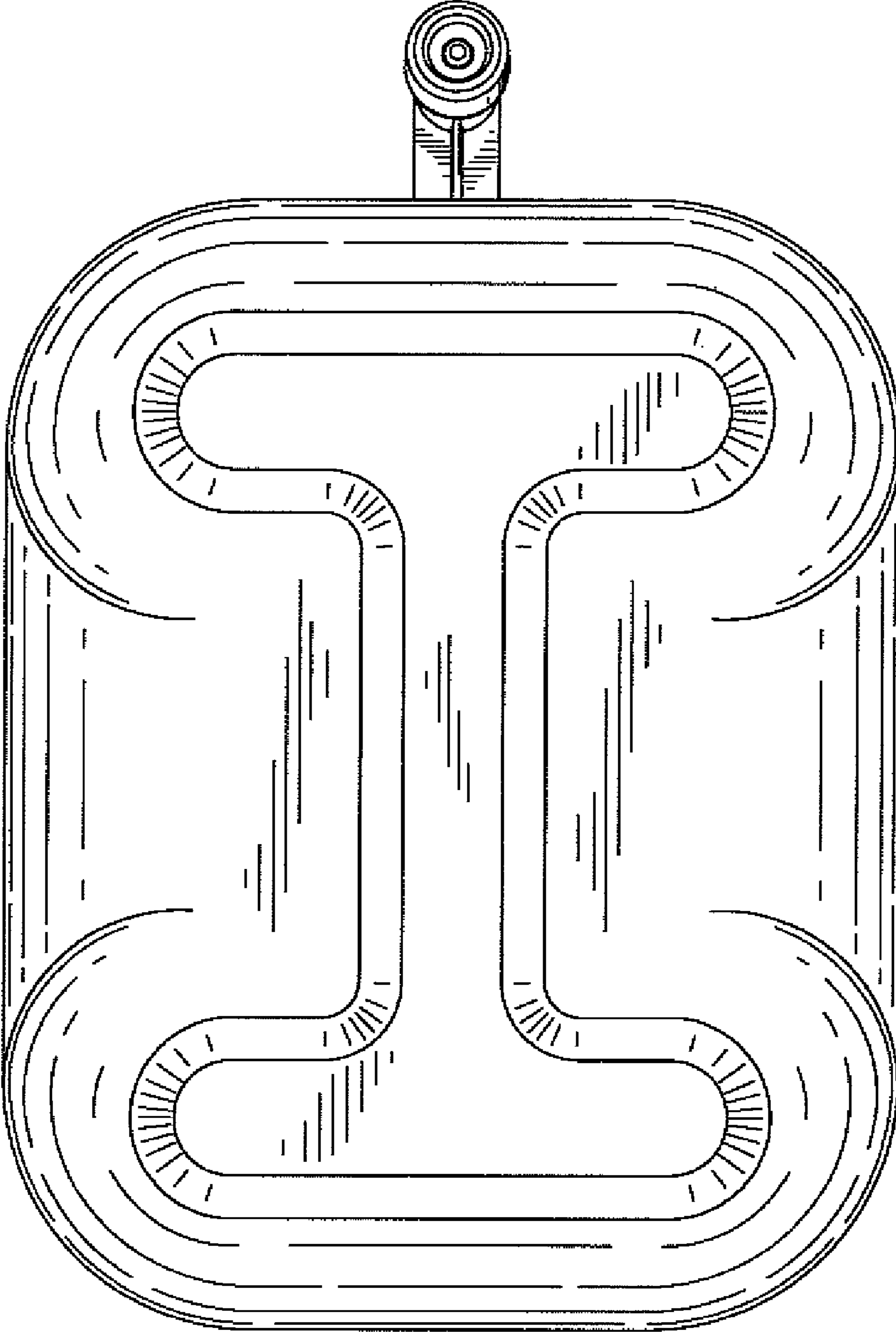


FIG. 13