



US00D640348S

(12) **United States Design Patent**
Oedekoven et al.

(10) **Patent No.:** **US D640,348 S**
(45) **Date of Patent:** **** Jun. 21, 2011**

(54) **ROLLING LAWN AND GARDEN SPRINKLER AND SPRAYER**

(76) Inventors: **Jason Oedekoven**, Recluse, WY (US);
Cheri Irvin, Recluse, WY (US)

(**) Term: **14 Years**

(21) Appl. No.: **29/372,642**

(22) Filed: **Dec. 17, 2010**

(51) **LOC (9) Cl.** **23-01**

(52) **U.S. Cl.** **D23/215; D21/650**

(58) **Field of Classification Search** D23/214,
D23/215, 219, 220; D21/650; 239/172,
239/211, 225.1

See application file for complete search history.

(56) **References Cited**

U.S. PATENT DOCUMENTS

1,873,992	A	8/1932	Boag	
1,936,275	A	11/1933	Siebert	
2,030,278	A	2/1936	Thorne	
2,293,796	A	8/1942	Bestor	
D144,102	S *	3/1946	Mott	D23/220
2,712,960	A	7/1955	Grubb	
D180,717	S *	7/1957	Jones et al.	D21/592
2,883,116	A	4/1959	Muench	
4,033,509	A	7/1977	Sheets	
D327,728	S	7/1992	Baker	
5,150,840	A	9/1992	Gryniewicz	
5,335,690	A	8/1994	Worth	
5,419,494	A	5/1995	Harwood	
D360,253	S	7/1995	Mursch	
D363,938	S *	11/1995	Kahng	D15/14
5,549,248	A	8/1996	Baker	
5,609,417	A	3/1997	Otte	
5,950,928	A	9/1999	Giang	
6,161,779	A	12/2000	Oyler	
D443,915	S *	6/2001	Heren et al.	D23/220
6,471,141	B2	10/2002	Smith	
D476,060	S *	6/2003	Duncan et al.	D23/215

6,604,697	B1	8/2003	Heren	
D479,303	S *	9/2003	Duncan et al.	D23/215
D482,429	S *	11/2003	Duncan et al.	D23/215
6,722,583	B2	4/2004	Restaino	
D505,992	S *	6/2005	LaHood	D23/215
6,953,164	B2 *	10/2005	Duncan et al.	239/722
7,083,118	B1	8/2006	Bowles	
7,207,503	B1	4/2007	Stengel	
7,300,004	B2	11/2007	Sinden	
7,325,756	B1	2/2008	Giorgis	
7,344,091	B2	3/2008	Caccaviello	
7,703,703	B2	4/2010	Gavin	

FOREIGN PATENT DOCUMENTS

WO	WO2006/020050	2/2006
WO	WO2009/098434	8/2009

OTHER PUBLICATIONS

- <http://www.sprinklerwarehouse.com/Traveling-Sprinklers-s/251.htm>.
- <http://www.sprinklerwarehouse.com/EZ-Flo-Fertilizer-System-Paks-s/506.htm>.
- <http://www.rapidrain.com/products.html>.

(Continued)

Primary Examiner — Robin Webster

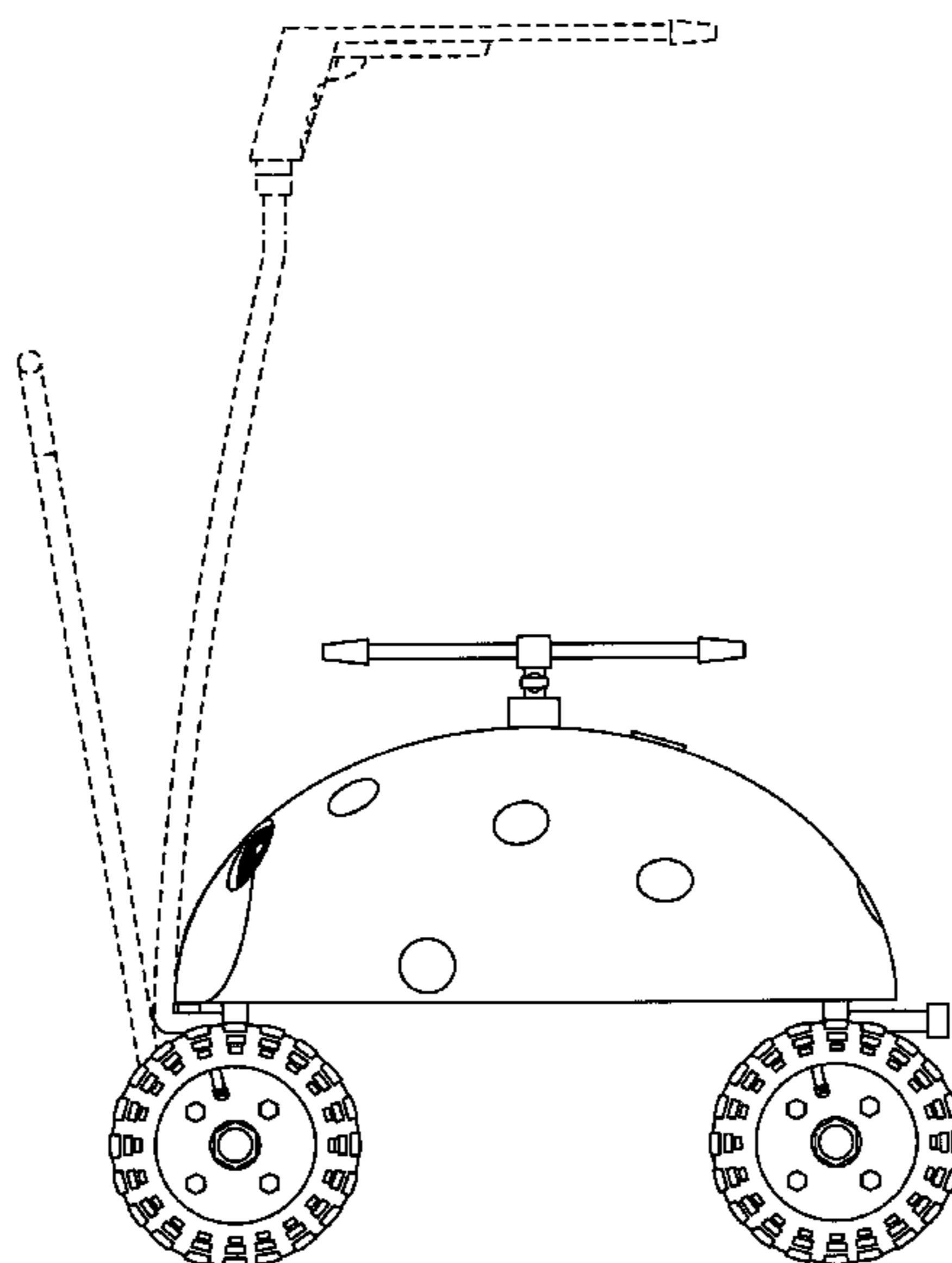
(57) **CLAIM**

The ornamental design for a rolling lawn and garden sprinkler and sprayer, as shown and described.

DESCRIPTION

FIG. 1 is a side elevation view of a rolling lawn and garden sprinkler and sprayer showing my new design; FIG. 2 is a top plan view thereof; and, FIG. 3 is a bottom plan view thereof. The broken line showing of structural lines is included for the purpose of illustrating non-claimed subject matter and forms no part of the claimed design.

1 Claim, 3 Drawing Sheets



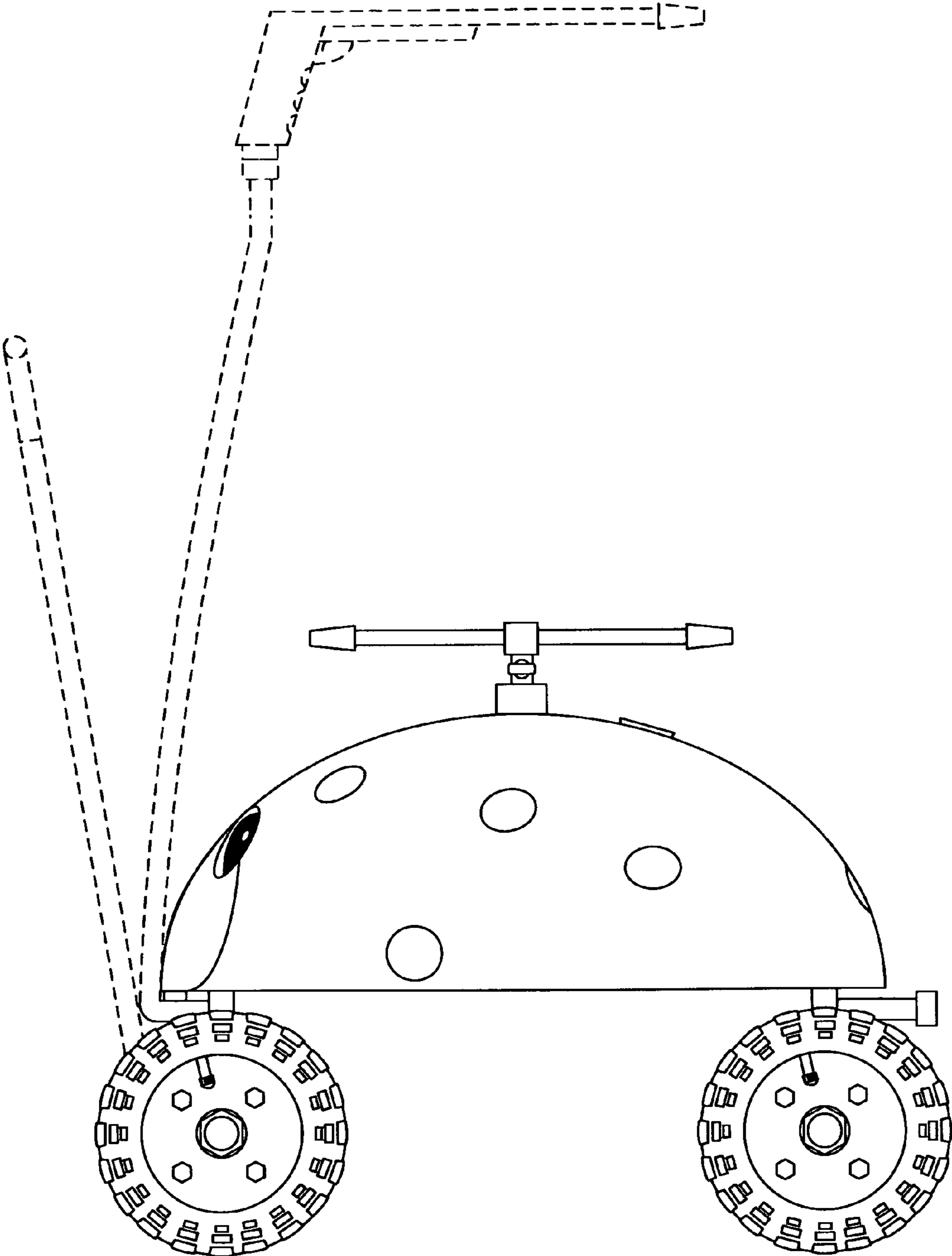


FIG 1

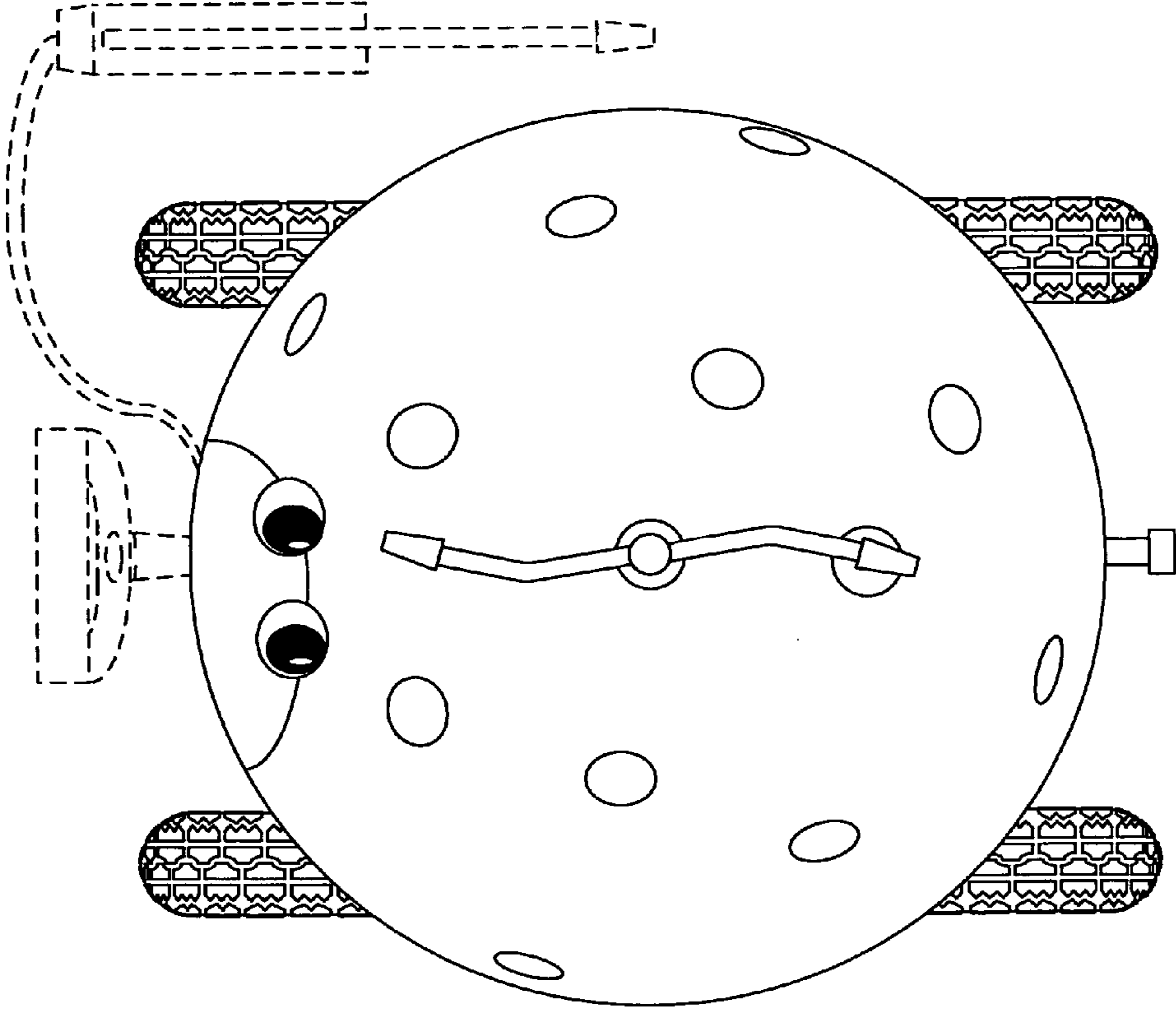


FIG 2

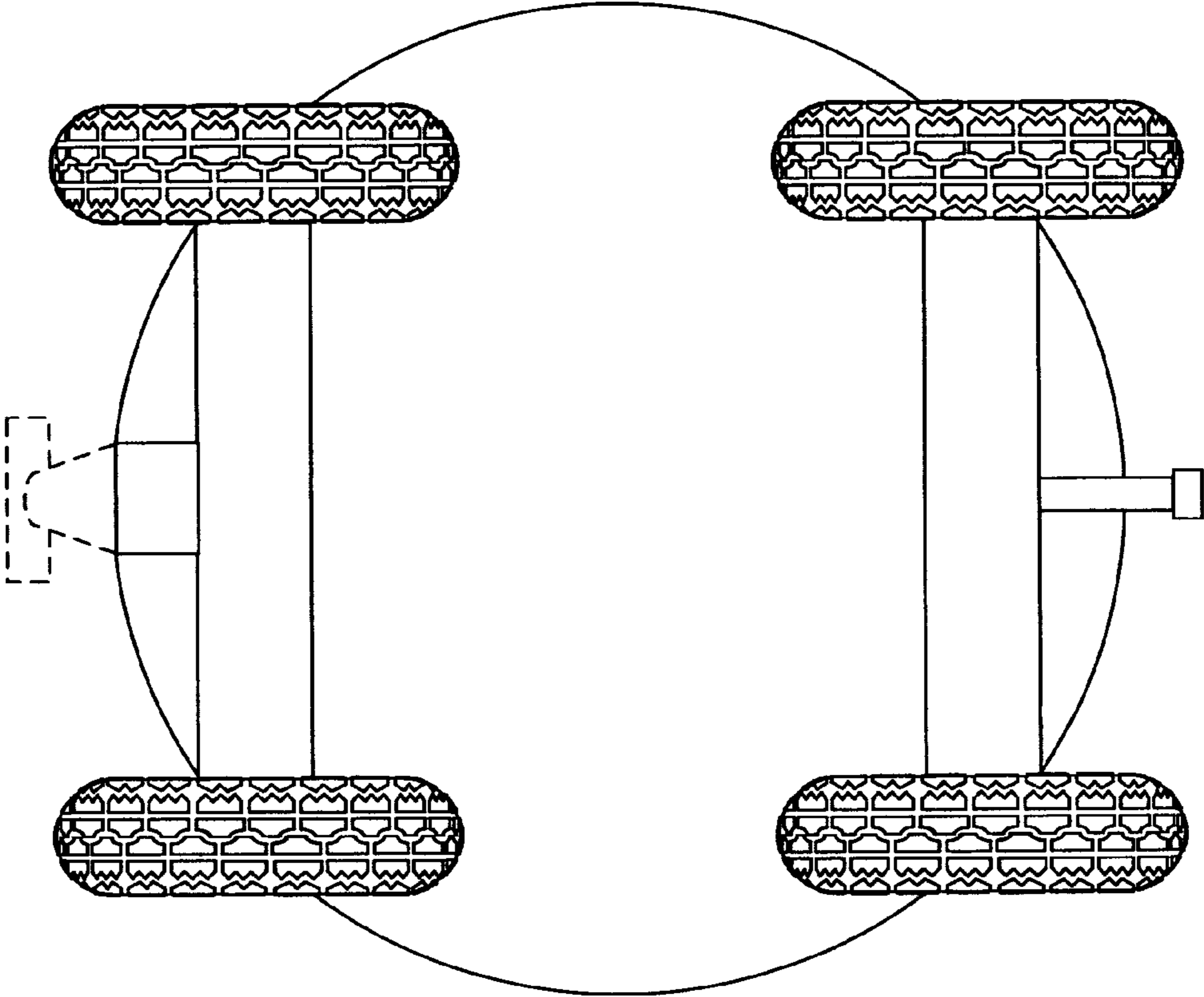


FIG 3