



US00D640346S

(12) **United States Design Patent**  
**Sheppard et al.**

(10) **Patent No.:** **US D640,346 S**  
(45) **Date of Patent:** **\*\* Jun. 21, 2011**

(54) **WATER FILTRATION CONTAINER**  
(75) Inventors: **Nasahn Adam Sheppard**, Mill Valley, CA (US); **Dominik Heinz Langhammer**, San Francisco, CA (US); **Joern Vicari**, Brooklyn, NY (US); **Maarten Dinger**, San Francisco, CA (US); **Shannon Leigh Koy**, Berkeley, CA (US)

(73) Assignee: **The Procter & Gamble Company**, Cincinnati, OH (US)

(\*\*) Term: **14 Years**

(21) Appl. No.: **29/346,767**

(22) Filed: **Nov. 5, 2009**

(51) **LOC (9) Cl.** ..... **23-01**

(52) **U.S. Cl.** ..... **D23/209**

(58) **Field of Classification Search** ..... D23/207, D23/209, 212; D7/300, 312, 316-319; 210/85, 210/266, 282, 321.6, 470, 482; 222/130, 222/131, 189.07, 465.1; 215/6; 220/521  
See application file for complete search history.

(56) **References Cited**

**U.S. PATENT DOCUMENTS**

D36,394 S	6/1903	Goetze
D173,455 S	11/1954	Reinecke et al.
D180,049 S	4/1957	Tupper et al.
2,805,561 A	9/1957	Emmert et al.
D244,339 S	5/1977	Wendt
D272,225 S	1/1984	De Coster
4,623,457 A	11/1986	Hankammer
D312,552 S	12/1990	Carlson
D317,547 S	6/1991	Gecchelin
D324,320 S	3/1992	Pedersen
D345,669 S	4/1994	Piret
D350,255 S	9/1994	Daenen et al.
D362,583 S	9/1995	Weber et al.
D365,963 S	1/1996	Feer
D377,437 S	1/1997	Magnusson

5,637,214 A	6/1997	Kahana
D382,763 S	8/1997	Jeppesen et al.
D383,351 S	9/1997	DeMore
D386,041 S	11/1997	Tanner et al.
D386,944 S	12/1997	Demore et al.
D388,655 S	1/1998	Flom et al.
D389,004 S	1/1998	Hampshire et al.
D389,006 S	1/1998	Demore et al.
D393,175 S	4/1998	Chang
D398,184 S	9/1998	Silverberg et al.
D400,755 S	11/1998	Ferlin, Jr.
5,830,360 A	11/1998	Mozayeni
D406,003 S	2/1999	Tanner et al.
5,882,507 A	3/1999	Tanner et al.
D415,922 S	11/1999	Kawasaki et al.
D416,163 S	11/1999	Doritty et al.
D418,714 S	1/2000	Fox et al.
D419,027 S	1/2000	Haslem et al.
D421,361 S	3/2000	Coulson et al.

(Continued)

*Primary Examiner* — Cathron C. Brooks

*Assistant Examiner* — Maurice Stevens

(74) *Attorney, Agent, or Firm* — Cynthia L. Clay; Kim William Zerby

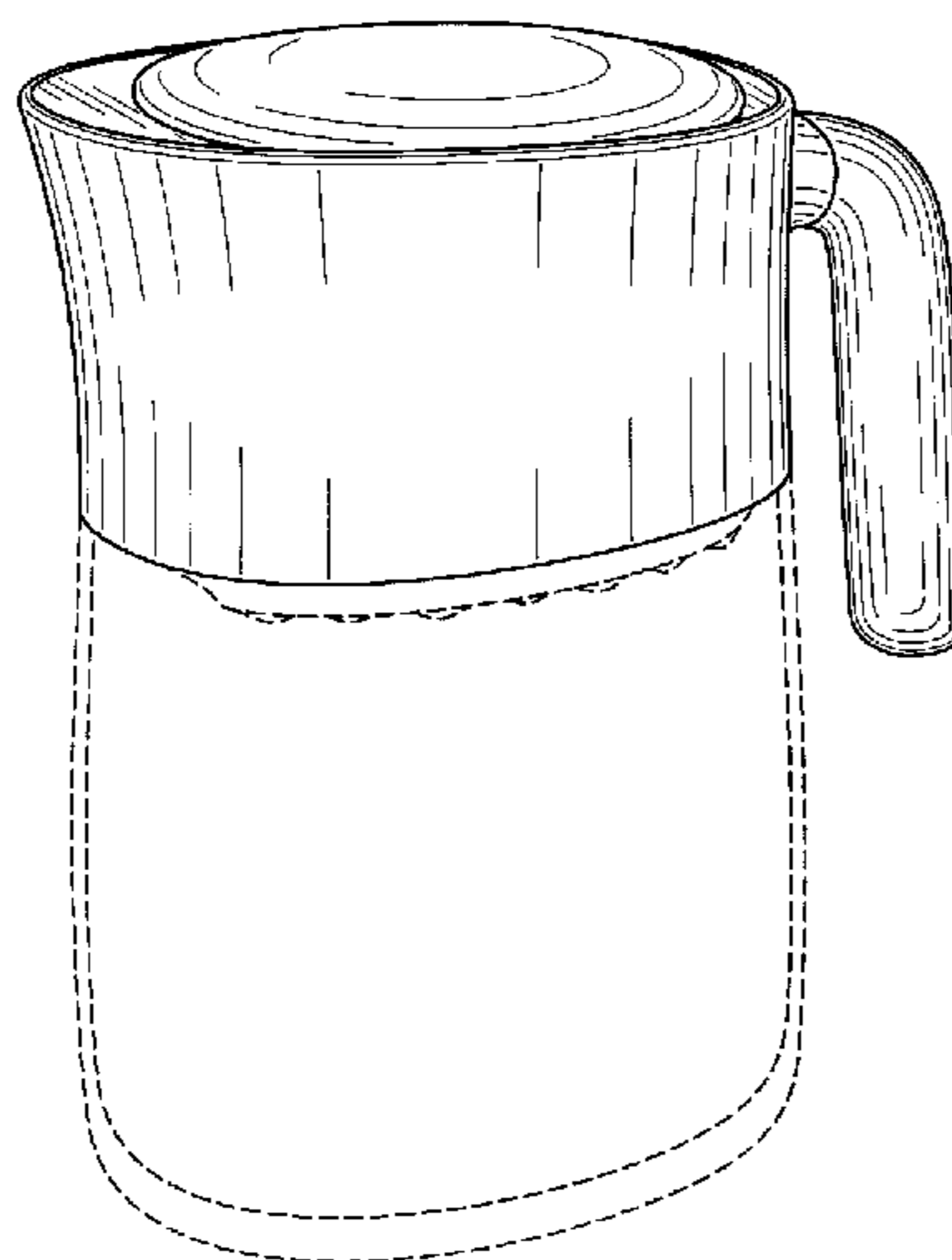
(57) **CLAIM**

The ornamental design for a water filtration container, as shown and described.

**DESCRIPTION**

FIG. 1 is a perspective view of an embodiment of a water filtration container illustrating our new design; FIG. 2 is a left side elevational view thereof; FIG. 3 is a right side elevational view thereof; FIG. 4 is a front side elevational view thereof; FIG. 5 is a back side elevational view thereof; FIG. 6 is a top planar view thereof; and, FIG. 7 is a bottom planar view thereof. The broken lines in the drawings represent portions of the water filtration container that form no part of the claimed design.

**1 Claim, 6 Drawing Sheets**



# US D640,346 S

Page 2

## U.S. PATENT DOCUMENTS

6,103,114 A	8/2000	Tanner et al.	7,107,838 B2 *	9/2006	Chai et al. ....	73/304 R
D430,449 S	9/2000	Yeh	D542,077 S	5/2007	Claypool et al.	
D439,790 S	4/2001	Matsushita et al.	D546,113 S *	7/2007	Ruoff .....	D7/319
D440,110 S	4/2001	Tanner et al.	D550,020 S	9/2007	Pettaweebuncha	
D444,662 S	7/2001	McGrath et al.	7,297,283 B2	11/2007	Ali	
D444,843 S	7/2001	Hilgers et al.	D560,092 S	1/2008	Thuliez	
D444,987 S	7/2001	McGrath et al.	D573,394 S *	7/2008	Tullney et al. ....	D7/317
6,254,768 B1	7/2001	Dulieu et al.	D576,250 S	9/2008	Born et al.	
6,387,260 B1	5/2002	Pimenov et al.	7,438,799 B2	10/2008	Vandenbelt et al.	
6,405,875 B1	6/2002	Cutler	D583,612 S	12/2008	Wu et al.	
D460,311 S	7/2002	Chang	D584,913 S	1/2009	Green et al.	
6,423,224 B1	7/2002	Tanner et al.	D585,231 S	1/2009	Bulala et al.	
6,440,302 B1	8/2002	Leipziger	D594,690 S	6/2009	Bursztein	
D465,377 S	11/2002	Murison et al.	D620,304 S *	7/2010	Rajan et al. ....	D7/319
6,524,477 B1	2/2003	Hughes	2002/0020673 A1	2/2002	Nohren et al.	
6,651,824 B2	11/2003	Miller	2006/0162806 A1	7/2006	Hengsperger et al.	
6,953,523 B2 *	10/2005	Vandenbelt et al. ....	2006/0249442 A1	11/2006	Yap et al.	
D517,852 S	3/2006	Jalet	2007/0151979 A1	7/2007	Klump et al.	
D520,597 S *	5/2006	Witte .....	2008/0164266 A1	7/2008	Sun	
D524,087 S	7/2006	Ali				

\* cited by examiner

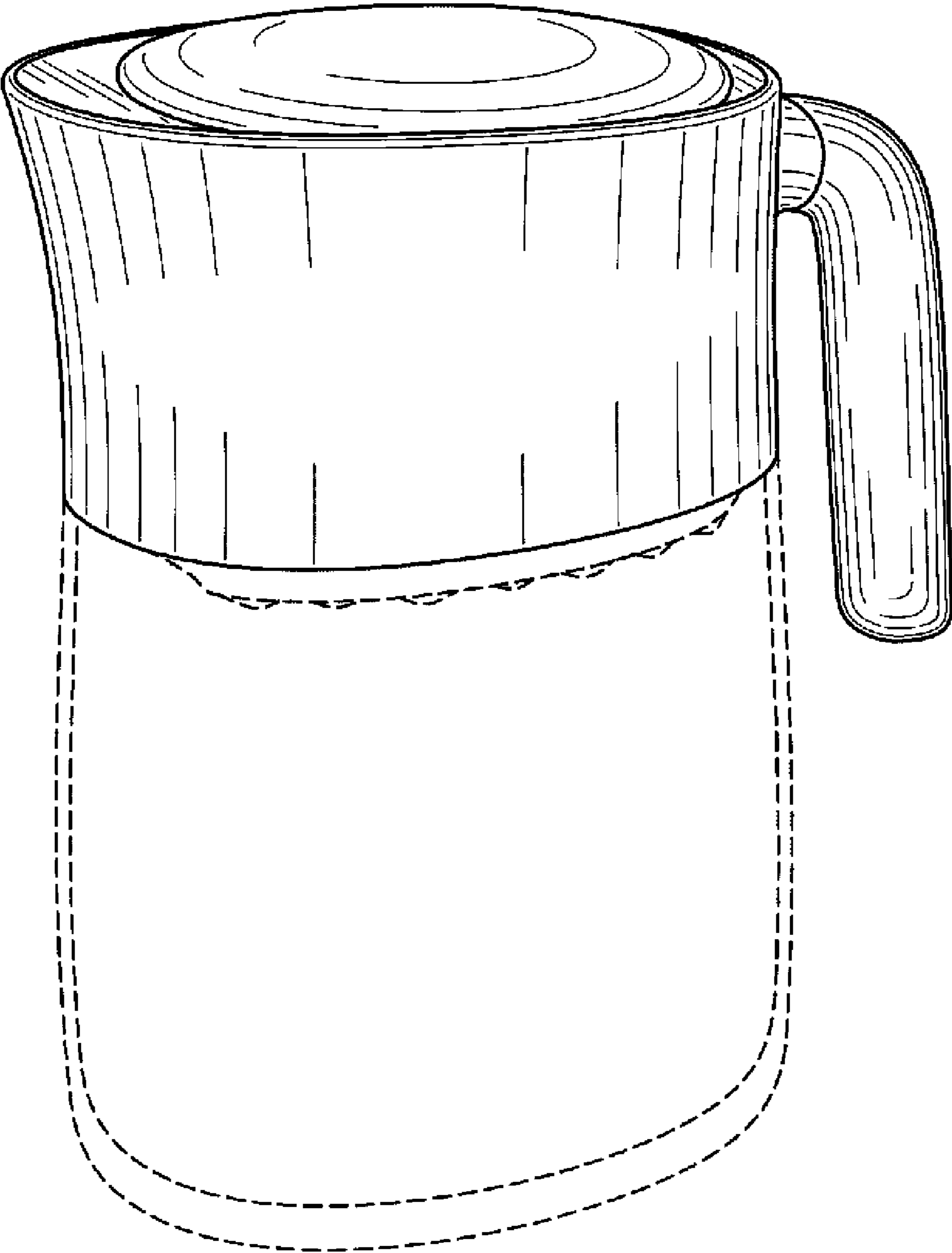


FIG. 1

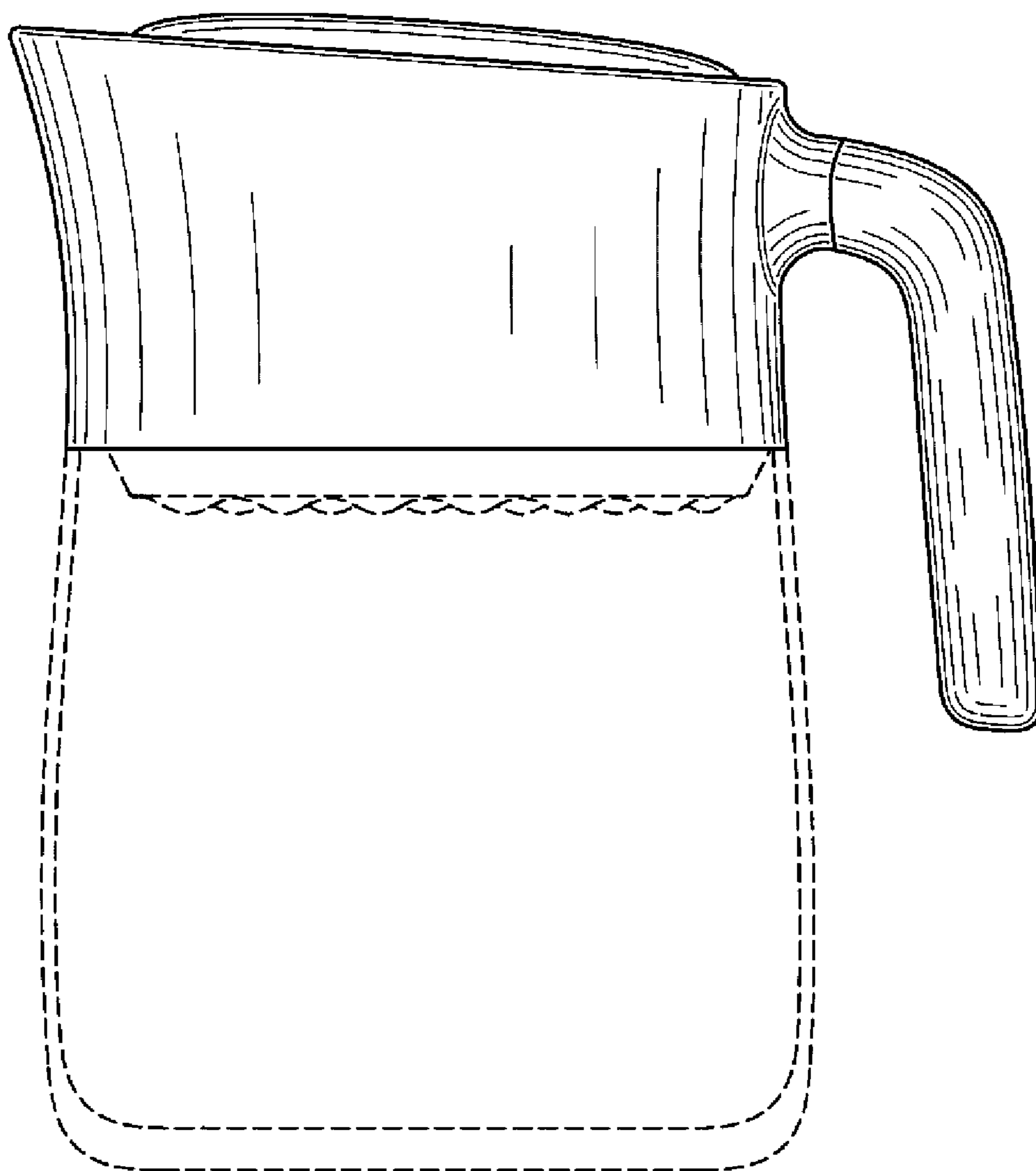


FIG. 2

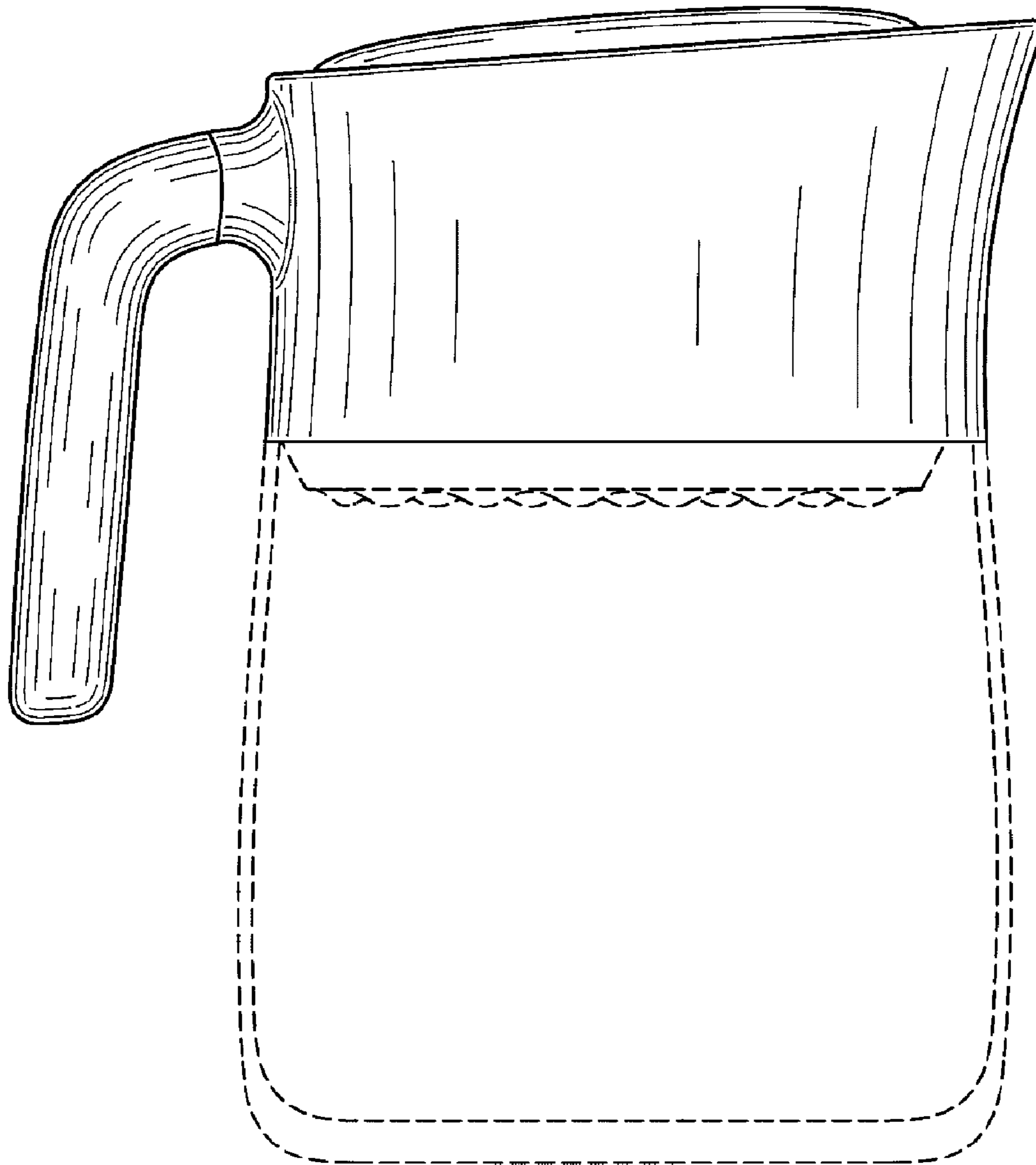


FIG. 3

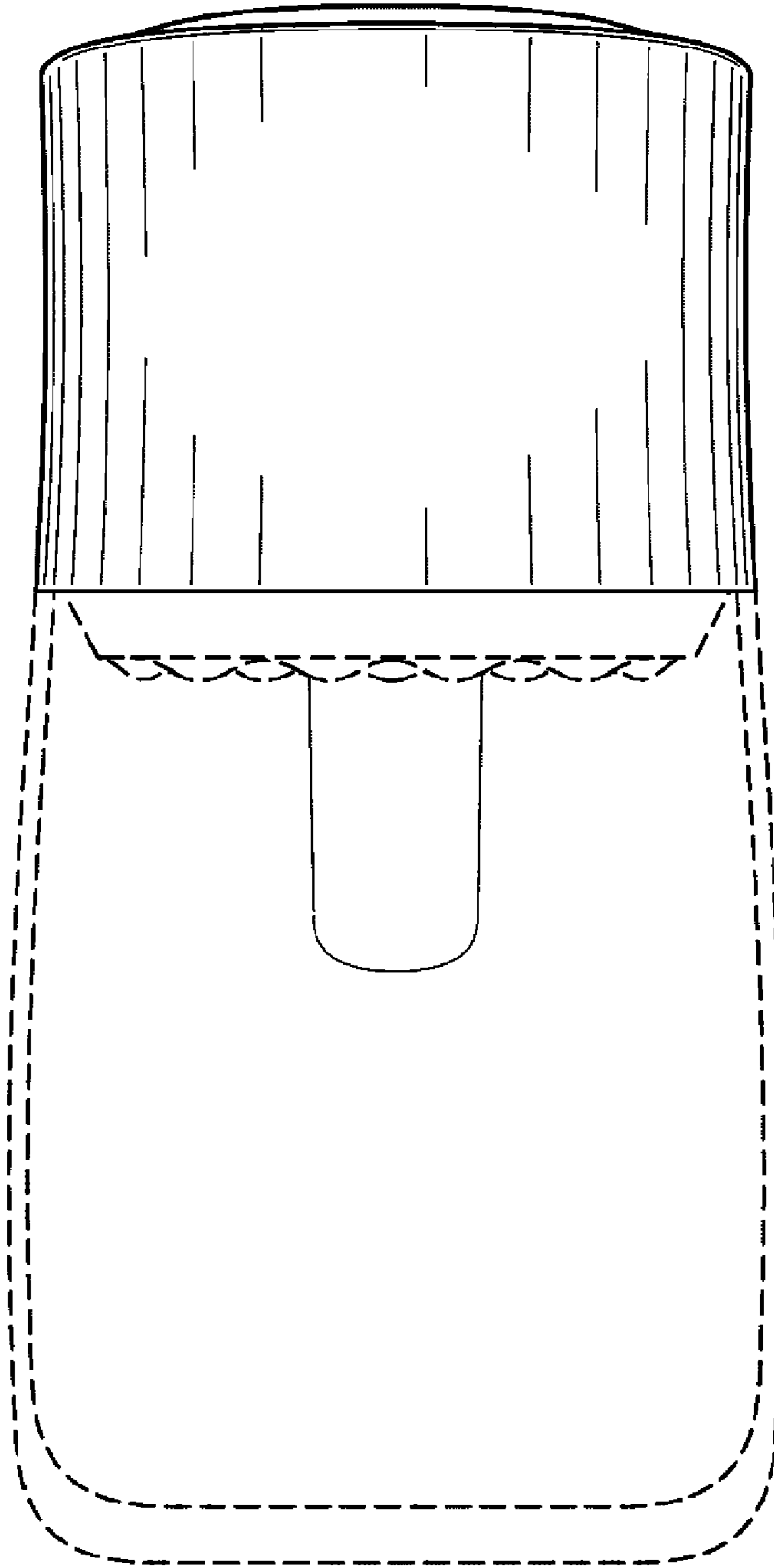


FIG. 4

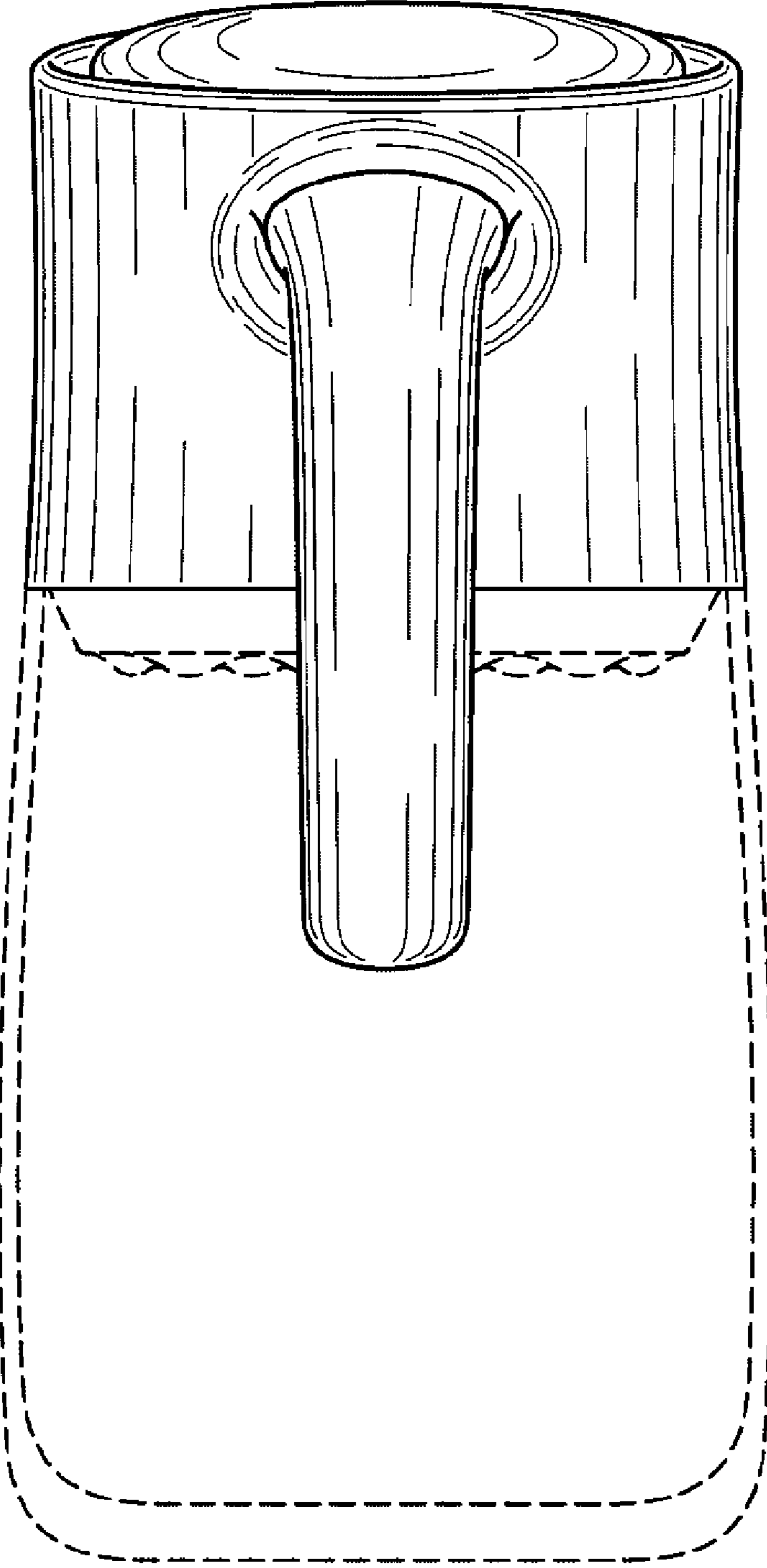


FIG. 5

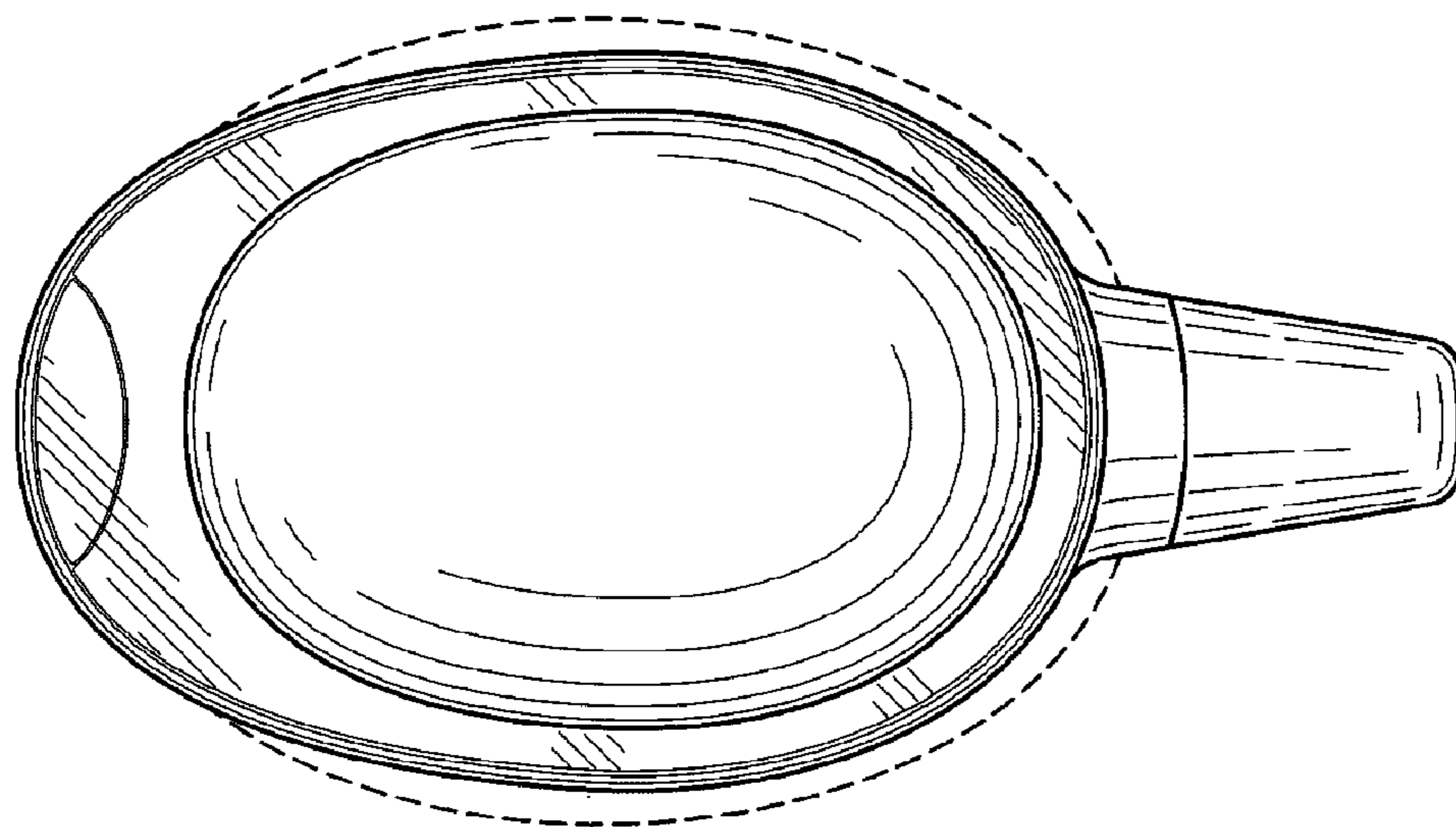


FIG. 6

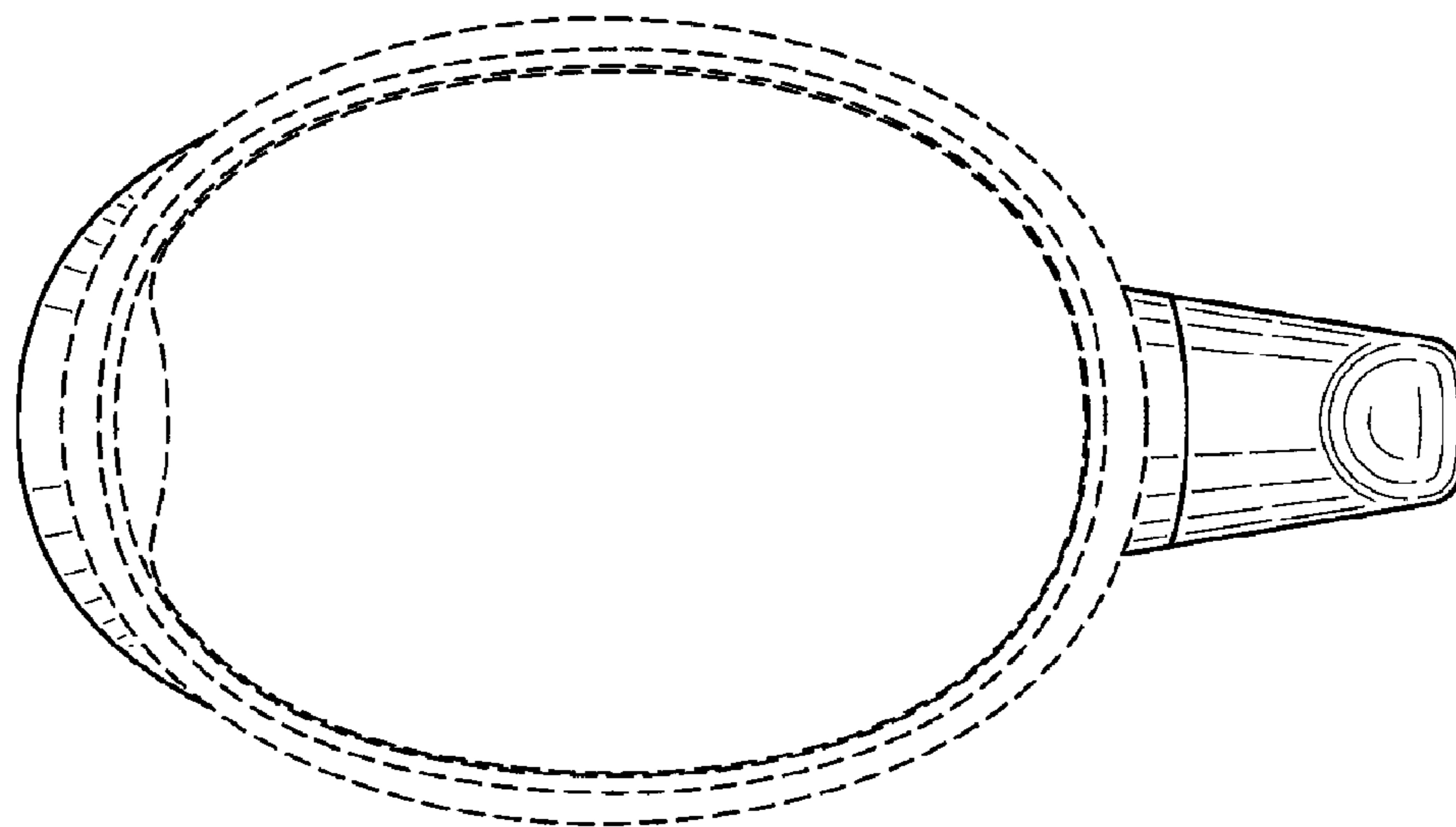


FIG. 7