



US00D640345S

(12) **United States Design Patent**
Corsello et al.

(10) **Patent No.:** **US D640,345 S**
(45) **Date of Patent:** **** Jun. 21, 2011**

(54) **TANK ASSEMBLY**
(75) Inventors: **Kevin Corsello**, Chicago, IL (US);
Jeffrey Brown, Chicago, IL (US); **Geoff Scott**, Chicago, IL (US)
(73) Assignee: **Carat Engineering LLC**, Chicago, IL (US)
(**) Term: **14 Years**

6,401,997 B1 * 6/2002 Smerdon, Jr. 224/414
6,446,837 B2 9/2002 Crawford
D490,138 S * 5/2004 Fritz D23/202
D514,192 S * 1/2006 Stoner D23/202
D527,789 S * 9/2006 Thompson et al. D23/202
7,121,436 B2 10/2006 Lee
7,546,855 B2 6/2009 Rodewald
D612,448 S * 3/2010 Richardson D23/202
D628,672 S * 12/2010 Kendall et al. D23/202

(Continued)

(21) Appl. No.: **29/366,497**
(22) Filed: **Jul. 26, 2010**

FOREIGN PATENT DOCUMENTS

GB 1581875 12/1980

(51) **LOC (9) Cl.** **23-01**
(52) **U.S. Cl.** **D23/202; D12/218**
(58) **Field of Classification Search** D23/202,
D23/203, 206; 220/587, 581, 565; 222/610;
224/414; D12/218
See application file for complete search history.

OTHER PUBLICATIONS

Photobucket.com, Author: Triathlete, Title: Find Stuff / Water Bottle
Triathlete Bike Pictures, accessed May 6, 2010, 1 page.

(Continued)

(56) **References Cited**

Primary Examiner — Robin Webster

(74) *Attorney, Agent, or Firm* — Fitch, Even, Tabin &
Flannery

U.S. PATENT DOCUMENTS

1,124,924 A 1/1915 Leonard
2,375,406 A 5/1945 Drown
3,198,397 A * 8/1965 Lo Bello 222/610
3,741,429 A * 6/1973 Purcell et al. 220/475
D229,612 S * 12/1973 German D12/218
D243,520 S * 3/1977 Brown D12/218
4,176,770 A * 12/1979 Griggs et al. 224/414
D270,856 S * 10/1983 Peets et al. D23/202
4,441,638 A 4/1984 Shimano
4,499,615 A 2/1985 Radovsky
5,197,640 A 3/1993 Hurley
5,199,619 A 4/1993 Mostashari
5,201,442 A * 4/1993 Bakalian 222/610
D337,368 S * 7/1993 Berfield et al. D23/202
D350,805 S * 9/1994 Berfield D23/202
5,755,368 A 5/1998 Bekkedahl
5,803,328 A 9/1998 Nakahara
D406,313 S * 3/1999 Prosper et al. D23/202
5,944,075 A 8/1999 Turner
D430,919 S * 9/2000 Claussen D23/202
6,354,476 B1 3/2002 Alderman

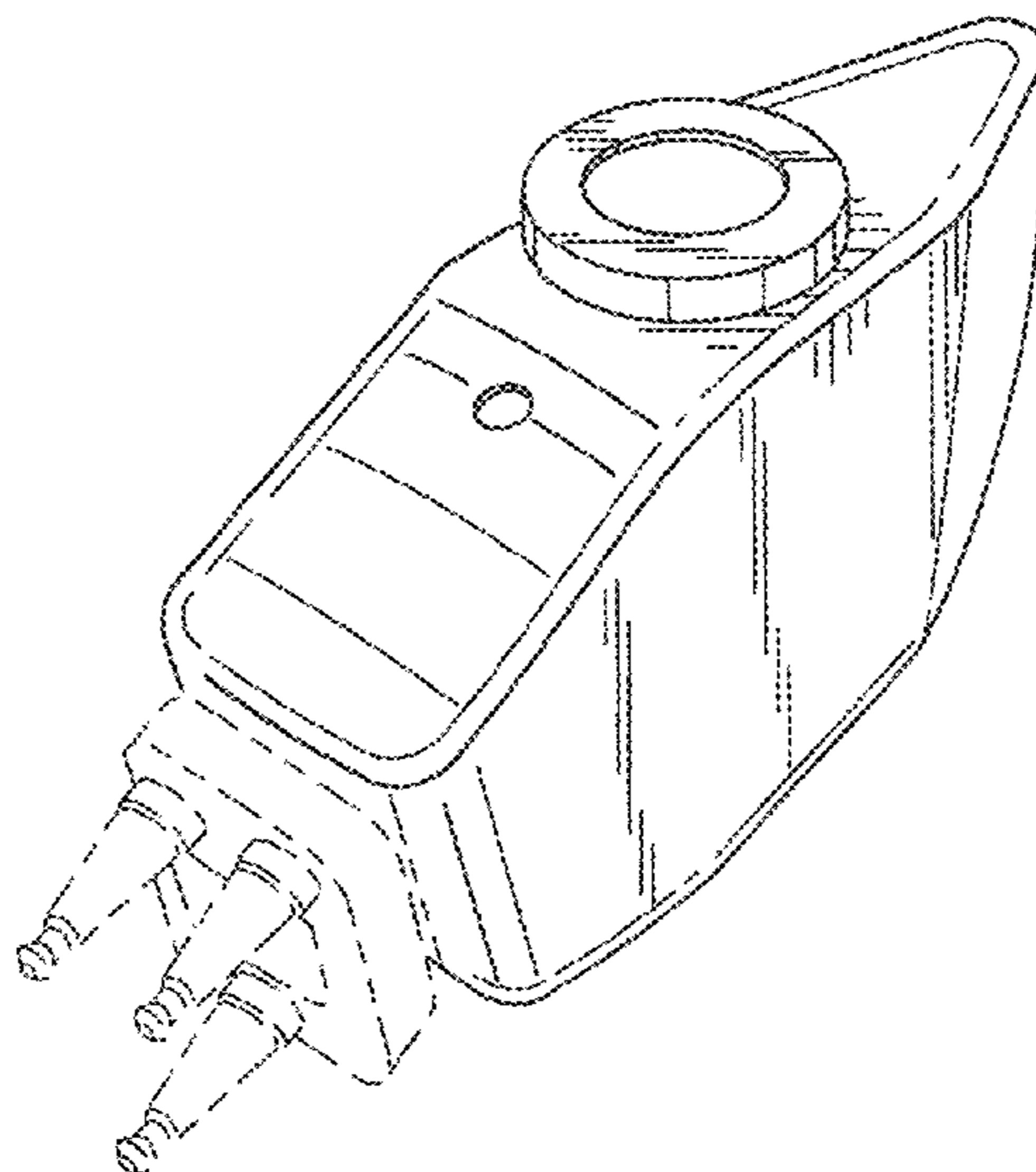
(57) **CLAIM**

We claim the ornamental design for a tank assembly, as shown and described.

DESCRIPTION

FIG. 1 is a perspective view of a tank assembly;
FIG. 2 is a top plan view of the tank assembly of FIG. 1;
FIG. 3 is a bottom plan view of the tank assembly of FIG. 1;
FIG. 4 is a left side elevation view of the tank assembly of FIG. 1, the right side elevation view being identical thereto;
FIG. 5 is a back elevation view of the tank assembly of FIG. 1; and,
FIG. 6 is a front elevation view of the tank assembly of FIG. 1.
The broken lines shown in the drawings are for illustrative purposes only and form no part of the claimed design.

1 Claim, 3 Drawing Sheets



U.S. PATENT DOCUMENTS

2007/0062973 A1 3/2007 Sochacki
2007/0215623 A1 9/2007 Riviezzo
2010/0059565 A1 3/2010 Cote

OTHER PUBLICATIONS

Coachlevi.com, NeverReach: The \$99 Water/Bottle, <http://coachlevi.com/tri/neverreach-hydration-system-water-bottle/>, accessed May 6, 2010, 5 pages.

Beginnertriathlete.com discussion forums, “new tri bike . . . water bottles?”, <http://www.beginnertriathlete.com/discussion/forums/thread-view.asp?tid=157207&posts=5>, accessed May 6, 2010, 4 pages.

U.S. Appl. No. 61/332,144, filed May 6, 2010, entitled “Hydration System”, 26 pages.

* cited by examiner

FIG. 1

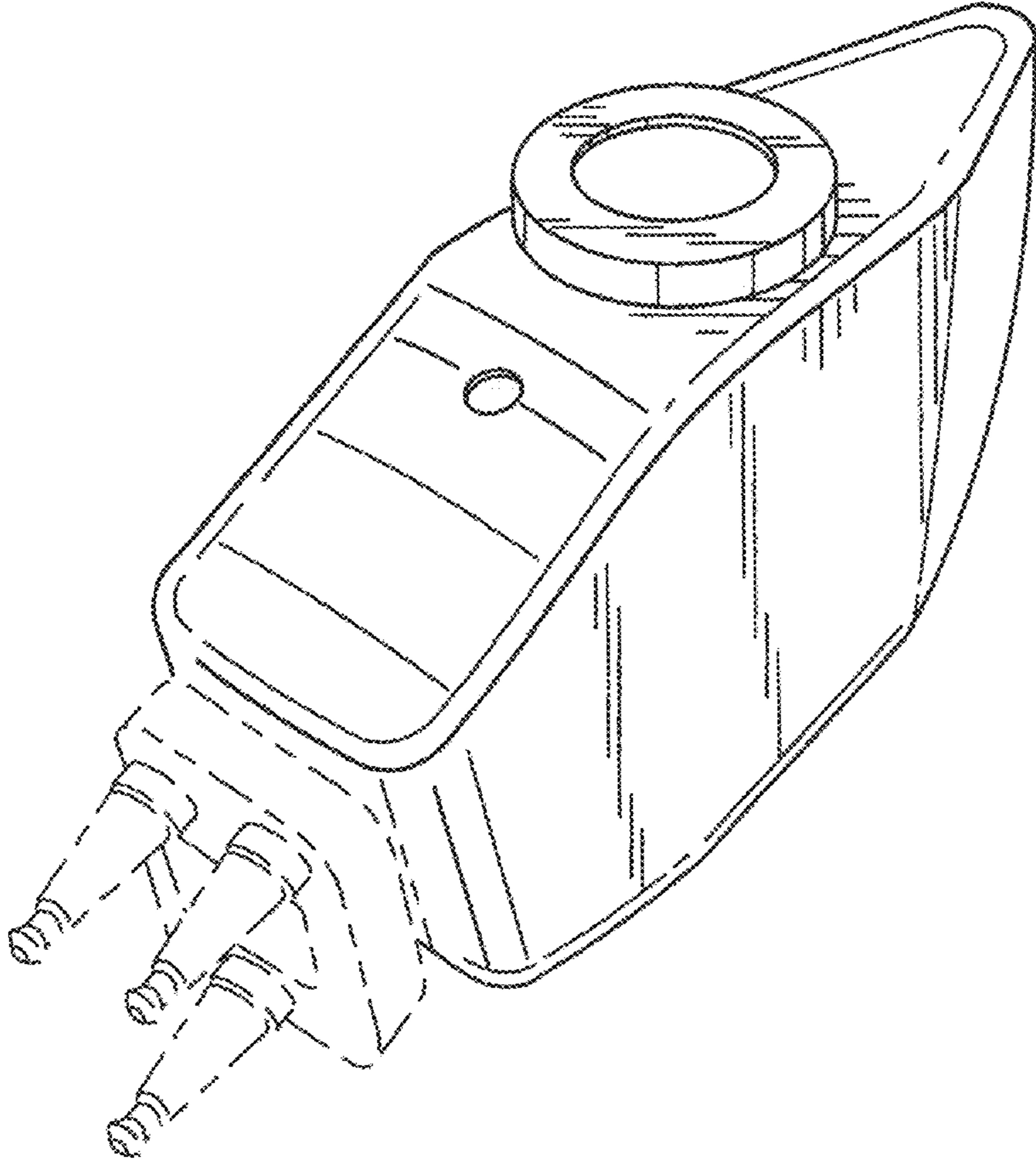


FIG. 2

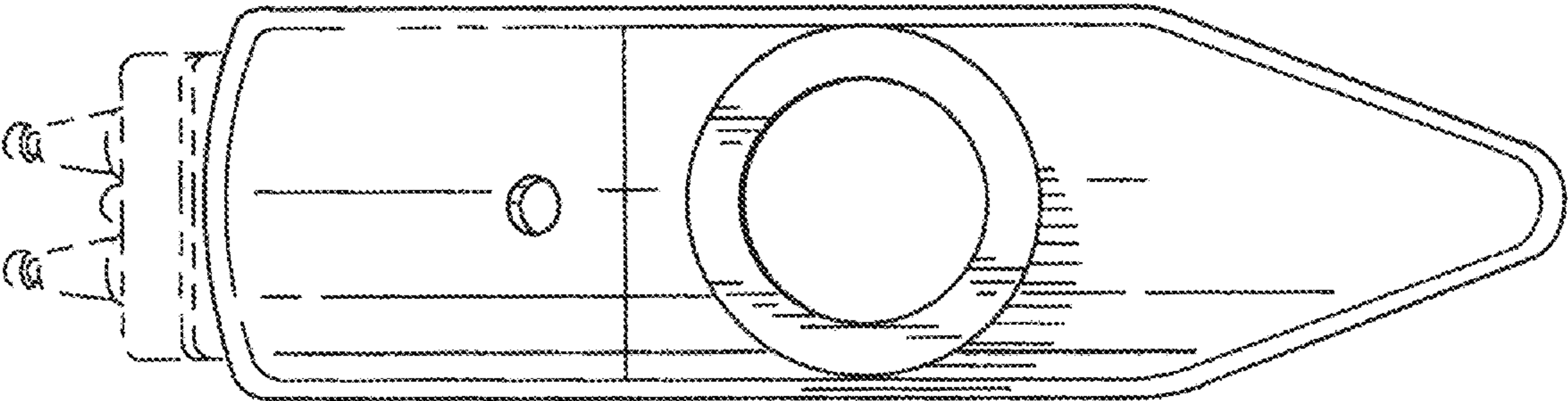


FIG. 3

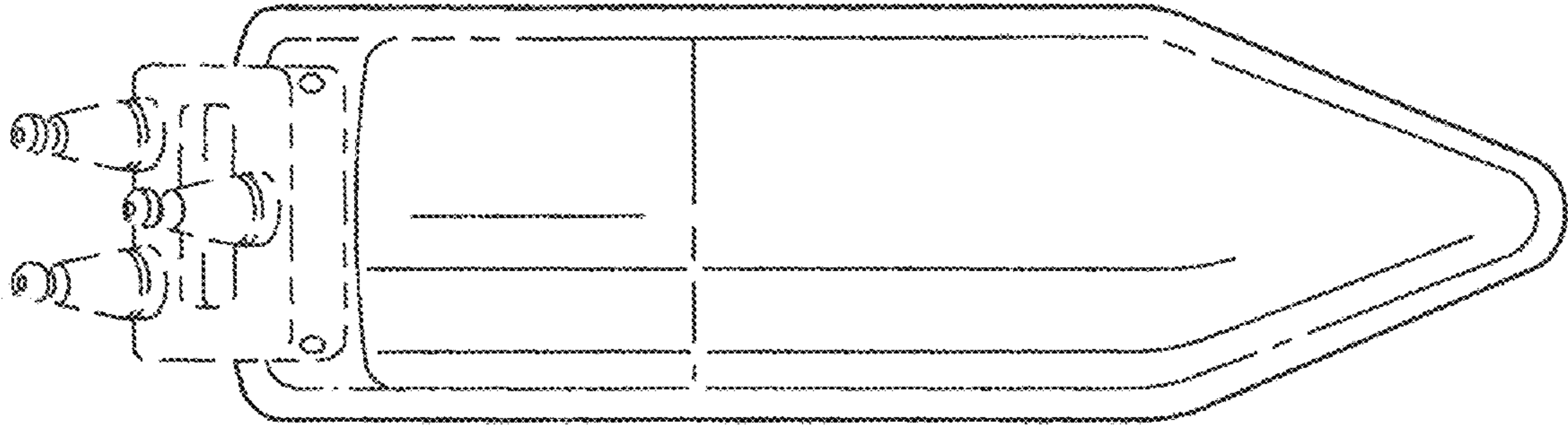


FIG. 4

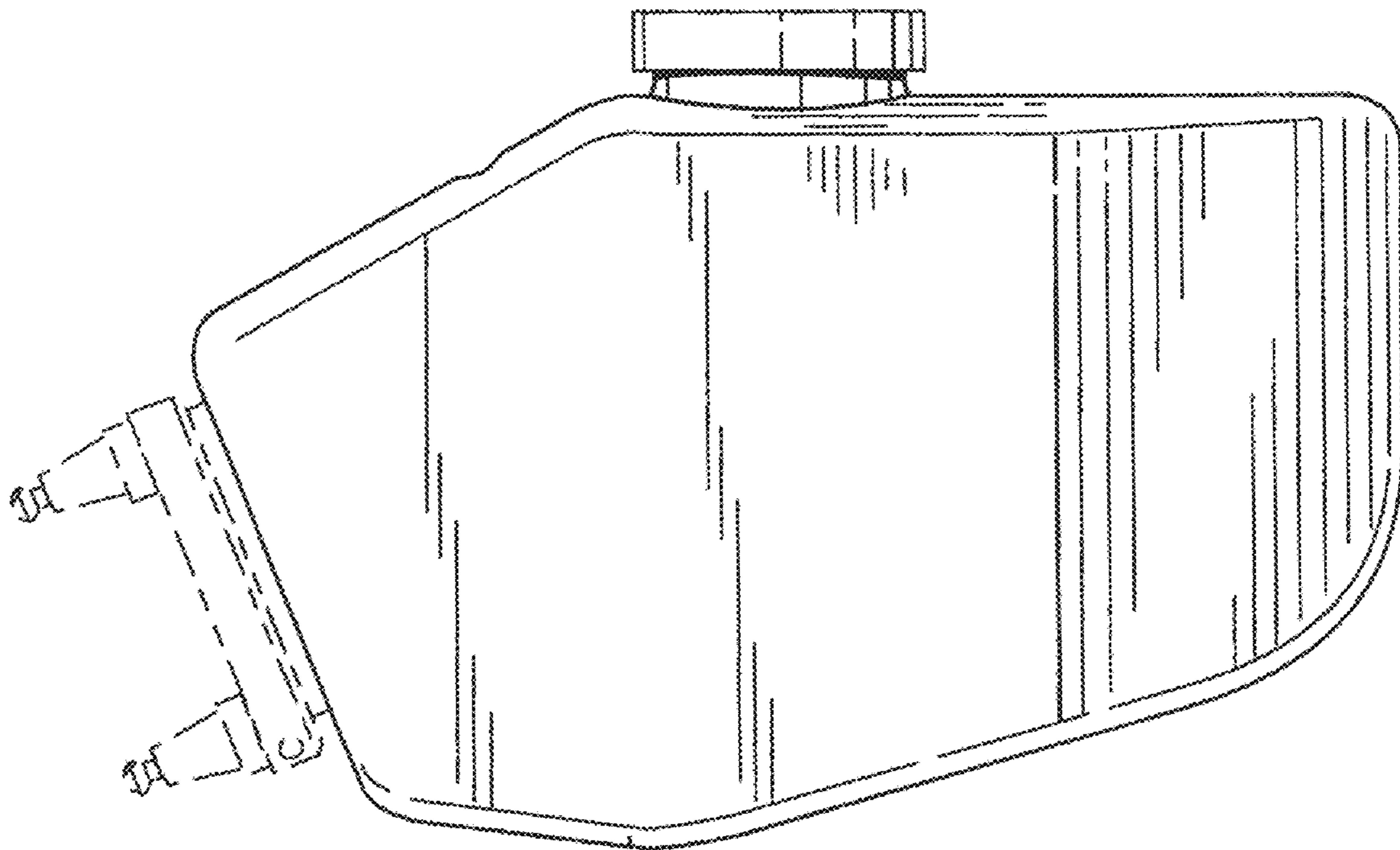


FIG. 5

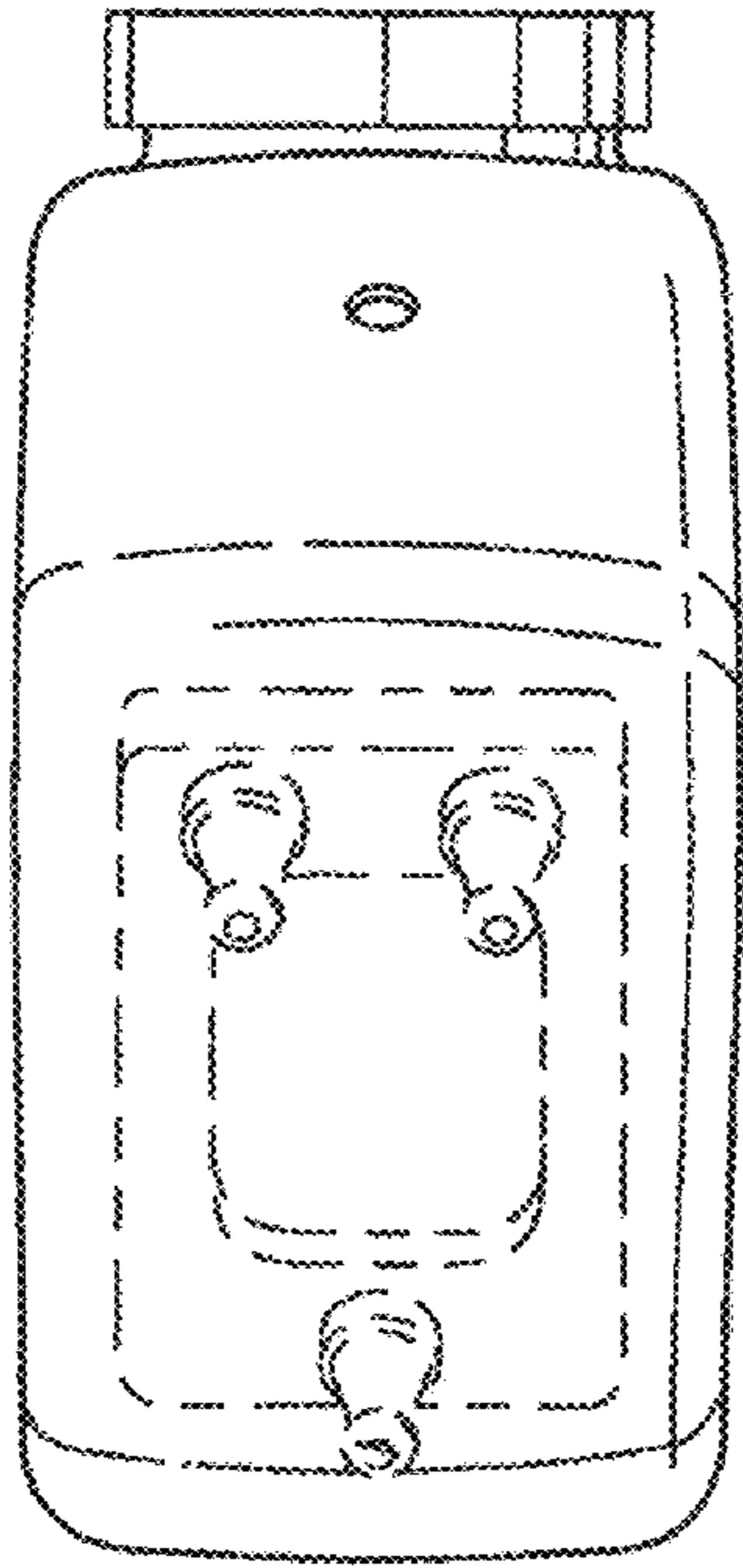


FIG. 6

