

US00D640343S

(12) **United States Design Patent**
Haroian

(10) **Patent No.:** **US D640,343 S**

(45) **Date of Patent:** **** Jun. 21, 2011**

(54) **COMBINATION DESICCANT/FLOATANT STORAGE/APPLICATOR**

Primary Examiner — Catheri Oliver

(74) *Attorney, Agent, or Firm* — Holland Law Office P.L.L.C.

(76) **Inventor:** **Andrew B. Haroian**, Boise, ID (US)

(**) **Term:** **14 Years**

(21) **Appl. No.:** **29/380,538**

(57) **CLAIM**

The ornamental design for a combination desiccant/floatant storage/applicator, as shown and described.

(22) **Filed:** **Dec. 7, 2010**

(51) **LOC (9) Cl.** **22-05**

(52) **U.S. Cl.** **D22/136**

(58) **Field of Classification Search** D22/134,
D22/136, 199; D3/260, 904-905, 215, 228;
43/54.1, 55, 56, 57.1; 206/315.11; 224/235,
224/245, 679, 920

DESCRIPTION

See application file for complete search history.

FIG. 1 is a perspective view of a combination desiccant/floatant storage/applicator showing my new design;
FIG. 2 is a side view;
FIG. 3 is an opposite side view;
FIG. 4 is a rear view thereof;
FIG. 5 is a front view thereof;
FIG. 6 is a top view thereof; and,
FIG. 7 is a bottom view thereof.

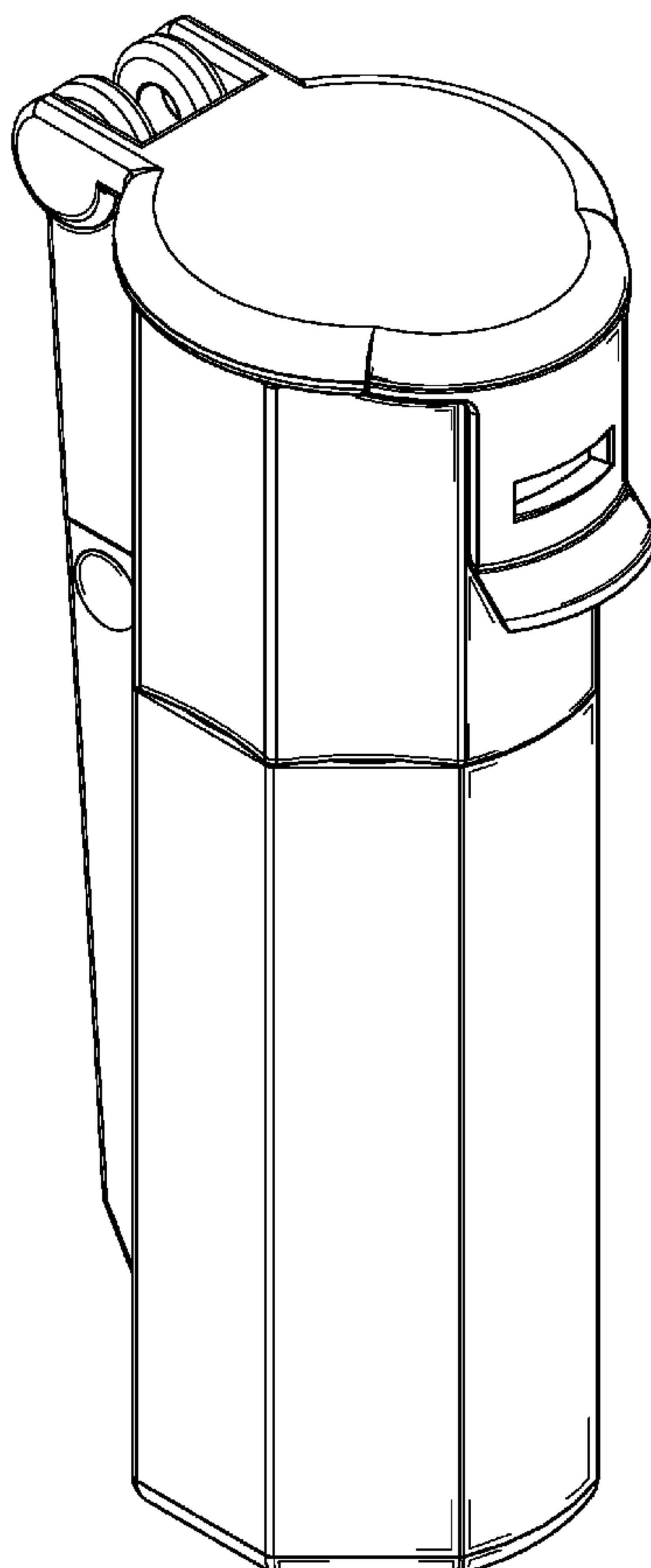
(56) **References Cited**

U.S. PATENT DOCUMENTS

2,729,913	A *	1/1956	Holwerda	43/57.1
D331,445	S *	12/1992	Christian et al.	D22/136
D438,931	S *	3/2001	Gomez	D22/136

* cited by examiner

1 Claim, 6 Drawing Sheets



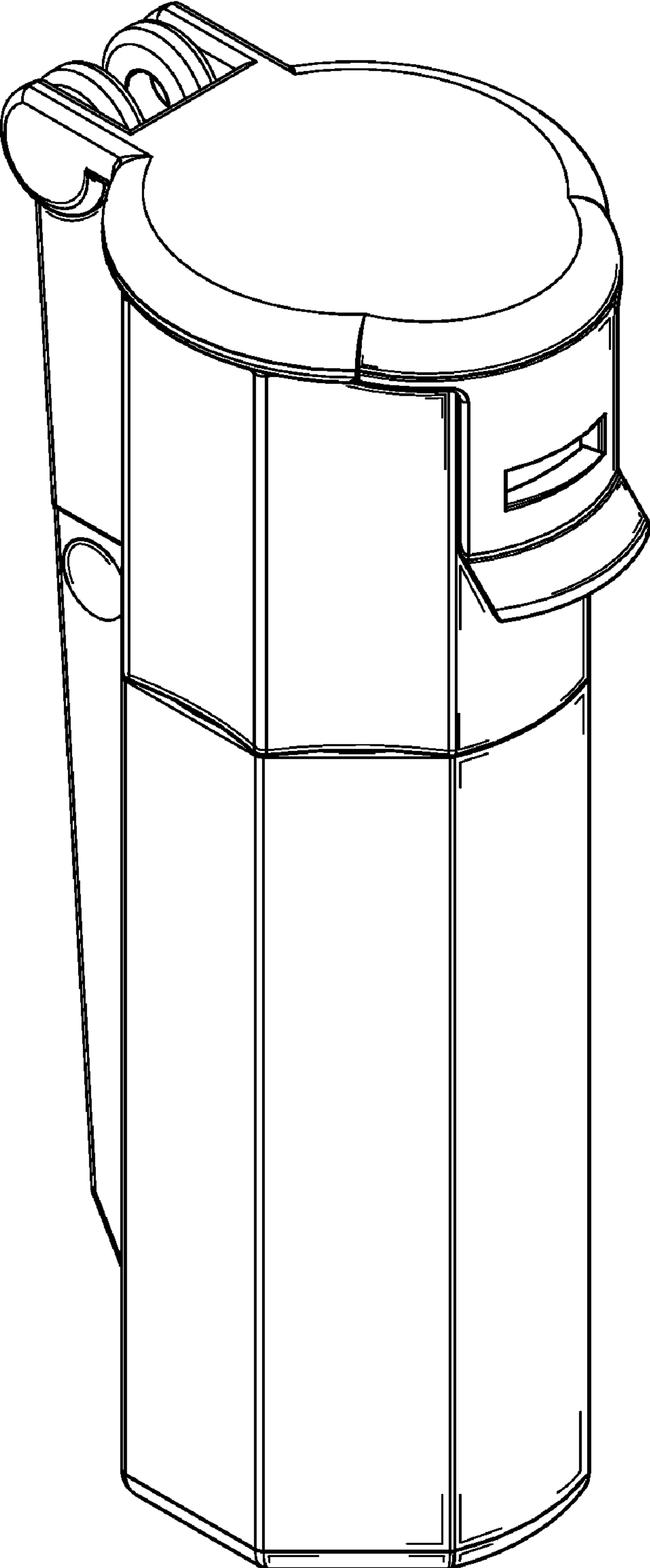


FIG. 1

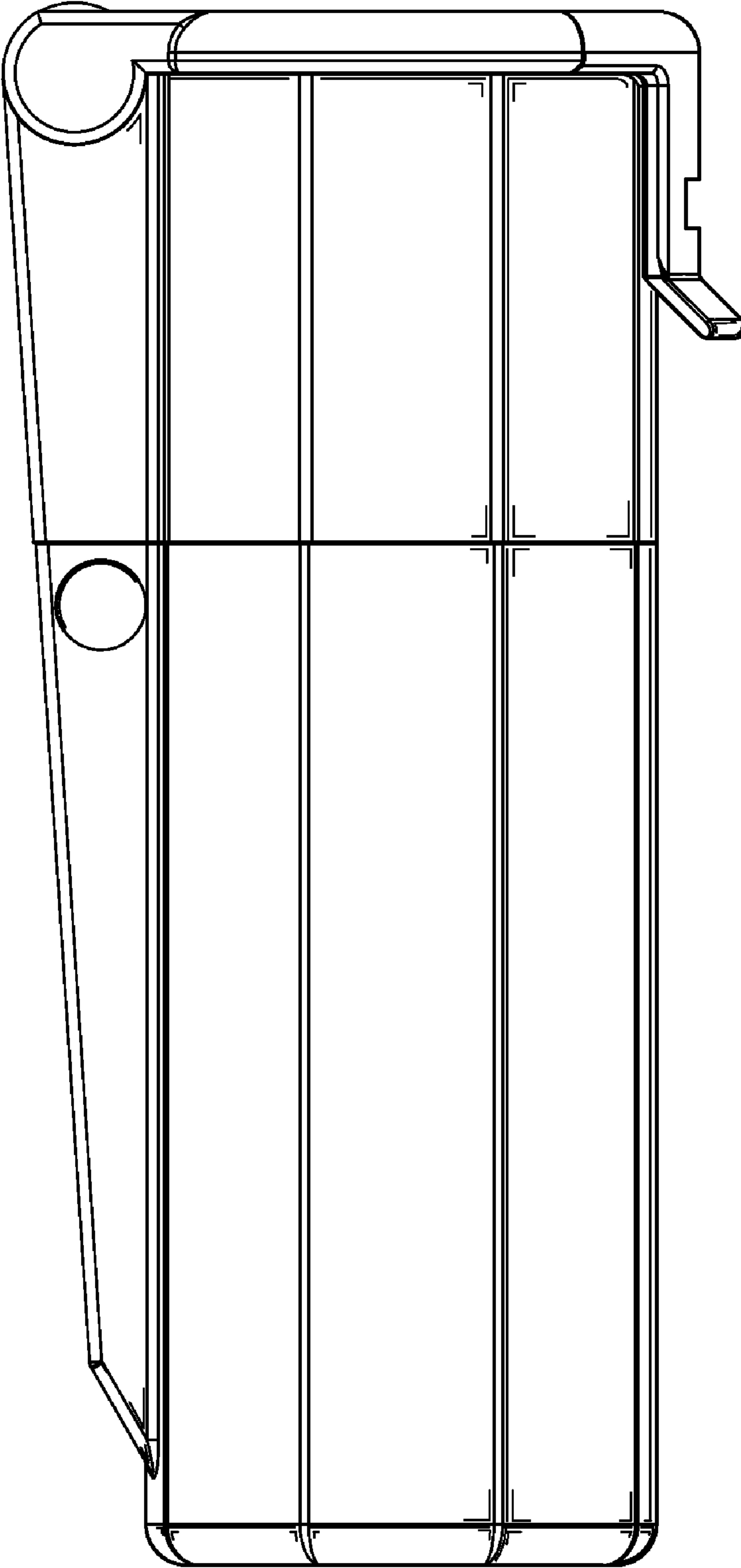


FIG.2

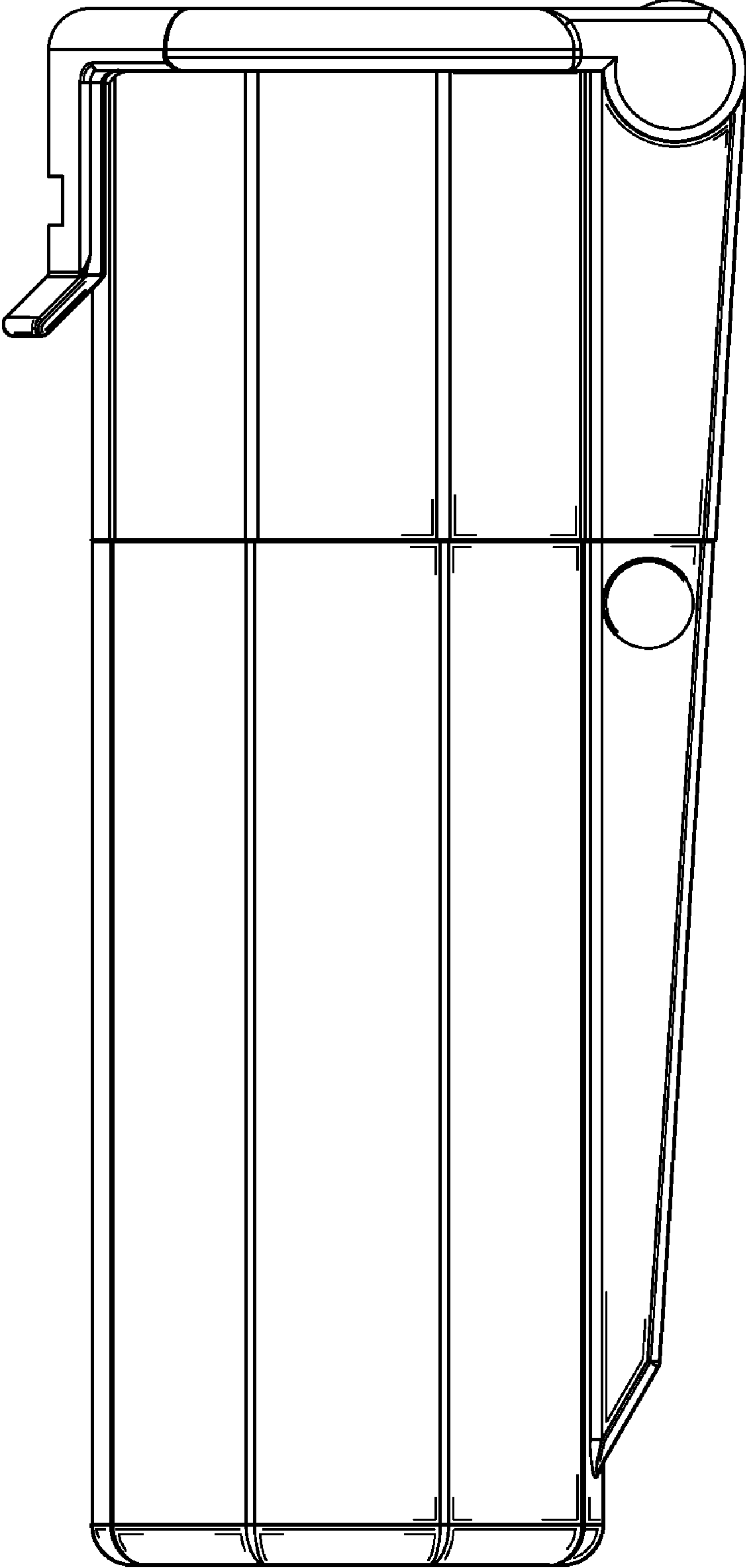


FIG.3

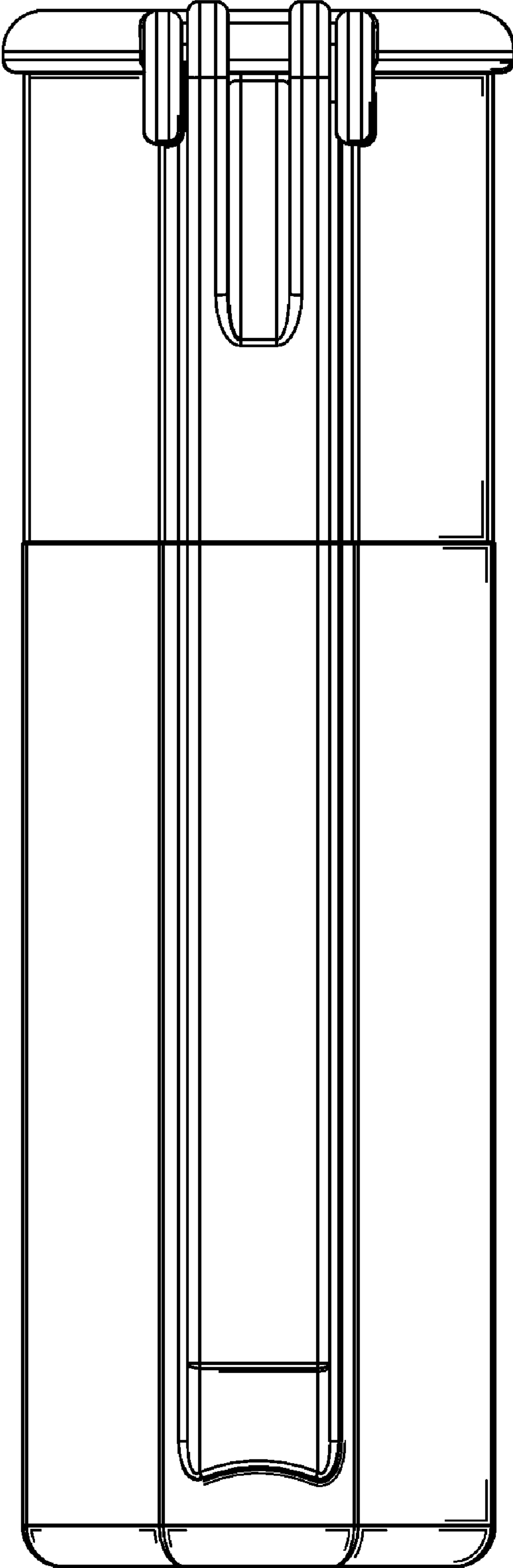


FIG.4

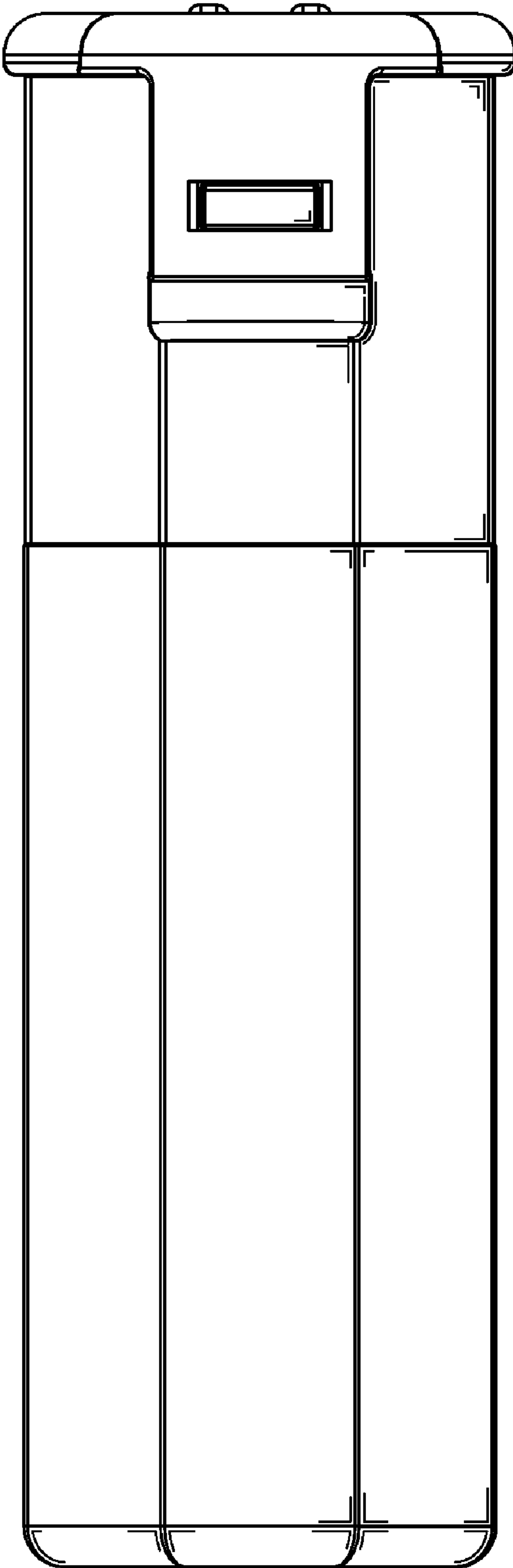


FIG.5

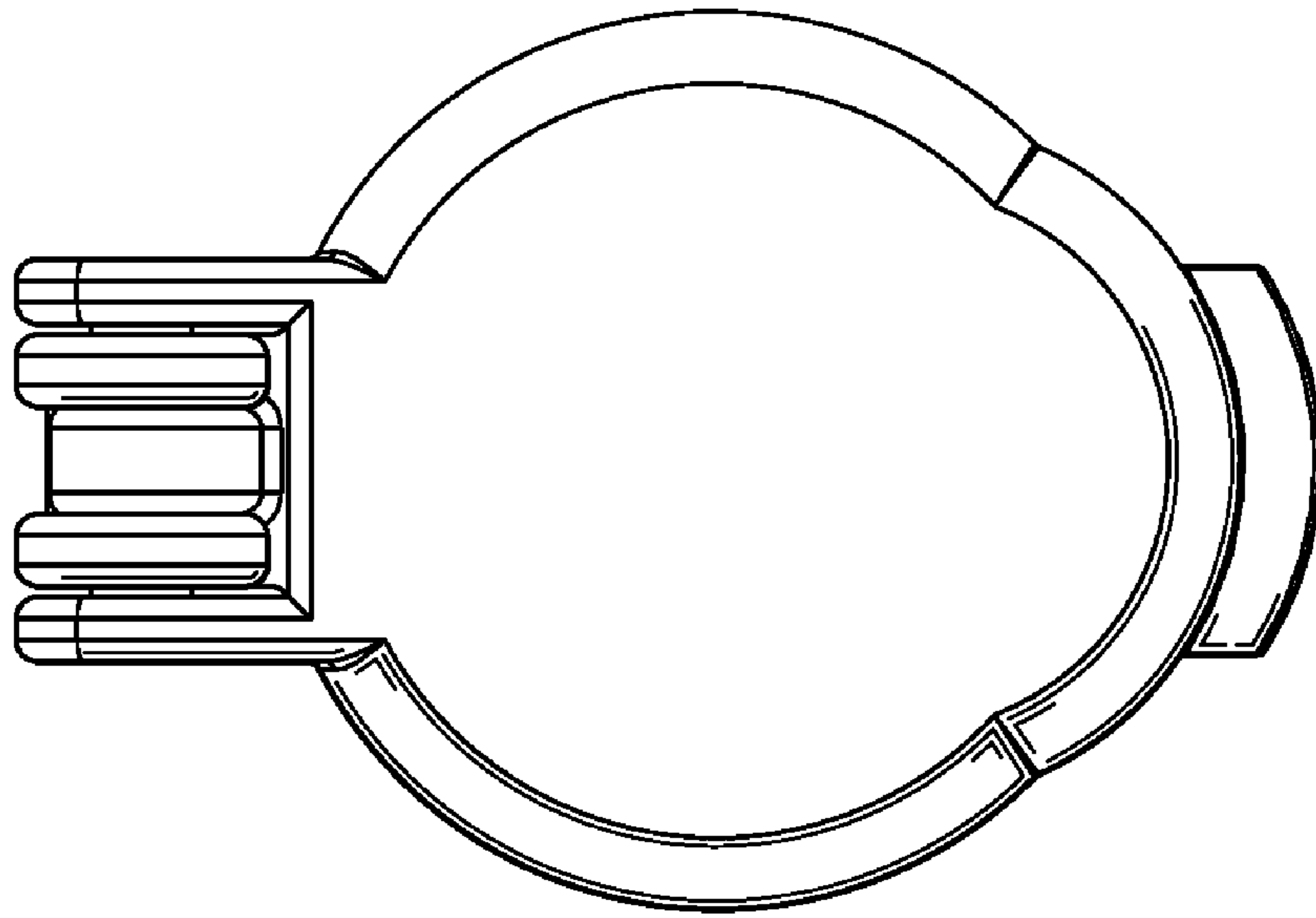


FIG. 6

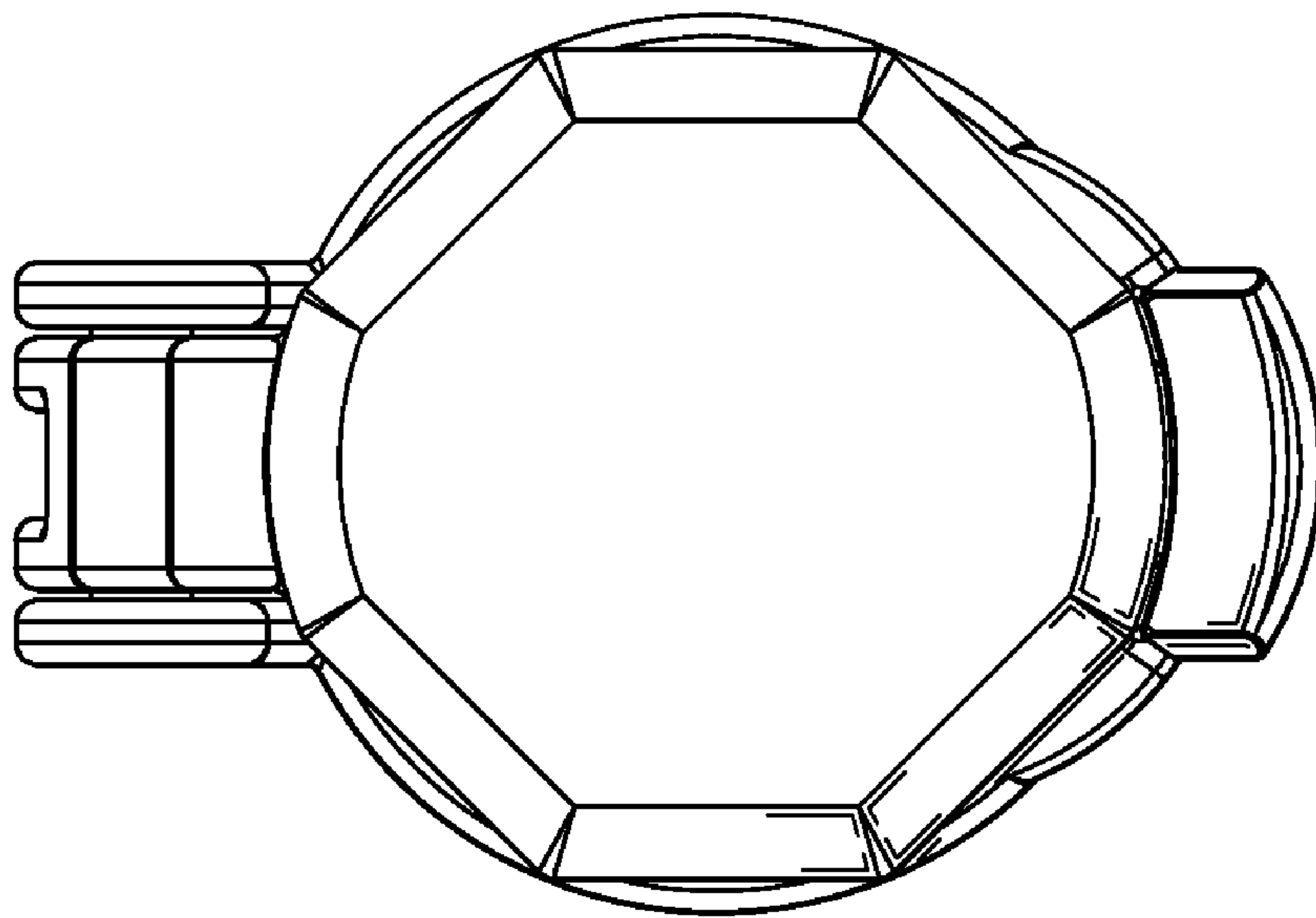


FIG. 7