



US00D640342S

(12) **United States Design Patent**  
**Fitzpatrick et al.**

(10) **Patent No.:** **US D640,342 S**

(45) **Date of Patent:** **\*\* Jun. 21, 2011**

(54) **STOCK FOR A FIREARM**

(75) Inventors: **Richard M. Fitzpatrick**, Denver, CO (US); **Michael T. Mayberry**, Denver, CO (US); **Eric C. Burt**, Broomfield, CO (US)

(73) Assignee: **Magpul Industries Corp.**, Boulder, CO (US)

(\*\*) Term: **14 Years**

(21) Appl. No.: **29/337,528**

(22) Filed: **May 23, 2009**

**Related U.S. Application Data**

(63) Continuation-in-part of application No. 12/364,474, filed on Feb. 2, 2009.

(51) **LOC (9) Cl.** ..... **22-01**

(52) **U.S. Cl.** ..... **D22/108**

(58) **Field of Classification Search** ..... D22/100, D22/101, 103, 104, 108, 199; D21/572, D21/573; 42/51, 71.01, 71.02, 73, 75.01, 42/75.02, 90; 362/160; 33/241; 313/105 R; 89/40.06, 37.04, 33.04; 124/66, 67, 74  
See application file for complete search history.

(56) **References Cited**

**U.S. PATENT DOCUMENTS**

6,598,330 B2 \* 7/2003 Garrett et al. .... 42/85  
6,637,141 B1 \* 10/2003 Weatherby et al. .... 42/75.03  
D517,637 S \* 3/2006 Murello et al. .... D22/103  
7,162,823 B2 \* 1/2007 Schoppman et al. .... 42/75.01  
2008/0028662 A1 \* 2/2008 Abraham et al. .... 42/73

2008/0168695 A1 \* 7/2008 Nakayama ..... 42/75.02  
2008/0236016 A1 \* 10/2008 Fitzpatrick et al. .... 42/71.01  
2008/0236017 A1 \* 10/2008 Fitzpatrick et al. .... 42/73

\* cited by examiner

*Primary Examiner* — T. Chase Nelson

*Assistant Examiner* — Michael A Pratt

(74) *Attorney, Agent, or Firm* — Geoffrey E. Dobbin

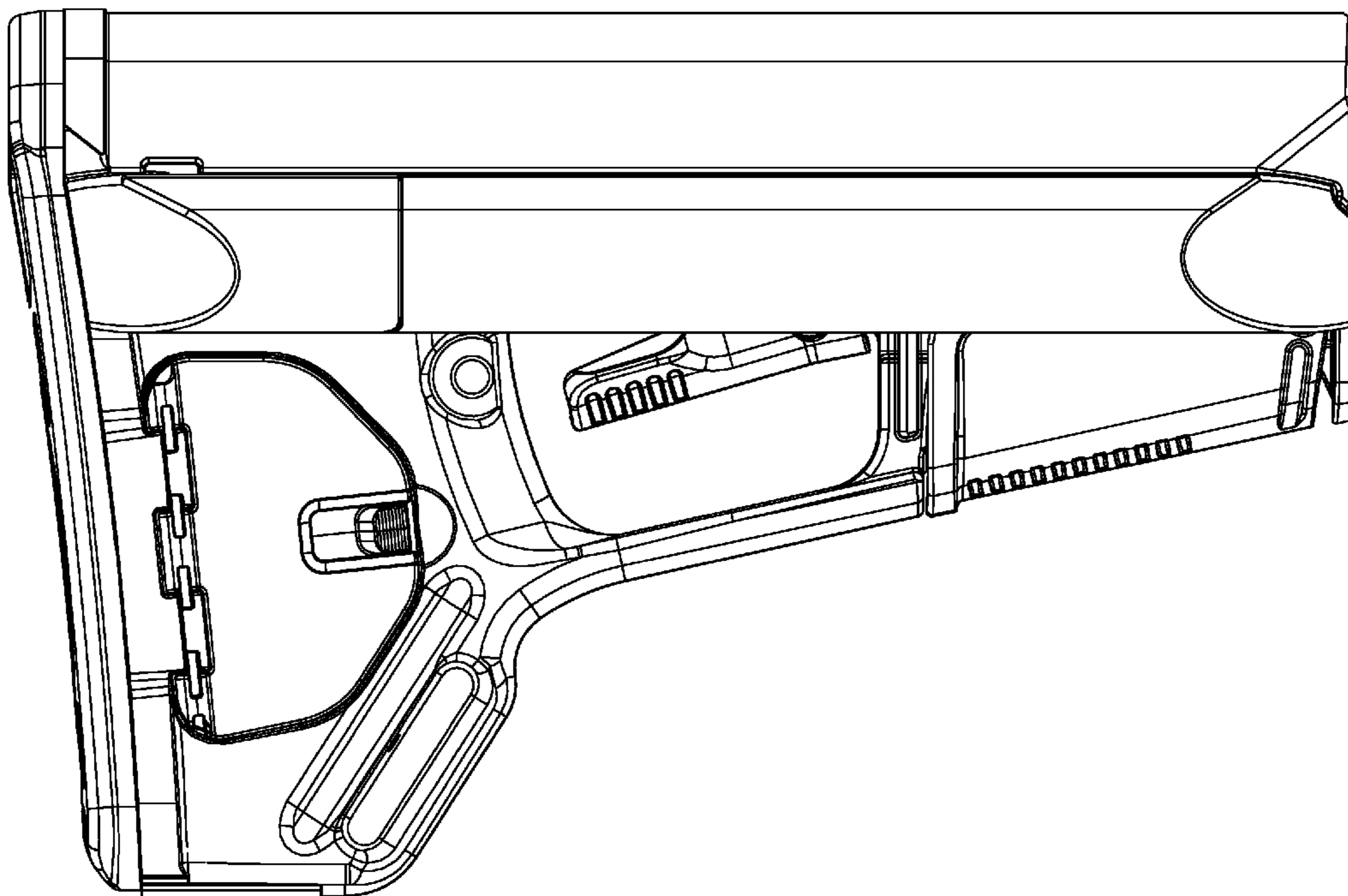
(57) **CLAIM**

The ornamental design for a stock for a firearm, as shown and described.

**DESCRIPTION**

FIG. 1 is a right elevation view of the stock.  
FIG. 2 is a left elevation view of the stock.  
FIG. 3 is a front elevation view of the stock.  
FIG. 4 is a rear elevation view of the stock.  
FIG. 5 is a top plan view of the stock.  
FIG. 6 is a bottom plan view of the stock.  
FIG. 7 is a lower/front/right perspective view of the stock.  
FIG. 8 is a lower/front/left perspective view of the stock.  
FIG. 9 is an upper/front/right perspective view of the stock.  
FIG. 10 is an upper/front/left perspective view of the stock.  
FIG. 11 is an upper/rear/right perspective view of the stock.  
FIG. 12 is an upper/rear/left perspective view of the stock.  
FIG. 13 is a lower/rear/right perspective view of the stock; and,  
FIG. 14 is a lower/rear/left perspective view of the stock.  
The broken lines of FIGS. 3 and 7–10 are used to depict internal structure of the stock. They are included for the purpose of illustrating environment and form no part of the claimed design.

**1 Claim, 8 Drawing Sheets**



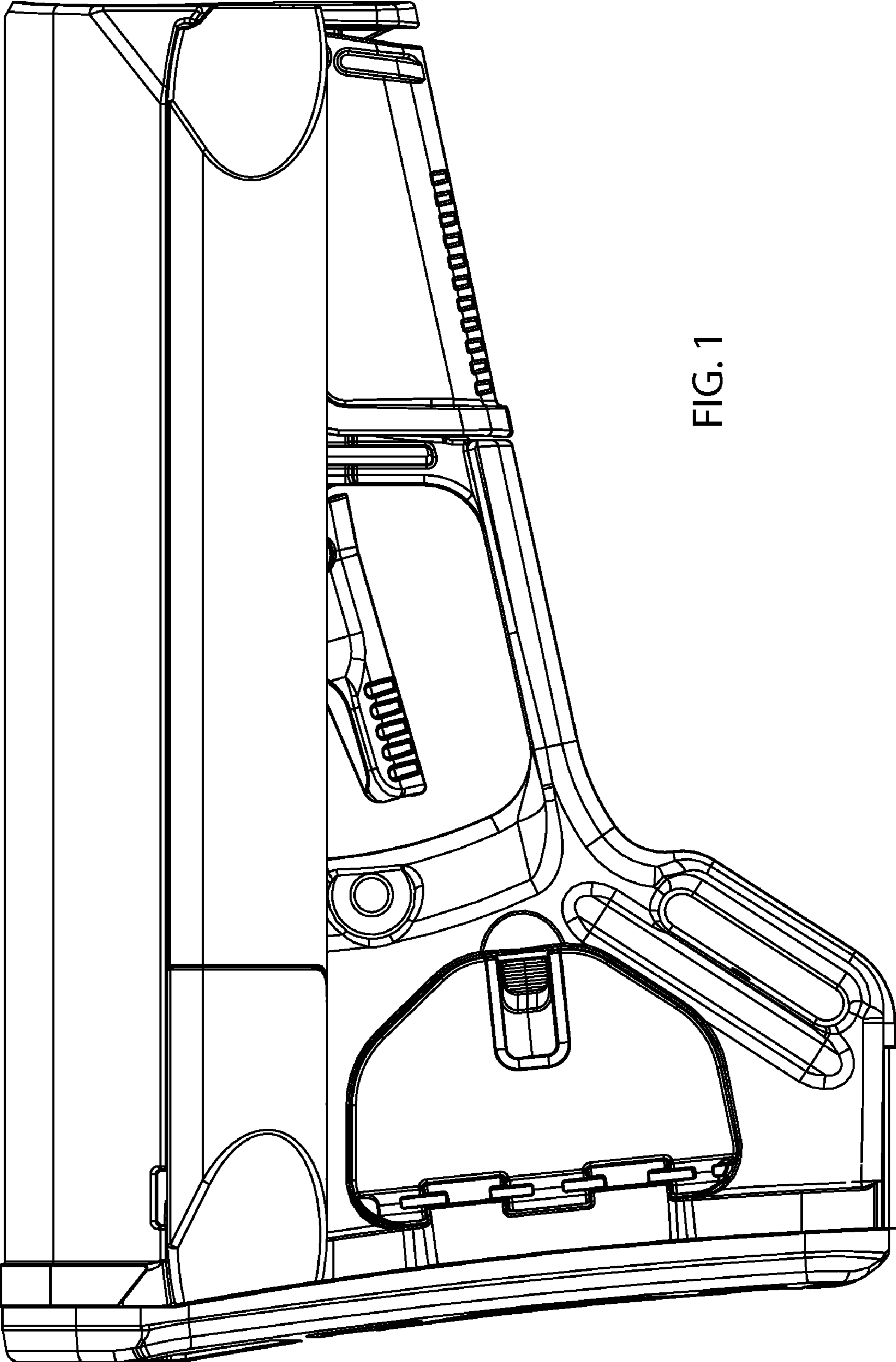


FIG. 1

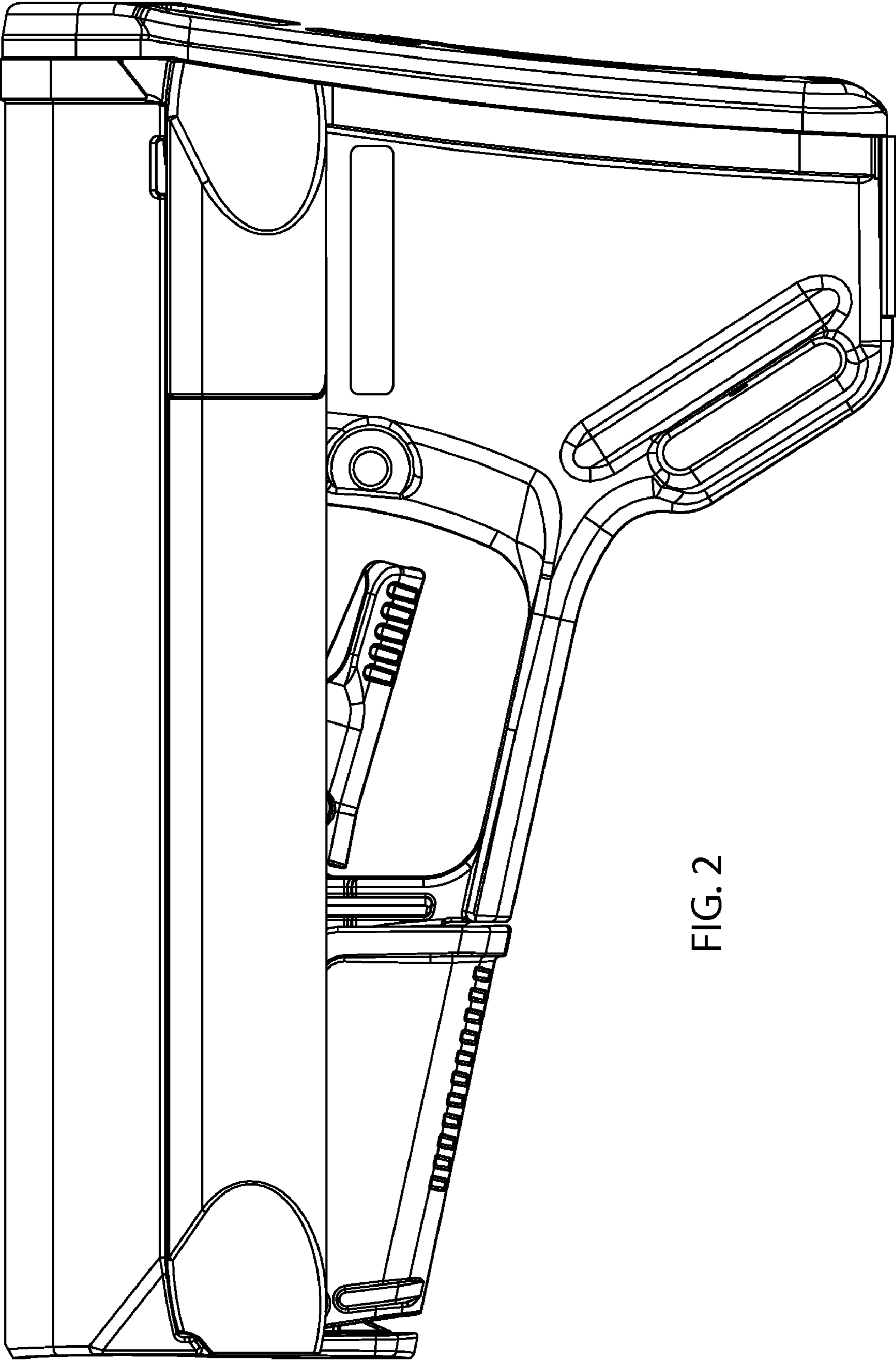


FIG. 2

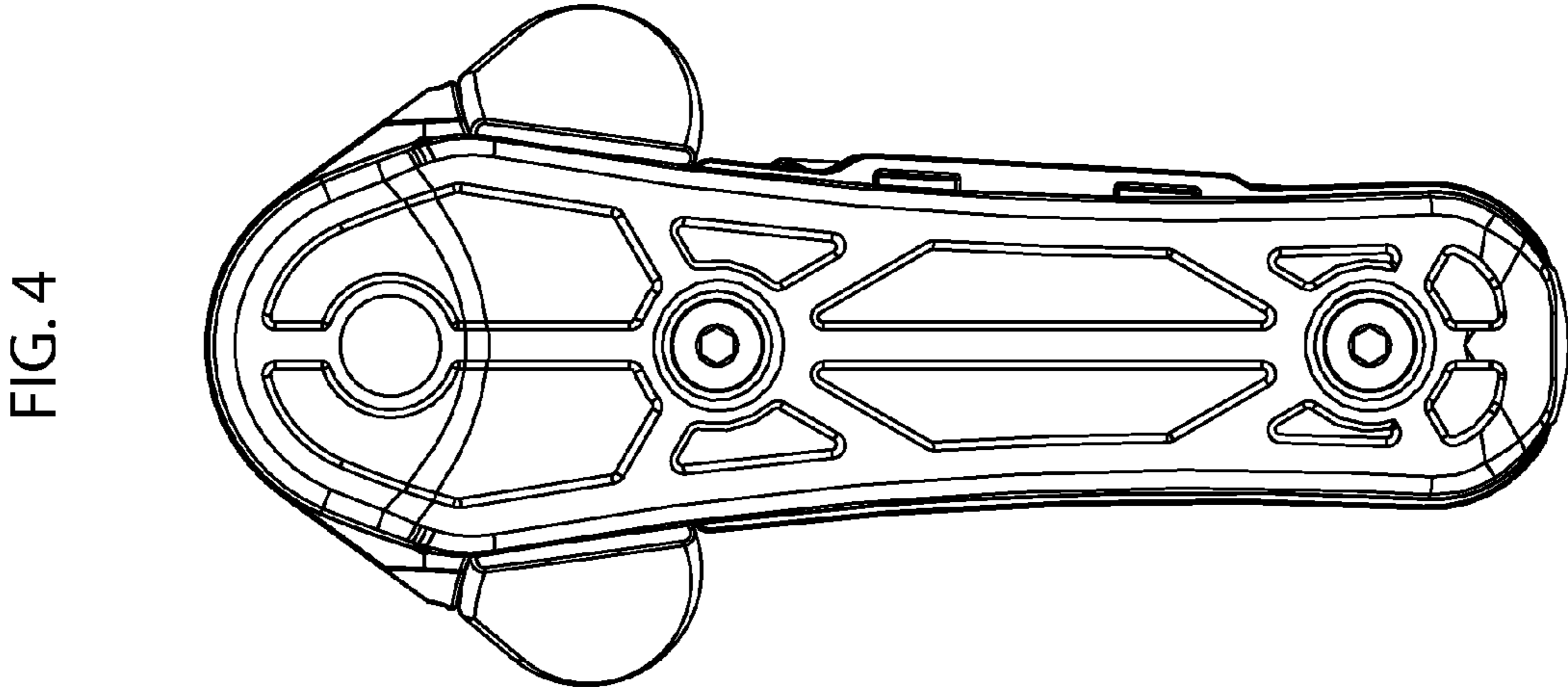


FIG. 4

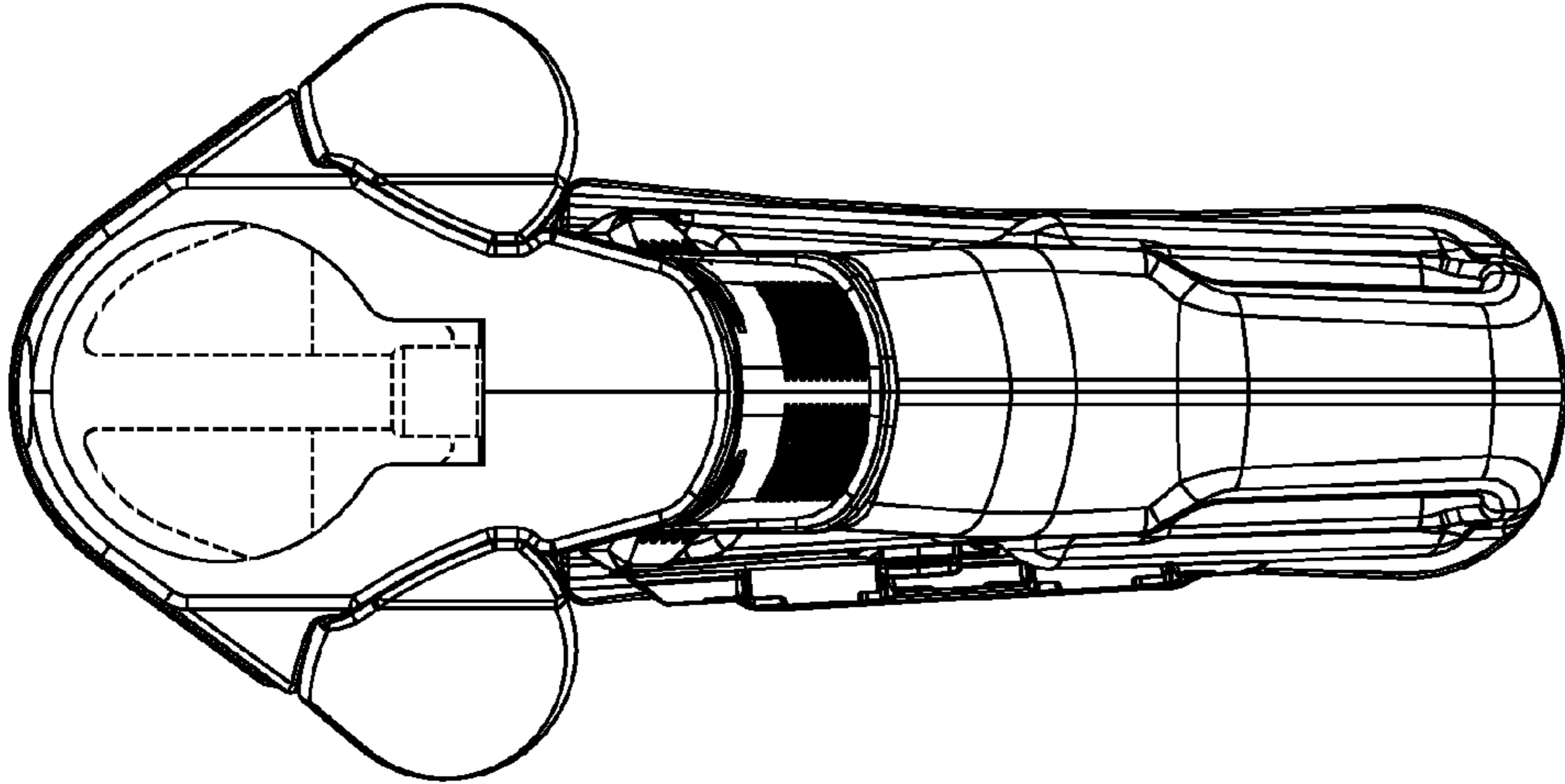


FIG. 3



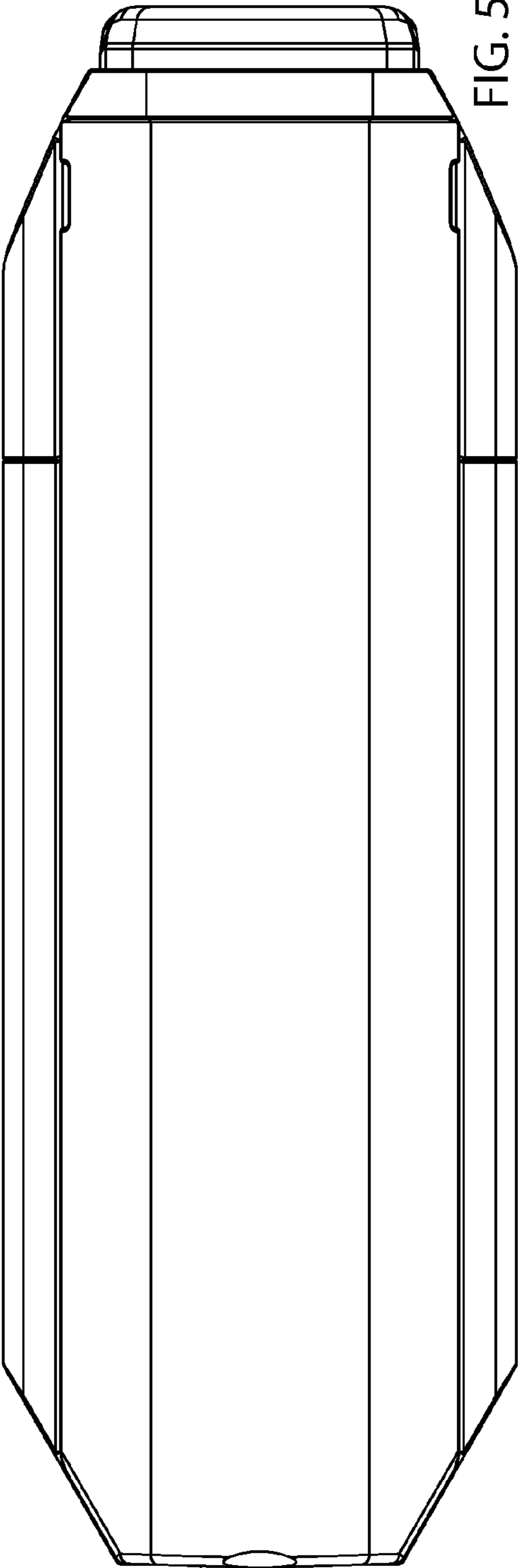


FIG. 5

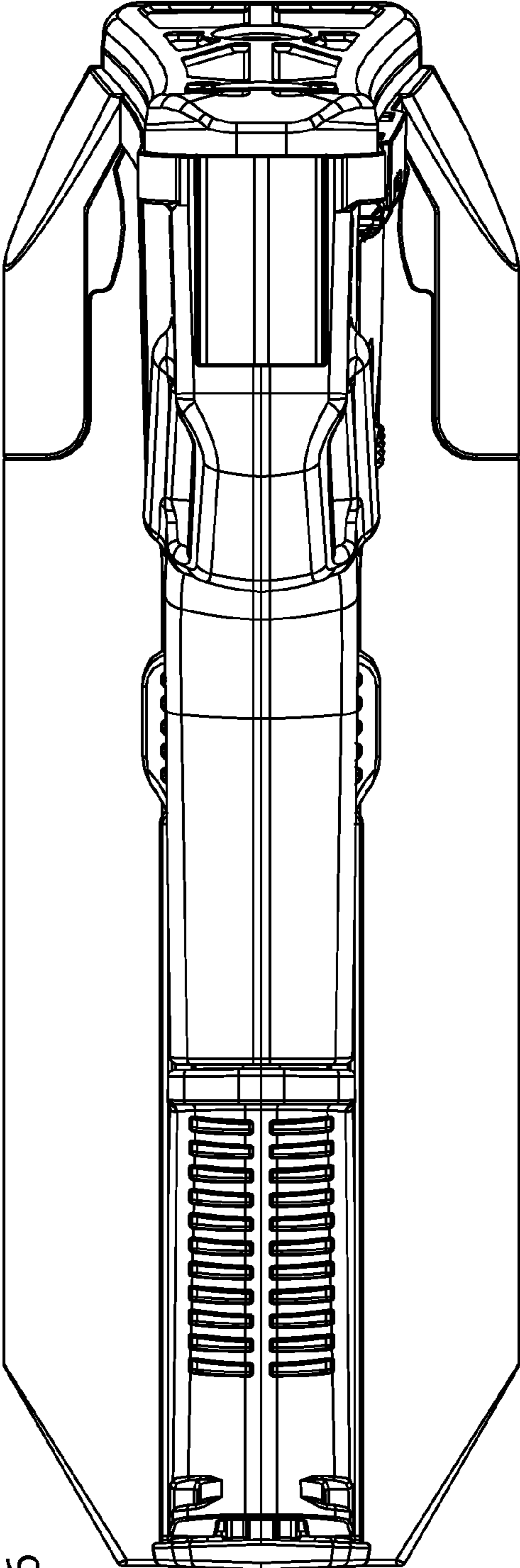


FIG. 6

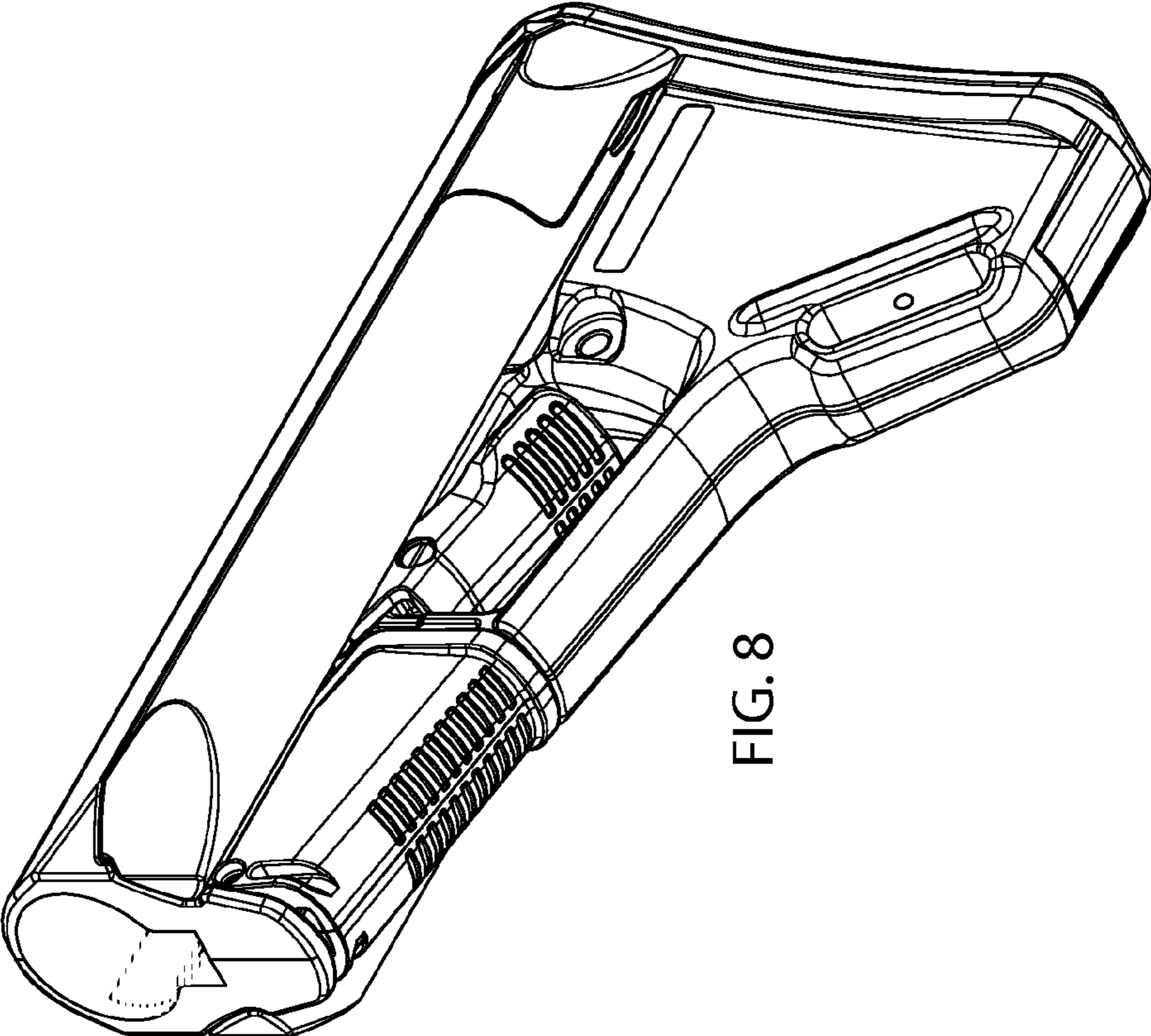


FIG. 8

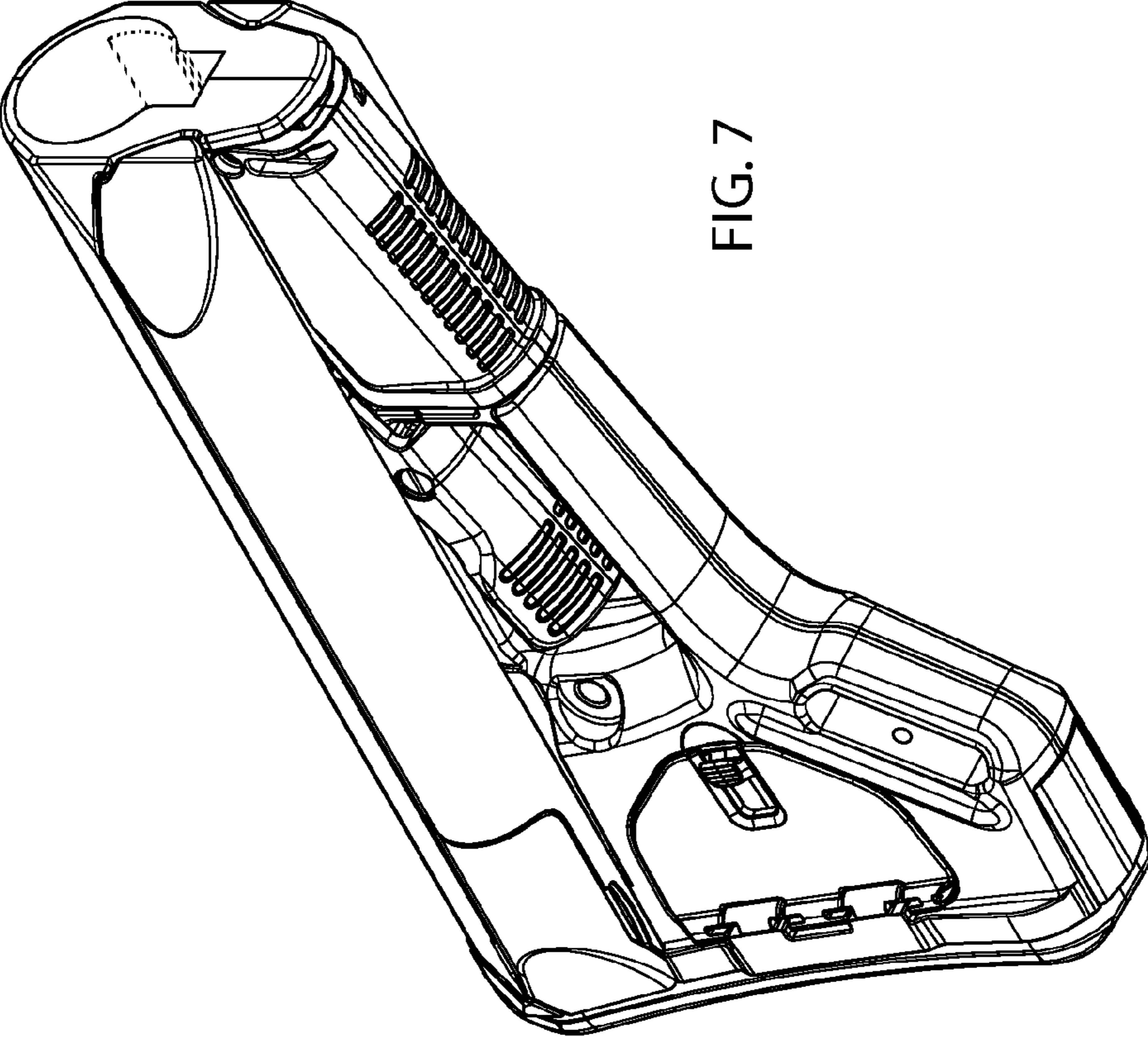


FIG. 7

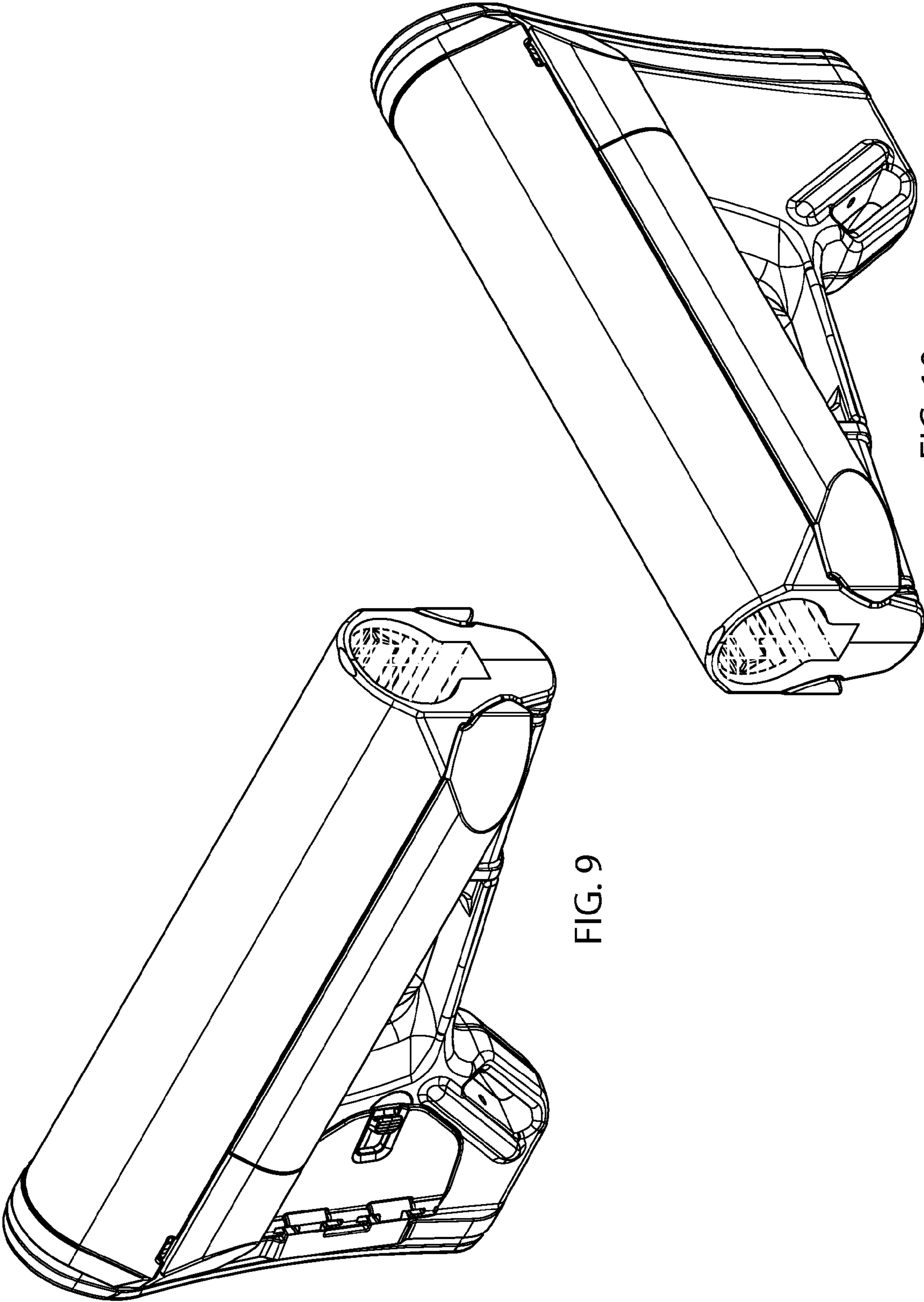


FIG. 9

FIG. 10



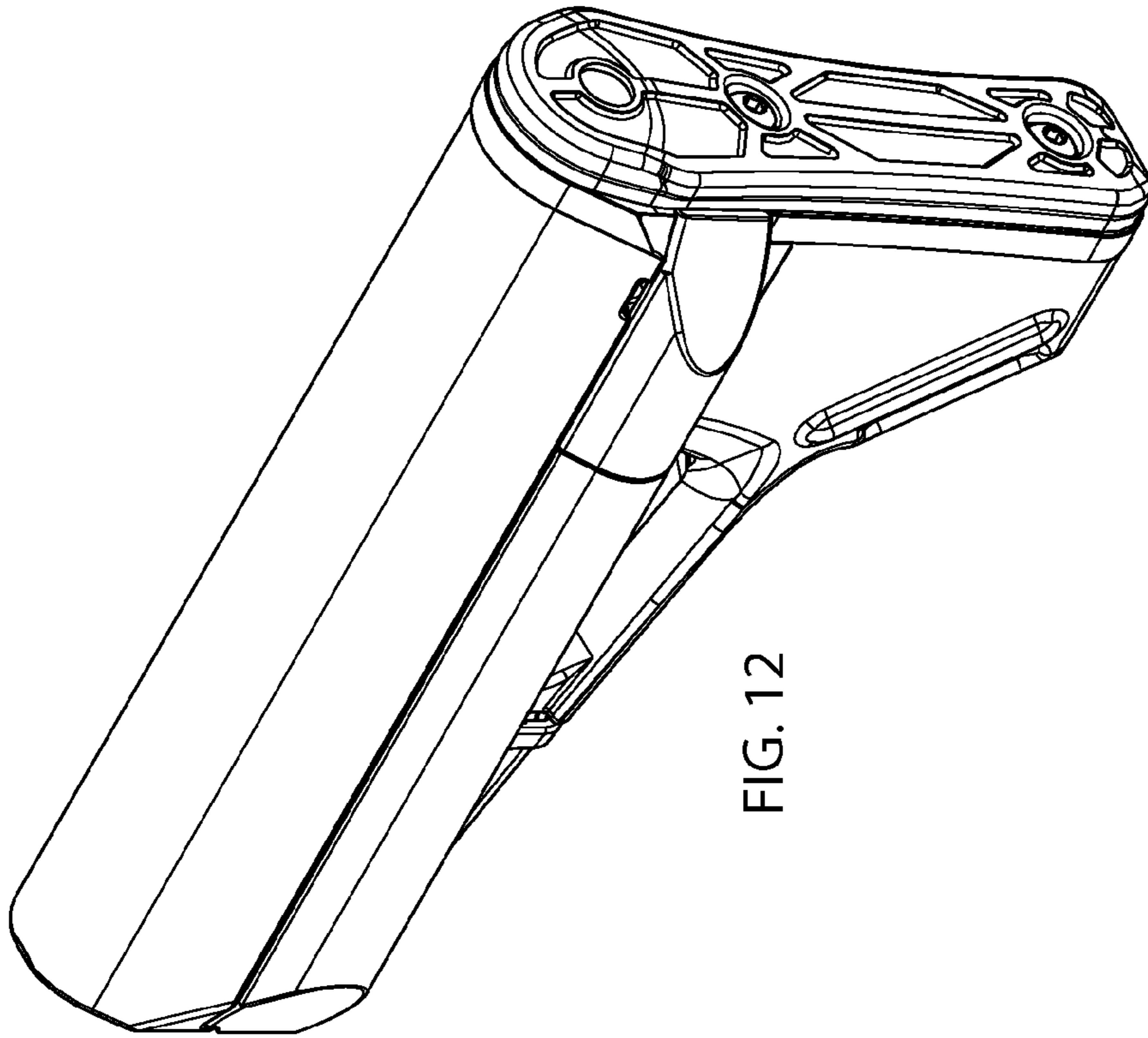


FIG. 12

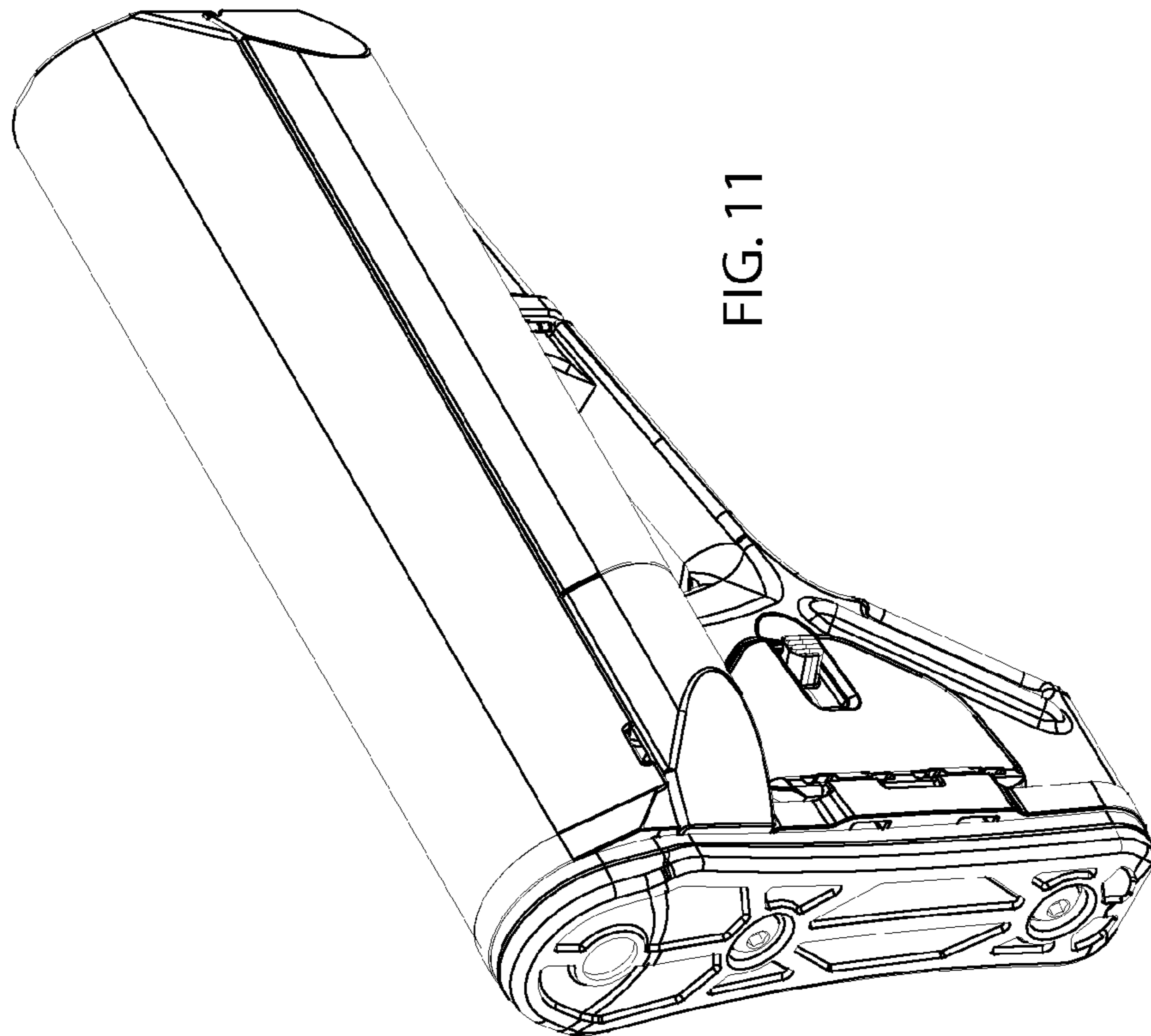


FIG. 11



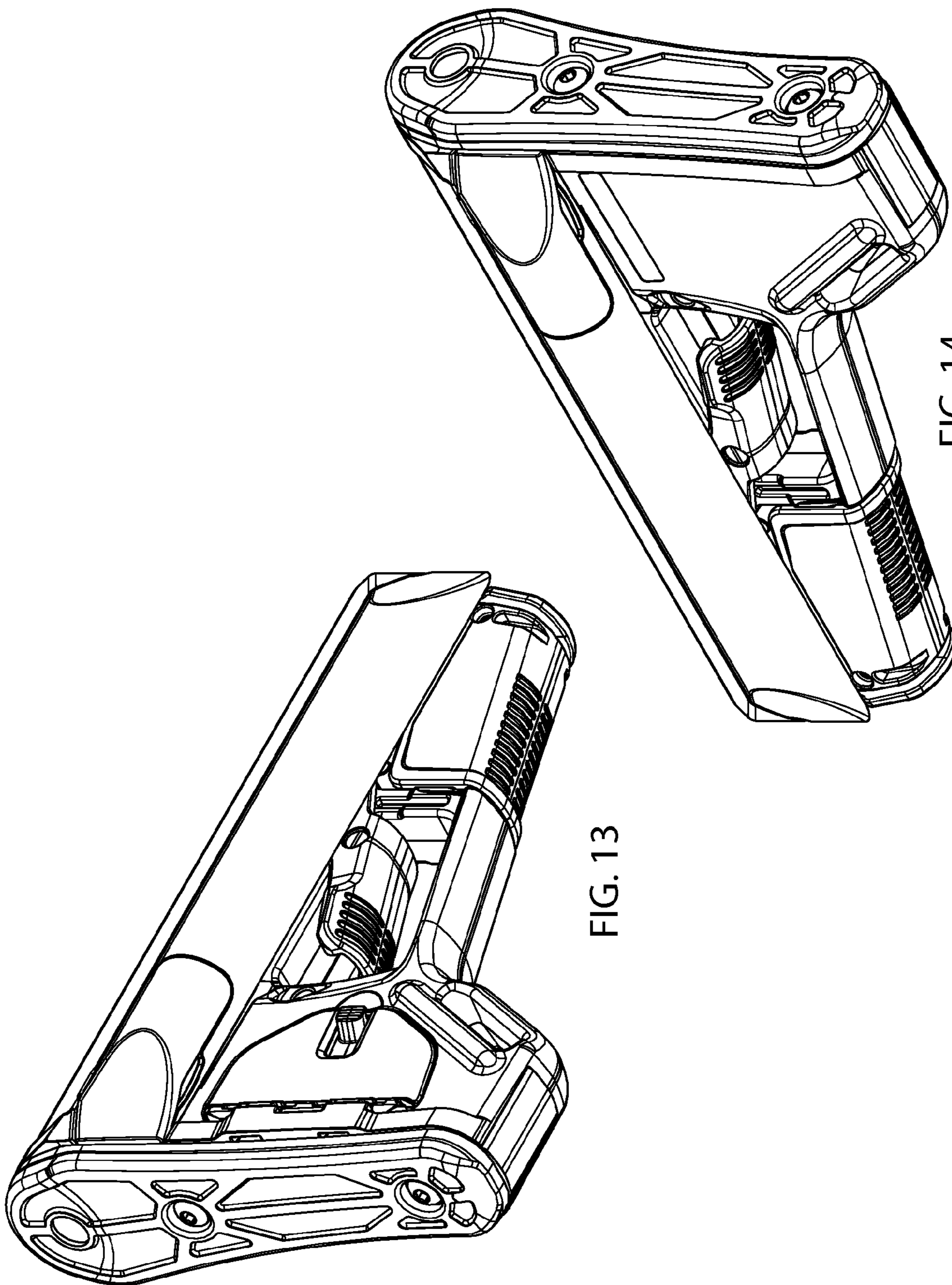


FIG. 13

FIG. 14