



US00D640341S

(12) **United States Design Patent**
Foster et al.

(10) **Patent No.:** **US D640,341 S**
(45) **Date of Patent:** **** Jun. 21, 2011**

(54) **PUTTER HEAD**

D532,847 S * 11/2006 Rollinson D21/736
D569,462 S * 5/2008 Rollinson D21/744
D595,372 S * 6/2009 Rollinson D21/736

(75) Inventors: **Philip G. Foster**, Carlsbad, CA (US);
Augustin W. Rollinson, Carlsbad, CA
(US)

* cited by examiner

(73) Assignee: **Callaway Golf Company**, Carlsbad, CA
(US)

Primary Examiner — Mitchell Siegel

(74) *Attorney, Agent, or Firm* — Michael A. Catania;
Rebecca Hanovice; Sonia Lari

(**) Term: **14 Years**

(57) **CLAIM**

(21) Appl. No.: **29/377,069**

The ornamental design for a putter head, as shown and described.

(22) Filed: **Oct. 15, 2010**

DESCRIPTION

(51) **LOC (9) Cl.** **21-02**

(52) **U.S. Cl.** **D21/742**

(58) **Field of Classification Search** D21/736-746;
473/324-331, 340-341, 251-256

See application file for complete search history.

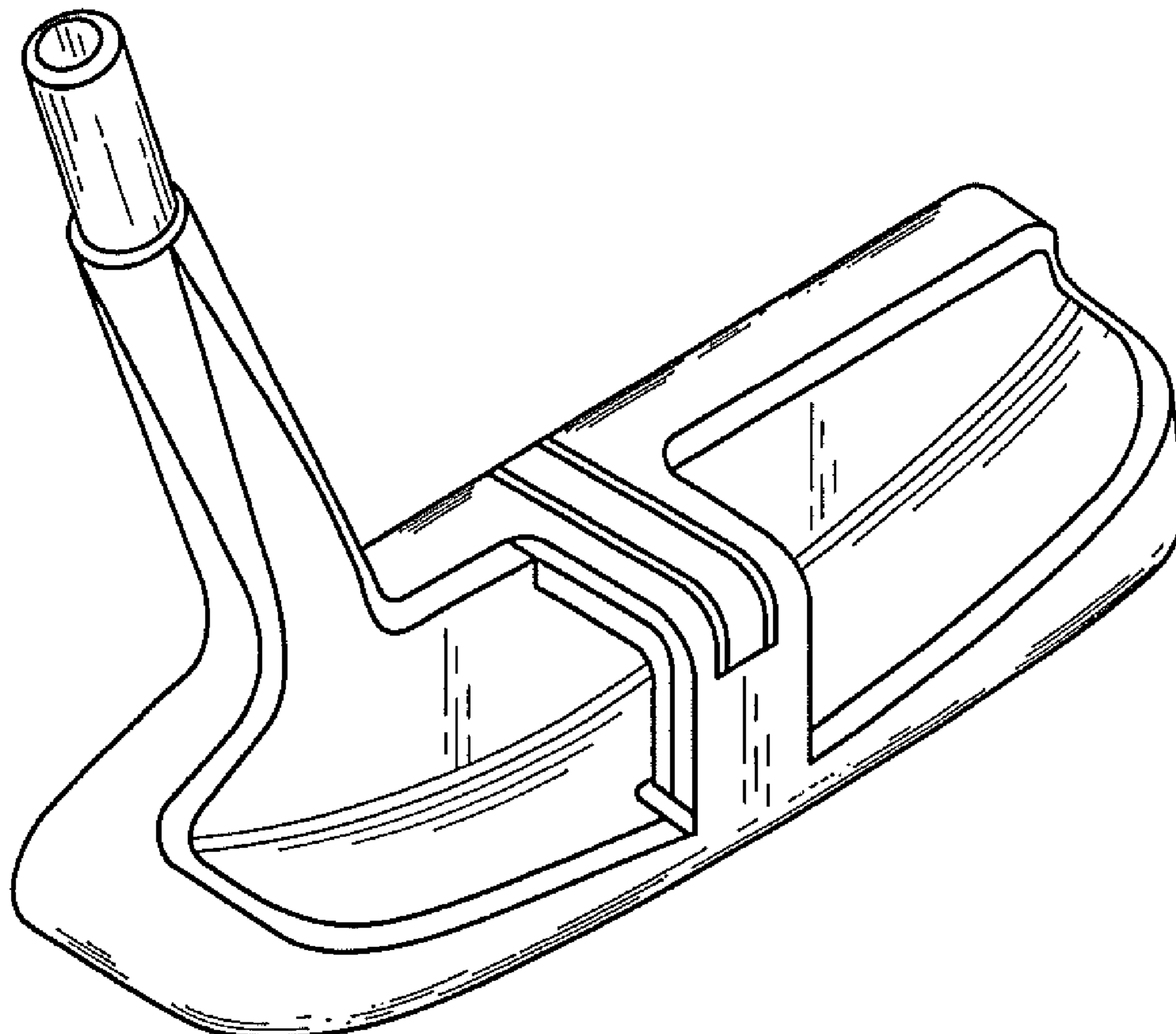
FIG. 1 is a top perspective view of a putter head as claimed herein;
FIG. 2 is a front elevational view thereof;
FIG. 3 is a top plan view thereof;
FIG. 4 is a rear elevational view thereof;
FIG. 5 is a bottom plan view thereof;
FIG. 6 is a toe elevational view thereof; and,
FIG. 7 is a heel elevational view thereof.

(56) **References Cited**

U.S. PATENT DOCUMENTS

5,275,412 A * 1/1994 Innes 473/253
5,685,784 A * 11/1997 Butler 473/340

1 Claim, 2 Drawing Sheets



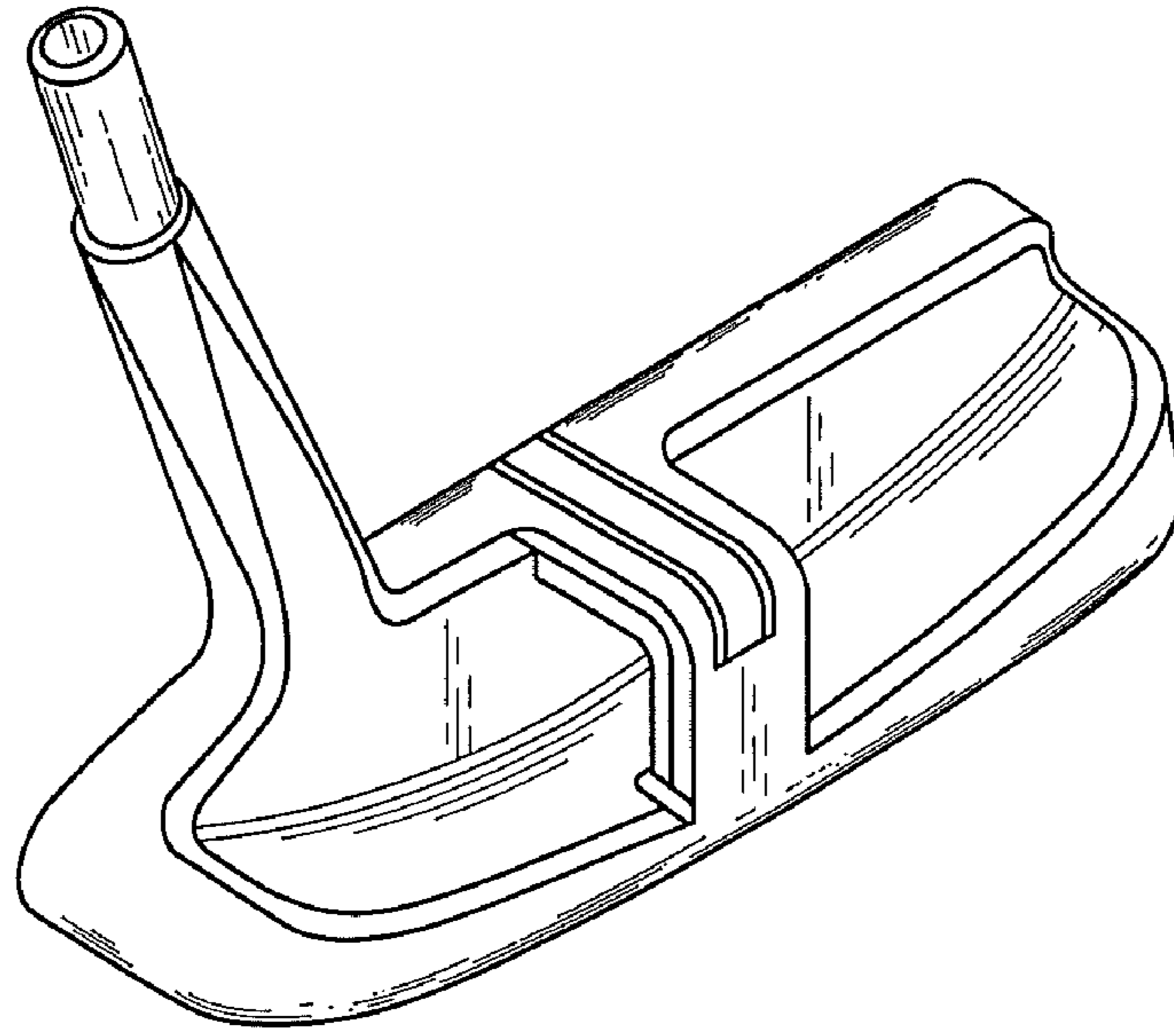


FIG. 1

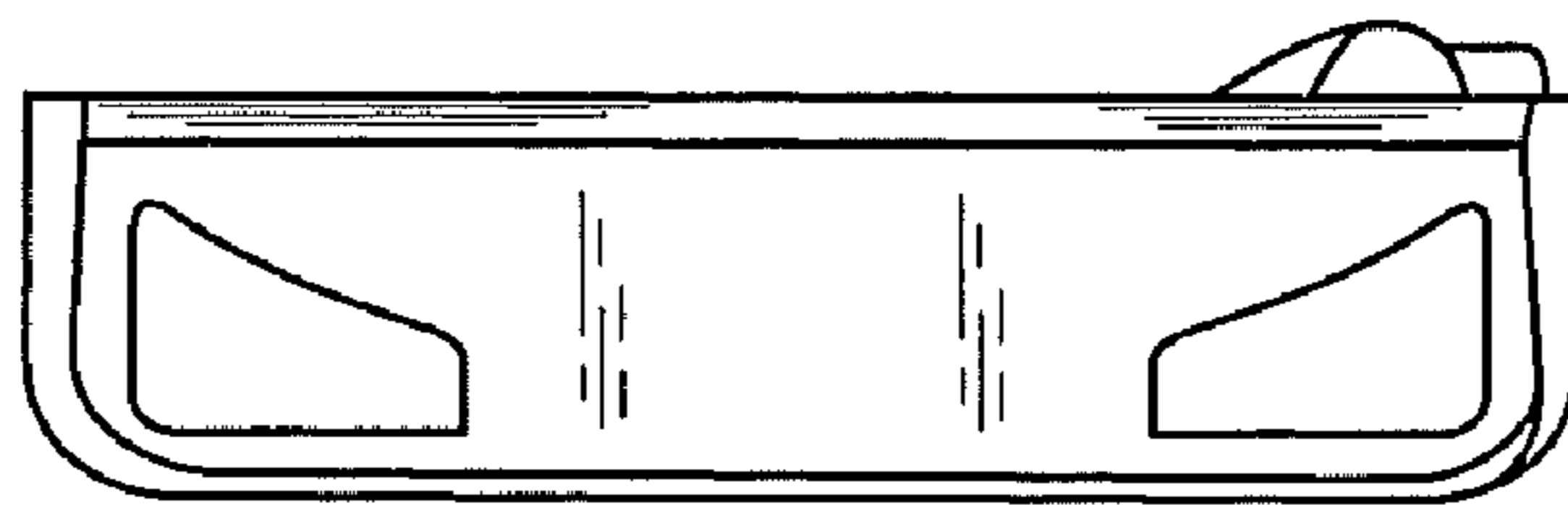


FIG. 2

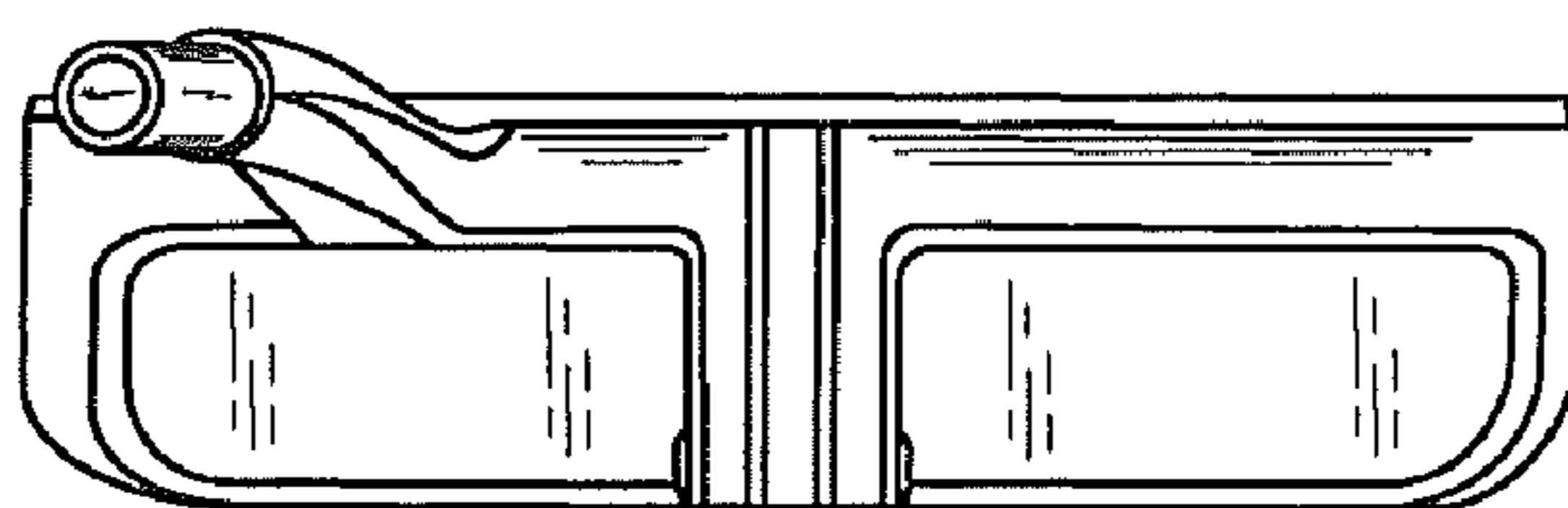


FIG. 3

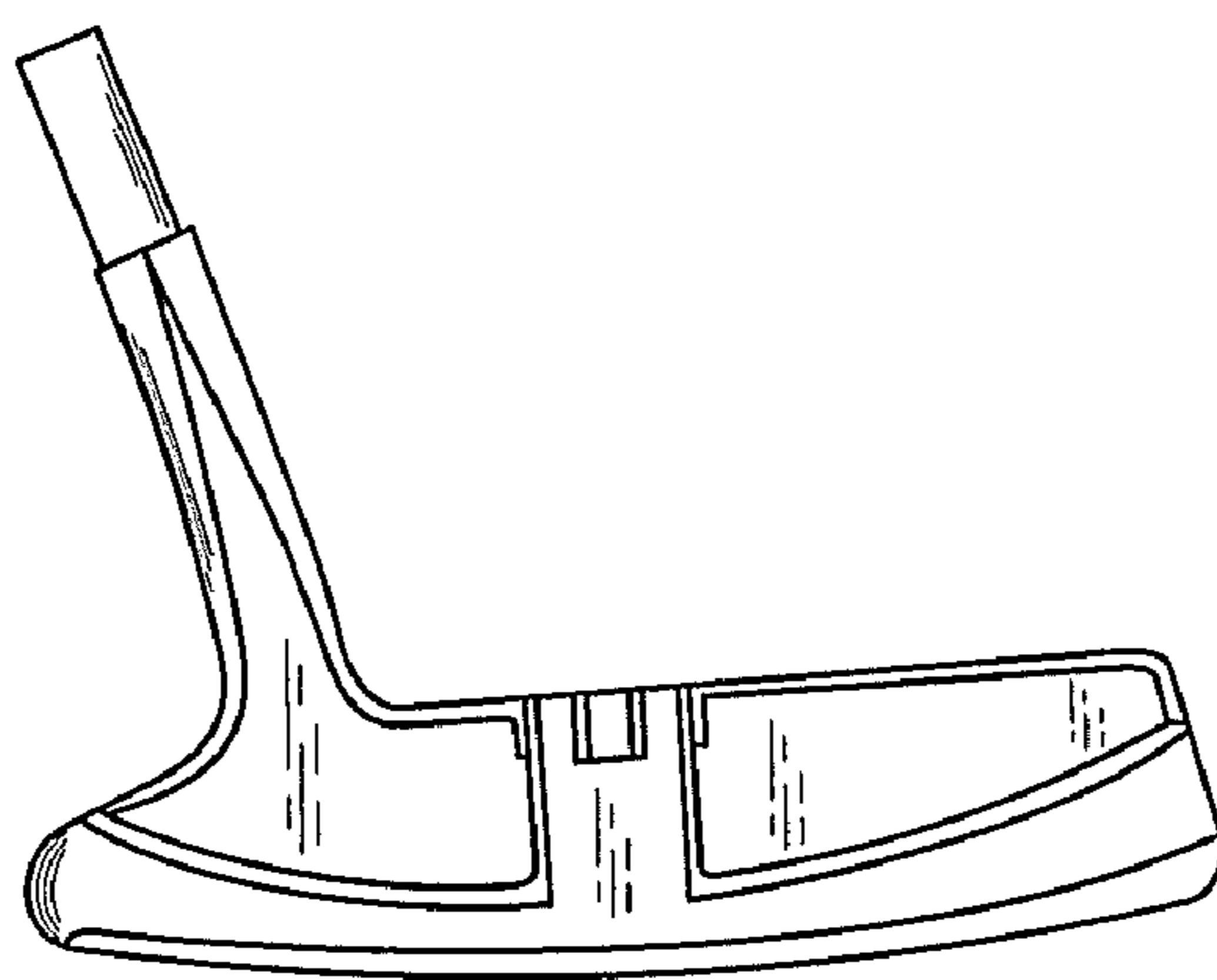


FIG. 4

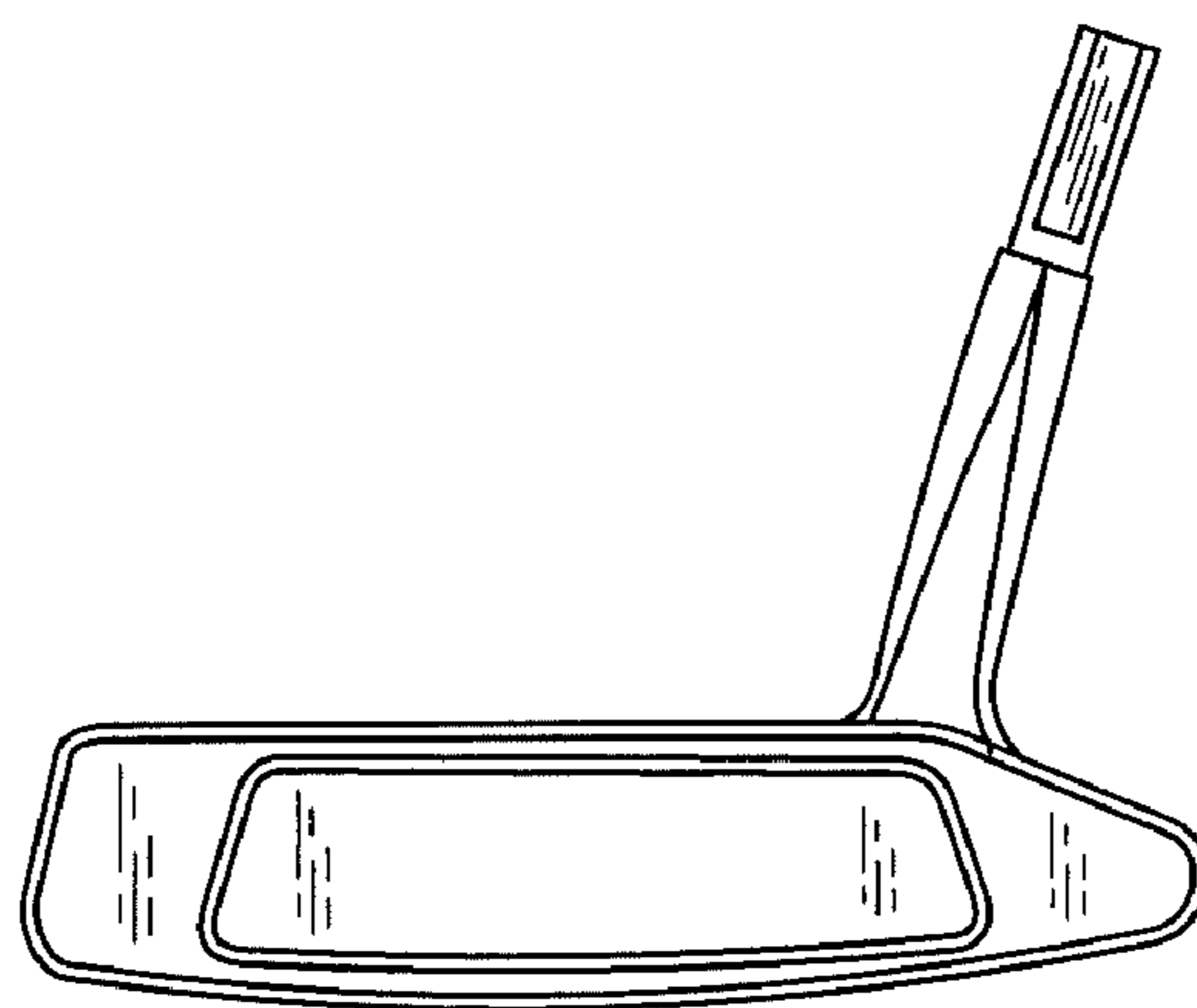


FIG. 5



FIG. 6



FIG. 7