



US00D640330S

(12) **United States Design Patent**  
**Beauregard et al.**

(10) **Patent No.:** **US D640,330 S**  
(45) **Date of Patent:** **\*\* Jun. 21, 2011**

(54) **TOY VEHICLE TRACK RAMP END**

(75) Inventors: **Thierry Beauregard**, Boisbriand (CA);  
**Patrice Paquette**, Melbourne (CA)

(73) Assignee: **MEGA Brands Inc.**, Montreal, Quebec  
(CA)

(\*\*) Term: **14 Years**

(21) Appl. No.: **29/379,295**

(22) Filed: **Nov. 17, 2010**

(51) **LOC (9) Cl.** ..... **21-01**

(52) **U.S. Cl.** ..... **D21/565**

(58) **Field of Classification Search** ..... D21/484,  
D21/490, 493, 564, 565, 802, 818; 446/168-174,  
446/84, 89, 108, 112, 114, 116, 124-128,  
446/429, 444-447; 463/58-69; 238/10 R,  
238/10 A-10 C, 10 E, 10 F; 104/60, 69  
See application file for complete search history.

(56) **References Cited**

**U.S. PATENT DOCUMENTS**

3,464,624 A	9/1969	Christiansen	
3,583,631 A	6/1971	Christiansen	
D261,292 S	10/1981	Tong	
4,403,733 A	9/1983	Bach et al.	
D281,002 S	10/1985	Olsen	
D281,443 S	11/1985	Olsen	
D285,224 S *	8/1986	Olsen	D21/493
D285,325 S *	8/1986	Berggreen	D21/493
D296,803 S	7/1988	Bach et al.	
D296,804 S	7/1988	Bach et al.	
D296,805 S	7/1988	Mikkelsen et al.	
D296,806 S	7/1988	Bach et al.	
4,861,306 A	8/1989	Bolli et al.	
4,932,917 A *	6/1990	Klitsner	446/168
D314,996 S	2/1991	Olsen	
5,087,001 A	2/1992	Bolli et al.	
D325,057 S	3/1992	Plagborg	
D326,880 S	6/1992	Larsen	
D332,642 S	1/1993	Pagel	
D340,102 S *	10/1993	Warren	D21/818
D344,306 S	2/1994	Ruszkai	

D344,307 S	2/1994	Ruszkai	
D344,308 S	2/1994	Ruszkai	
D344,309 S	2/1994	Ruszkai	
D344,310 S	2/1994	Ruszkai	
D344,554 S	2/1994	Ruszkai	
D344,555 S	2/1994	Ruszkai	
D344,992 S	3/1994	Ruszkai	
D357,714 S	4/1995	Ryaa	
5,564,962 A *	10/1996	Navarrete Espinosa	446/128
5,657,695 A	8/1997	Lanoix et al.	
D388,138 S	12/1997	Lanoix et al.	
D409,690 S	5/1999	Nielsen	
D409,691 S	5/1999	Harms	
D411,594 S *	6/1999	Harms	D21/564
D412,949 S	8/1999	Nielsen	
D438,280 S *	2/2001	Robertson et al.	D21/818
D451,568 S *	12/2001	Gordon	D21/802
6,616,500 B1	9/2003	Harms et al.	
D514,652 S *	2/2006	Auberger	D21/818
D557,369 S *	12/2007	Robinson	D21/818

\* cited by examiner

*Primary Examiner* — Cynthia M Chin

(74) *Attorney, Agent, or Firm* — Plumsea Law Group, LLC

(57) **CLAIM**

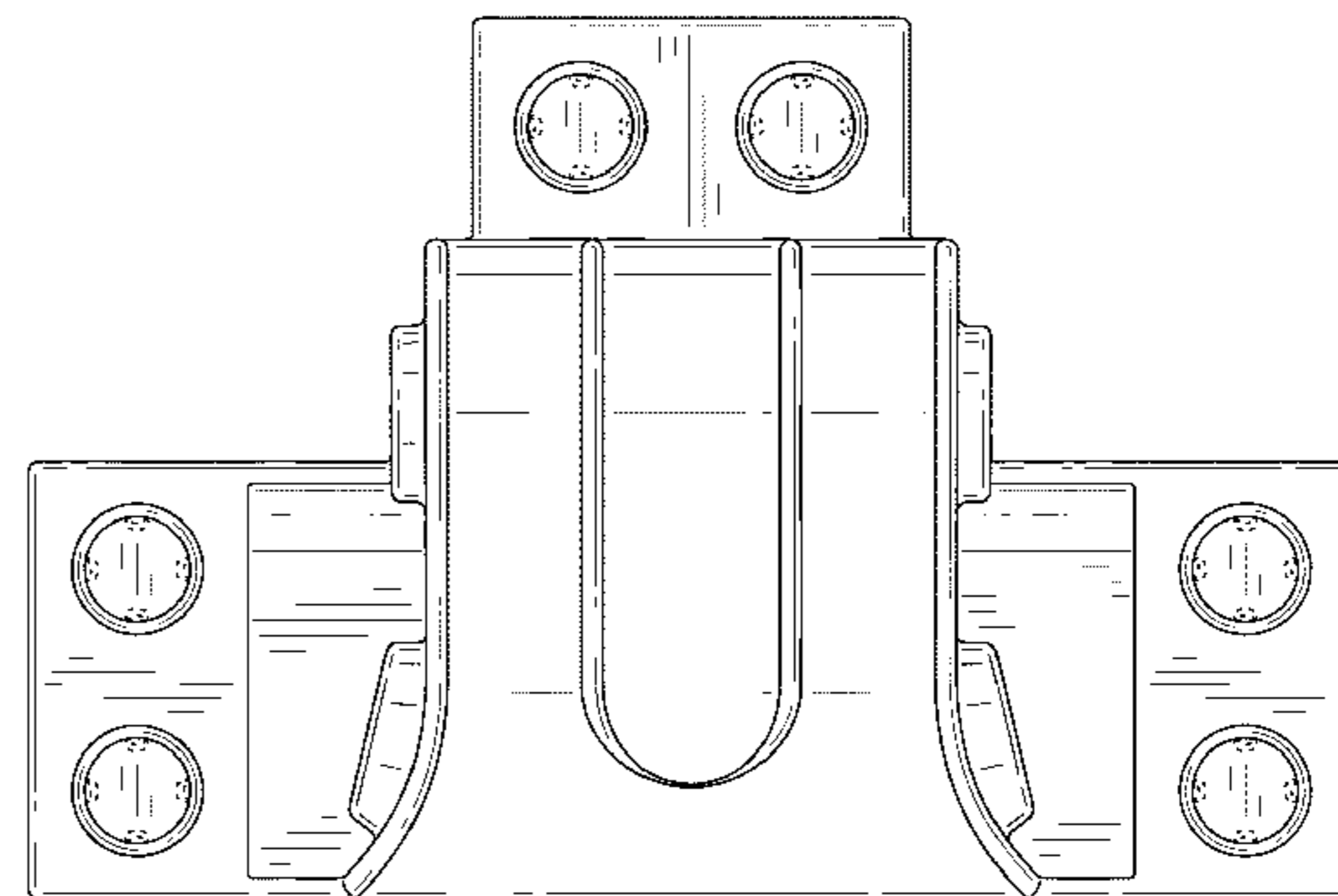
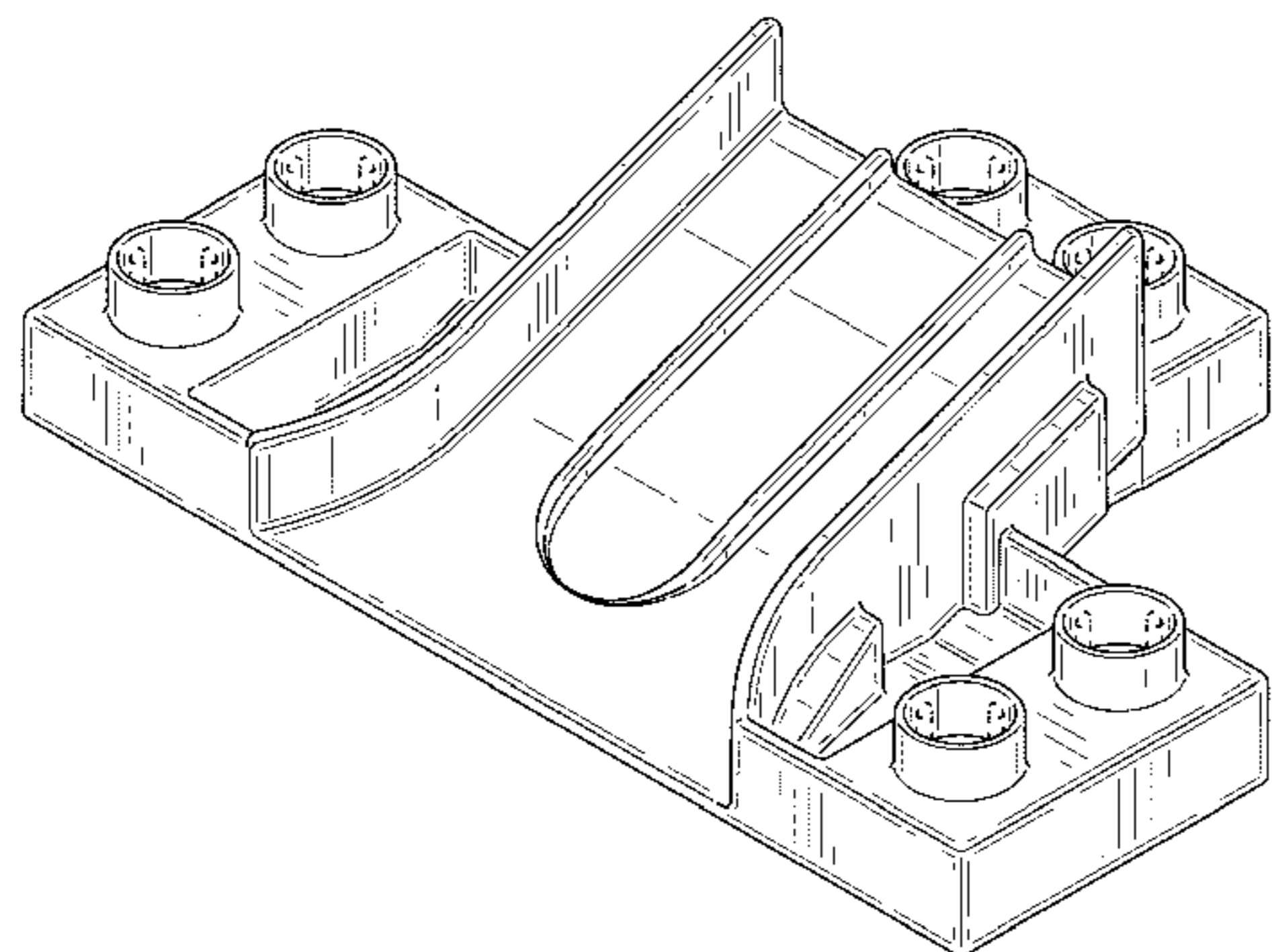
We claim the ornamental design for a toy vehicle track ramp end, as shown and described.

**DESCRIPTION**

FIG. 1 is a top perspective view of the toy vehicle track ramp end;  
FIG. 2 is a front elevational view thereof;  
FIG. 3 is a rear elevational view thereof;  
FIG. 4 is a left side elevational view thereof;  
FIG. 5 is a right side elevational view thereof;  
FIG. 6 is a top plan view thereof; and,  
FIG. 7 is a bottom plan view thereof.

The broken or dashed lines shown are included for the purpose of illustrating the unclaimed portions of the article and form no part of the claimed design. The shading illustrated in the figures is provided merely to represent the contour of the design and is not intended to be illustrative of the texture, gloss, or surface decoration.

**1 Claim, 3 Drawing Sheets**



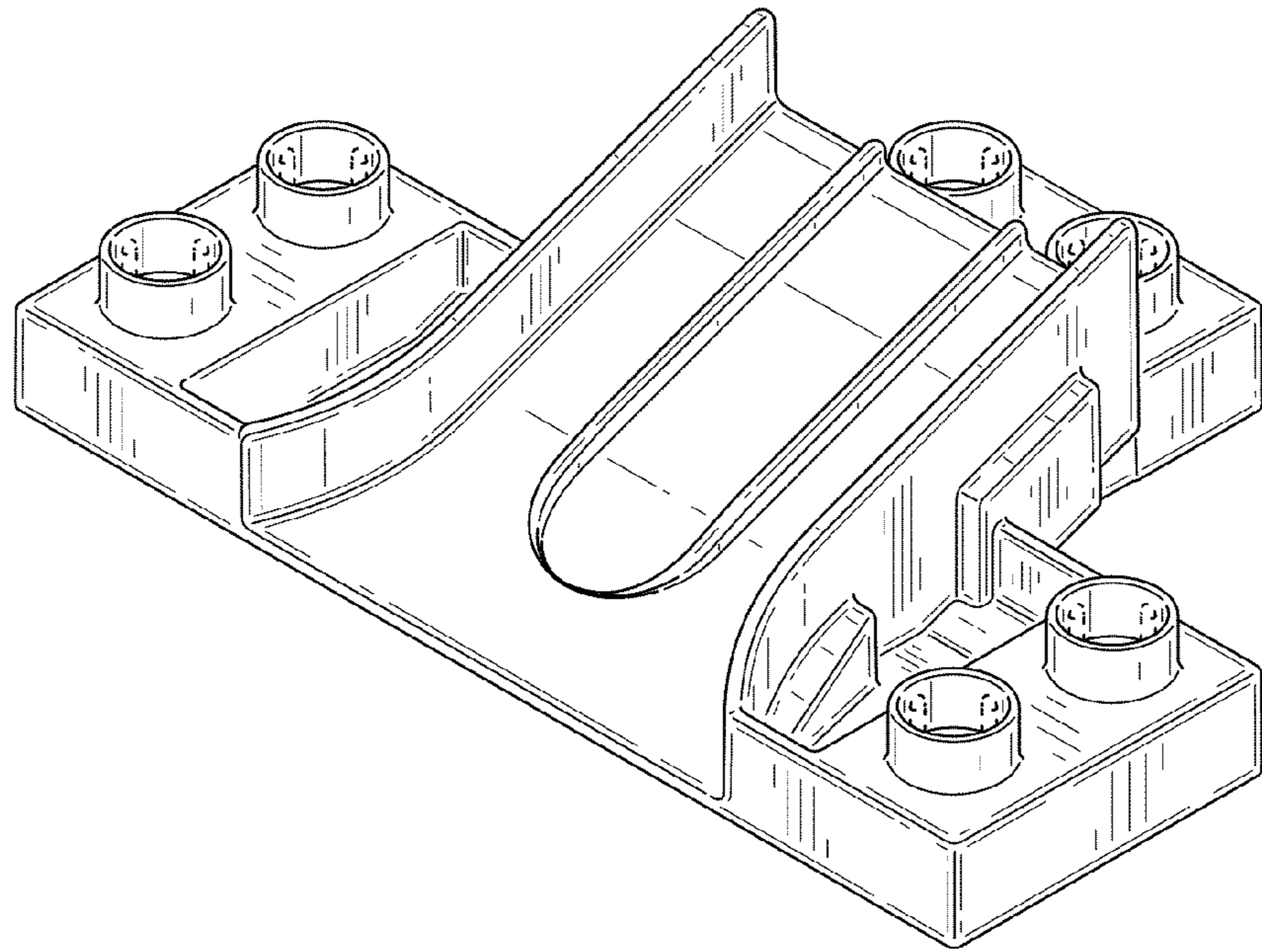


Fig. 1

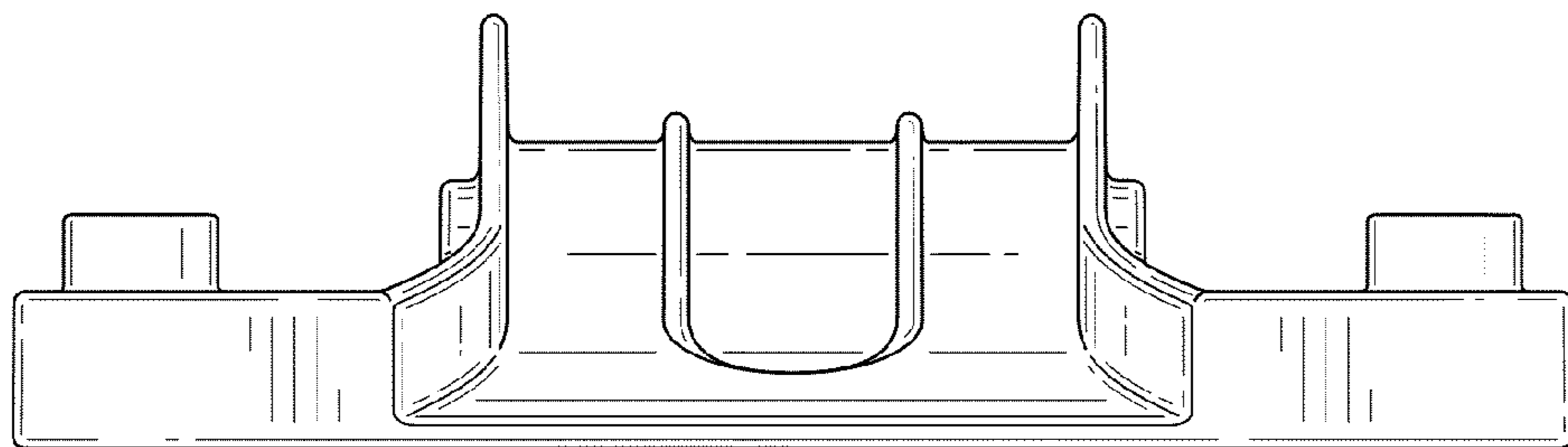


Fig. 2

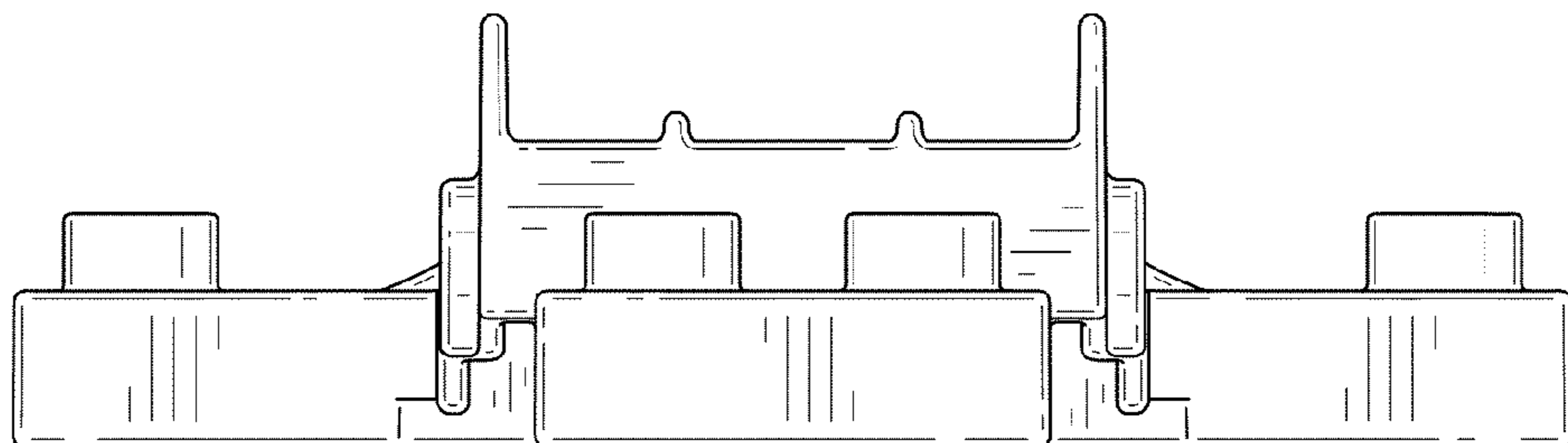


Fig. 3

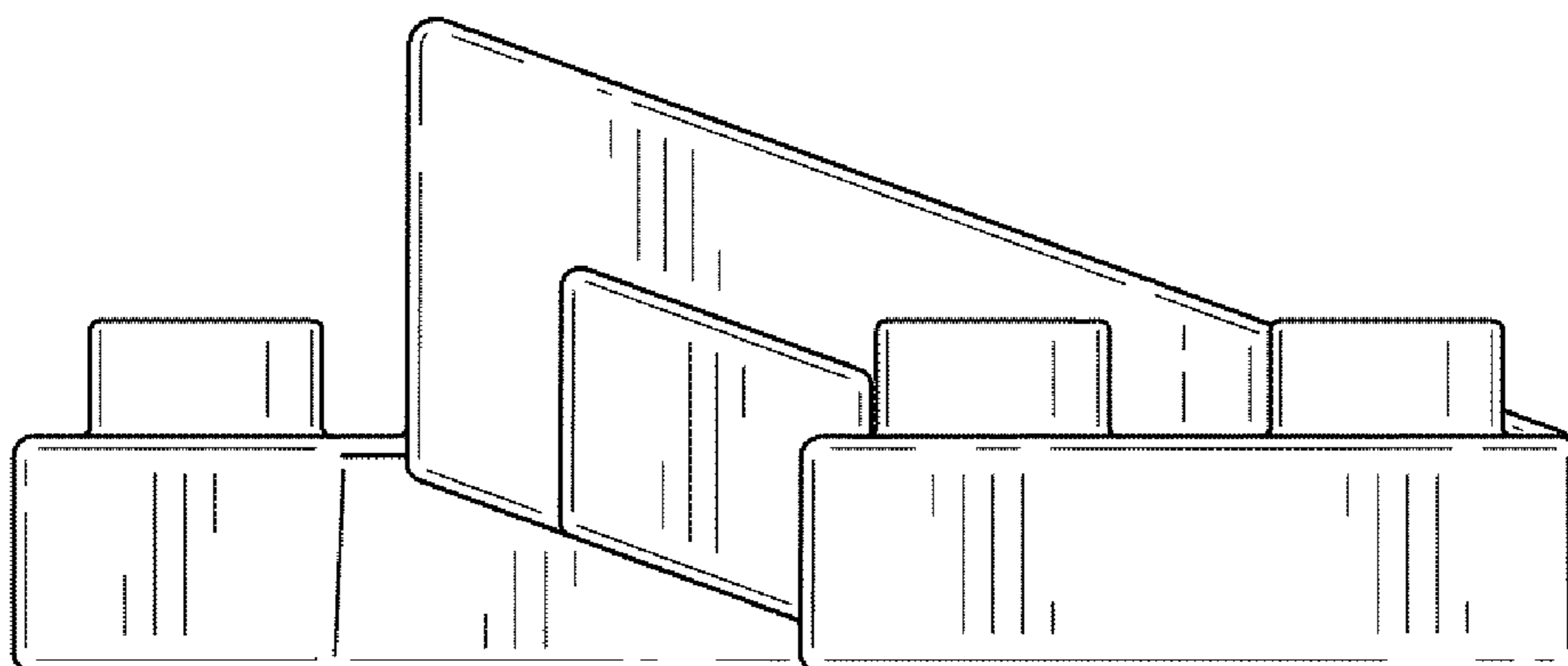


Fig. 4

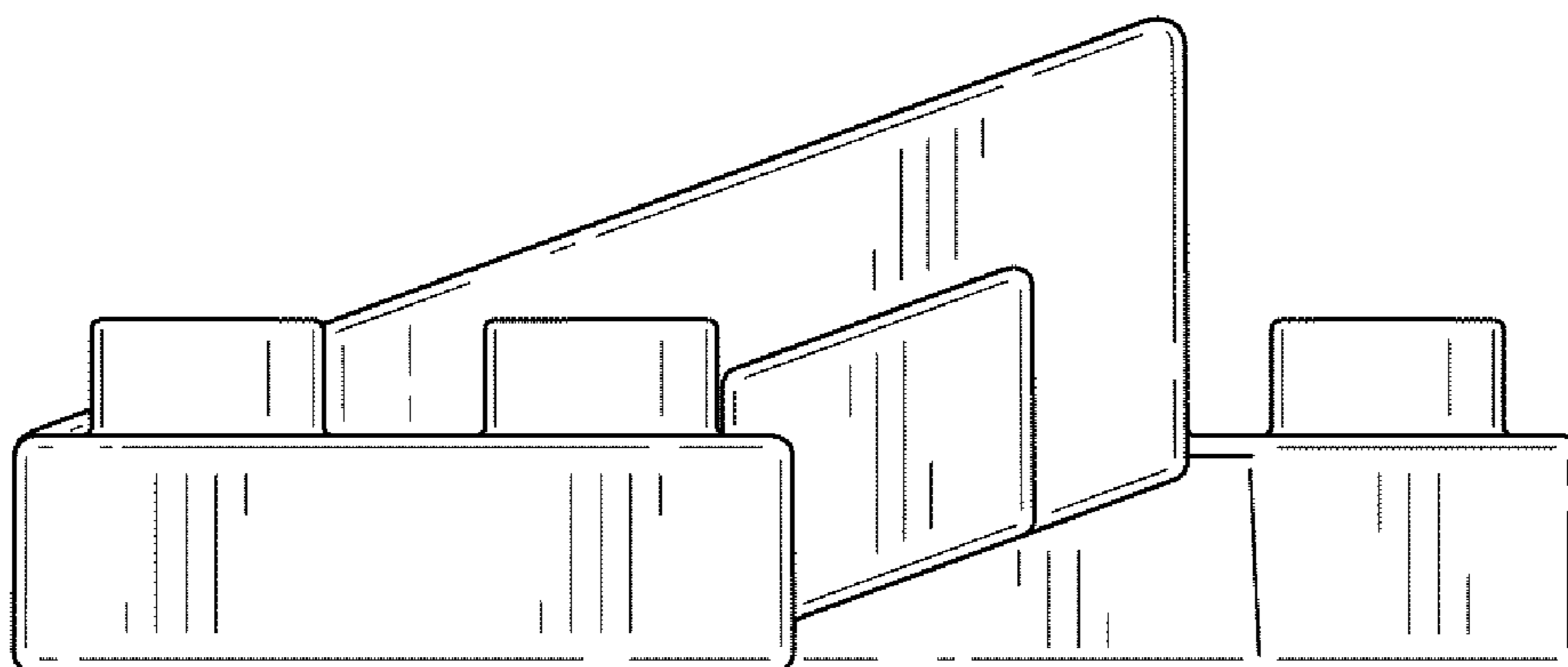


Fig. 5



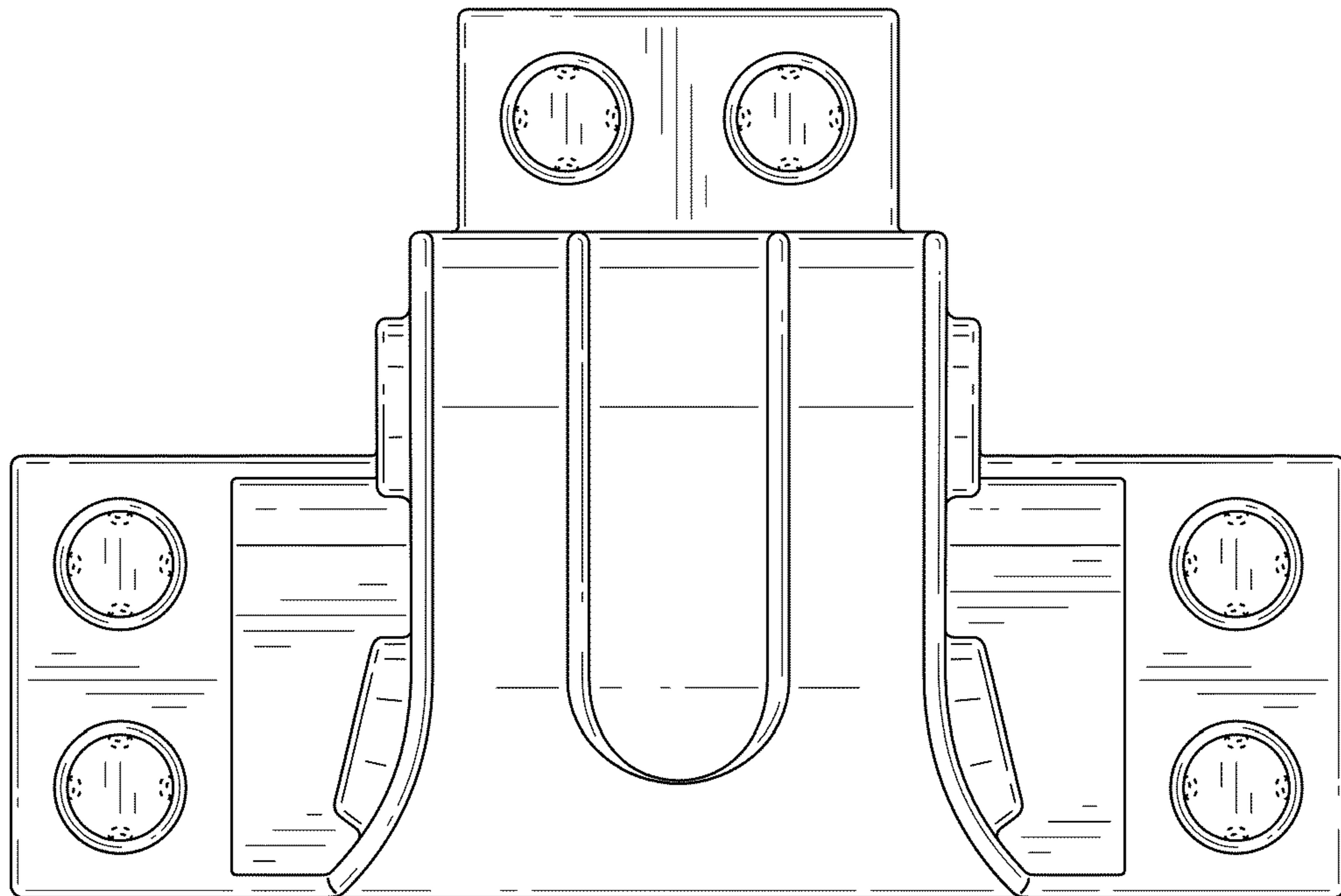


Fig. 6

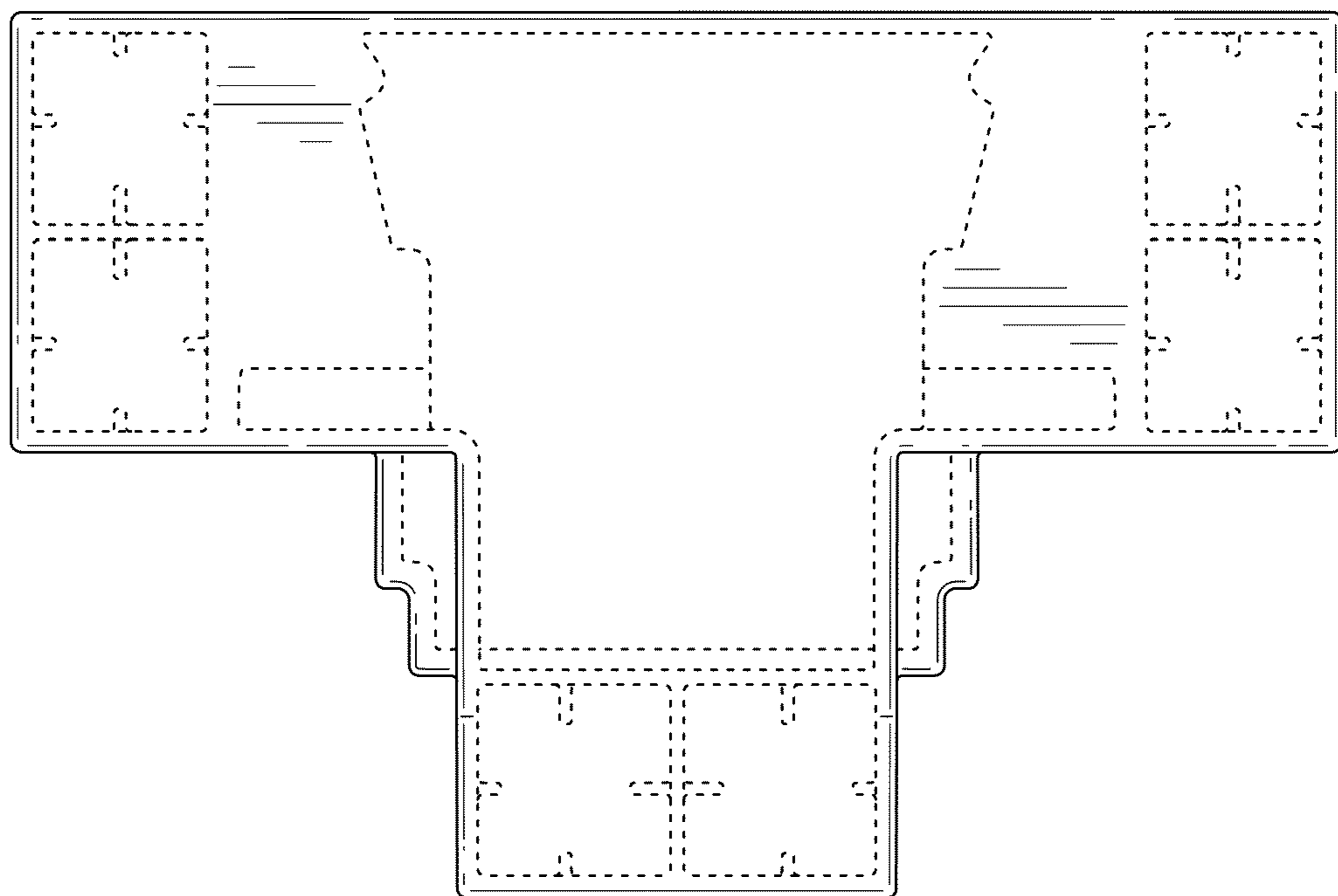


Fig. 7