



US00D640329S

(12) **United States Design Patent**
Oblack et al.

(10) **Patent No.:** **US D640,329 S**
(45) **Date of Patent:** **** Jun. 21, 2011**

(54) **FLYING DISC**
(75) Inventors: **Mark J. Oblack**, Issaquah, WA (US);
Kyle D. Burger, Seattle, WA (US)
(73) Assignee: **Canine Hardware Inc.**, Kent, WA (US)
(**) Term: **14 Years**
(21) Appl. No.: **29/368,477**

4,456,265 A 6/1984 Adler
4,503,635 A 3/1985 Harrington
4,560,358 A 12/1985 Adler
4,669,996 A 6/1987 Bershak
4,820,230 A 4/1989 Richards
D301,360 S 5/1989 Wells
4,854,907 A 8/1989 Holmes
4,915,661 A 4/1990 Getgey
4,944,707 A 7/1990 Silvergate
D312,515 S 11/1990 Hall

(Continued)

(22) Filed: **Aug. 24, 2010**
(51) **LOC (9) Cl.** **21-01**
(52) **U.S. Cl.** **D21/444**
(58) **Field of Classification Search** D21/385-386,
D21/390, 436, 441-444, 453; 446/34, 36,
446/61, 255; D30/160; 273/288-291; 473/569,
473/588-589, 590
See application file for complete search history.

OTHER PUBLICATIONS

“Dog Accessories,” © 2010 EzyDog, <<http://www.ezydog.com/fixstore/category/112/Dog-Accessories.aspx>> [retrieved Nov. 17, 2010], 1 page.

(Continued)

Primary Examiner — Sandra Morris
(74) *Attorney, Agent, or Firm* — Christensen O’Connor Johnson Kindness PLLC

(56) **References Cited**

U.S. PATENT DOCUMENTS

3,312,472 A 4/1967 Kerr
3,565,434 A 2/1971 Liston
3,580,580 A 5/1971 Wark
3,594,945 A 7/1971 Turney
D243,029 S 1/1977 Crew
4,104,822 A 8/1978 Rodgers
4,115,946 A 9/1978 Vukmirovich
4,174,834 A 11/1979 De Martino
4,183,168 A * 1/1980 Ross 446/255
4,196,540 A 4/1980 Hembree
4,203,249 A 5/1980 Böhm
4,216,611 A 8/1980 Psyras
4,222,573 A 9/1980 Adler
4,223,473 A 9/1980 Brown
4,241,533 A 12/1980 Newsome
4,253,672 A 3/1981 Milzoff
4,288,942 A 9/1981 Nicholl
4,290,226 A 9/1981 Stauffer
4,307,535 A 12/1981 Martin
4,370,824 A 2/1983 Resnicow
4,425,734 A 1/1984 Bauer

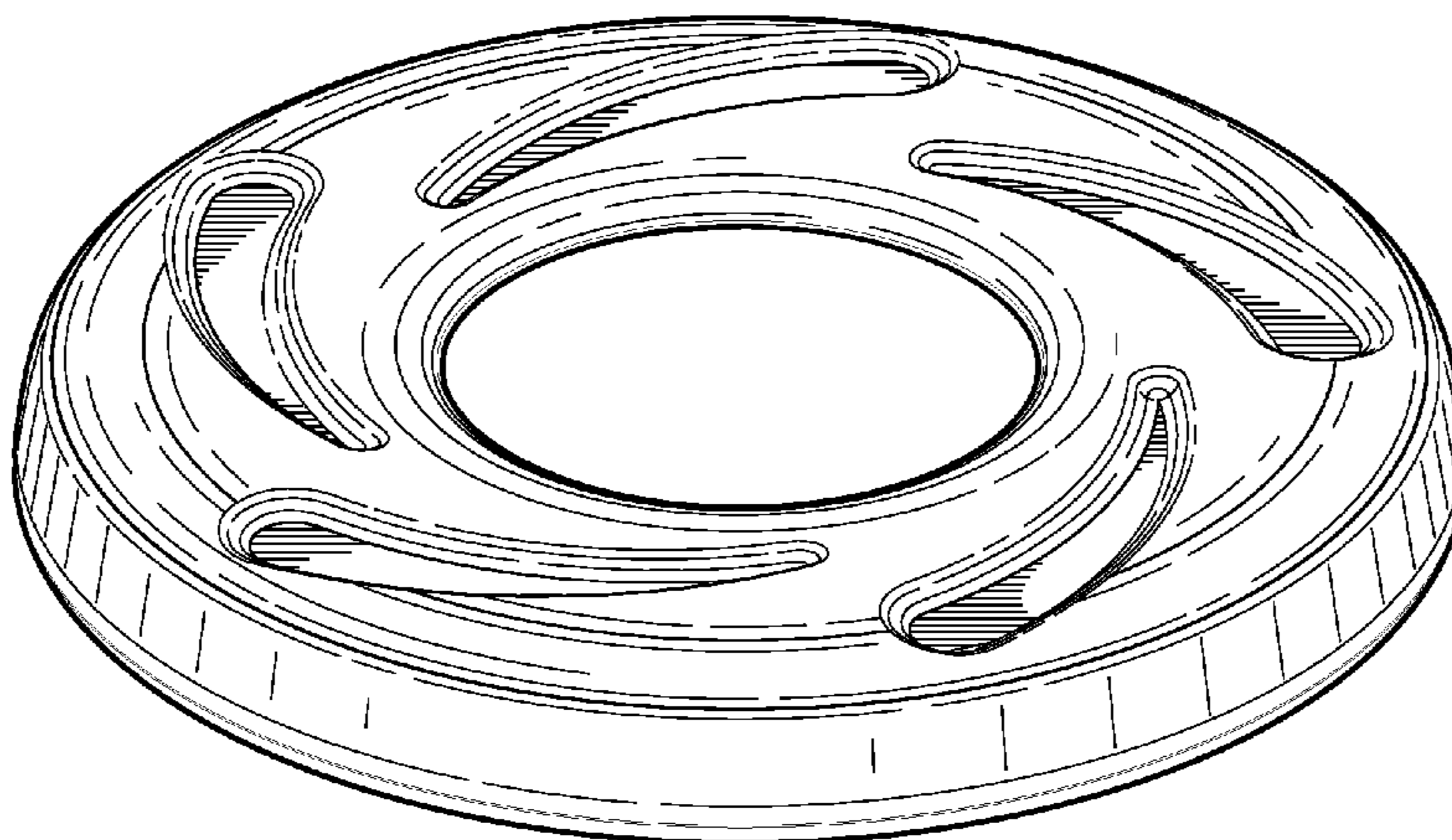
(57) **CLAIM**

The ornamental design for a flying disc, as shown and described.

DESCRIPTION

FIG. 1 is a top perspective view of the flying disc of the present invention;
FIG. 2 is a bottom perspective view of the flying disc of FIG. 1;
FIG. 3 is a top plan view of the flying disc of FIG. 1;
FIG. 4 is a bottom plan view of the flying disc of FIG. 1;
FIG. 5 is a front elevation view of the flying disc of FIG. 1;
FIG. 6 is a rear elevation view of the flying disc of FIG. 1;
FIG. 7 is a right side elevation view of the flying disc of FIG. 1; and,
FIG. 8 is a left side elevation view of the flying disc of FIG. 1.

1 Claim, 4 Drawing Sheets



US D640,329 S

Page 2

U.S. PATENT DOCUMENTS

4,973,284	A	11/1990	Sassak				
5,020,808	A	6/1991	Richards				
D322,642	S	12/1991	Crew				
5,078,637	A	1/1992	McFarland				
5,080,624	A	1/1992	Brinker				
5,116,275	A	5/1992	Sassak				
5,237,961	A	8/1993	Sarullo				
5,261,846	A	11/1993	Hanna				
5,326,299	A	7/1994	Jasinski				
5,340,347	A	8/1994	Yenerich				
5,358,440	A	10/1994	Zheng				
5,362,067	A	11/1994	Nelson				
D359,600	S	6/1995	Hotta				
5,482,274	A *	1/1996	Bellehumeur	473/588		
5,484,159	A	1/1996	Dean				
D371,872	S	7/1996	Petersen				
5,540,610	A	7/1996	Sneddon				
5,655,777	A	8/1997	Neading				
5,800,237	A	9/1998	Cummings				
5,816,879	A	10/1998	Kyame				
5,853,311	A	12/1998	Bartholomew				
5,873,761	A	2/1999	Johnson				
5,901,926	A	5/1999	Zheng				
6,050,871	A	4/2000	Chen				
6,113,453	A	9/2000	Stuffelbeam				
D433,862	S	11/2000	Rosenstadt				
6,174,214	B1	1/2001	Cooper				
6,247,989	B1	6/2001	Neff				
6,283,063	B1	9/2001	Zalevsky				
6,293,879	B2	9/2001	Moore				
D453,241	S	1/2002	Kaplan				
6,360,696	B1	3/2002	Arnold				
6,390,879	B1	5/2002	Spector				
D461,603	S	8/2002	Oblack				
6,443,862	B1	9/2002	Darnell				
6,527,608	B2 *	3/2003	Calco	446/34		
6,565,404	B2	5/2003	Oblack				
6,918,355	B1	7/2005	Arvanites				
7,096,826	B2	8/2006	Markham				
D533,600	S *	12/2006	Kennedy	D21/387		
D548,409	S *	8/2007	Renforth et al.	D30/160		
RE40,533	E	10/2008	Oblack				
2003/0157862	A1	8/2003	Dunn				
2004/0089245	A1	5/2004	Markham				
2006/0102098	A1	5/2006	Zelinger				
2009/0199784	A1	8/2009	Oblack				

OTHER PUBLICATIONS

“Hurl-A-Squirrel,” Fat Cat, Inc.— Dog-A-Logue, at least as early as Oct. 1999, <http://www.fatcats.com/html_site/dogs.shtml> [retrieved Nov. 19, 2010], 1 page.

“SpongeBob SquarePants Flying Disk,” The Nickelodeon Shop, <<http://shop.nickjr.com/searchHandler/index.jsp?doVSearch=no&brandId=18245&searchId...>> [retrieved Mar. 24, 2005], 1 page.

* cited by examiner

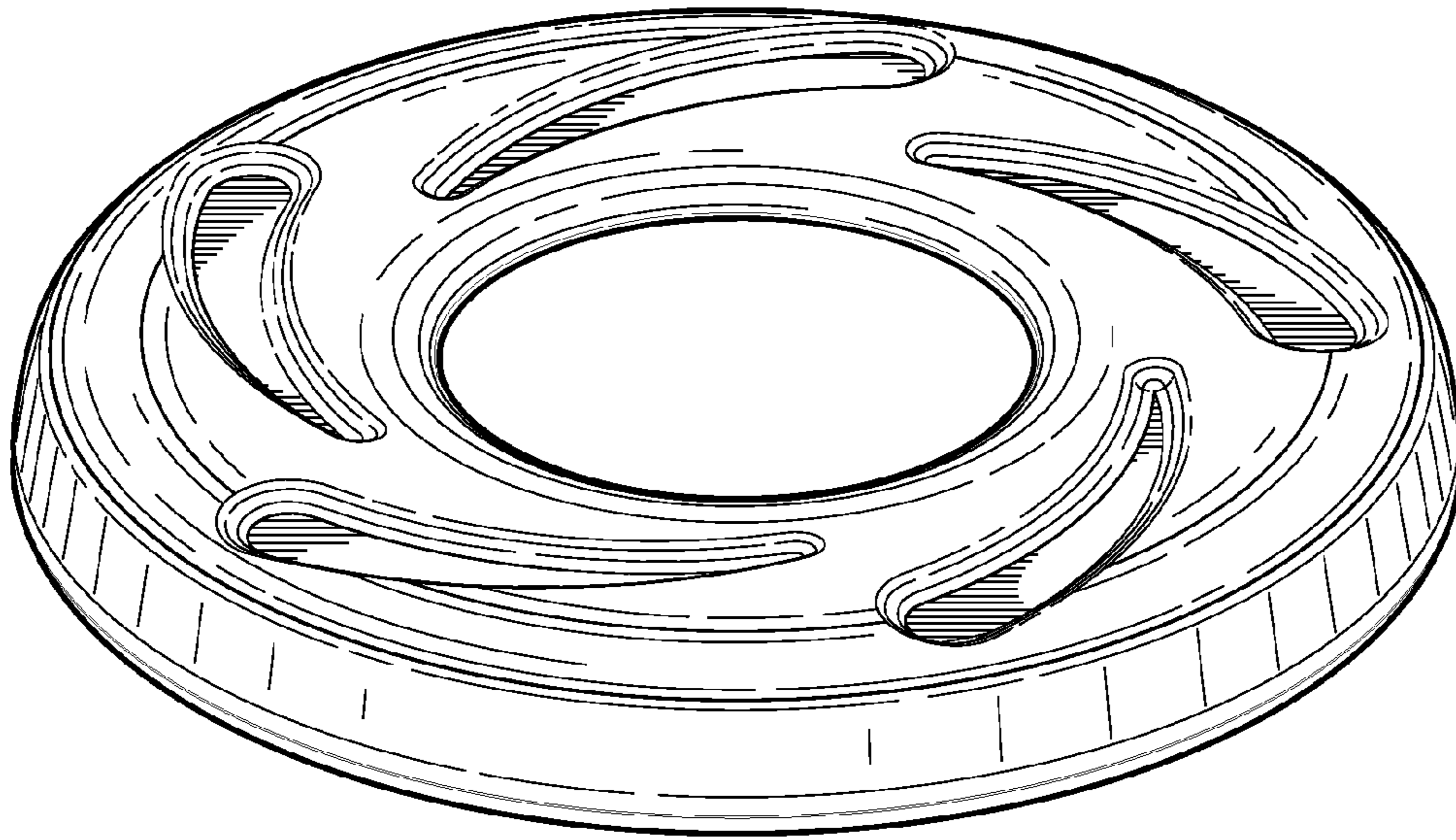


Fig. 1.

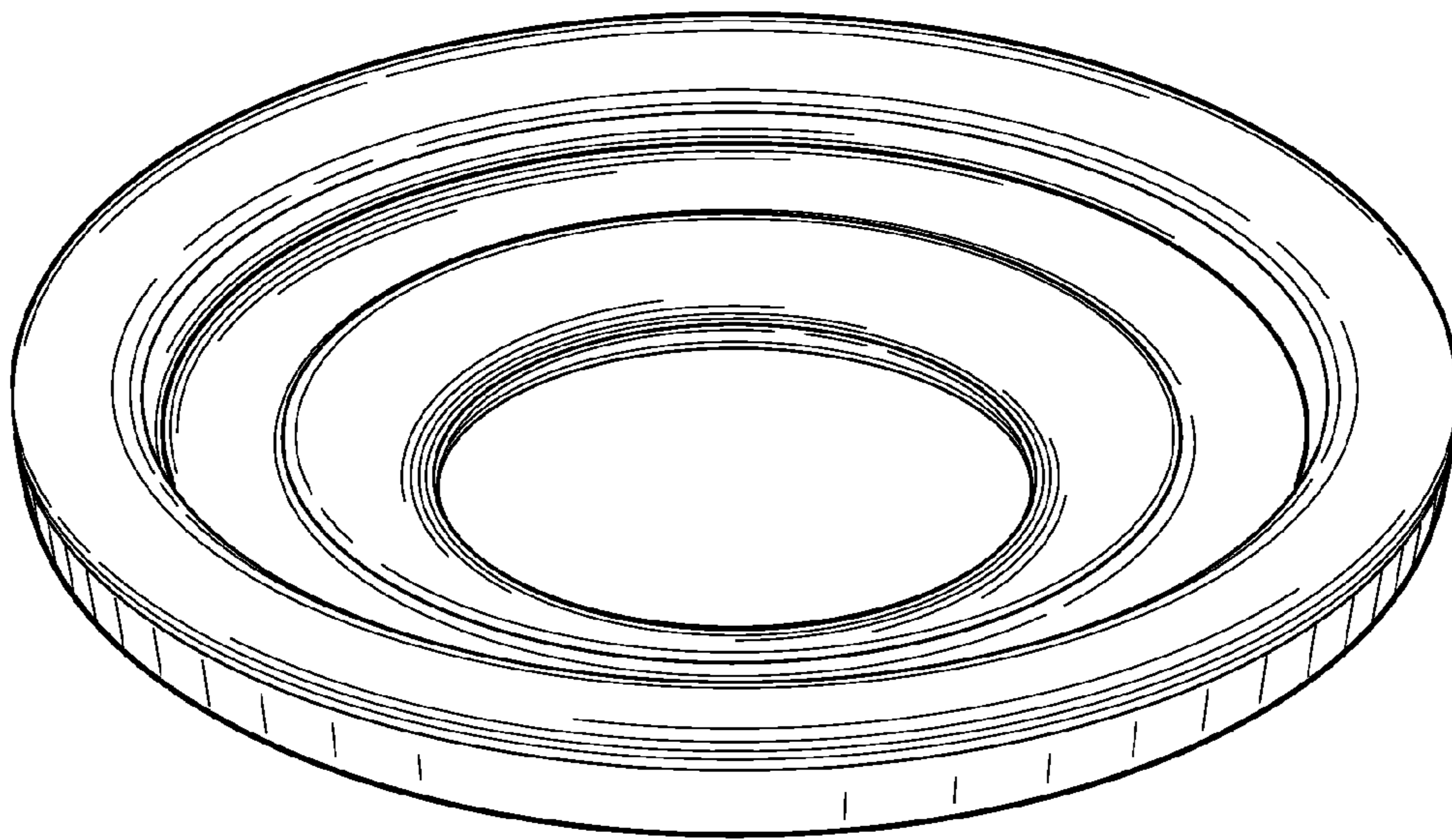


Fig. 2.

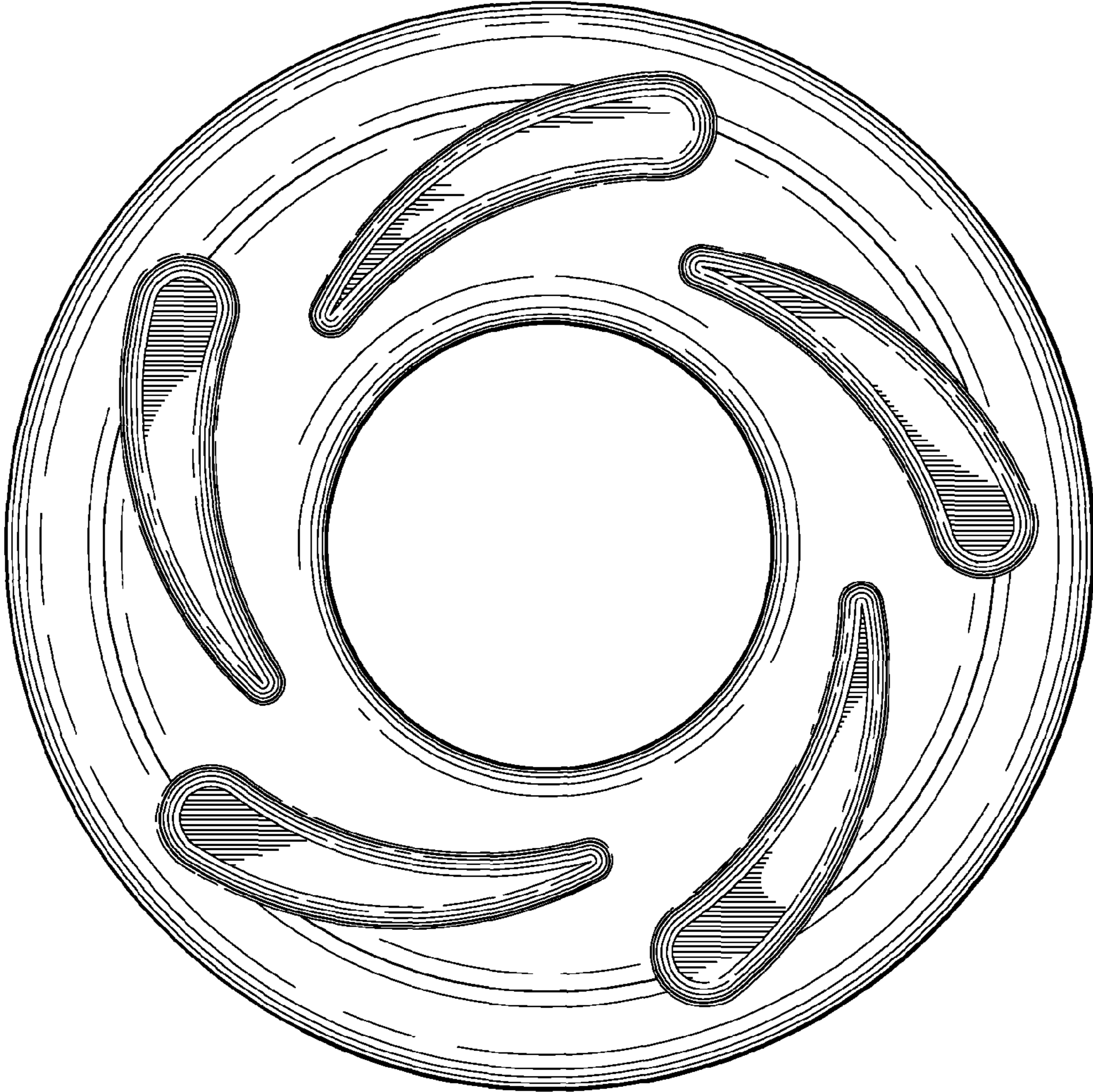


Fig. 3.

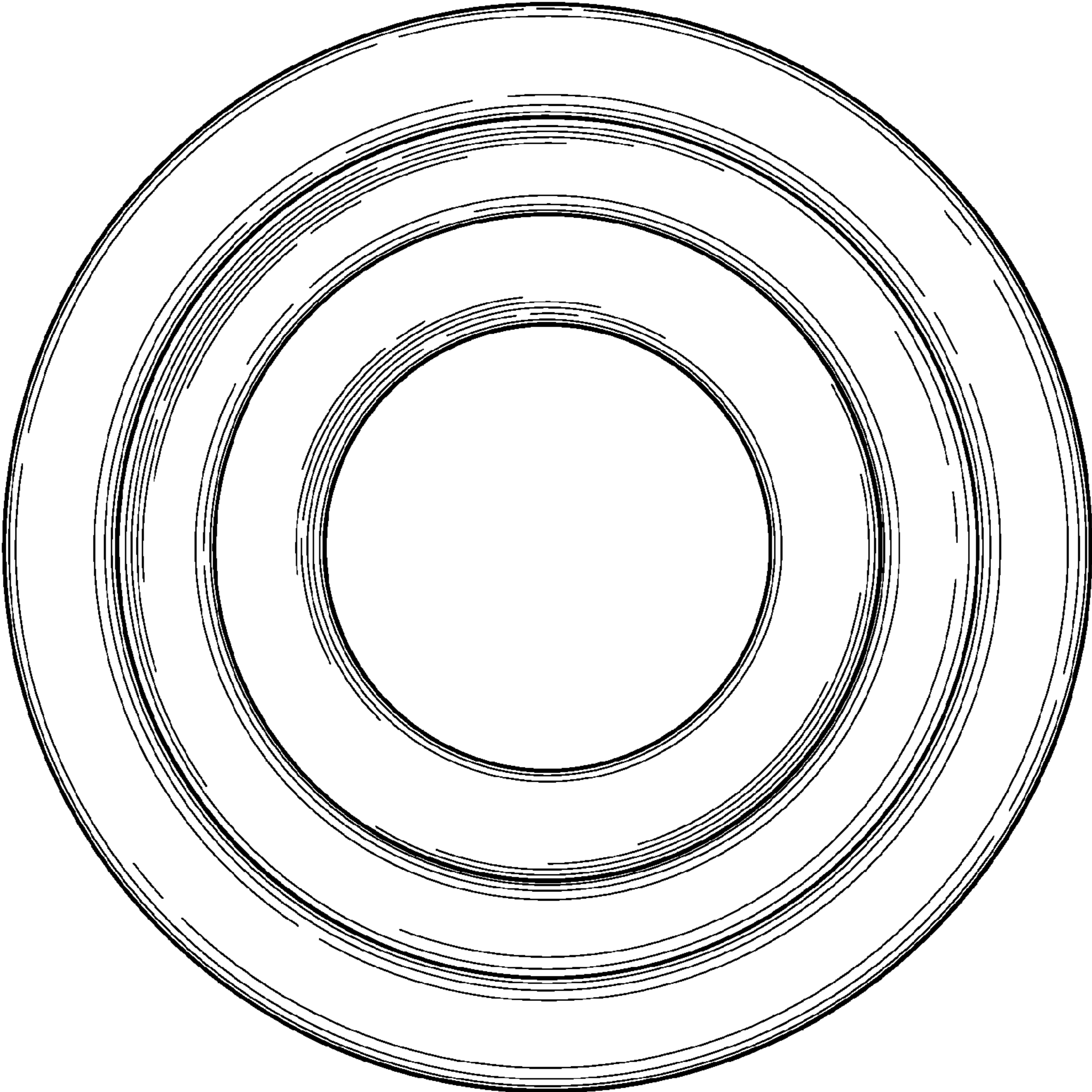


Fig. 4.

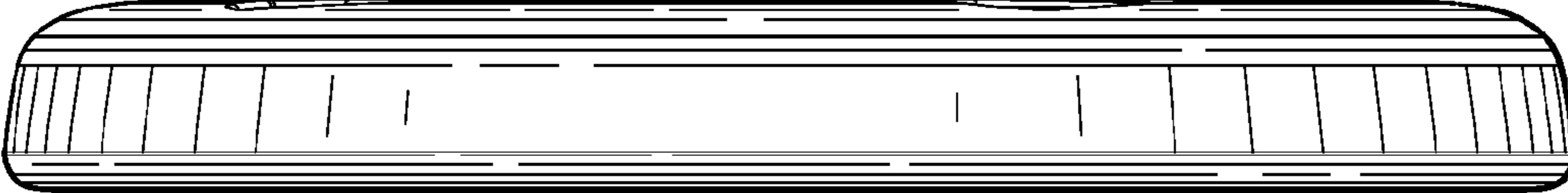


Fig. 5.

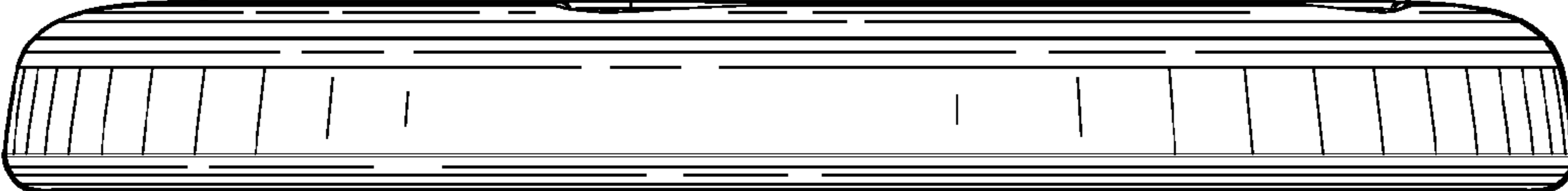


Fig. 6.

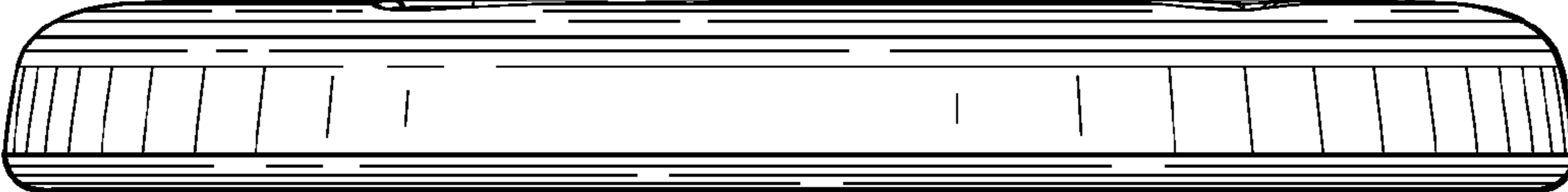


Fig. 7.

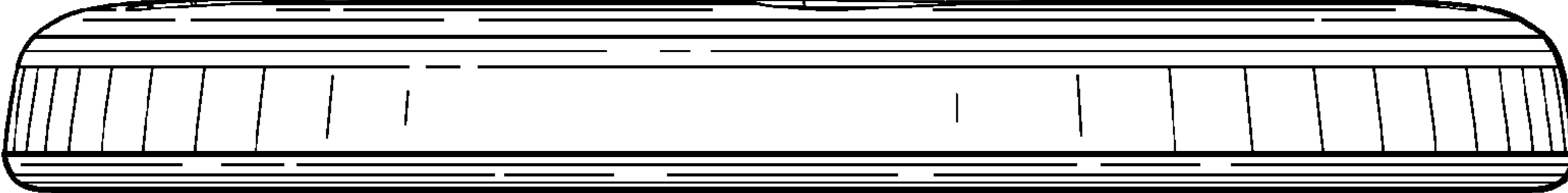


Fig. 8.