



US00D640327S

(12) **United States Design Patent**
Gorzo

(10) **Patent No.:** **US D640,327 S**
(45) **Date of Patent:** **** Jun. 21, 2011**

- (54) **IDENTIFYING TAG FOR A MICROCENTRIFUGE TUBE**
- (76) Inventor: **David M. Gorzo**, St. George, UT (US)
- (**) Term: **14 Years**
- (21) Appl. No.: **29/370,097**
- (22) Filed: **Jun. 7, 2010**
- (51) **LOC (9) Cl.** **19-08**
- (52) **U.S. Cl.** **D20/22**
- (58) **Field of Classification Search** D20/10,
D20/11, 19, 22-29, 39, 40, 42, 43, 99; 40/5,
40/27, 124.01-124.09, 124.11-124.19, 124.191,
40/299.01, 300-304, 310, 312, 316, 360,
40/376, 388, 446, 538.541, 584, 626, 628-632,
40/637, 638, 642.01, 661, 661.01, 661.02,
40/661.11, 666, 673; D6/513; D7/398; D30/155;
222/108; 235/375; 283/56, 70, 71, 81
See application file for complete search history.

D377,313 S	1/1997	Tipp	
D395,680 S	6/1998	Sandy	
D408,865 S	4/1999	Link	
D438,699 S	3/2001	Campman	
D496,072 S	9/2004	Meloche	
D508,957 S	8/2005	Jensen	
D510,601 S	10/2005	Best	
D513,419 S *	1/2006	Morrison et al. D20/28
D568,388 S	5/2008	Hammond	
7,578,433 B1 *	8/2009	Benson 235/375
2005/0235530 A1 *	10/2005	Boisvert 40/124.06
2006/0143963 A1 *	7/2006	Nowakowski 40/673
2008/0066354 A1 *	3/2008	Stone 40/124.191
2009/0077844 A1 *	3/2009	van Wijk et al. 40/300
2010/0187256 A1 *	7/2010	Draisma 222/108

* cited by examiner

Primary Examiner — Mary Ann Calabrese

(57) **CLAIM**
The ornamental design for an identifying tag for a microcentrifuge tube, as shown and described.

DESCRIPTION

FIG. 1 is a front perspective view of an identifying tag for a microcentrifuge tube showing my new design;
 FIG. 2 is a front elevational view of FIG. 1; the undisclosed rear elevational view being a mirror image thereof, aside from the unclaimed indicia appearing thereon;
 FIG. 3 is a side edge elevational view of FIG. 2, the undisclosed opposite side being a mirror image thereof;
 FIG. 4 is a top edge view of FIG. 2;
 FIG. 5 is a bottom edge view of FIG. 2; and,
 FIG. 6 is another perspective view, in a reduced scale, displaying the claimed invention affixed to an exemplary microcentrifuge tube in accordance with my design.
 In the drawings, the broken lines illustrate environment and form no part of the claimed design.

1 Claim, 2 Drawing Sheets

(56) **References Cited**

U.S. PATENT DOCUMENTS

1,350,890 A *	8/1920	Tanzey 40/666
1,442,224 A *	1/1923	Knott et al. 40/673
1,456,583 A *	5/1923	Becker 283/70
1,477,123 A	12/1923	Hopkins	
1,691,090 A *	11/1928	Tevander 40/27
1,984,559 A	12/1934	Wilcox	
2,132,236 A *	10/1938	Greene 40/310
3,360,877 A	1/1968	Estep	
3,826,030 A	7/1974	Read	
3,826,549 A	7/1974	Scholfield	
D247,788 S	4/1978	Bernyk	
D325,268 S	4/1992	Wittick	
D339,013 S *	9/1993	Wright D6/513
D358,429 S *	5/1995	Ely D20/27
D370,386 S *	6/1996	Pallesen D7/398



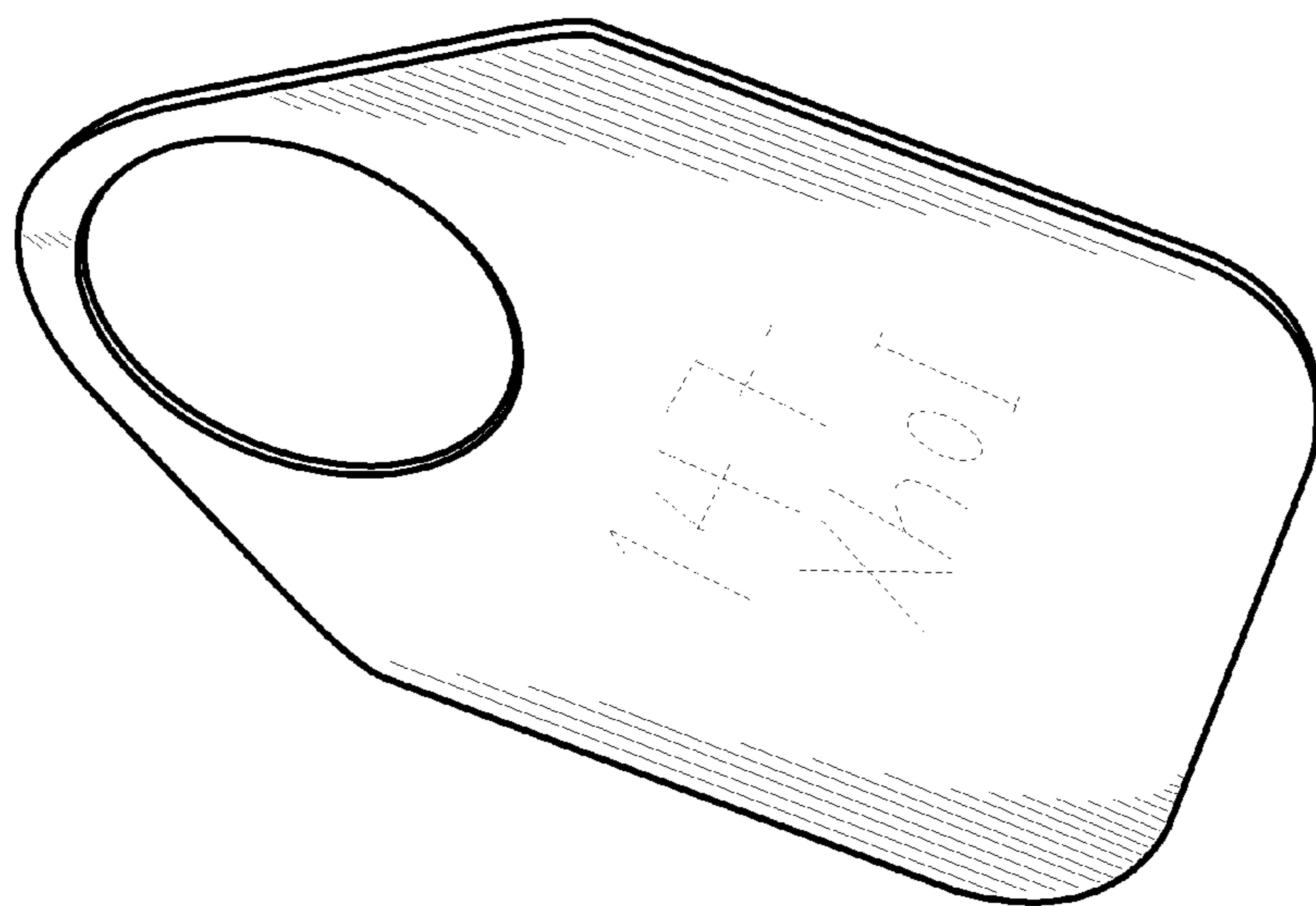


Fig. 1

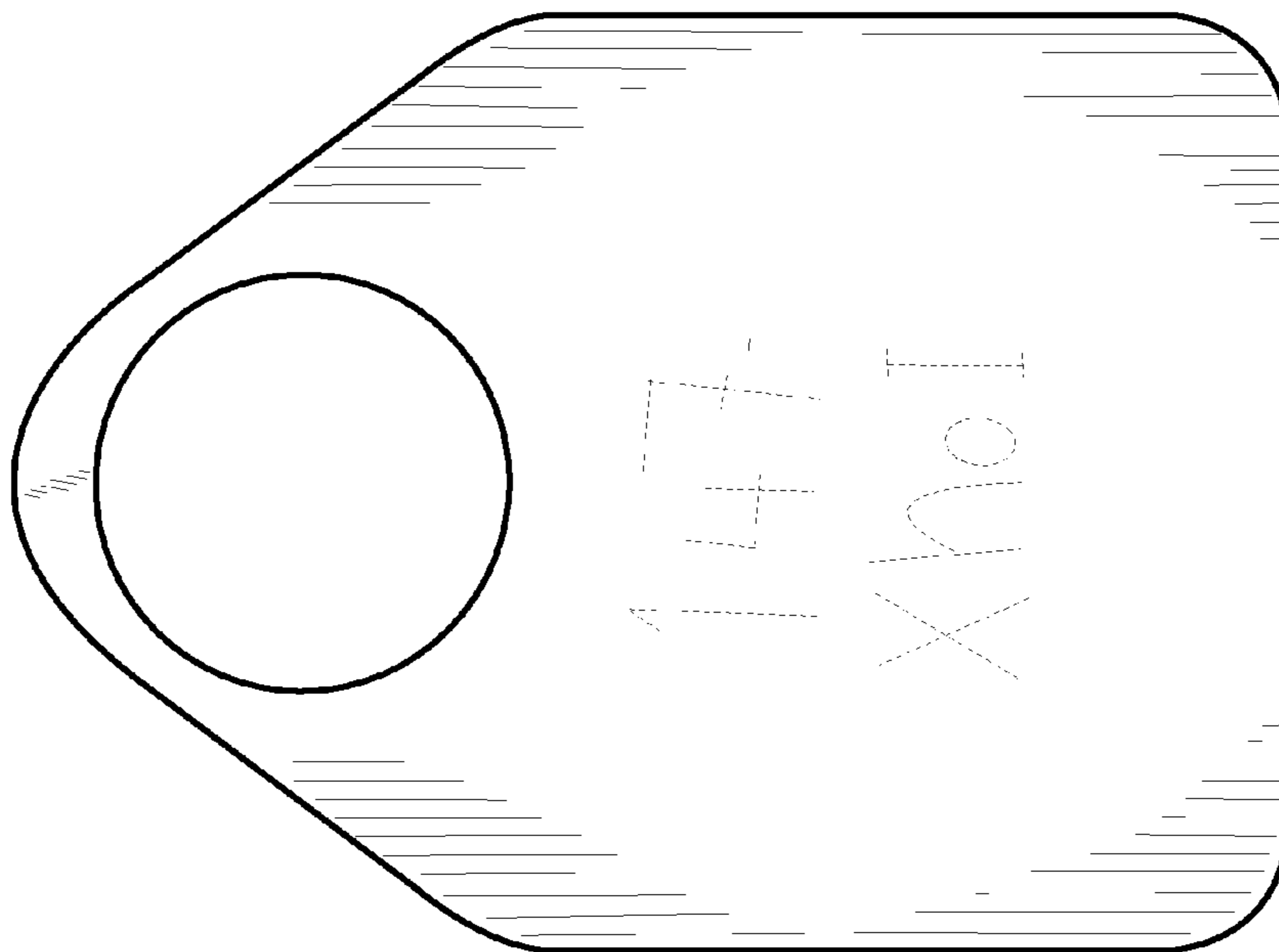


Fig. 2



Fig. 3



Fig. 4



Fig. 5

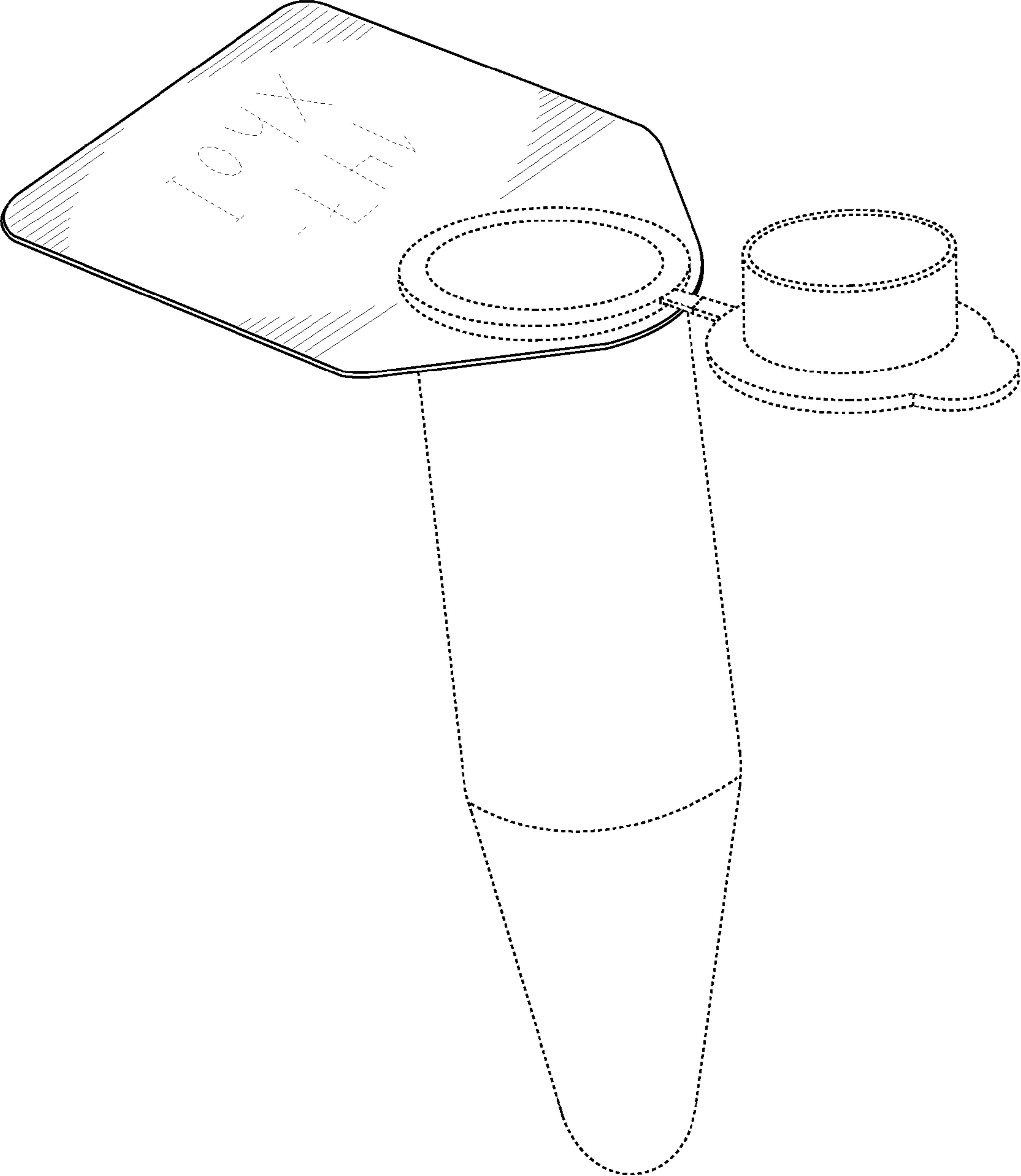


Fig. 6