



US00D640321S

(12) **United States Design Patent**
Kuronuma

(10) **Patent No.:** **US D640,321 S**

(45) **Date of Patent:** **** Jun. 21, 2011**

(54) **CORRECTION TAPE DISPENSER**
(75) Inventor: **Hiromi Kuronuma**, Saitama (JP)
(73) Assignee: **Tombow Pencil Co., Ltd.**, Tokyo (JP)
(**) Term: **14 Years**

D492,355 S * 6/2004 Suzuki D19/69
D492,730 S * 7/2004 Suzuki D19/69
D494,221 S * 8/2004 Suzuki D19/69
D494,623 S * 8/2004 Huang D19/69
D502,508 S * 3/2005 Hung D19/69
2010/0071853 A1* 3/2010 Wu 156/538
* cited by examiner

(21) Appl. No.: **29/372,172**
(22) Filed: **Oct. 25, 2010**

Primary Examiner — Austin Murphy
(74) *Attorney, Agent, or Firm* — Edwards Angell Palmer & Dodge LLP; Scott D. Wofsy

(30) **Foreign Application Priority Data**

Jun. 9, 2010 (JP) 2010-014182
(51) **LOC (9) Cl.** **19-02**
(52) **U.S. Cl.** **D19/69**
(58) **Field of Classification Search** D19/66,
D19/67, 68, 69, 70; 156/523, 257, 540, 577;
206/411; 225/6, 25, 39, 77; 242/588, 588.1,
242/588.2, 588.3, 588.6, 5
See application file for complete search history.

(57) **CLAIM**
The ornamental design of a correction tape dispenser, as is shown and described.

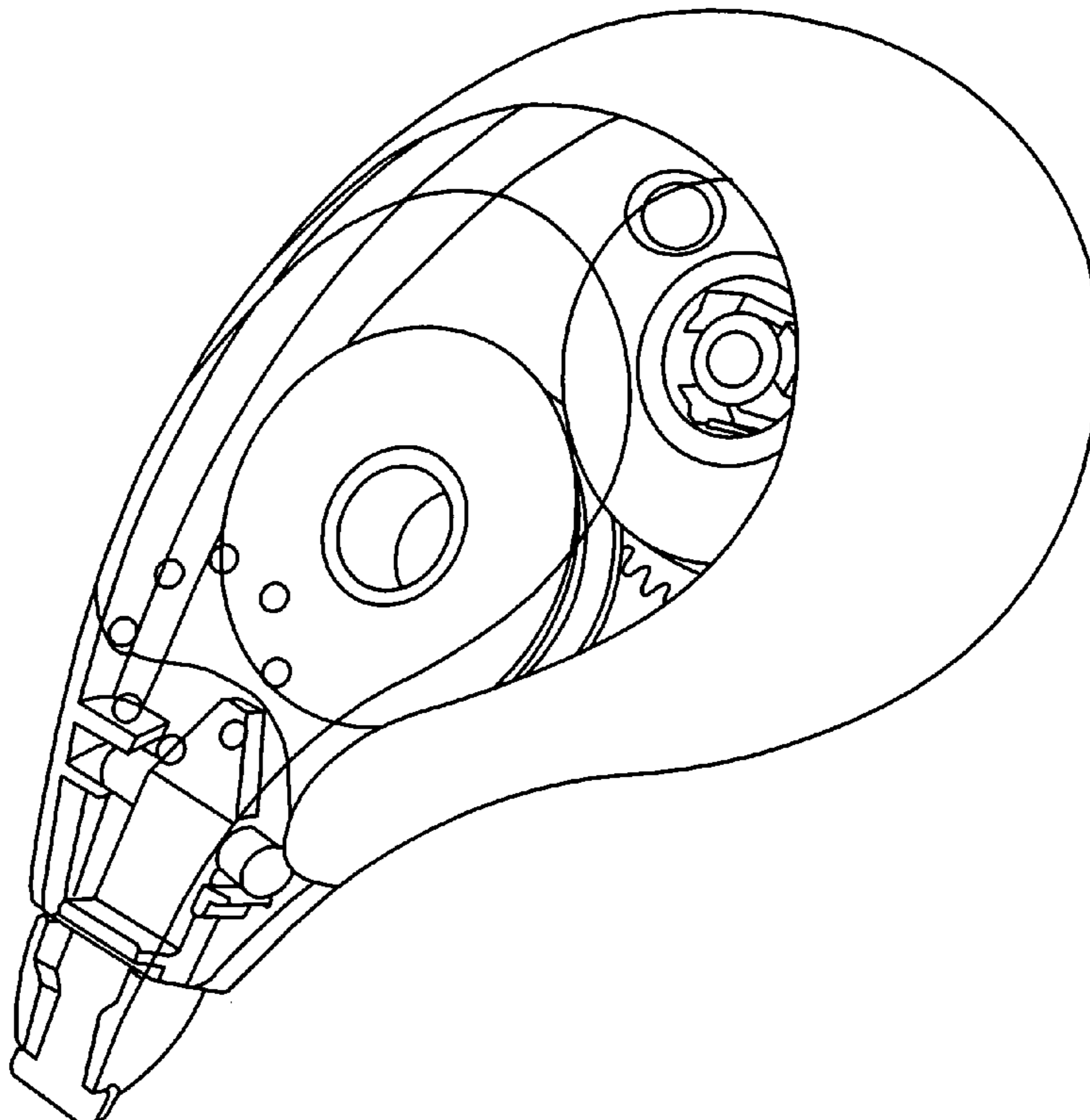
DESCRIPTION

(56) **References Cited**

U.S. PATENT DOCUMENTS
D355,934 S * 2/1995 Oga et al. D19/69
D410,494 S * 6/1999 Hoffmann D19/69
D421,060 S * 2/2000 Kelders et al. D19/69
D424,116 S * 5/2000 You D19/69
D456,450 S * 4/2002 Kimura D19/69
D476,035 S * 6/2003 Katami D19/69
D476,687 S * 7/2003 Katami D19/69

FIG. 1 is a top view of the correction tape dispenser of the subject invention;
FIG. 2 is a perspective view of the correction tape dispenser of the subject invention;
FIG. 3 is a front view of the correction tape dispenser of the subject invention, which is referenced to indicate transparency;
FIG. 4 is a left side view of the correction tape dispenser of the subject invention;
FIG. 5 is a right side view of the correction tape dispenser of the subject invention;
FIG. 6 is a rear view of the correction tape dispenser of the subject invention; and,
FIG. 7 is a bottom view of the correction tape dispenser of the subject invention.

1 Claim, 7 Drawing Sheets



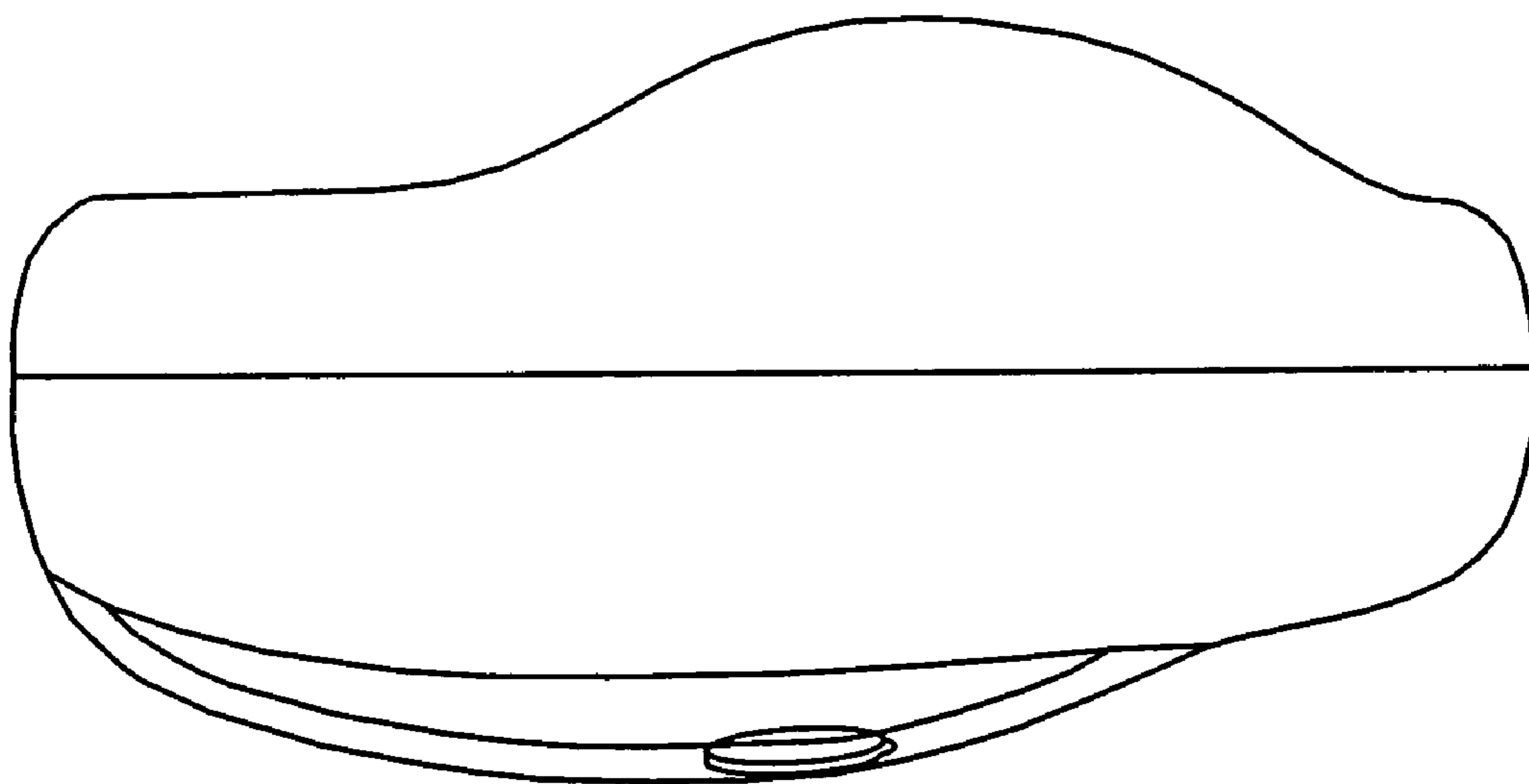


Fig. 1

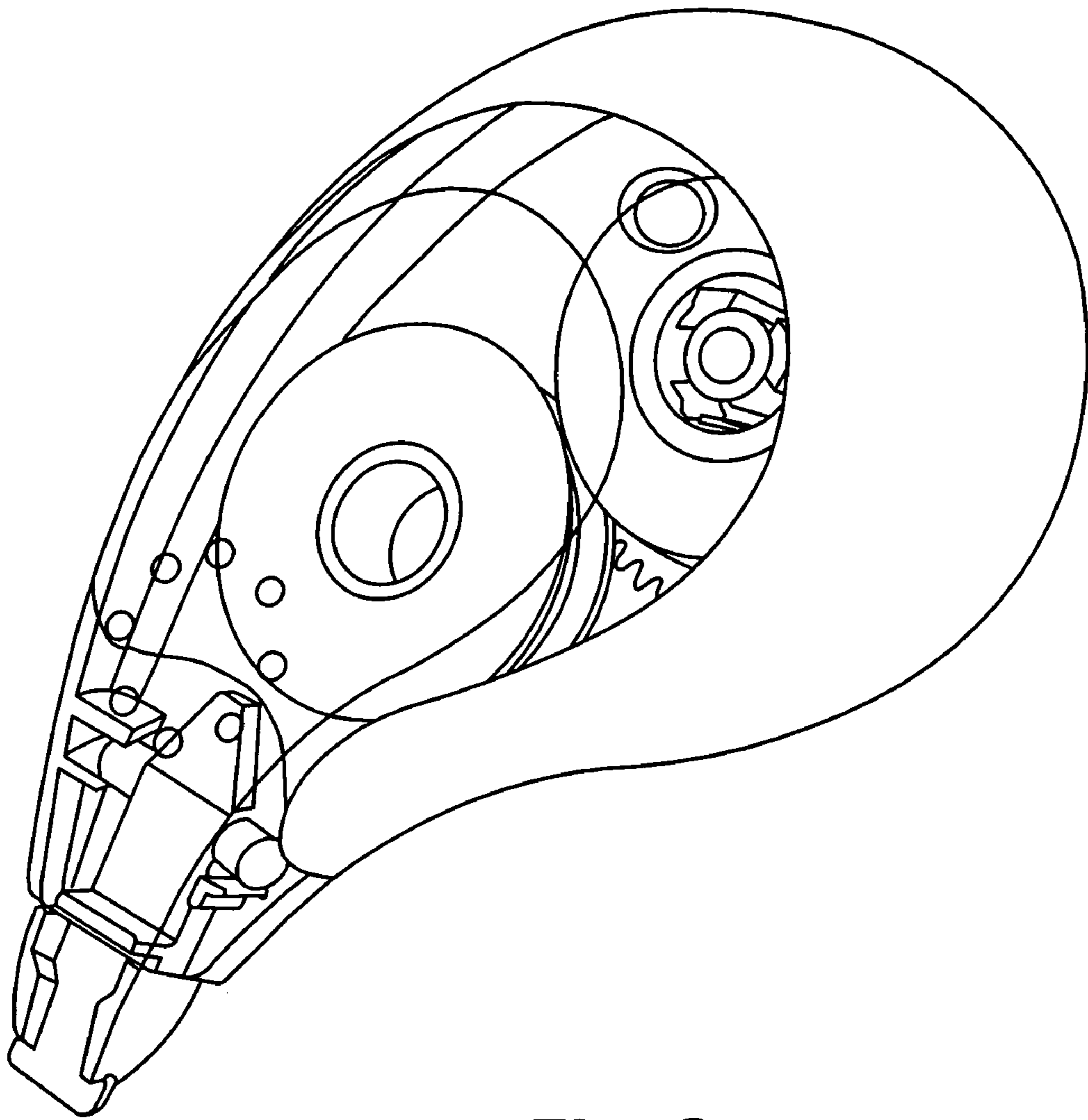


Fig. 2

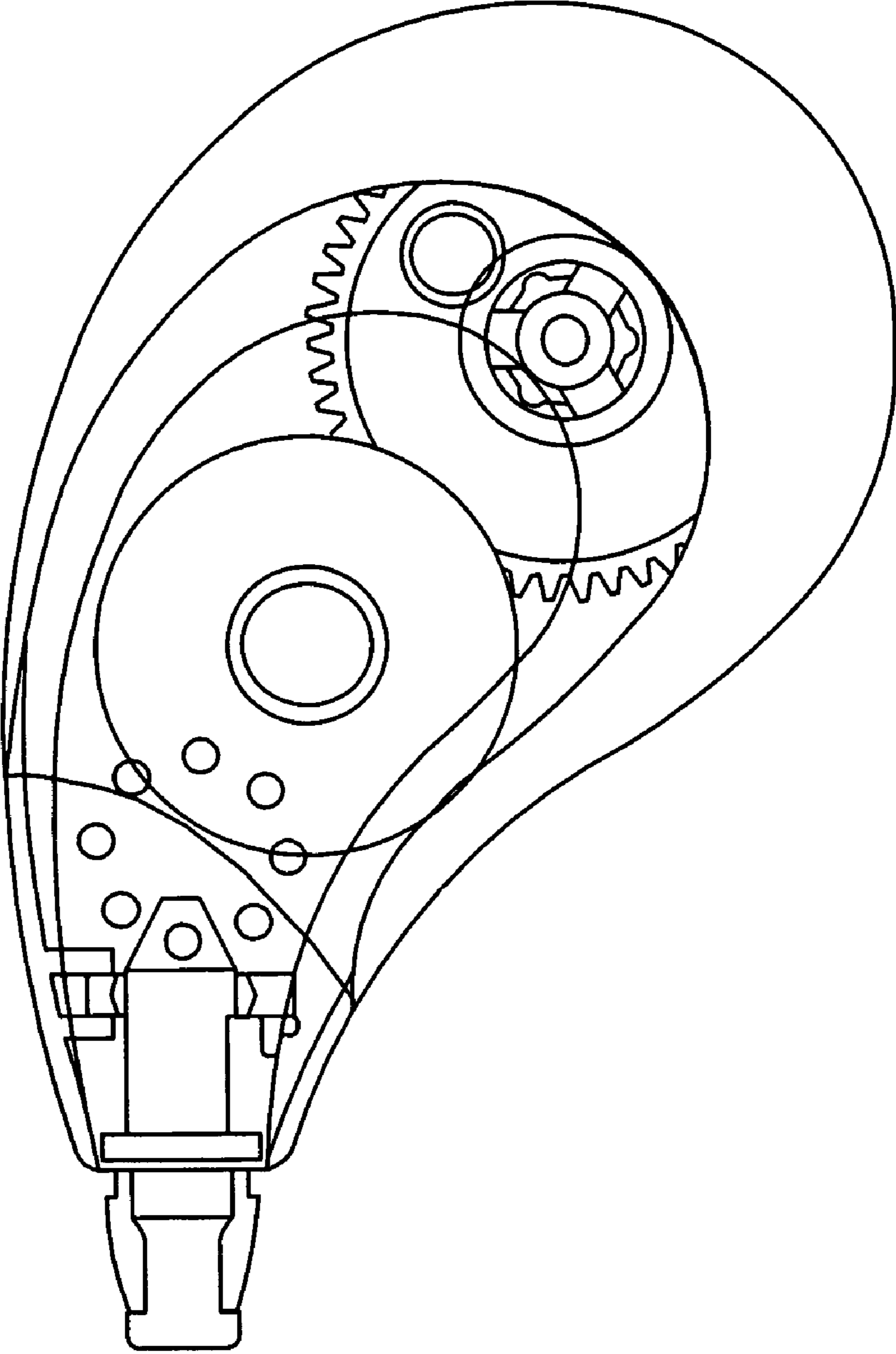


Fig. 3

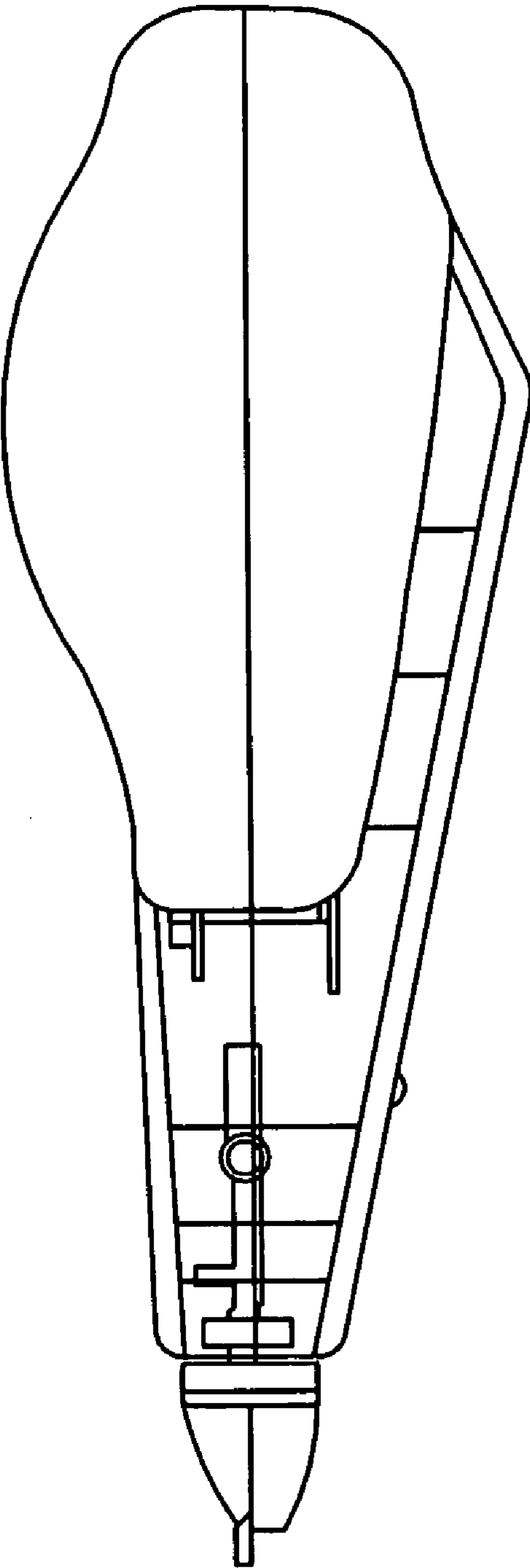


Fig. 4

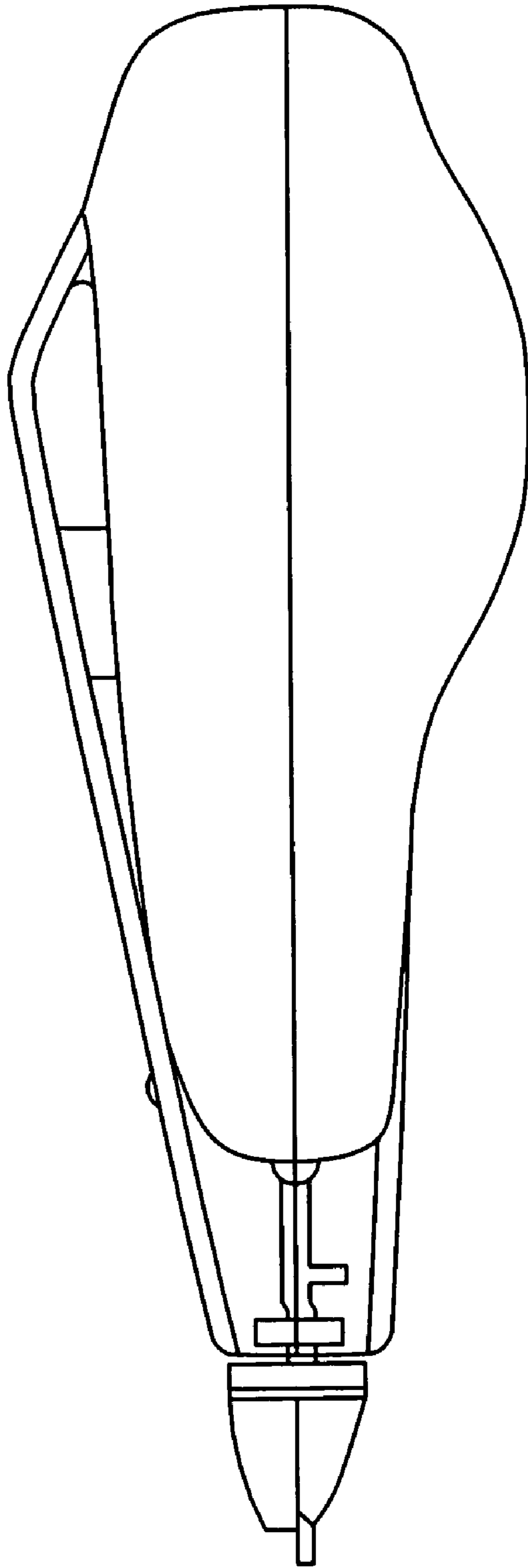


Fig. 5

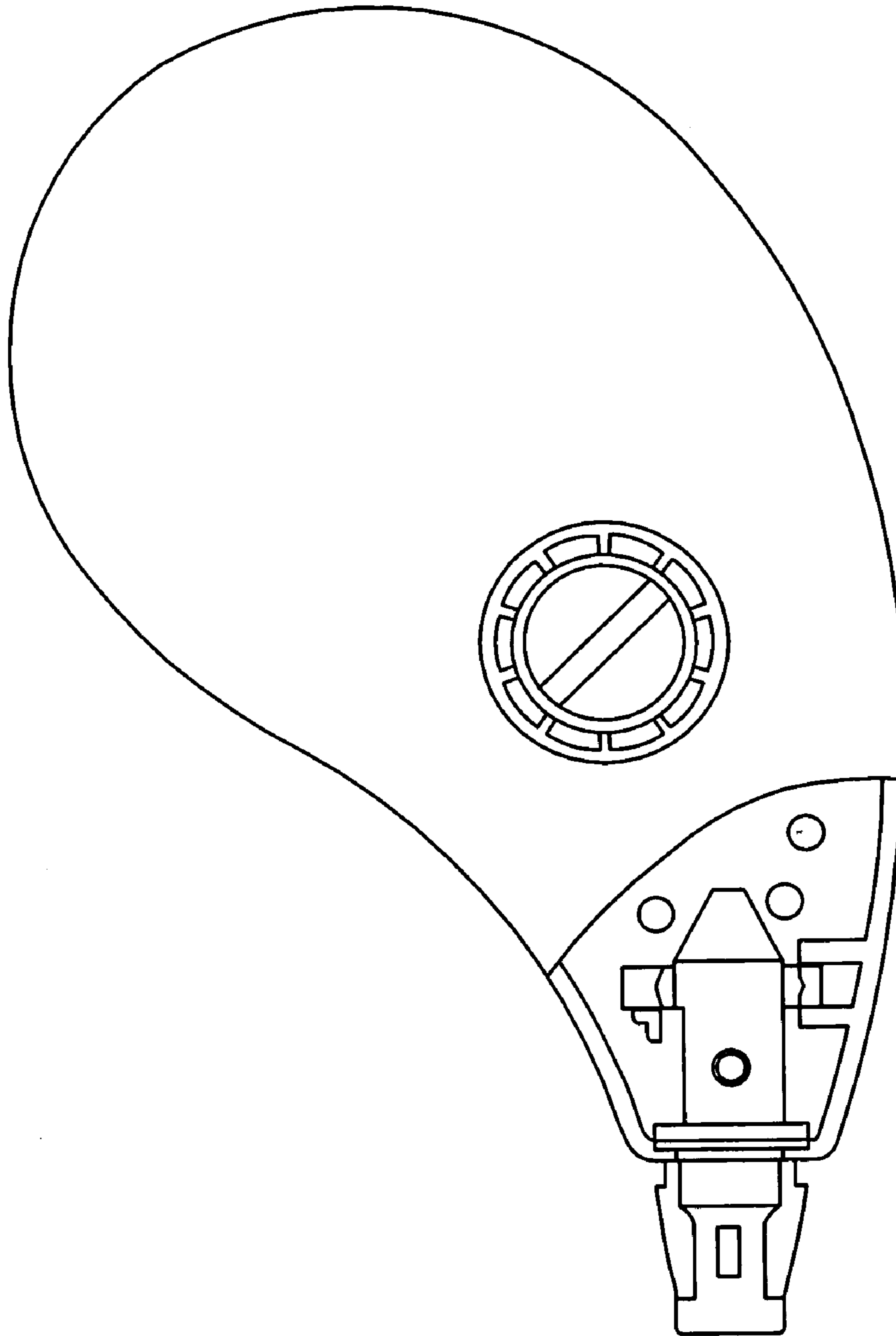


Fig. 6

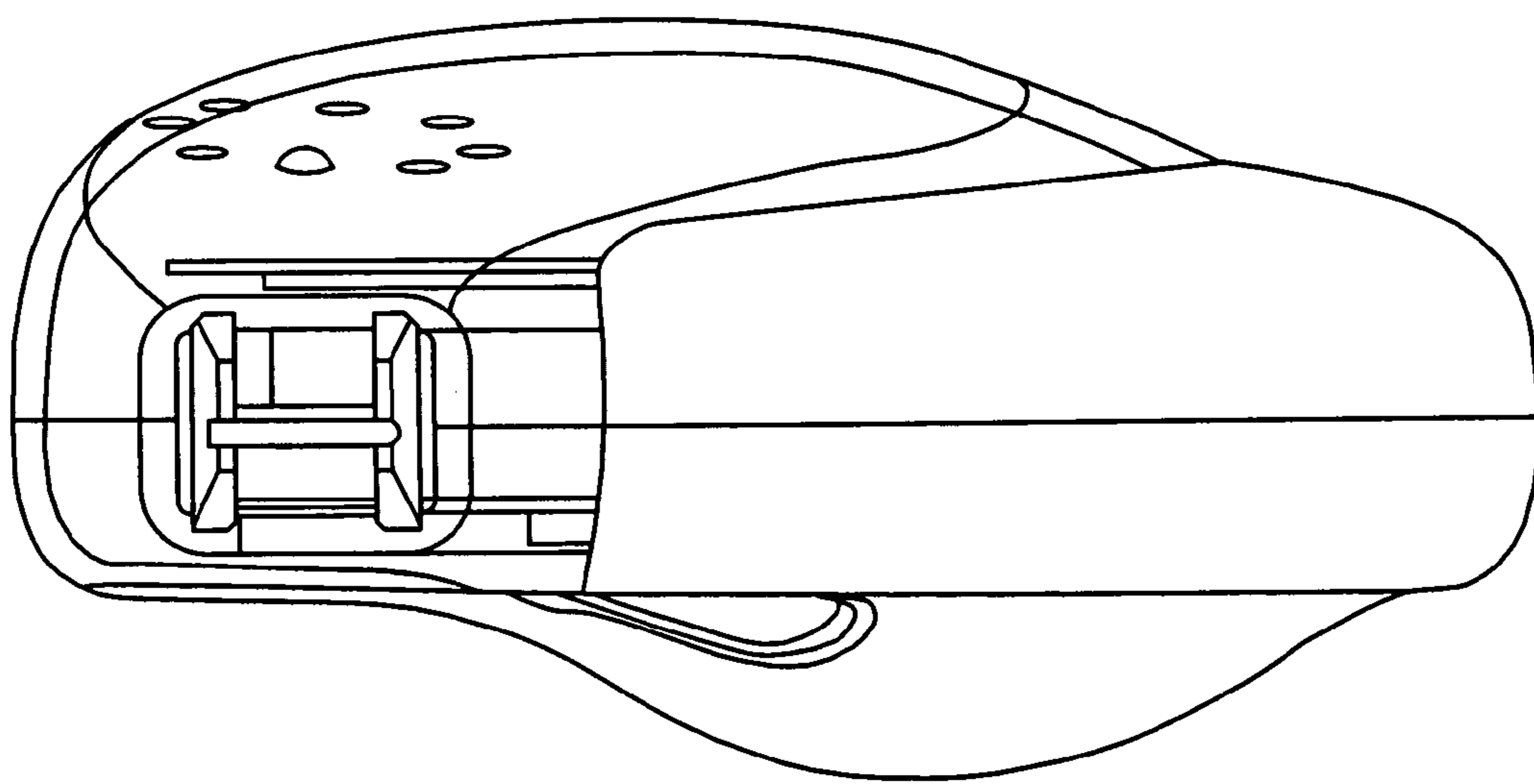


Fig. 7