



US00D640319S

(12) **United States Design Patent**  
**Gerules**

(10) **Patent No.:** **US D640,319 S**

(45) **Date of Patent:** **\*\* Jun. 21, 2011**

(54) **WRITING INSTRUMENT**

(75) Inventor: **Matthew J. Gerules**, Chicago, IL (US)

(73) Assignee: **Sanford, L.P.**, Oak Brook, IL (US)

(\*\*) Term: **14 Years**

(21) Appl. No.: **29/358,330**

(22) Filed: **Mar. 25, 2010**

(51) **LOC (9) Cl.** ..... **19-06**

(52) **U.S. Cl.** ..... **D19/41**

(58) **Field of Classification Search** ..... D14/411,  
D14/431; D19/35, 36, 41, 42, 43, 44, 45,  
D19/46, 47, 48, 49, 50, 51, 54, 55, 56, 57;  
D28/76, 82, 90; 24/11 F, 11 P, 11 R; 401/34,  
401/52, 99, 100, 104, 105, 106, 107, 108,  
401/109, 192, 195, 196

See application file for complete search history.

(56) **References Cited**

**U.S. PATENT DOCUMENTS**

D236,752	S	*	9/1975	Funahashi	.....	D18/15
4,509,875	A	*	4/1985	Shintani	.....	401/34
D293,494	S	*	12/1987	Kemmerer	.....	D28/82
D294,409	S	*	2/1988	Kemmerer	.....	D28/82
D333,014	S	*	2/1993	Lang	.....	D28/76
D541,479	S	*	4/2007	Cronin et al.	.....	D28/90
D568,933	S	*	5/2008	Qiu et al.	.....	D19/43
D572,754	S	*	7/2008	Li	.....	D19/43
D575,336	S	*	8/2008	Qiu et al.	.....	D19/43
D601,626	S	*	10/2009	Liu	.....	D19/43
D622,767	S	*	8/2010	Liu	.....	D19/43
D626,994	S	*	11/2010	Gerules	.....	D19/36
2010/0080645	A1	*	4/2010	Wu	.....	401/52

**OTHER PUBLICATIONS**

Eberhard Faber permanent marker. Retrieved from the Internet:  
<<http://store.officeworld.com/product.asp?ShellID=1371881222186142161144191521236124212401219119719219711191112001601172184111144120011917112101731751511721107111212119311681168&ProductID=SAN64291&VendorID=1&>>

HiddenShoppingLists=&HiddenCustomerLists=&CartType=&FileID=&gclid=CMfBtJlzKACFQshDQodW0Ns0w>. Publicly available before Mar. 25, 2010.

Digital photograph of Pelikan 418 marker. Publicly available before Mar. 25, 2010.

Digital photograph of Pelikan 440 marker. Publicly available before Mar. 25, 2010.

Pelikan 725 marker. Retrieved from the Internet: <[http://www.pelikan.com/pulse/Pulsar/es\\_AR.Store.displayStore.20138./textmarker-725.html](http://www.pelikan.com/pulse/Pulsar/es_AR.Store.displayStore.20138./textmarker-725.html)>. Publicly available before Mar. 25, 2010.

Pelikan 414 marker. Retrieved from the internet: <[http://www.pelikan.com/pulse/Pulsar/es\\_MX.Store.displayStore.31032./marcatextos-414](http://www.pelikan.com/pulse/Pulsar/es_MX.Store.displayStore.31032./marcatextos-414)>. Publicly available before Mar. 25, 2010.

Digital photograph of Pelikan 414 marker. Publicly available before Mar. 25, 2010.

Sharpie 690 marker. Retrieved from the Internet: <[http://www.sharpie.com/esVE/Product/Marcador\\_Permanente\\_Sharpie\\_690.html](http://www.sharpie.com/esVE/Product/Marcador_Permanente_Sharpie_690.html)>. Publicly available before Mar. 25, 2010.

(Continued)

*Primary Examiner* — Karen E Eldridge Powers

(74) *Attorney, Agent, or Firm* — Marshall, Gerstein & Borun LLP

(57) **CLAIM**

The ornamental design for a writing instrument, as shown and described.

**DESCRIPTION**

FIG. 1 is a perspective view showing our new design for a writing instrument;

FIG. 2 is a front view of the writing instrument of FIG. 1;

FIG. 3 is a rear view of the writing instrument of FIG. 1;

FIG. 4 is a right side view of the writing instrument of FIG. 1;

FIG. 5 is a left side view of the writing instrument of FIG. 1;

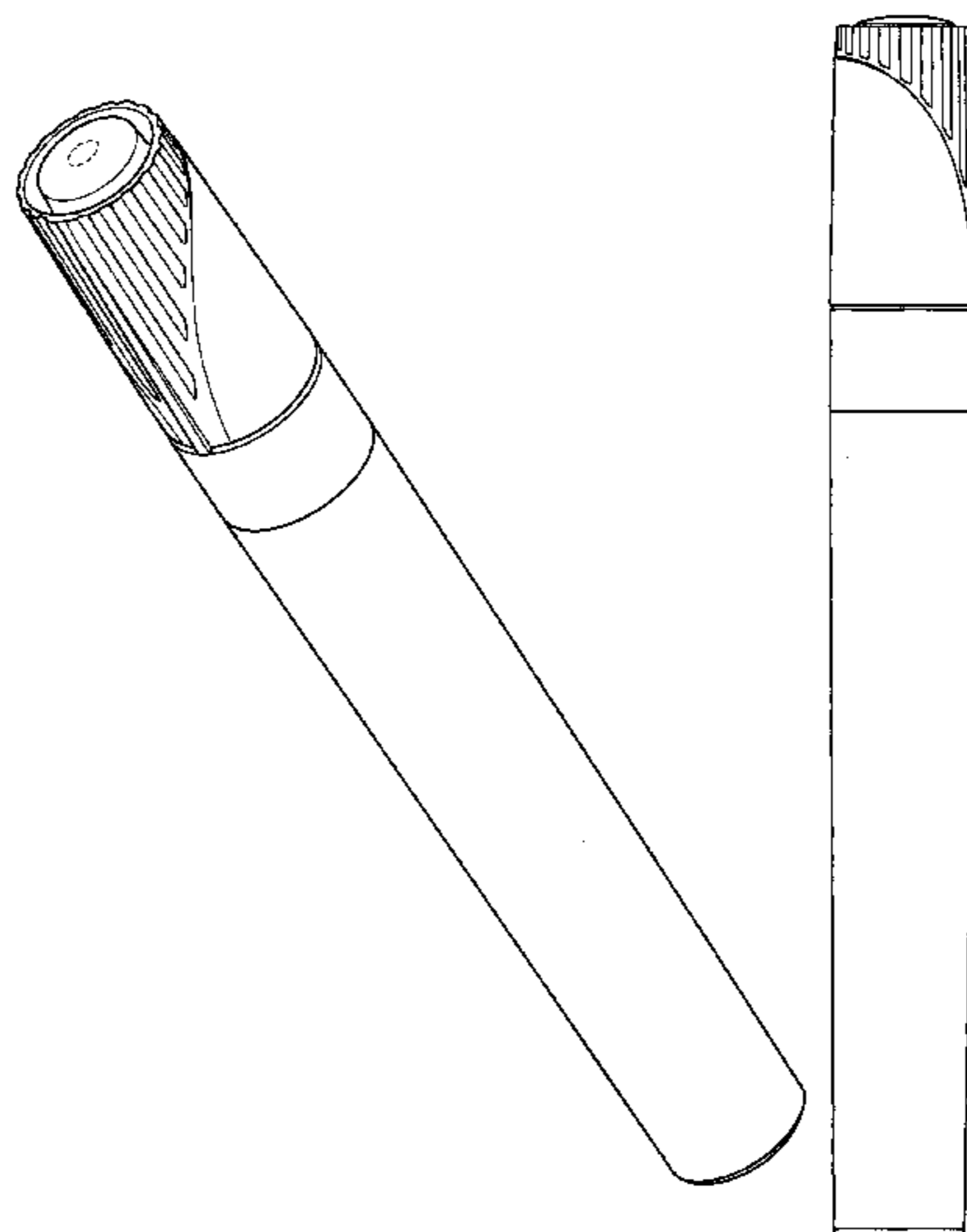
FIG. 6 is a top plan view of the writing instrument of FIG. 1;

and,

FIG. 7 is a bottom plan view of the writing instrument of FIG. 1.

The broken lines showing portions of the writing instrument are included for the purpose of illustrating environment and form no part of the claimed design.

**1 Claim, 3 Drawing Sheets**



OTHER PUBLICATIONS

Digital photograph of Berol Maracador Borrable marker. Publicly available before Mar. 25, 2010.

Digital photograph of Berol Alerta Plus marker. Publicly available before Mar. 25, 2010.

Papermate FeltPen Plus marker. Retrieved from the Internet: [http://ebusiness.newellrubbermaid.com/sanford/consumer/papermate/la/co/productos/accesorios\\_002.html](http://ebusiness.newellrubbermaid.com/sanford/consumer/papermate/la/co/productos/accesorios_002.html)>. Publicly available before Mar. 25, 2010.

Sharpie Accent 3D marker. Retrieved from the Internet: [http://www.sharpie.com/esVE/Product/Resaltador\\_Sharpie\\_Accent\\_3D.html](http://www.sharpie.com/esVE/Product/Resaltador_Sharpie_Accent_3D.html)>. Publicly available before Mar. 25, 2010.

Avery Marks-a-Lot marker. Retrieved from the Internet: <http://www.avery.com/avery/override/imageViewer.jsp?name=Avery%2526amp%253Breg%253B%2520Marks-A-Lot%2526amp%253Breg%253B%2520Chisel%2520Tip%2520>

[Permanent%2520Marker%2520Set%25207903%2520C%2520Black%2520Pack%2520of%25204&image=AveryDennison/71709-07903-p03p&locale=en\\_us](http://www.avery.com/avery/override/imageViewer.jsp?name=Avery%2526amp%253Breg%253B%2520Permanent%2520Marker%2520Set%25207903%2520C%2520Black%2520Pack%2520of%25204&image=AveryDennison/71709-07903-p03p&locale=en_us)>. Publicly available before Mar. 25, 2010.

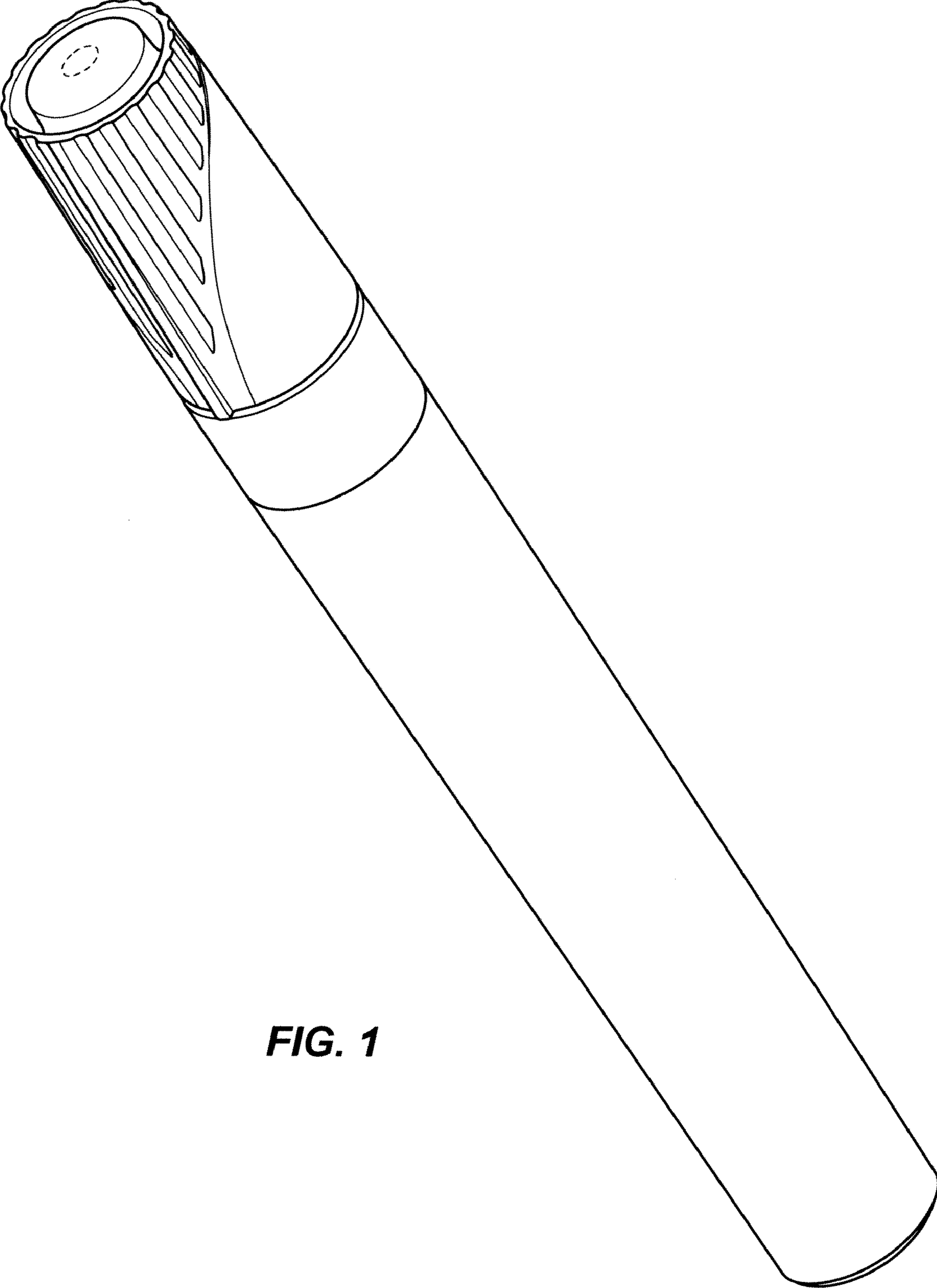
Digital photograph of INC marker. Publicly available before Mar. 25, 2010.

Digital photograph of Just Basics marker. Publicly available before Mar. 25, 2010.

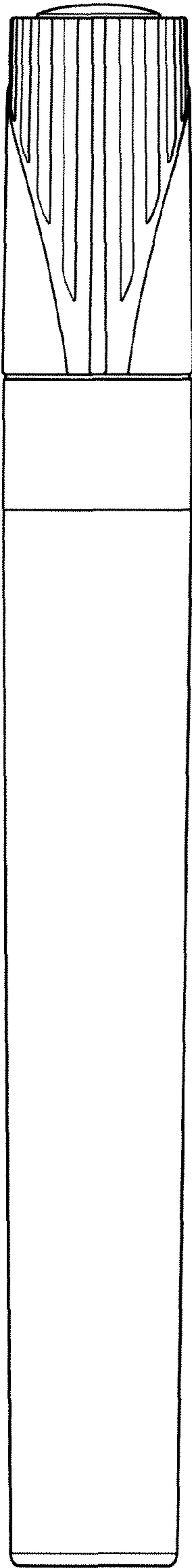
Staples marker. Retrieved from the Internet: [http://www.staples.com/Staples-Chisel-Tip-Permanent-Markers-Black-Dozen/product\\_167056?cmArea=SC1:CG11:DP1101:CL140896:SS1010848](http://www.staples.com/Staples-Chisel-Tip-Permanent-Markers-Black-Dozen/product_167056?cmArea=SC1:CG11:DP1101:CL140896:SS1010848)>. Publicly available before Mar. 25, 2010.

Chartpak art marker. Retrieved from the Internet: <http://www.dickblick.com/products/chartpak-ad-markers/>>. Publicly available before Mar. 25, 2010.

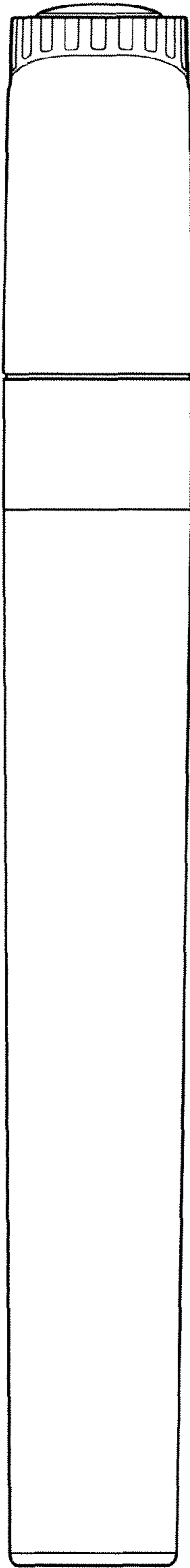
\* cited by examiner



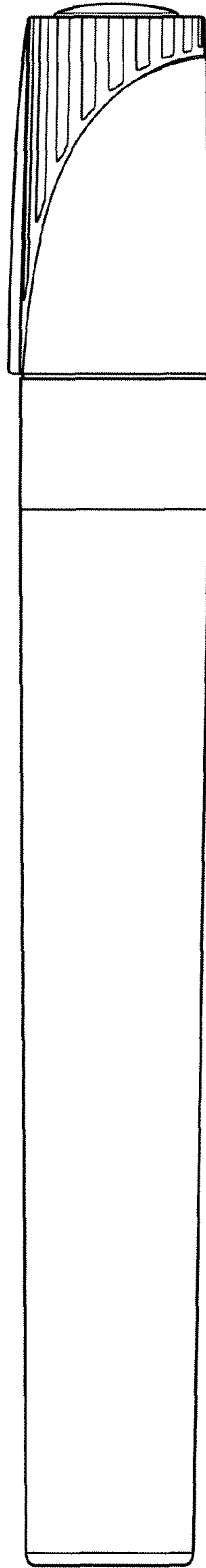
**FIG. 1**



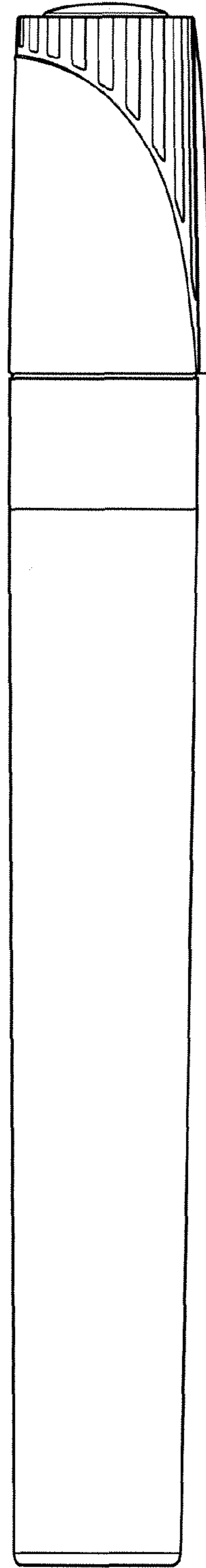
**FIG. 2**



**FIG. 3**

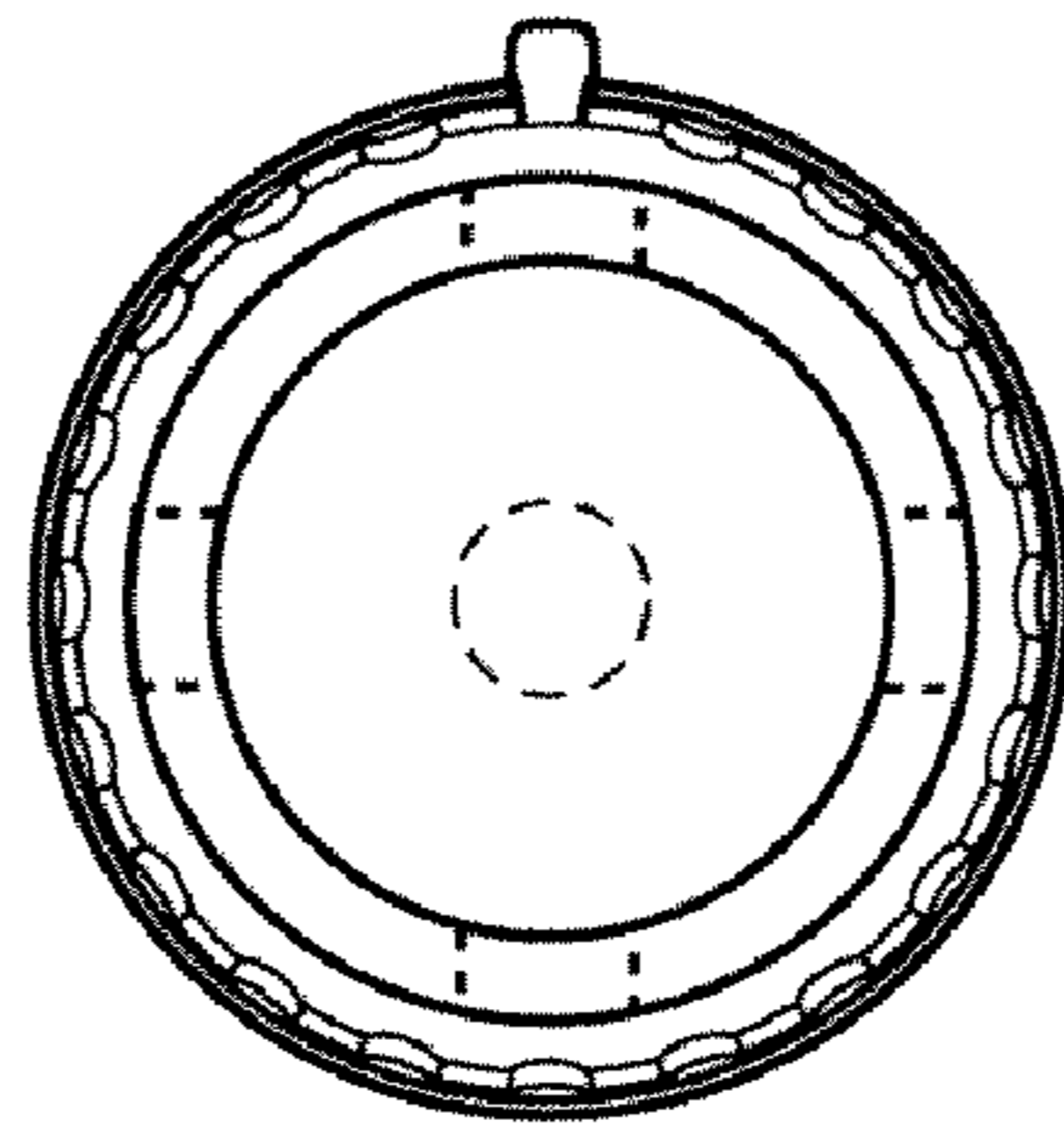


**FIG. 4**

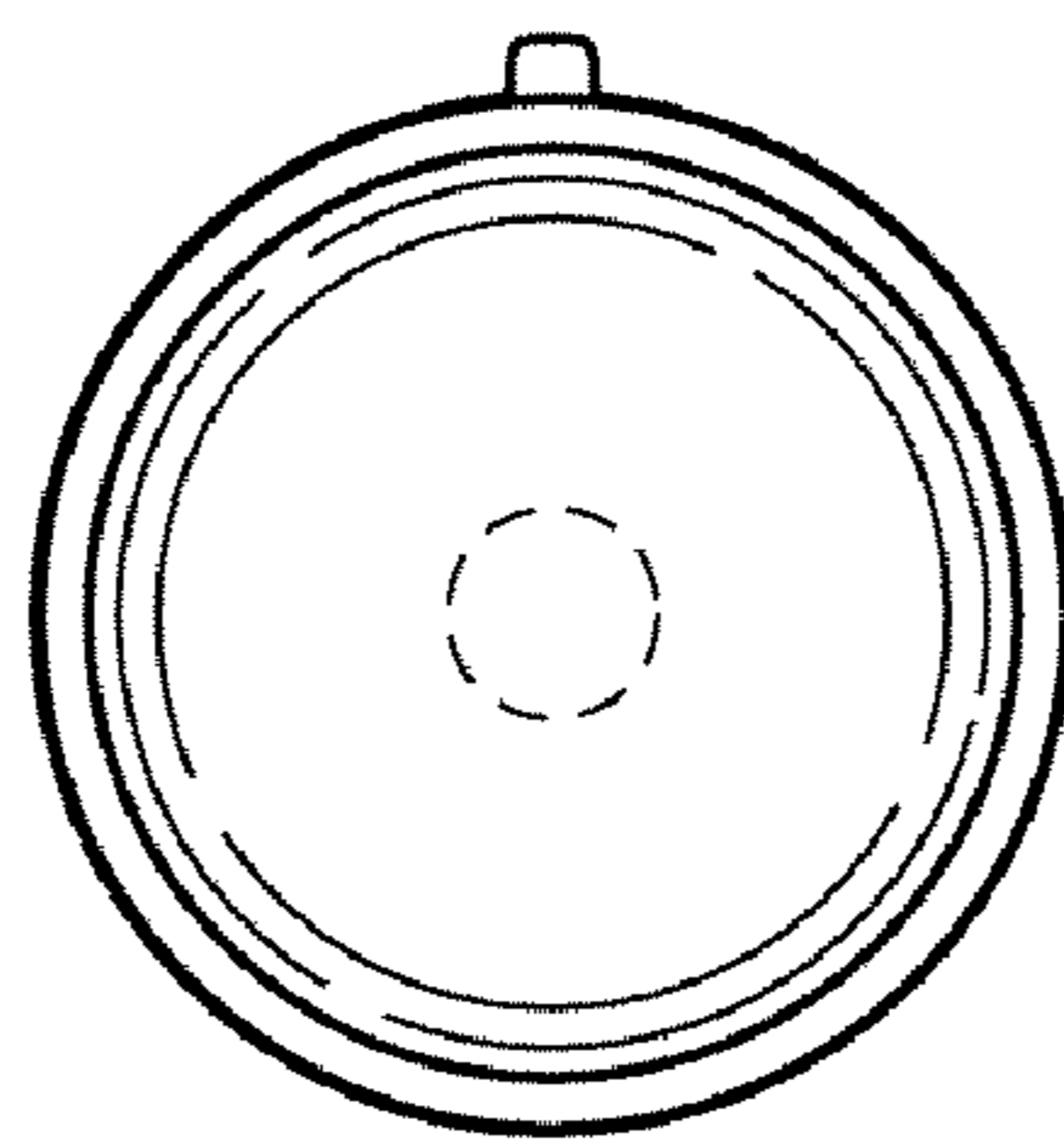


**FIG. 5**





**FIG. 6**



**FIG. 7**