



US00D640306S

(12) **United States Design Patent**
Hashiguchi

(10) **Patent No.:** **US D640,306 S**

(45) **Date of Patent:** **** Jun. 21, 2011**

(54) **VIDEO CAMERA TRIPOD ADAPTER**

(75) Inventor: **Kentaro Hashiguchi**, Aichi (JP)

(73) Assignee: **Nihon Video System Co., Ltd.**, Aichi (JP)

(**) Term: **14 Years**

(21) Appl. No.: **29/367,275**

(22) Filed: **Aug. 5, 2010**

(30) **Foreign Application Priority Data**

Feb. 18, 2010 (JP) 2010-005427

(51) **LOC (9) Cl.** **16-05**

(52) **U.S. Cl.** **D16/245; D16/242**

(58) **Field of Classification Search** D16/242,
D16/243, 244, 245; 248/177.1, 178.1; 396/419,
396/420-422, 428

See application file for complete search history.

(56) **References Cited**

U.S. PATENT DOCUMENTS

D299,243 S * 1/1989 Iwasaki D16/244

D307,286 S * 4/1990 Ginder D16/242

D376,380 S * 12/1996 Yang et al. D16/242

6,019,326 A * 2/2000 Baerwolf et al. 248/177.1

7,452,142 B1 * 11/2008 Smith 396/422

D630,239 S * 1/2011 Huguley D16/243

* cited by examiner

Primary Examiner — Adir Aronovich

(74) *Attorney, Agent, or Firm* — Nixon & Vanderhye, P.C.

(57) **CLAIM**

The ornamental design for a video camera tripod adapter, as shown and described.

DESCRIPTION

FIG. 1 is a top, right, front perspective view of a video camera tripod adapter in accordance with my new design; FIG. 2 is a top, left, front perspective view thereof; FIG. 3 is a bottom, right, rear perspective view thereof; FIG. 4 is a front elevation view thereof; FIG. 5 is a rear elevation view thereof; FIG. 6 is a top plan view thereof; FIG. 7 is a bottom plan view thereof; FIG. 8 is a right side elevation view thereof; and, FIG. 9 is a left side view thereof.

1 Claim, 8 Drawing Sheets

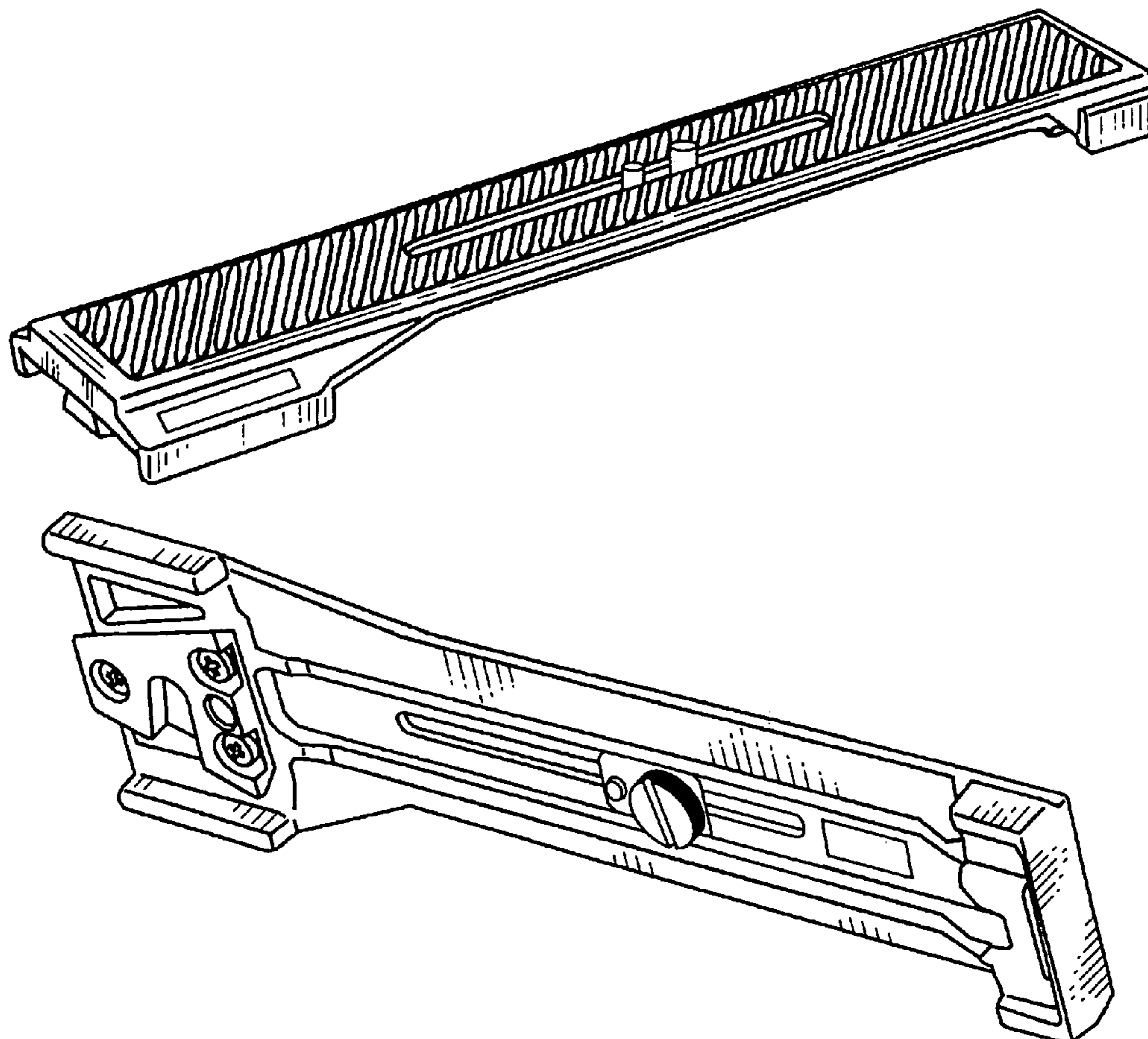


FIG. 1

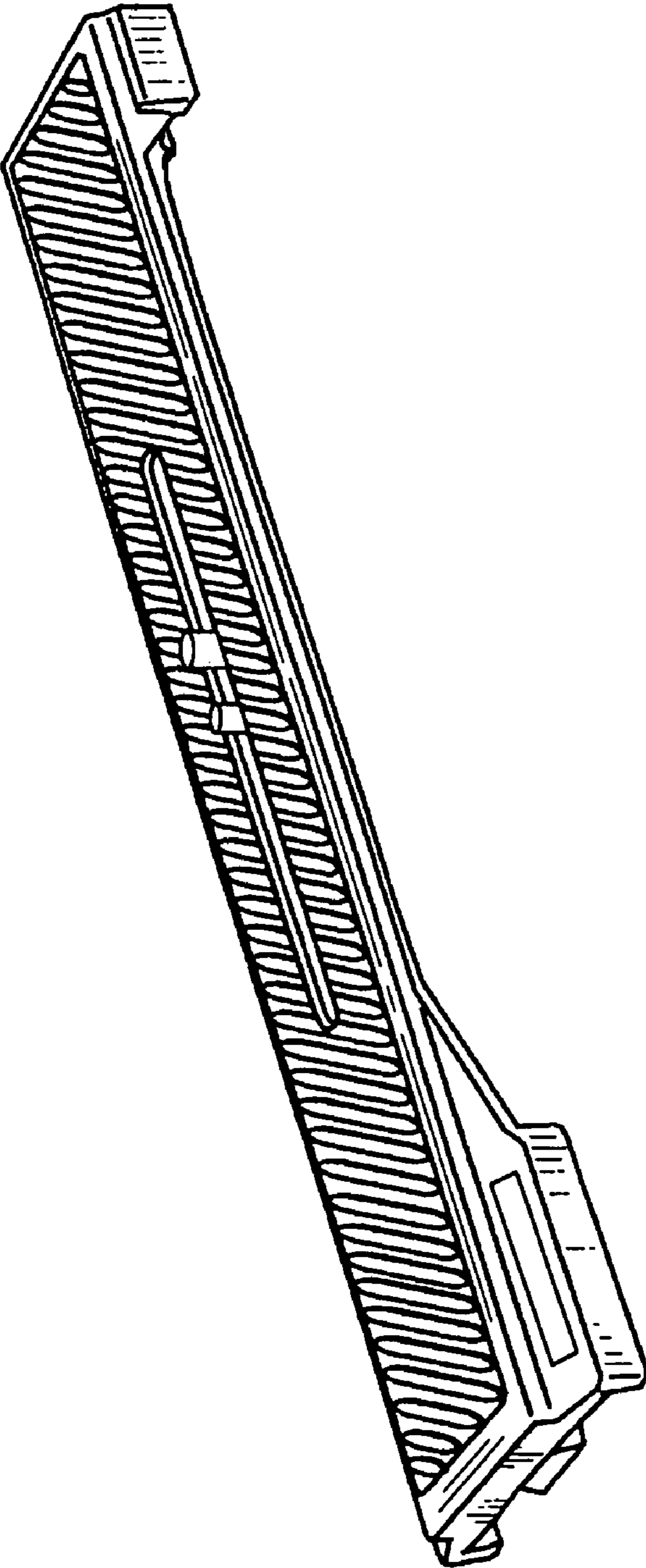


FIG. 2

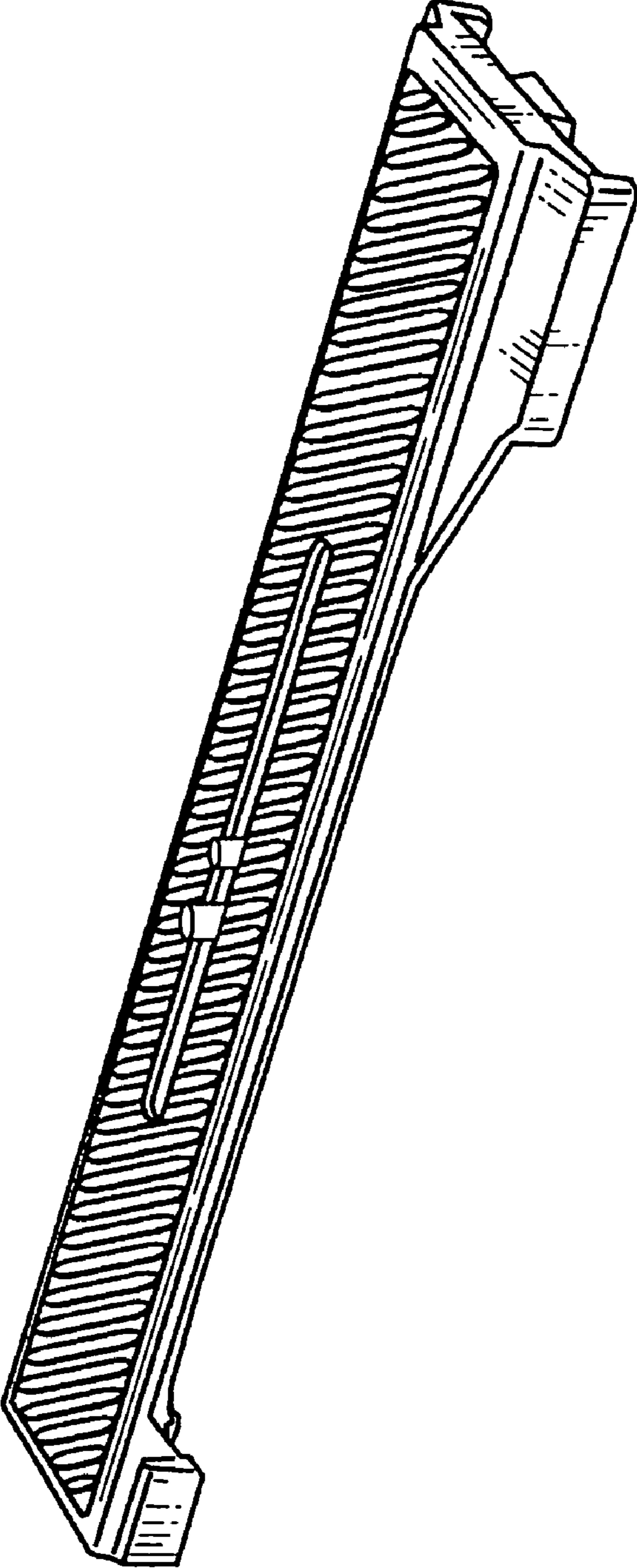


FIG. 3

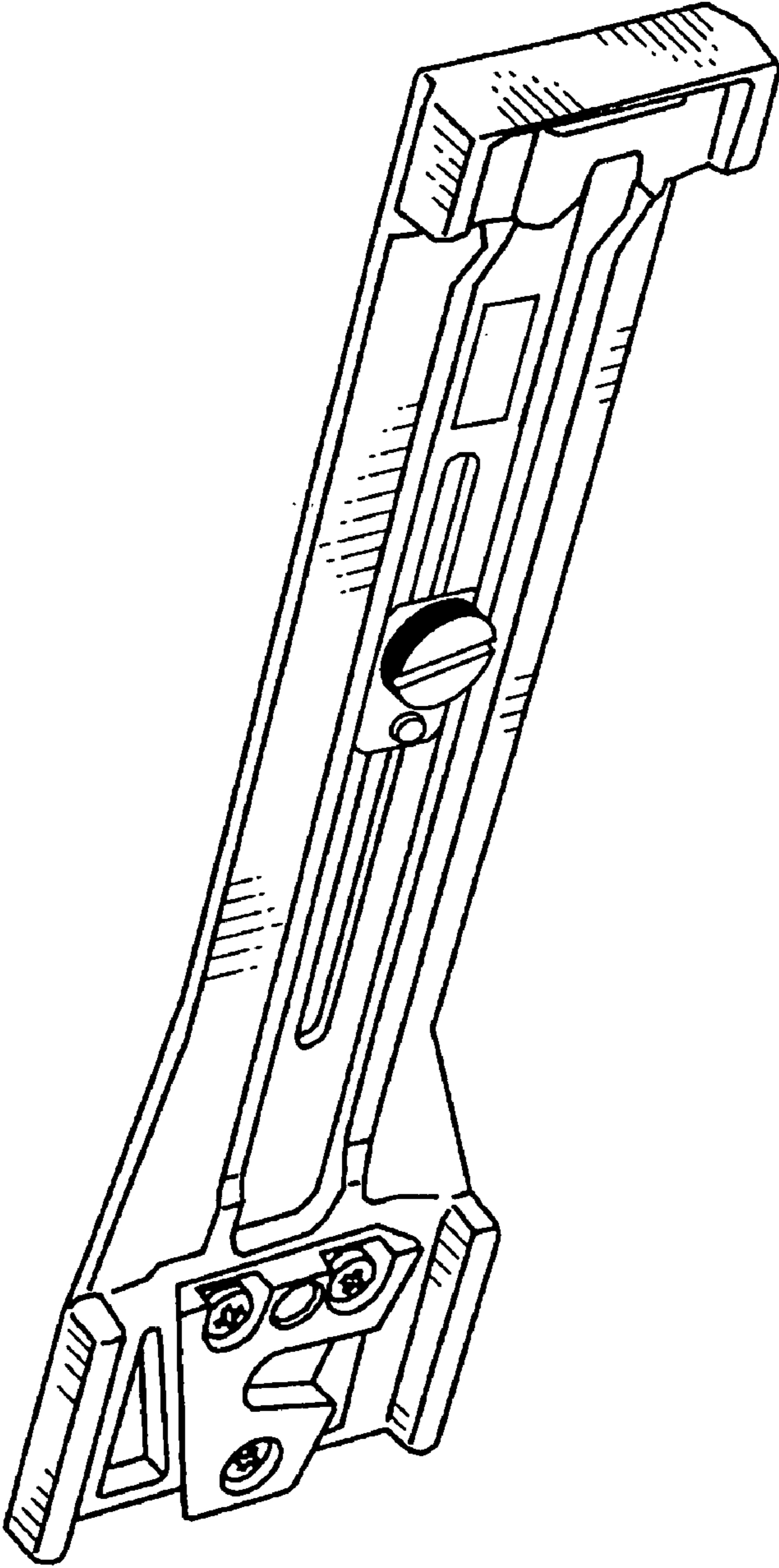


FIG. 4



FIG. 5



FIG. 6

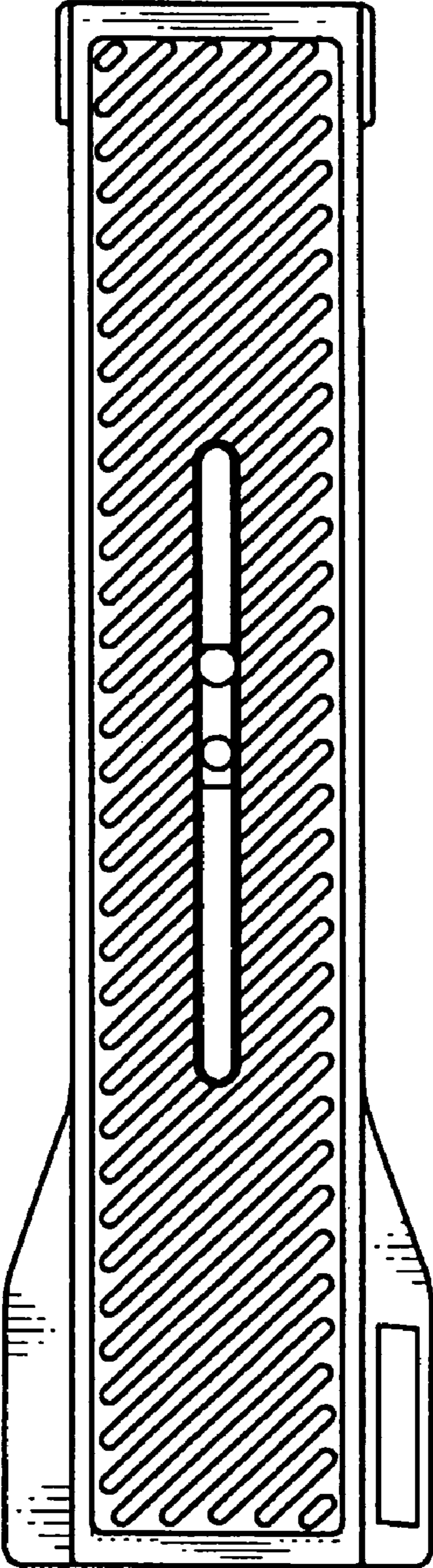


FIG. 7

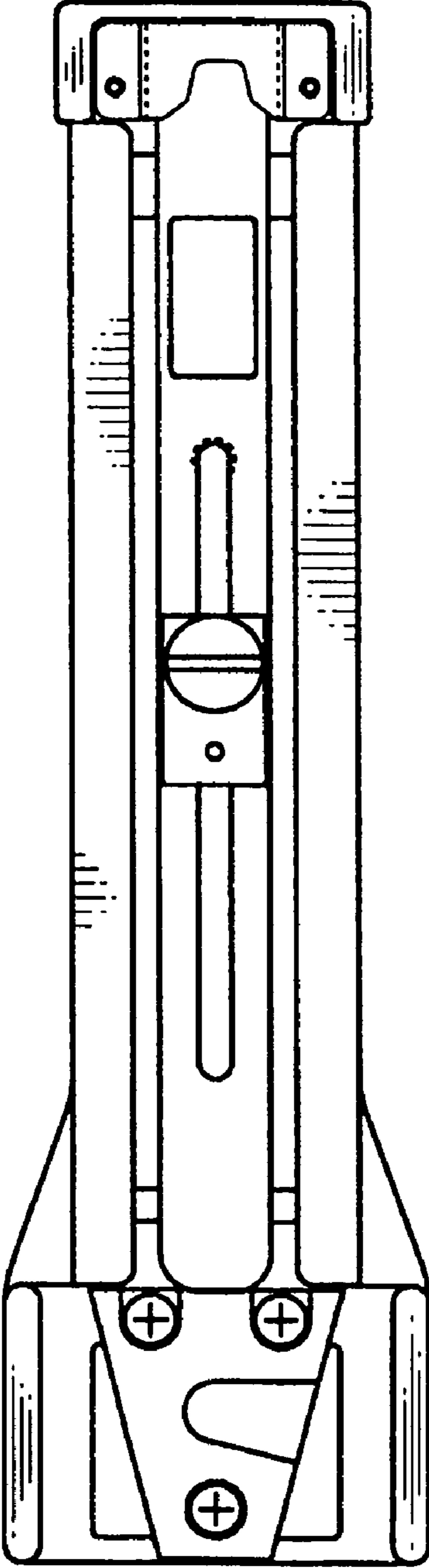


FIG. 8

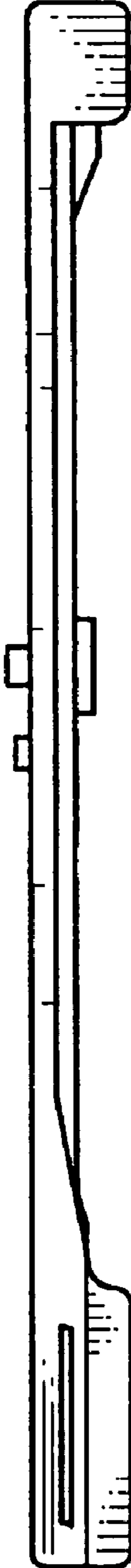


FIG. 9

