



US00D640305S

(12) **United States Design Patent**
Hashiguchi

(10) **Patent No.:** **US D640,305 S**

(45) **Date of Patent:** **** Jun. 21, 2011**

(54) **VIDEO CAMERA SHOULDER ADAPTER**

(56) **References Cited**

(75) **Inventor:** **Kentaro Hashiguchi, Aichi (JP)**

U.S. PATENT DOCUMENTS

(73) **Assignee:** **Nihon Video System Co., Ltd., Aichi (JP)**

D246,372	S	*	11/1977	Yoshino	D16/243
D258,067	S	*	1/1981	Bogart, Jr.	D16/243
D427,223	S	*	6/2000	Shimamura et al.	D16/242
7,549,807	B2	*	6/2009	Nazarian	396/420
D624,949	S	*	10/2010	Nakayama et al.	D16/242
2010/0067894	A1	*	3/2010	Arbuckle et al.	396/419

(**) **Term:** **14 Years**

* cited by examiner

(21) **Appl. No.:** **29/367,276**

Primary Examiner — Adir Aronovich

(22) **Filed:** **Aug. 5, 2010**

(74) *Attorney, Agent, or Firm* — Nixon & Vanderhye, P.C.

(30) **Foreign Application Priority Data**

(57) **CLAIM**

The ornamental design for a video camera shoulder adapter, as shown and described.

Feb. 18, 2010 (JP) 2010-005428

(51) **LOC (9) Cl.** **16-05**

(52) **U.S. Cl.** **D16/243; D16/242**

(58) **Field of Classification Search** D16/242,
D16/243, 245; 248/178.1; 396/419, 420-422,
396/428

See application file for complete search history.

DESCRIPTION

FIG. 1 is a top, right, rear perspective view of a video camera shoulder adapter in accordance with my new design; FIG. 2 is a bottom, left, rear perspective view thereof; FIG. 3 is a front elevation view thereof; FIG. 4 is a rear elevation view thereof; FIG. 5 is a top plan view thereof; and FIG. 6 is a bottom plan view thereof; FIG. 7 is a right side elevation view thereof; and, FIG. 8 is a left side elevation view thereof.

1 Claim, 7 Drawing Sheets

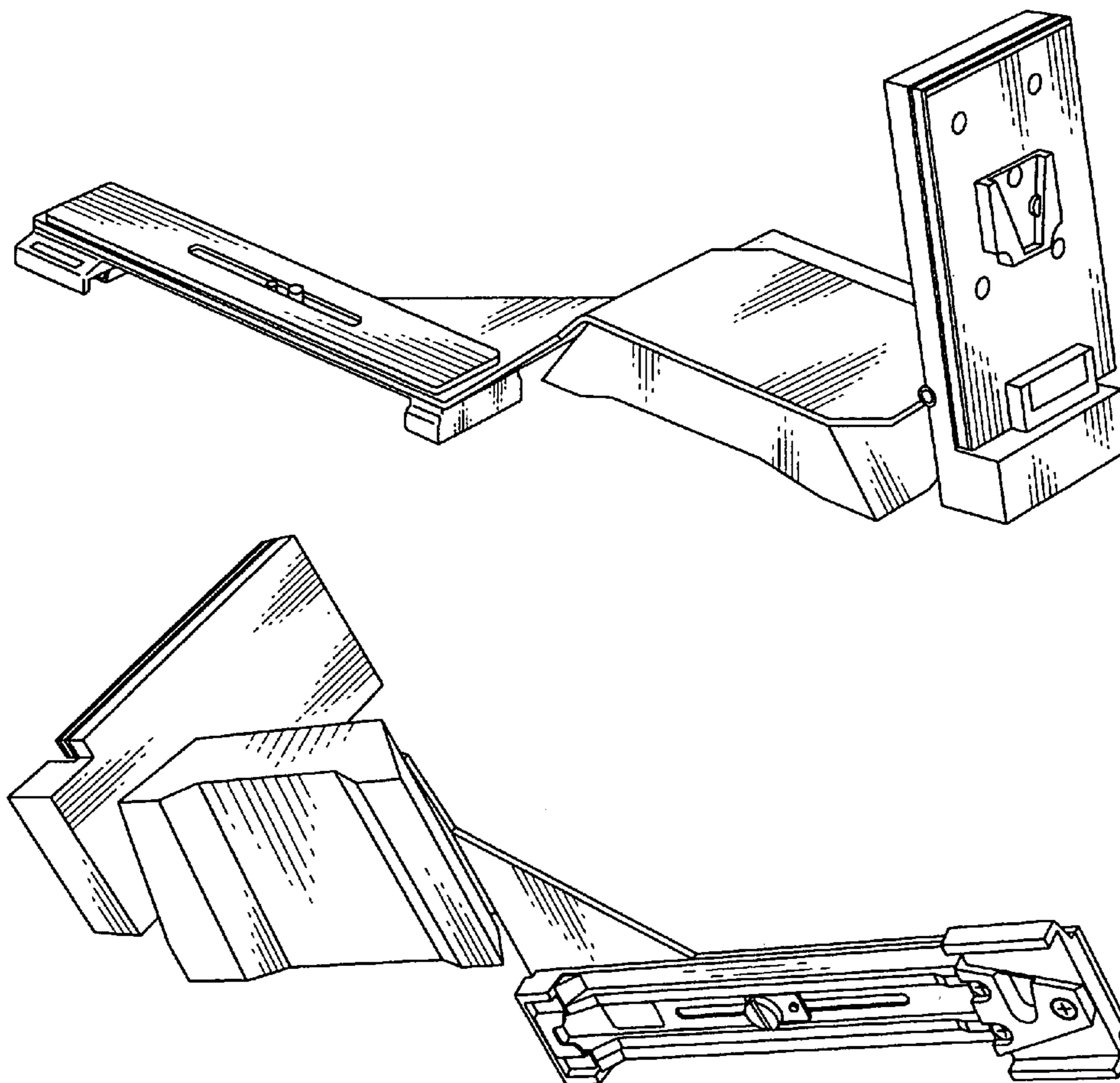


FIG. 1

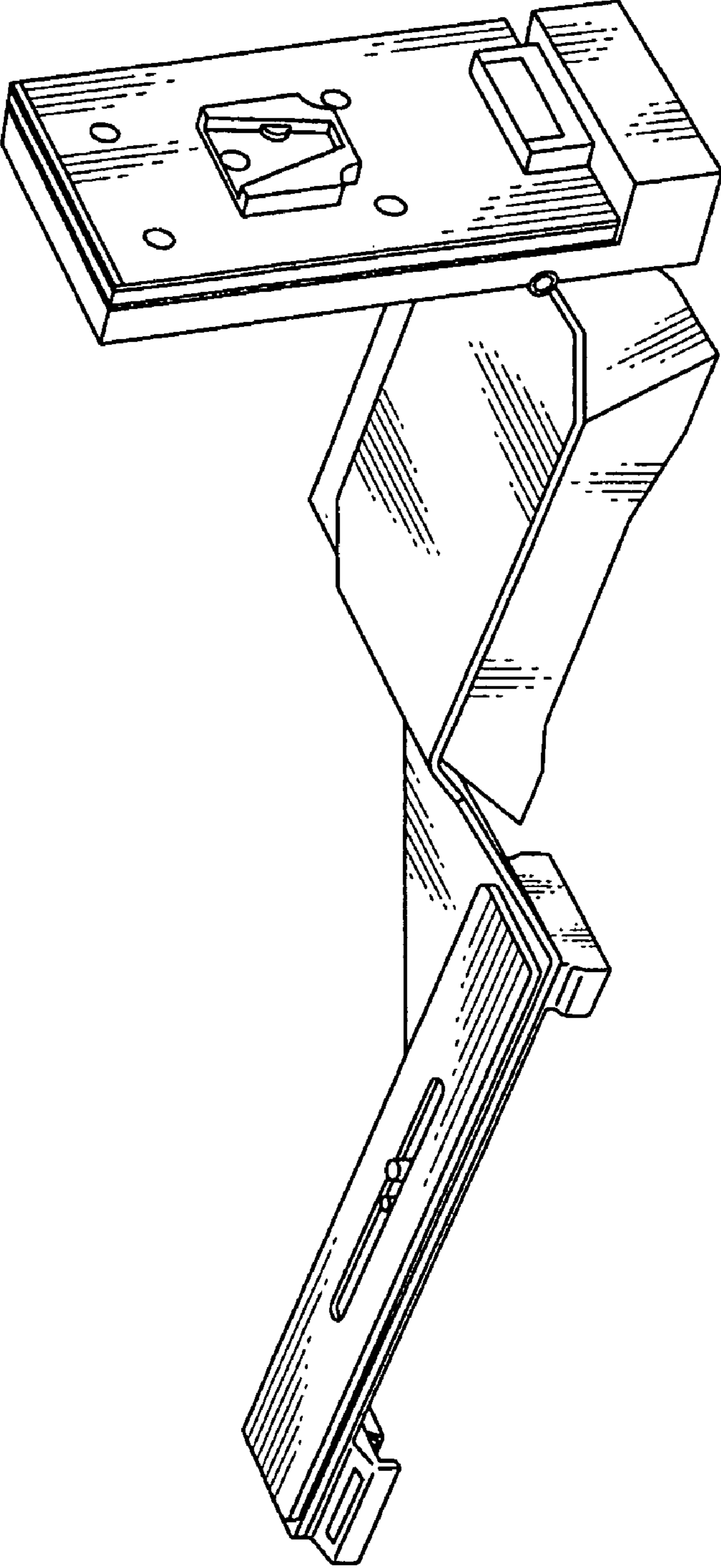


FIG. 2

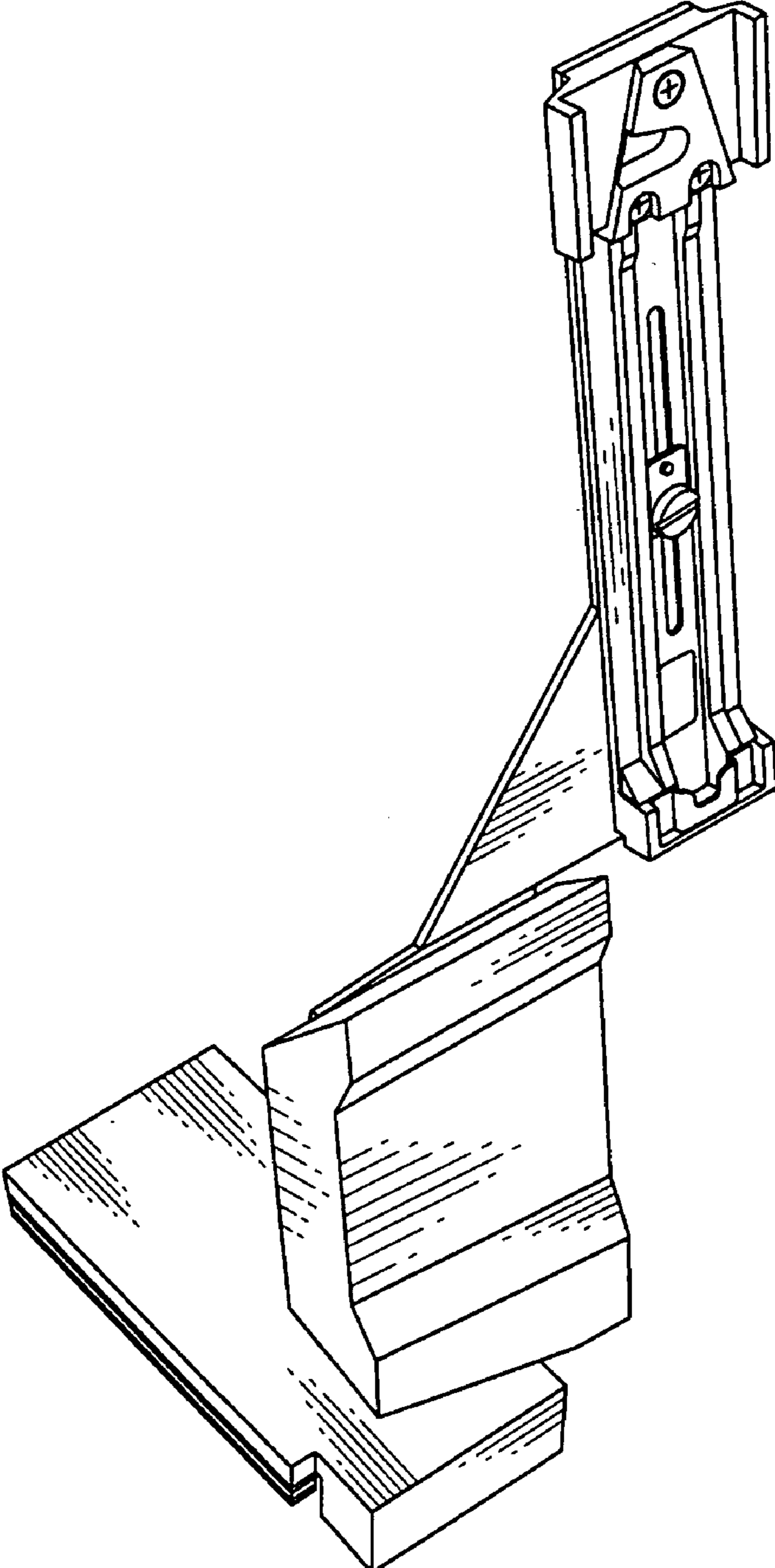


FIG. 3

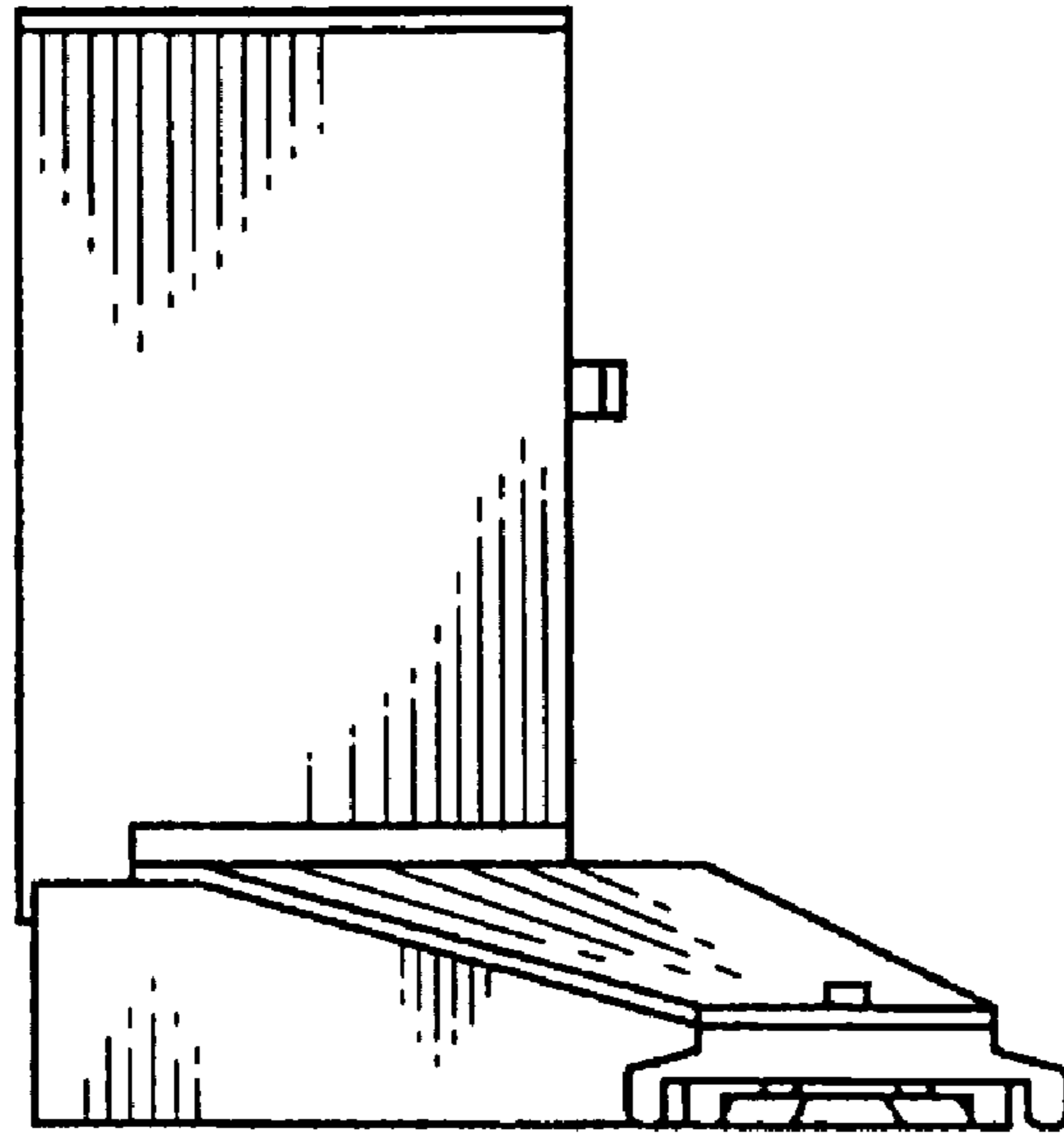


FIG. 4

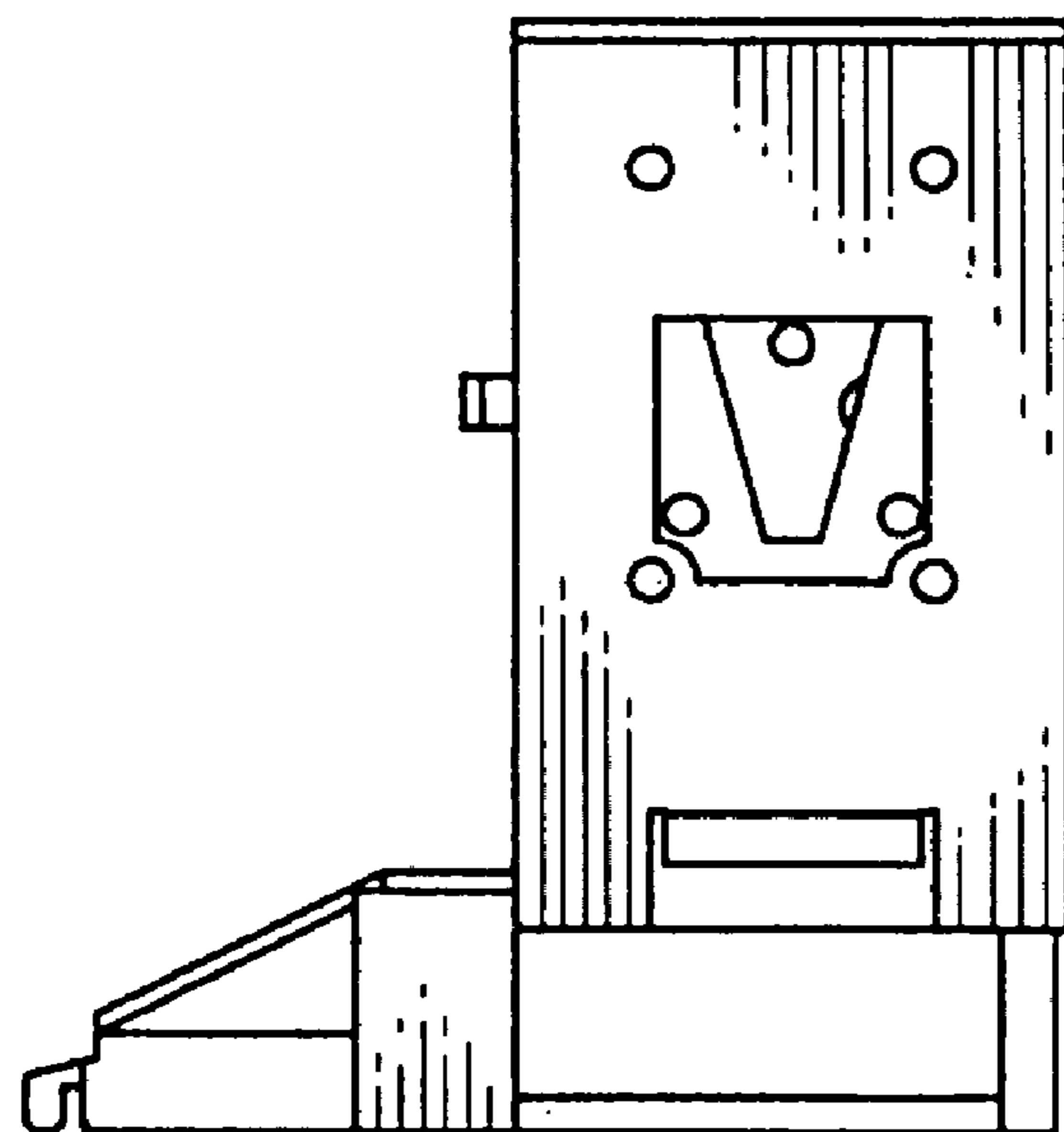


FIG. 5

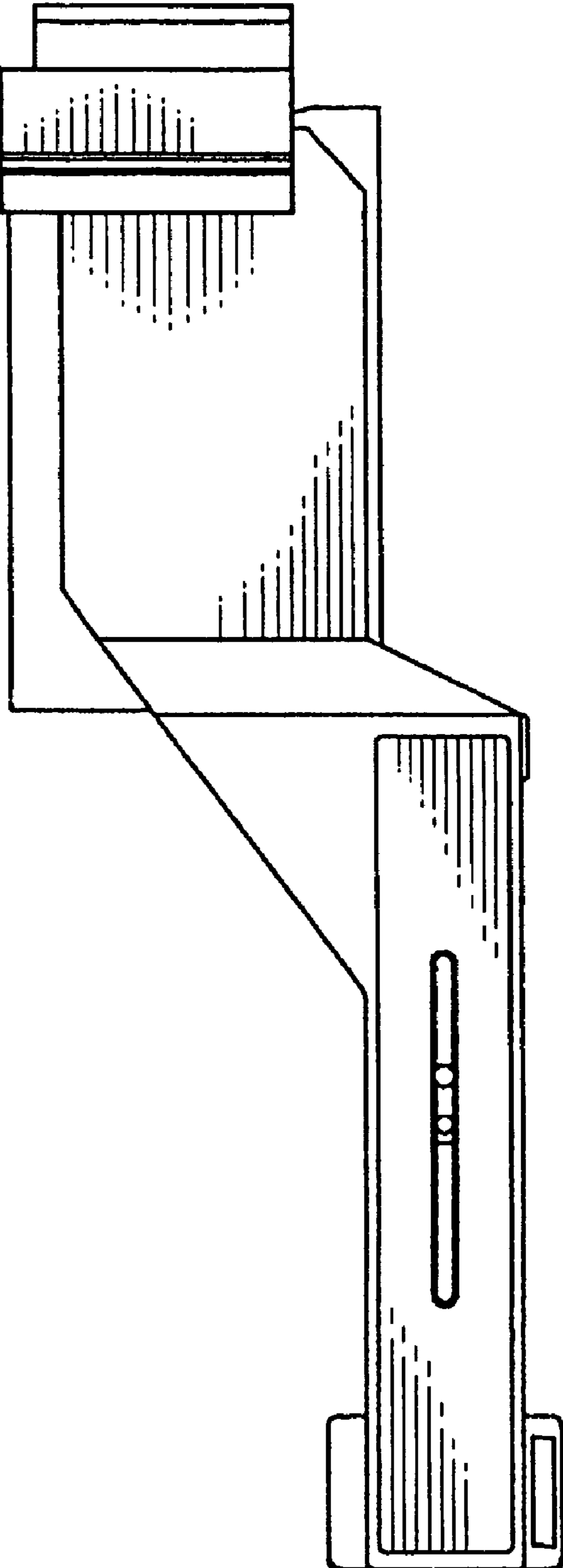


FIG. 6

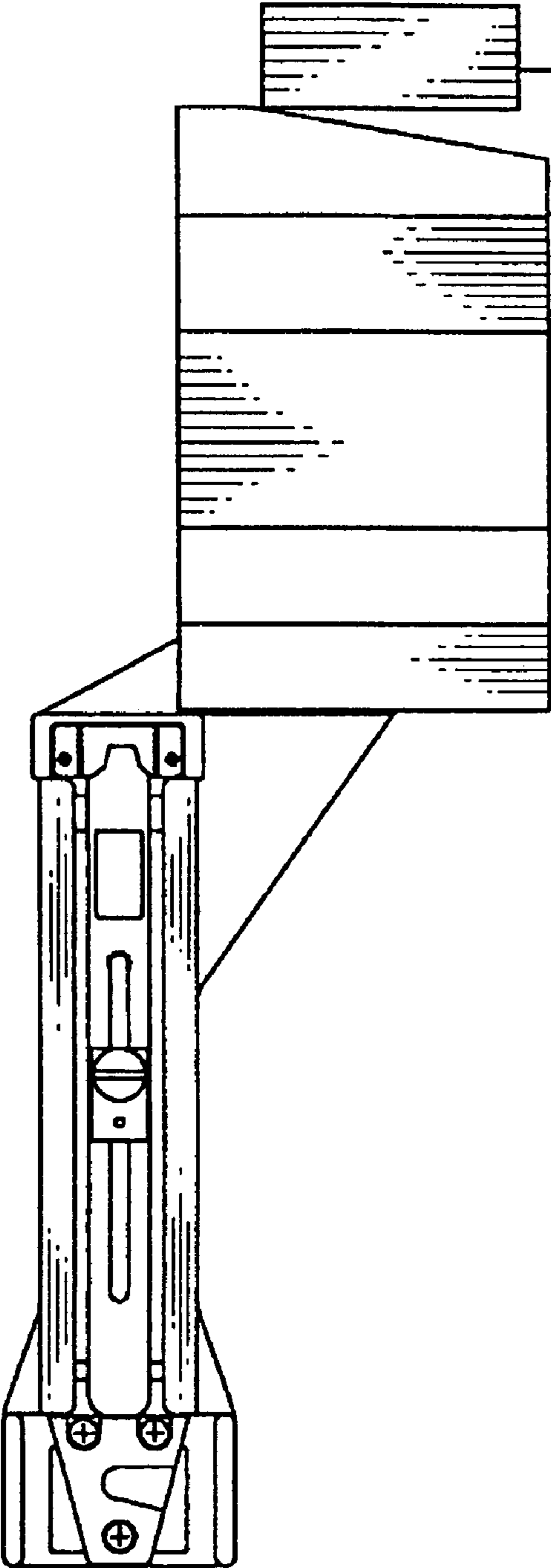


FIG. 7

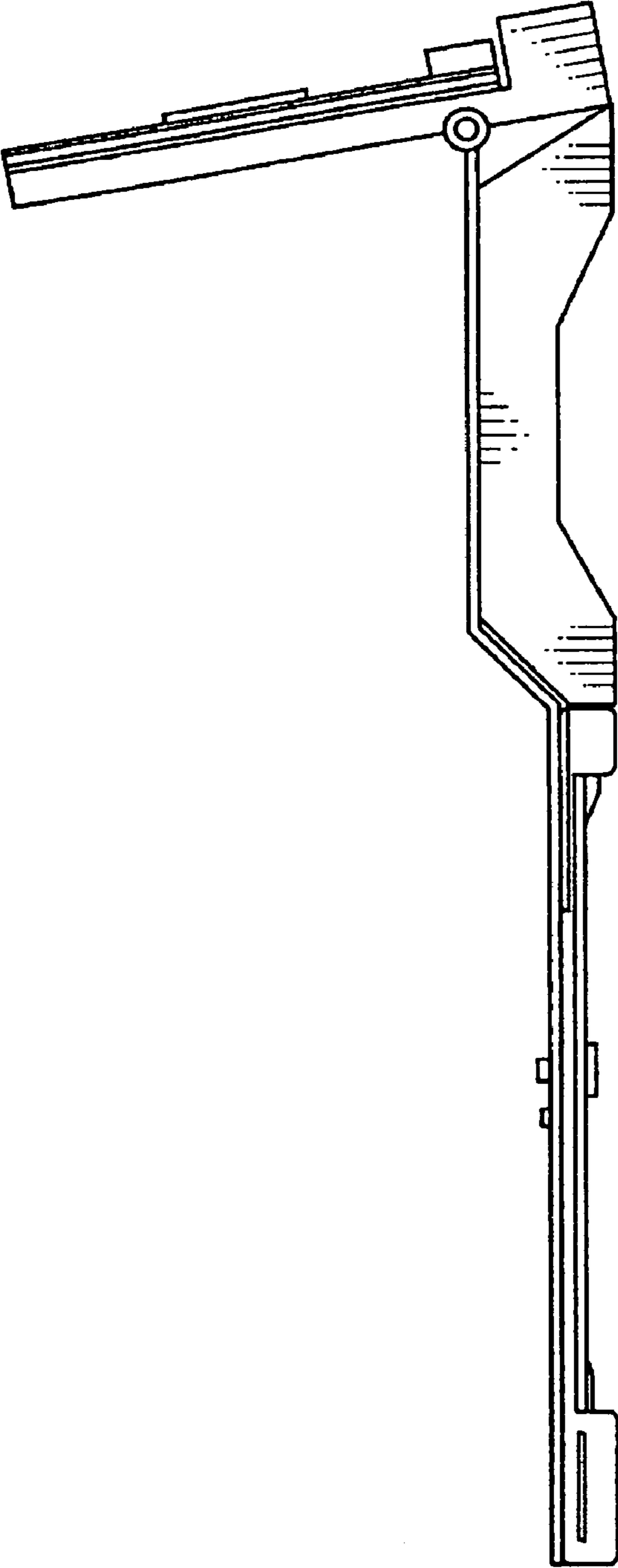


FIG. 8

