



US00D640304S

(12) **United States Design Patent**
Green et al.

(10) **Patent No.:** **US D640,304 S**
(45) **Date of Patent:** **** Jun. 21, 2011**

(54) **BASE MOUNT FOR SECURING A PORTABLE CAMERA**

(75) Inventors: **Jason Green**, Seattle, WA (US); **Marc Barros**, Bellevue, WA (US); **David Thorpe**, Portland, OR (US); **Chunshik Kim**, Portland, OR (US); **Felix Ballerstedt**, Portland, OR (US); **David Randall Knaub**, Portland, OR (US); **Oved Valadez**, Portland, OR (US); **Peter Kettering**, Reinheim (DE)

(73) Assignee: **Contour, Inc.**, Seattle, WA (US)

(**) Term: **14 Years**

(21) Appl. No.: **29/356,376**

(22) Filed: **Feb. 24, 2010**

Related U.S. Application Data

(63) Continuation of application No. 29/322,219, filed on Jul. 30, 2008, now Pat. No. Des. 616,006, and a continuation of application No. PCT/US2008/071661, filed on Jul. 30, 2008.

(51) **LOC (9) Cl.** **16-05**

(52) **U.S. Cl.** **D16/242**

(58) **Field of Classification Search** D16/237, D16/242, 243, 245; 248/187.1; 348/373, 348/375, 376; 396/419, 535, 540, 541
See application file for complete search history.

(56) **References Cited**

U.S. PATENT DOCUMENTS

4,516,157 A	5/1985	Campbell
4,525,045 A	6/1985	Fazekas
5,218,439 A	6/1993	Mizoguchi et al.
5,557,329 A	9/1996	Lim
5,583,571 A	12/1996	Friedland
D378,095 S	2/1997	Hasegawa

D392,300 S	3/1998	Chow et al.
5,859,666 A	1/1999	Manabe
5,966,176 A	10/1999	Chow et al.
6,028,627 A	2/2000	Helmsderfer
6,091,831 A	7/2000	Cho
D430,888 S	9/2000	Adachi et al.
6,142,437 A	11/2000	Wilkins, Jr.
6,377,302 B1	4/2002	Ozaki et al.
6,421,088 B1	7/2002	Lee
D484,168 S *	12/2003	Dordick D16/242
6,704,044 B1	3/2004	Foster et al.
6,819,354 B1	11/2004	Foster et al.
D506,489 S	6/2005	Owada
D510,374 S	10/2005	Greenwood et al.
7,006,144 B2	2/2006	Holmberg

(Continued)

FOREIGN PATENT DOCUMENTS

CA 2 463 117 A1 8/2004

(Continued)

OTHER PUBLICATIONS

International Application No. PCT/US2008/71661, filed Jul. 30, 2008.

(Continued)

Primary Examiner — Adir Aronovich

(74) *Attorney, Agent, or Firm* — Stoel Rives LLP

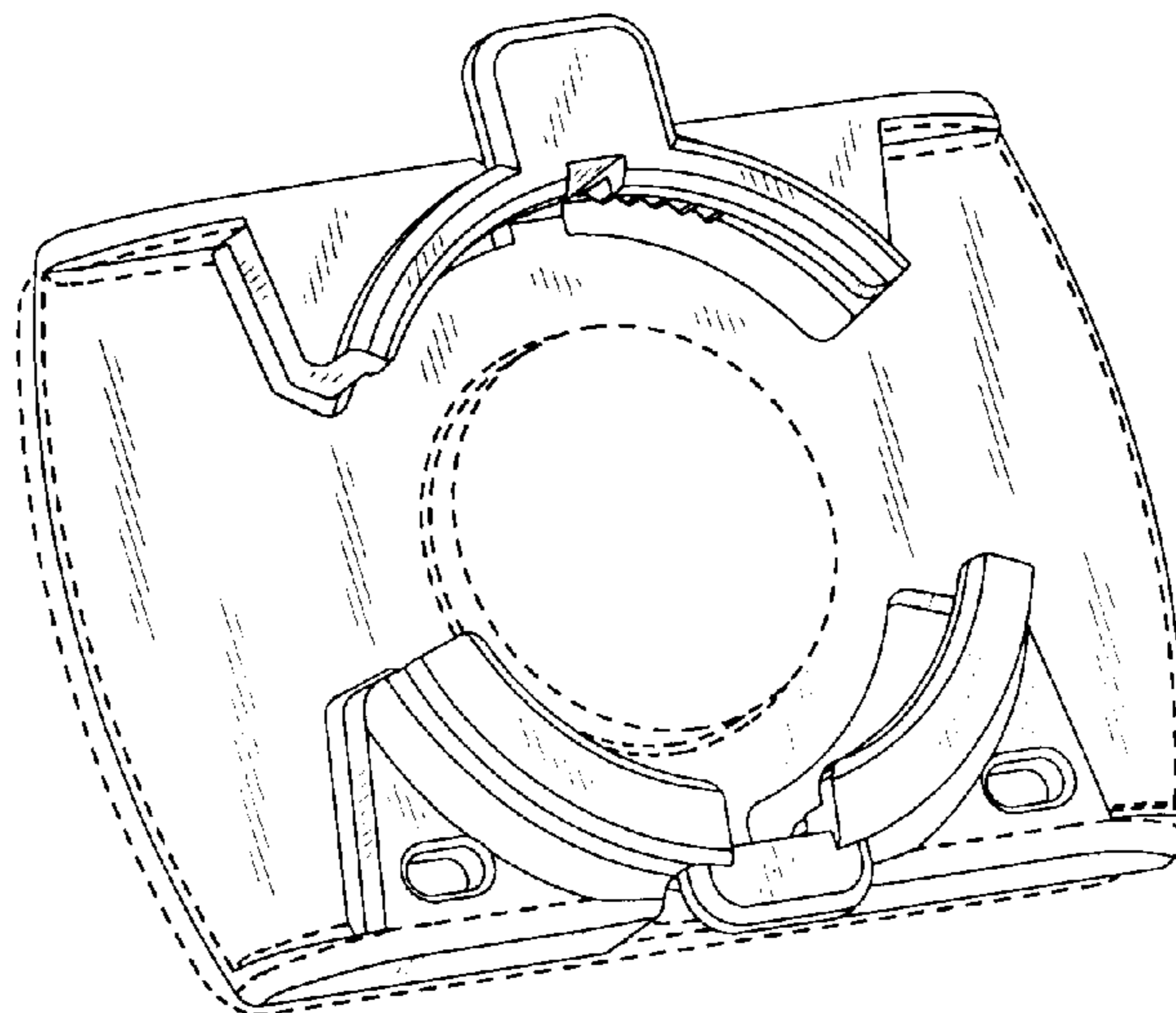
(57) **CLAIM**

The ornamental design for a base mount for securing a portable camera, as shown and described.

DESCRIPTION

FIG. 1 is a top, front, and left perspective view of a base mount for securing a portable camera; and, FIG. 2 is a top plan view thereof. The broken lines showing in FIGS. 1 and 2 are for illustrative purposes only and form no part of the claimed design.

1 Claim, 1 Drawing Sheet



US D640,304 S

Page 2

U.S. PATENT DOCUMENTS

D547,346 S 7/2007 Ollila
D555,699 S * 11/2007 Oh et al. D16/242
D558,805 S 1/2008 Sadatsuki
D581,959 S 12/2008 Chan
7,522,834 B2 4/2009 Heaven et al.
D592,231 S 5/2009 Schnell
D596,658 S * 7/2009 Dordick D16/242
D623,682 S * 9/2010 Volpato D16/245
2002/0067920 A1 6/2002 Weng et al.
2004/0004825 A1 1/2004 Malard et al.
2005/0200750 A1 9/2005 Ollila
2006/0055786 A1 3/2006 Ollila
2006/0274171 A1 12/2006 Wang
2007/0111754 A1 5/2007 Marshall et al.
2010/0066899 A1 3/2010 Holmberg
2010/0128166 A1 5/2010 Holmberg

FOREIGN PATENT DOCUMENTS

DE 198 31 819 C1 7/1998
DE 20 2004 001 608 U1 6/2004
EP 0980181 2/2000
EP 1 944 965 A1 7/2008
JP 61-118076 6/1986
JP 08-223524 8/1996
WO WO 94/26061 11/1994
WO WO 2007/077759 A1 7/2007

OTHER PUBLICATIONS

Nov. 2, 2009 world wide web (“[http://www.helmkameras24.de/Oregon-Scientific-ATC-9000_c25 . . .](http://www.helmkameras24.de/Oregon-Scientific-ATC-9000_c25...)”) 2-page printout concerning new item Oregon Scientific ATC 9000.

Nov. 2, 2009 world wide web (“<http://www.actioncameras.co.uk/X170>”) 4-page printout concerning X170 Action Camera and its mounts.

Austrian Patent Office, Search and Opinion on Legal Validity, Aug. 3, 2010 (German language version and English translation).

Supplemental Search Report from the European Patent Office concerning related European Patent Application No. 08782542.8.

English language machine translation of JP 08-223524.

Drawing of subject matter of a photograph of a Midlandradio goggle mount for a camera. The photograph was taken at the CES Trade Show, Jan. 2010. The photograph was previously submitted as reference CL.

Drawing of subject matter of a photograph of a Midlandradio goggle mount for a camera with a plug mount inserted into the goggle mount and with a camera showing in the foreground. The photograph was taken at the CES Trade Show, Jan. 2010. The photograph was previously submitted as reference CM.

Drawing of subject matter from a print out from an Internet website: https://www.midlandradio.com/Resource_/Product/1390/Detail/LargeImage/Goggle%20Mou..., Oct. 18, 2010. The website printout was previously submitted as reference CN.

* cited by examiner

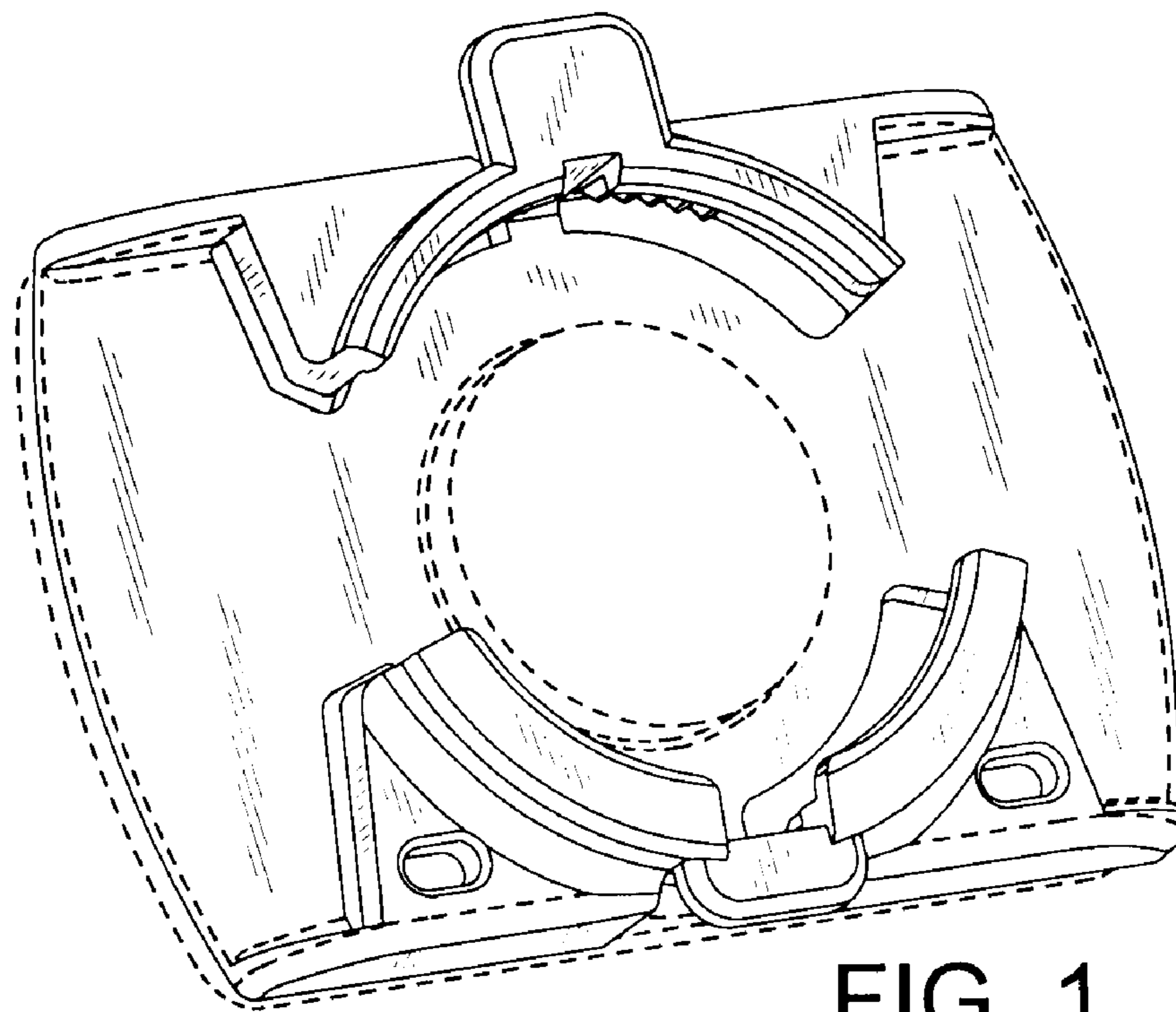


FIG. 1

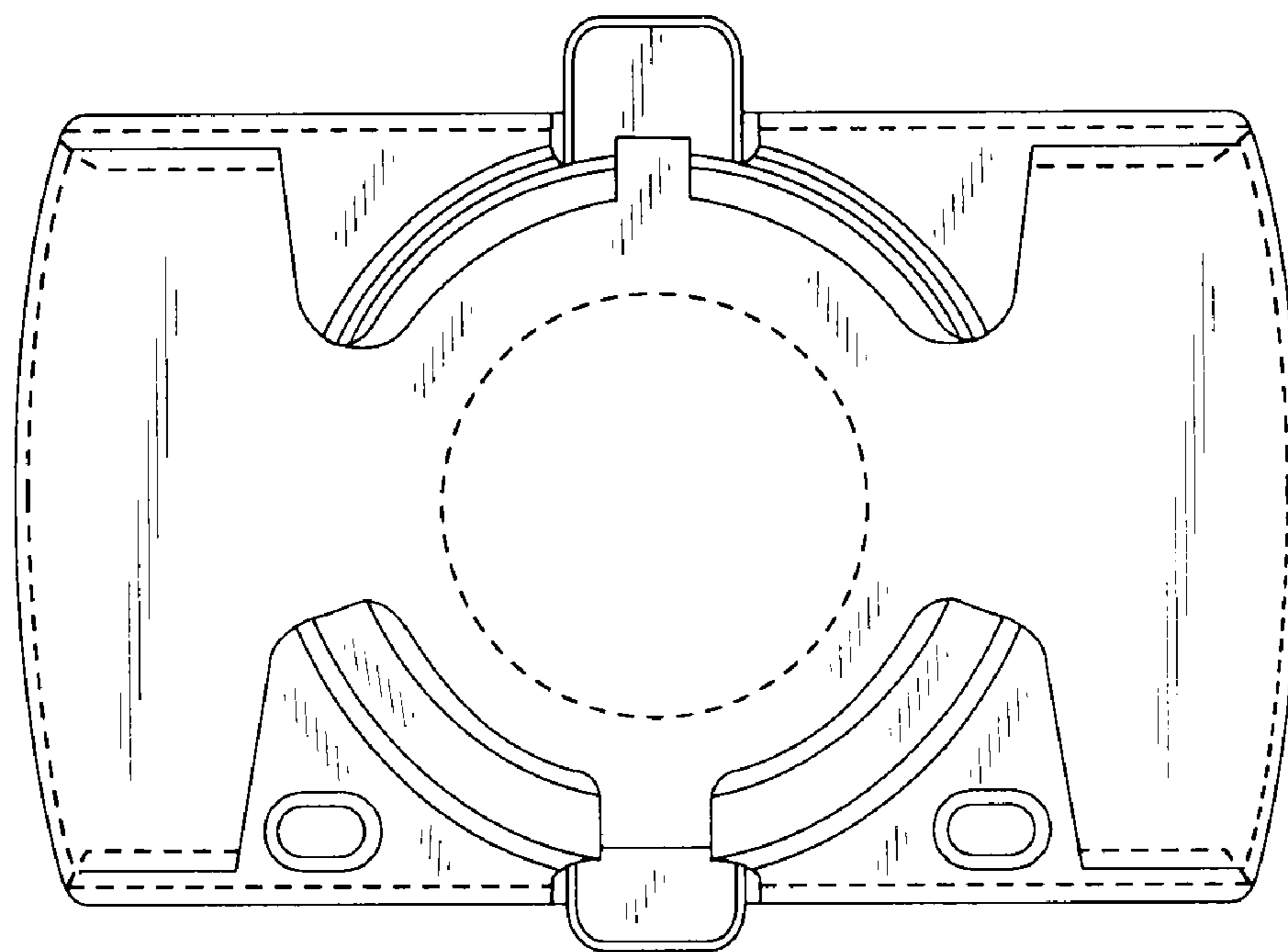


FIG. 2