



US00D640303S

(12) **United States Design Patent**
Tatara et al.

(10) **Patent No.:** **US D640,303 S**

(45) **Date of Patent:** **** Jun. 21, 2011**

(54) **PROJECTOR**

(75) Inventors: **Yoshihiro Tatara**, Matsumoto (JP);
Tetsu Nakayama, Matsumoto (JP); **Sei Nakanishi**, Matsumoto (JP)

(73) Assignee: **Seiko Epson Corporation**, Tokyo (JP)

(**) Term: **14 Years**

(21) Appl. No.: **29/367,399**

(22) Filed: **Aug. 6, 2010**

(30) **Foreign Application Priority Data**

May 28, 2010 (JP) 2010-013161

(51) **LOC (9) Cl.** **16-02**

(52) **U.S. Cl.** **D16/230; D16/225**

(58) **Field of Classification Search** D16/205,
D16/208, 221, 225, 230-231, 234; D21/514;
353/115, 119, 122

See application file for complete search history.

(56) **References Cited**

U.S. PATENT DOCUMENTS

D398,321 S *	9/1998	Iida	D16/230
D442,983 S *	5/2001	Goto et al.	D16/230
D547,352 S *	7/2007	Tako	D16/230
7,258,468 B2 *	8/2007	Peng et al.	353/119
D552,657 S *	10/2007	Oota	D16/230
D588,619 S *	3/2009	Kawabe et al.	D16/230

D588,620 S *	3/2009	Kawabe et al.	D16/230
D596,656 S *	7/2009	Nakanishi	D16/230
2008/0055563 A1 *	3/2008	Momose et al.	353/61

* cited by examiner

Primary Examiner — Ian Simmons

Assistant Examiner — Wan Laymon

(74) *Attorney, Agent, or Firm* — Oliff & Berridge, PLC

(57) **CLAIM**

The ornamental design for a projector, as shown and described.

DESCRIPTION

FIG. 1 is a front perspective view of a projector with a cover in a closed position;

FIG. 2 is a rear perspective view thereof;

FIG. 3 is a front view thereof;

FIG. 4 is a rear view thereof;

FIG. 5 is a left-side view thereof;

FIG. 6 is a right-side view thereof;

FIG. 7 is a top view thereof;

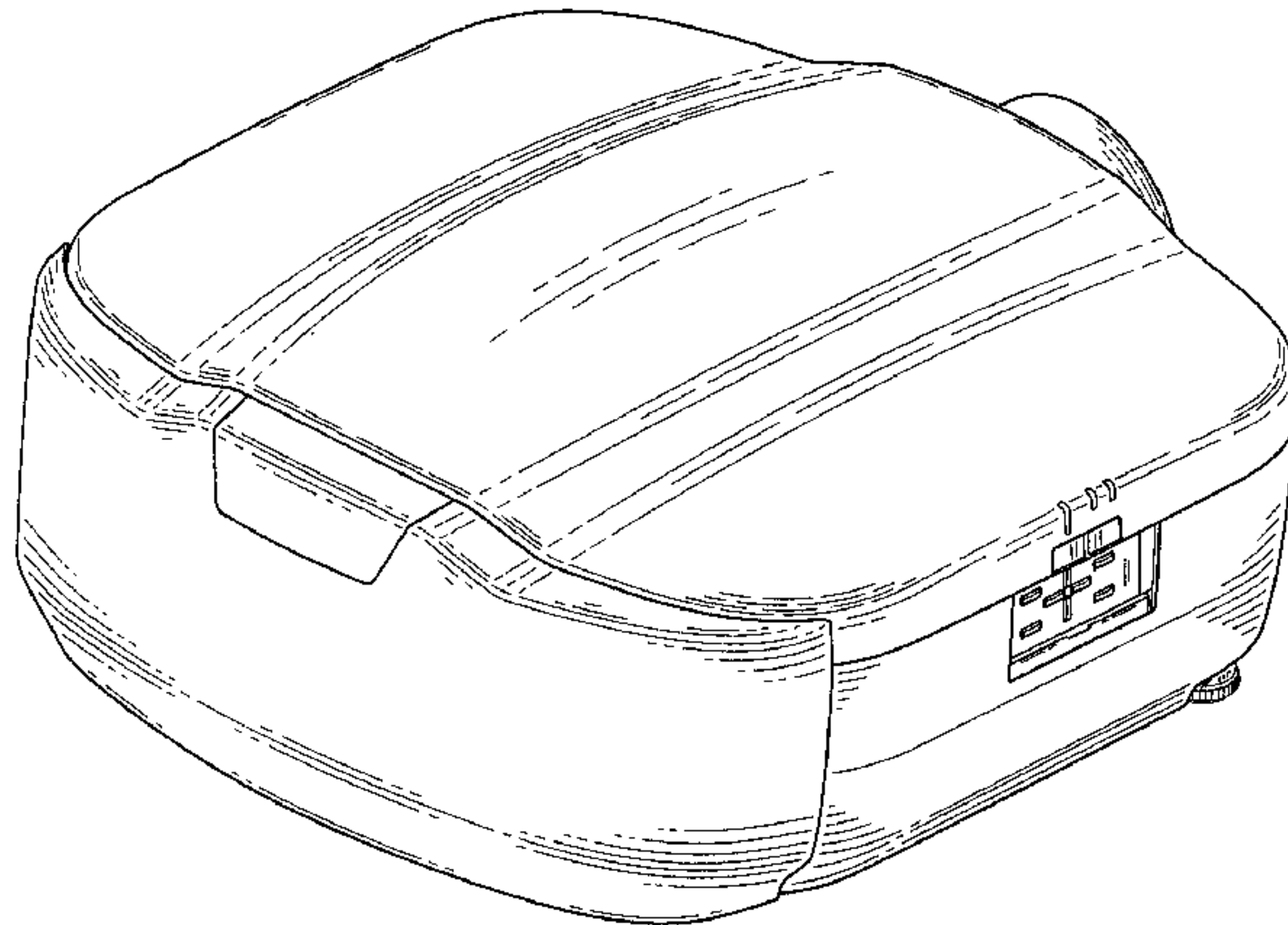
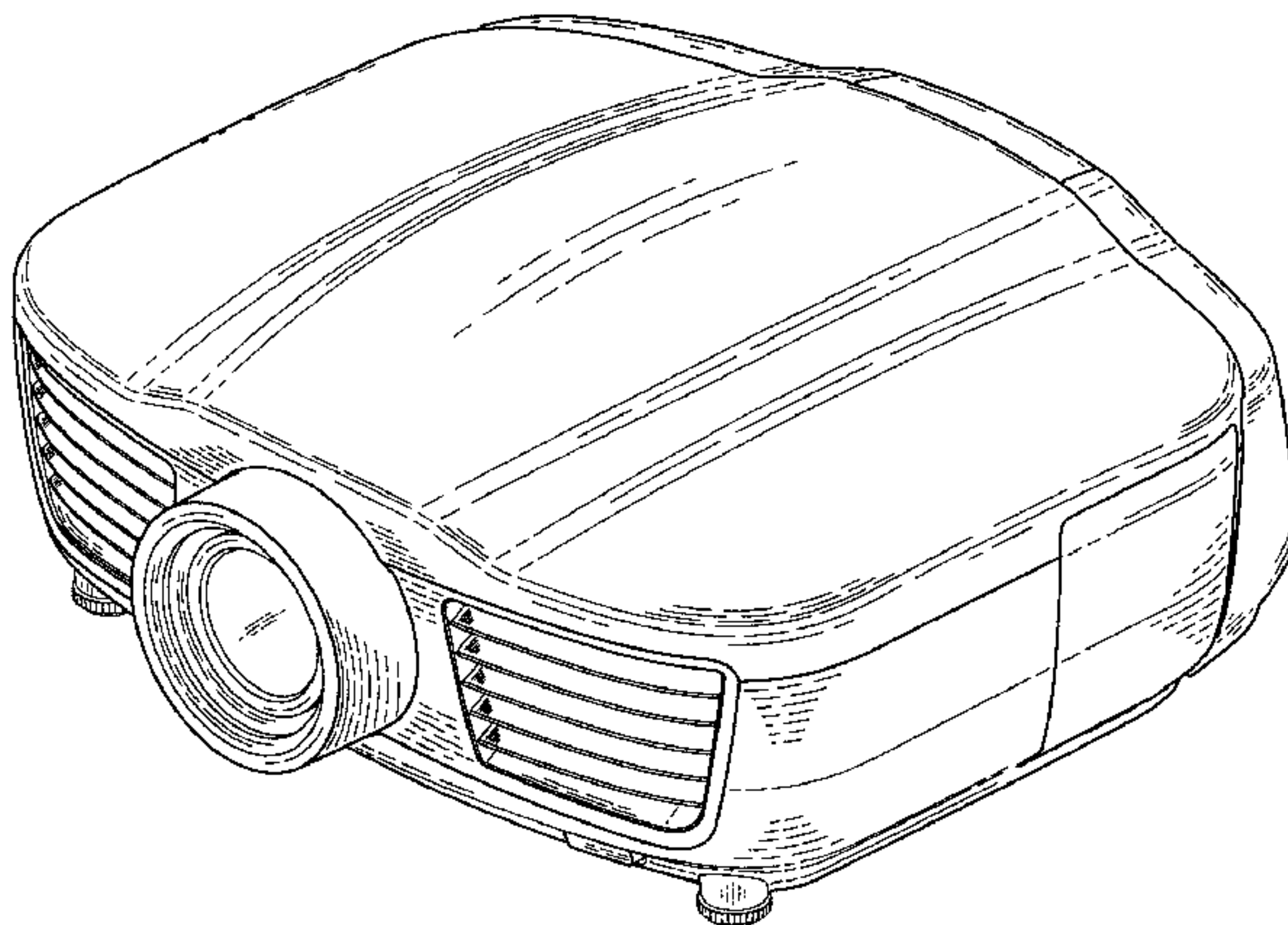
FIG. 8 is a bottom view thereof;

FIG. 9 is a rear perspective view thereof, with the cover in an open position; and,

FIG. 10 is a left-side view thereof, with the cover in an open position.

The broken lines immediately adjacent to the shaded areas and the claimed areas in FIGS. 4 and 8 represent the boundaries of the design. The broken lines represent the portions of the design that form no part of the claim. None of the broken lines form part of the claimed invention.

1 Claim, 7 Drawing Sheets



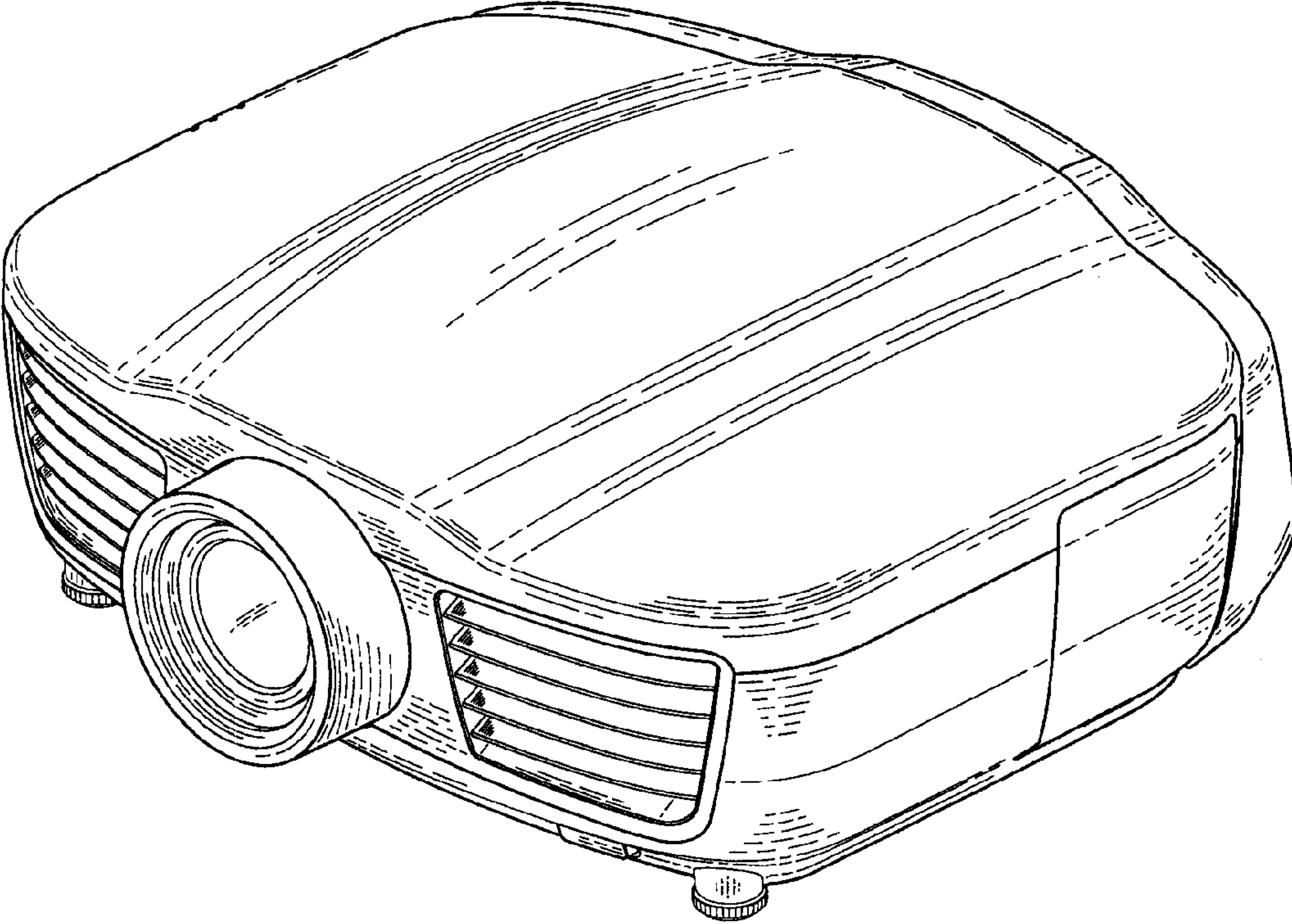


FIG. 1

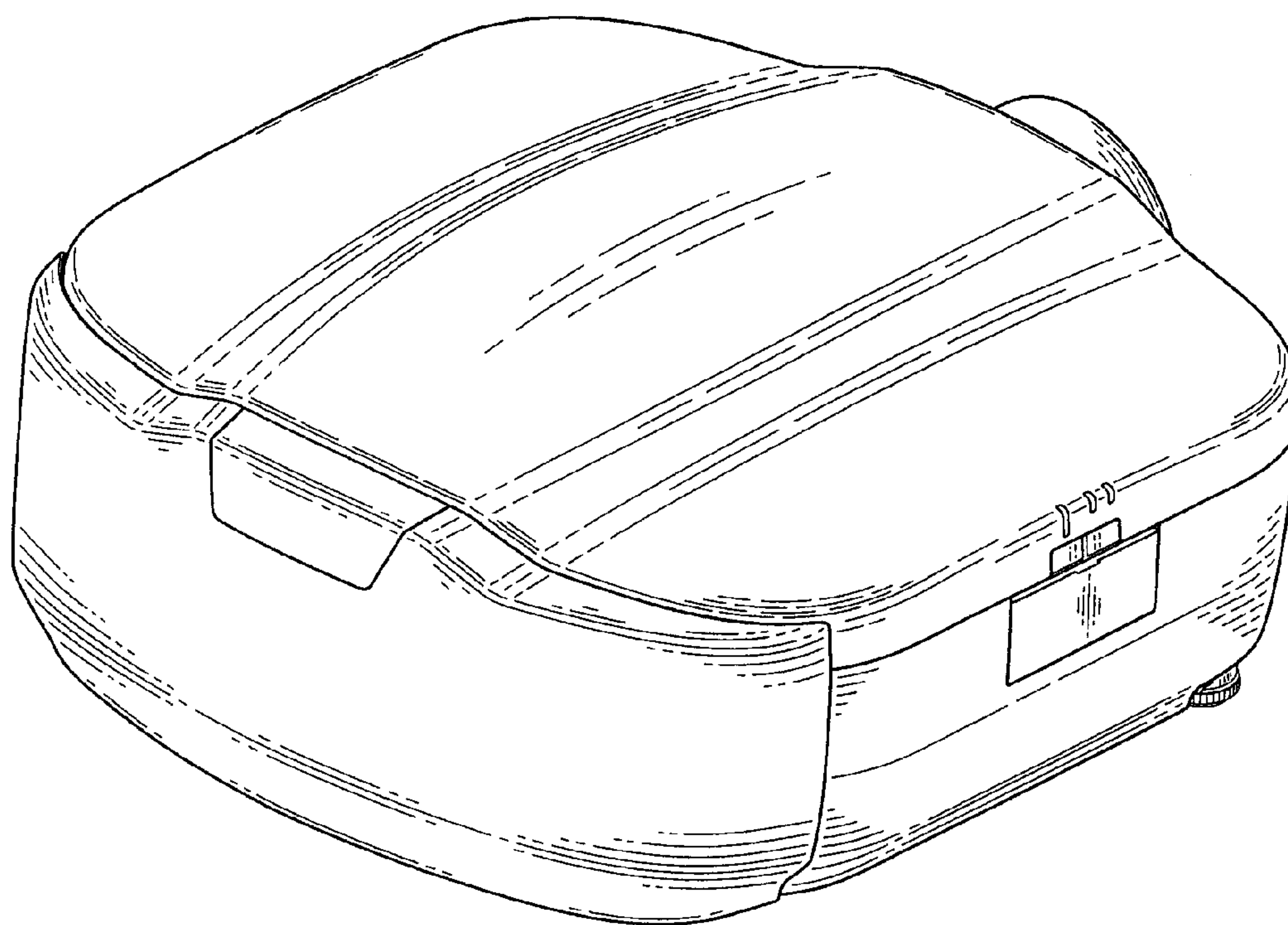


FIG. 2

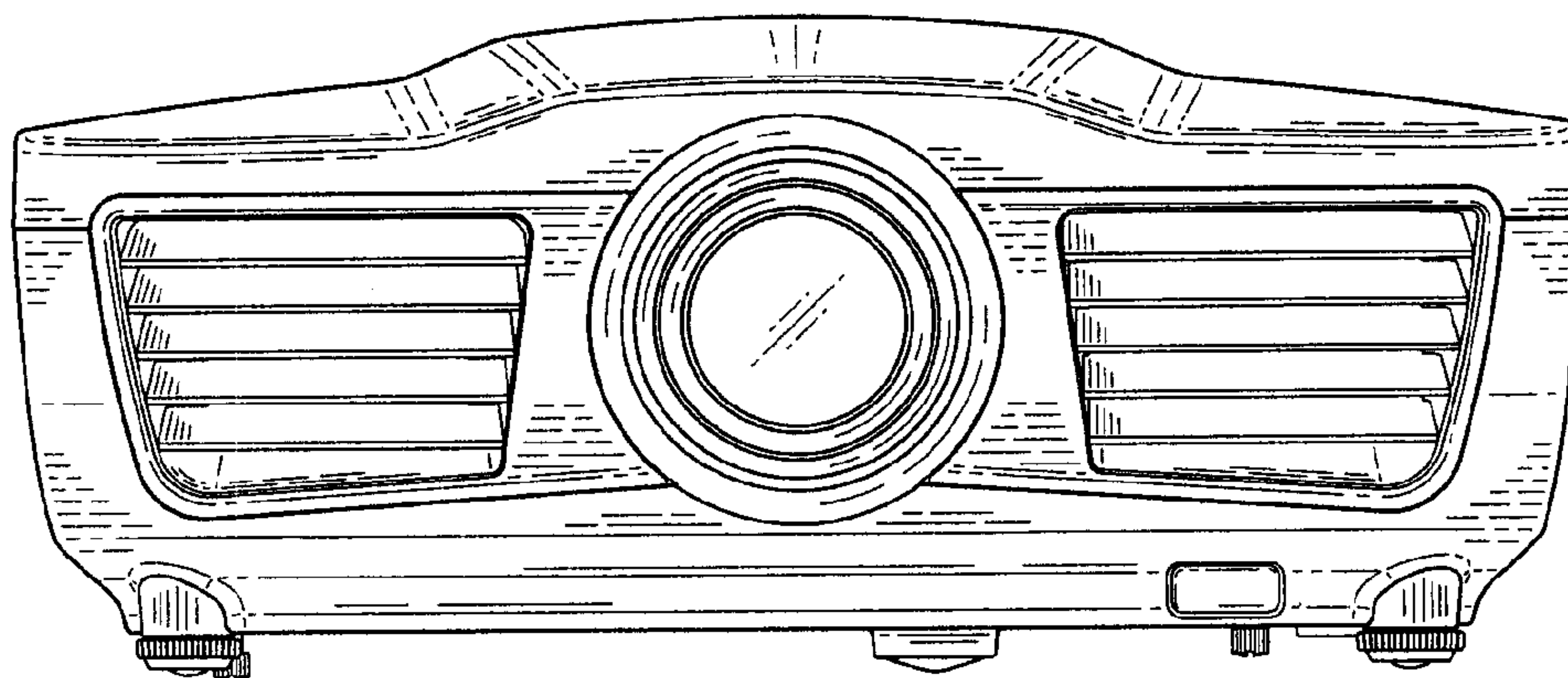


FIG. 3

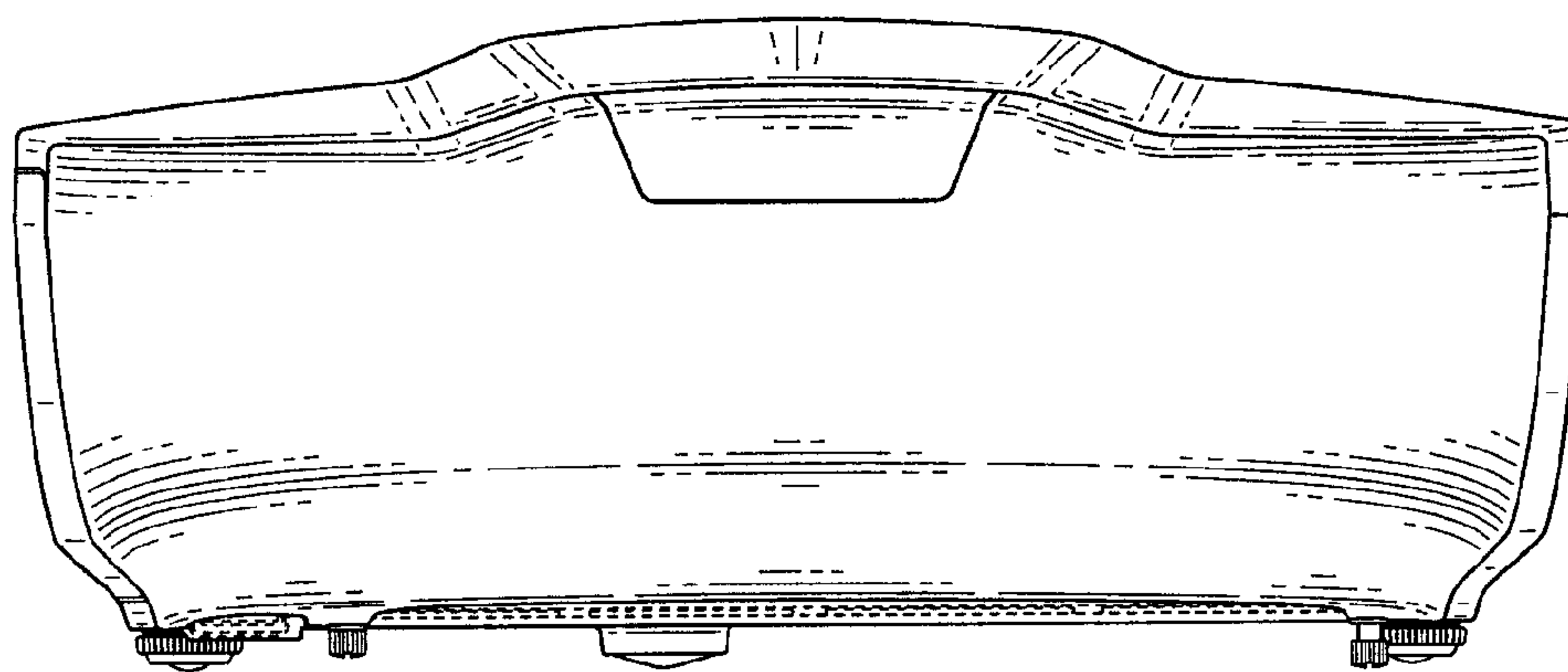


FIG. 4

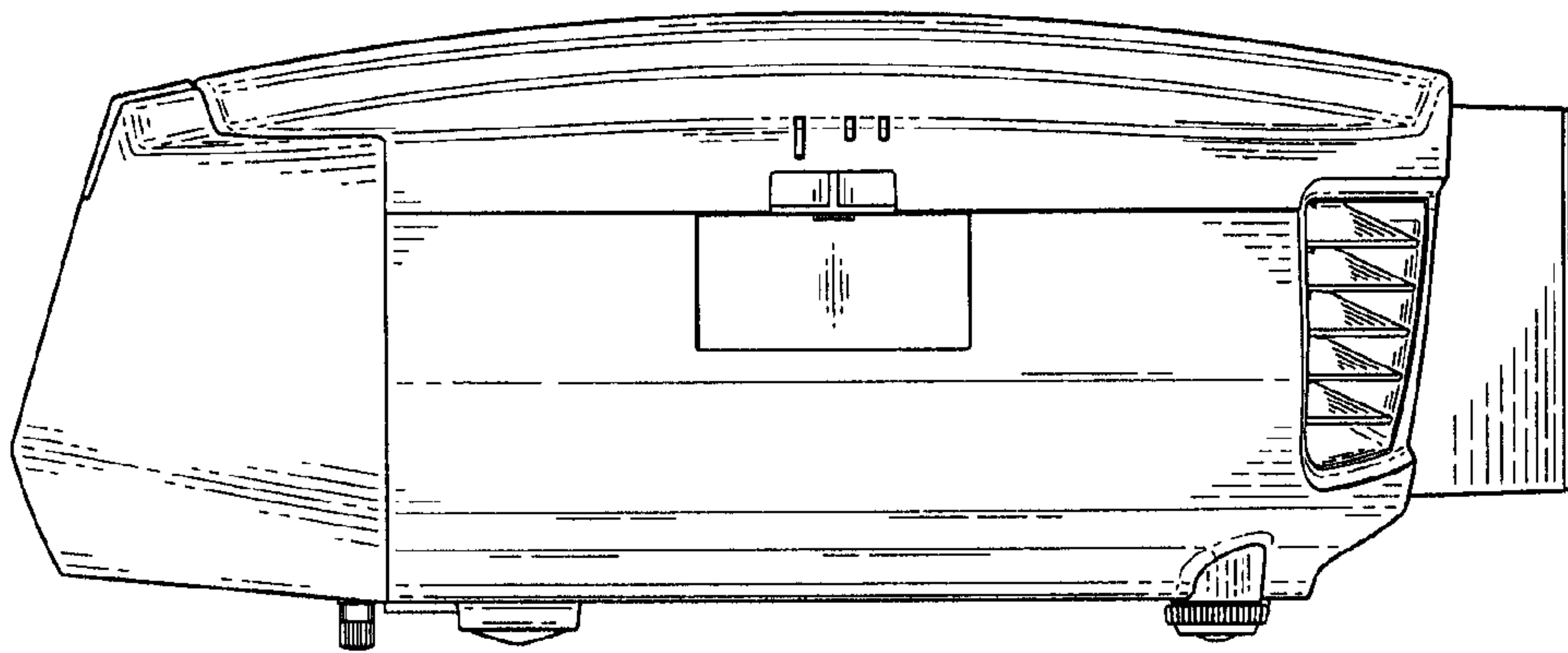


FIG. 5

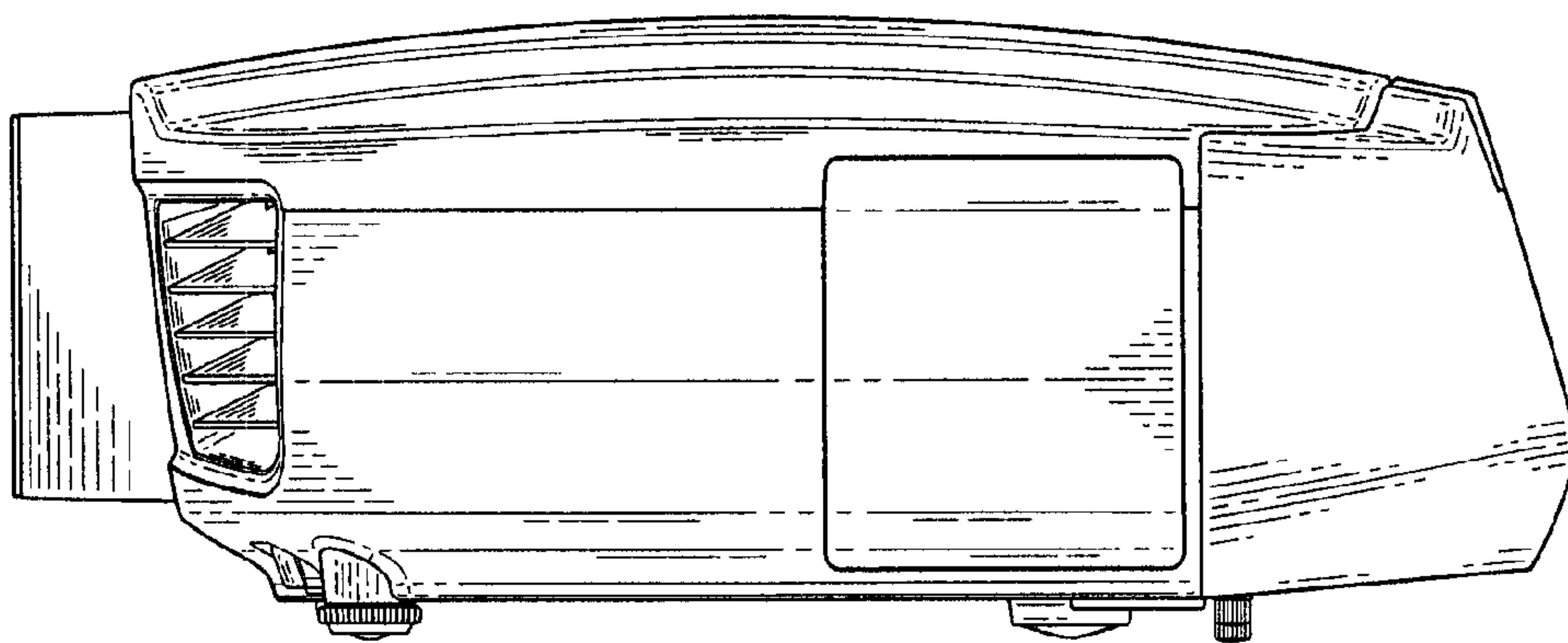


FIG. 6

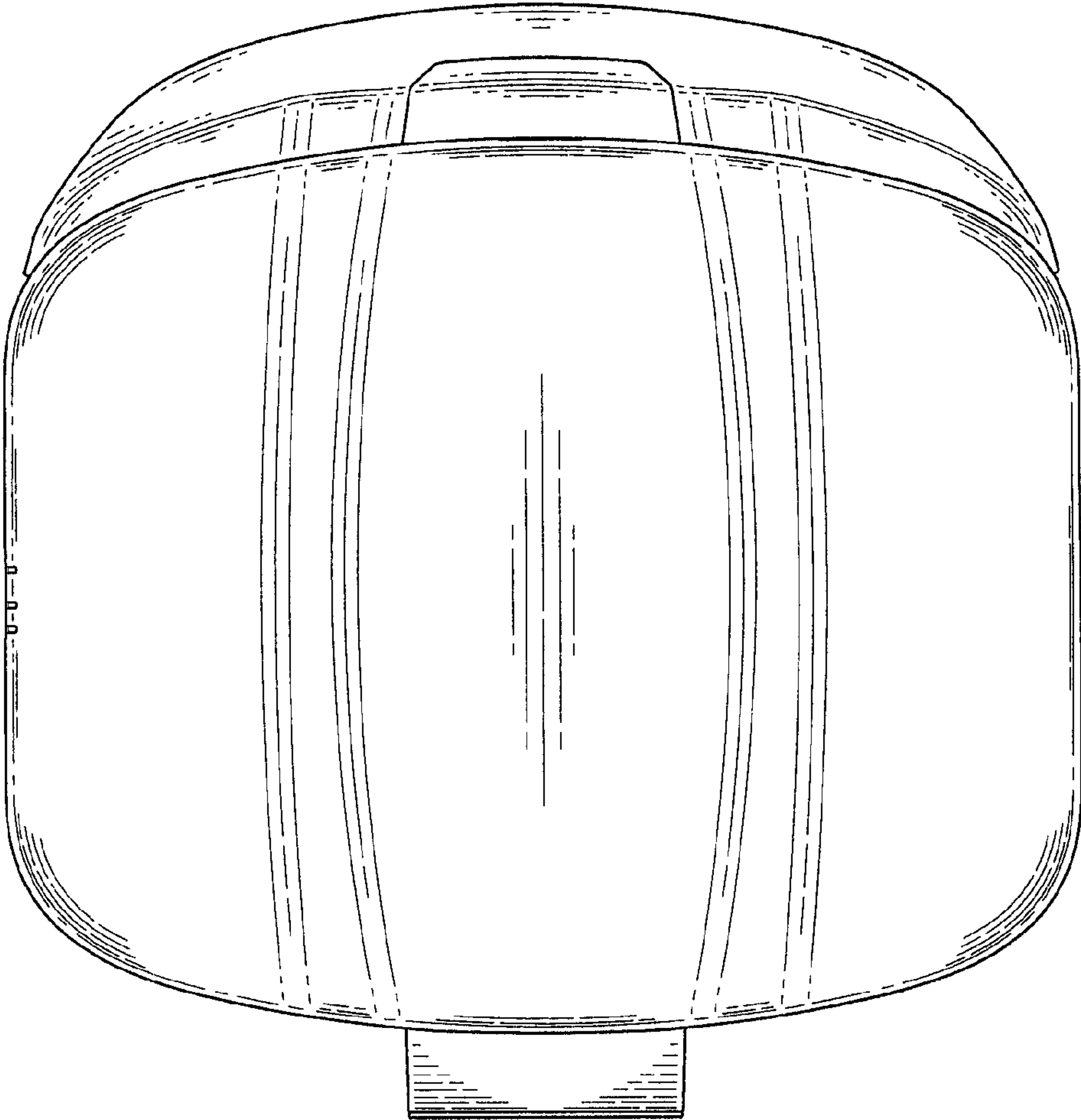


FIG. 7

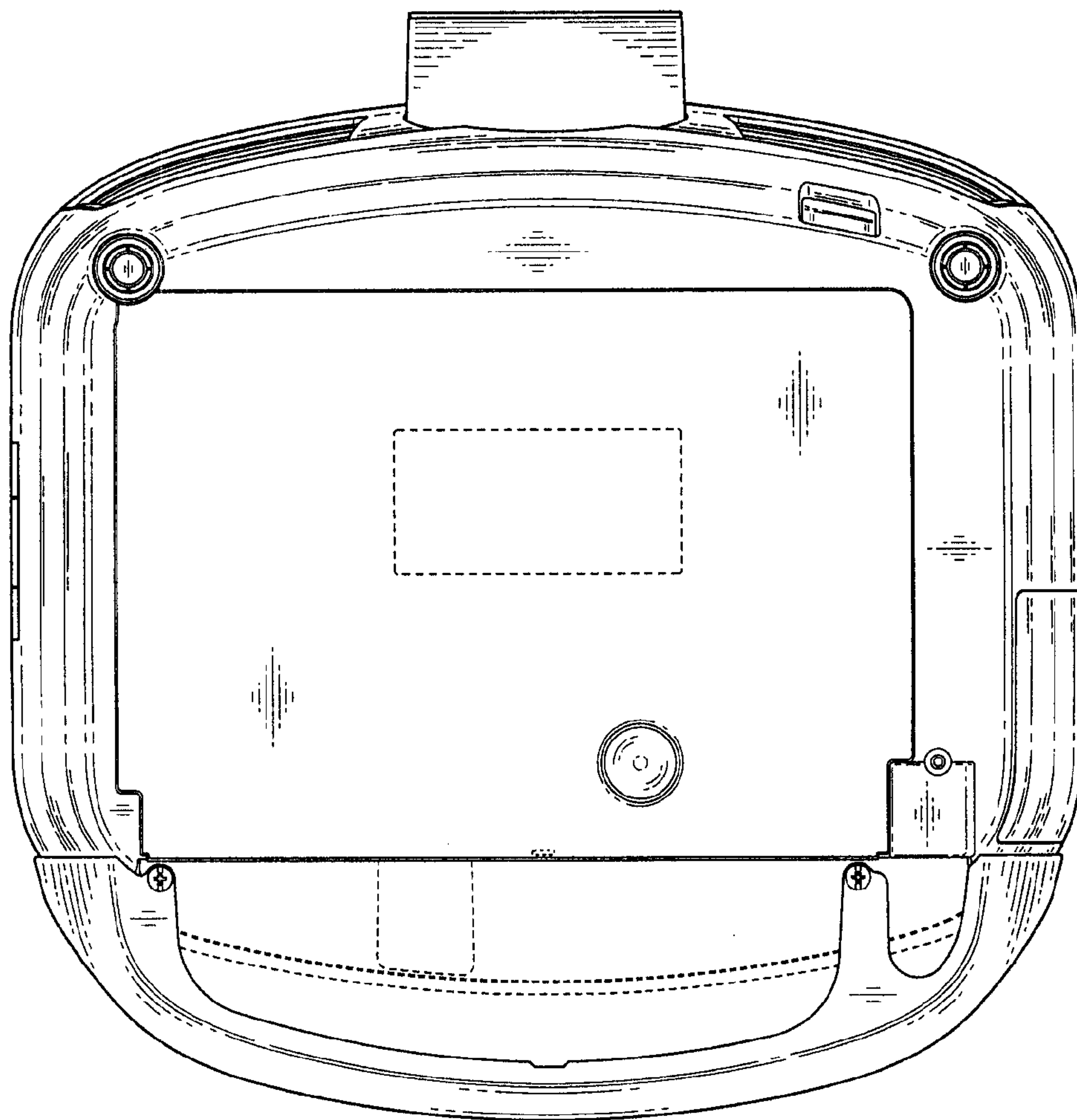


FIG. 8

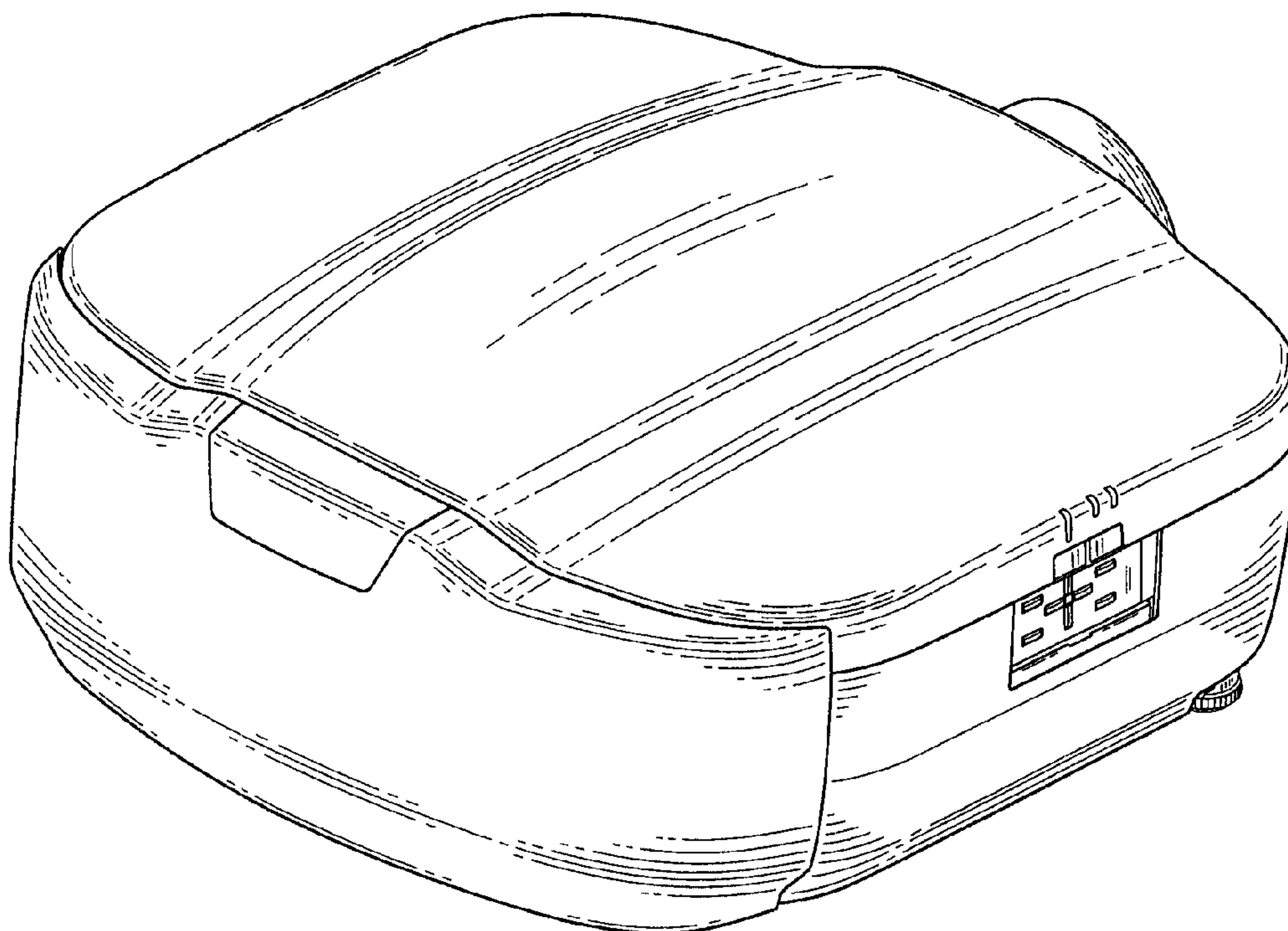


FIG. 9

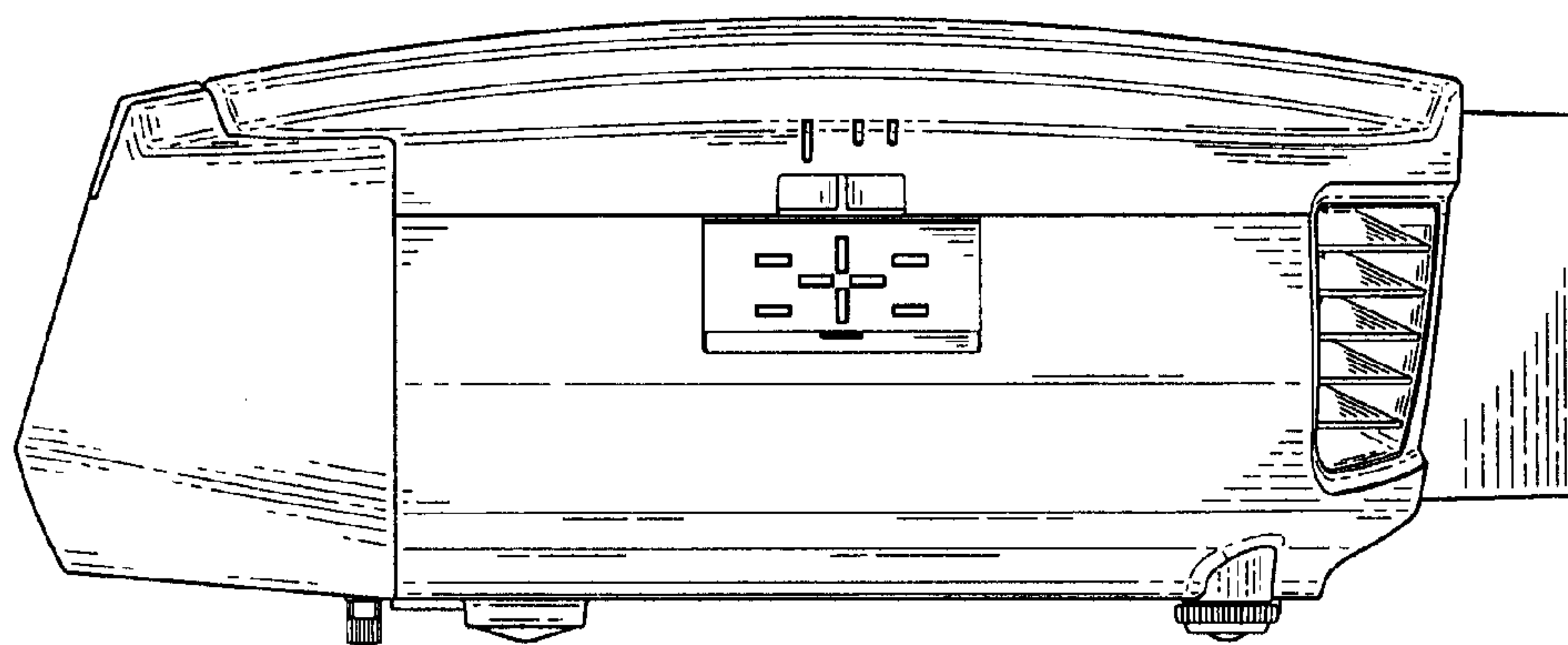


FIG. 10