



US00D640301S

(12) **United States Design Patent**
Nohara

(10) **Patent No.:** **US D640,301 S**

(45) **Date of Patent:** **** Jun. 21, 2011**

(54) **DIGITAL CAMERA**

(75) Inventor: **Takeshi Nohara**, Hachioji (JP)

(73) Assignee: **Olympus Imaging Corp.**, Tokyo (JP)

(**) Term: **14 Years**

(21) Appl. No.: **29/375,081**

(22) Filed: **Sep. 17, 2010**

(51) **LOC (9) Cl.** **16-01**

(52) **U.S. Cl.** **D16/202; D16/218**

(58) **Field of Classification Search** **D16/200,**
D16/202, 204, 218; 348/373-376; 358/909.1;
396/535-541

See application file for complete search history.

(56) **References Cited**

U.S. PATENT DOCUMENTS

D388,810 S *	1/1998	Yoshida	D16/218
D415,185 S *	10/1999	Matsuda	D16/218
D448,396 S *	9/2001	Miyazawa	D16/202
7,646,426 B2 *	1/2010	Saiki et al.	348/373

7,772,542 B2 *	8/2010	Ishikawa	348/374
D631,496 S *	1/2011	Tainaka	D16/202
2010/0013986 A1 *	1/2010	Yamamoto	348/375

FOREIGN PATENT DOCUMENTS

JP 1355965 4/2009

* cited by examiner

Primary Examiner — Adir Aronovich

(74) *Attorney, Agent, or Firm* — Holtz, Holtz, Goodman & Chick, PC

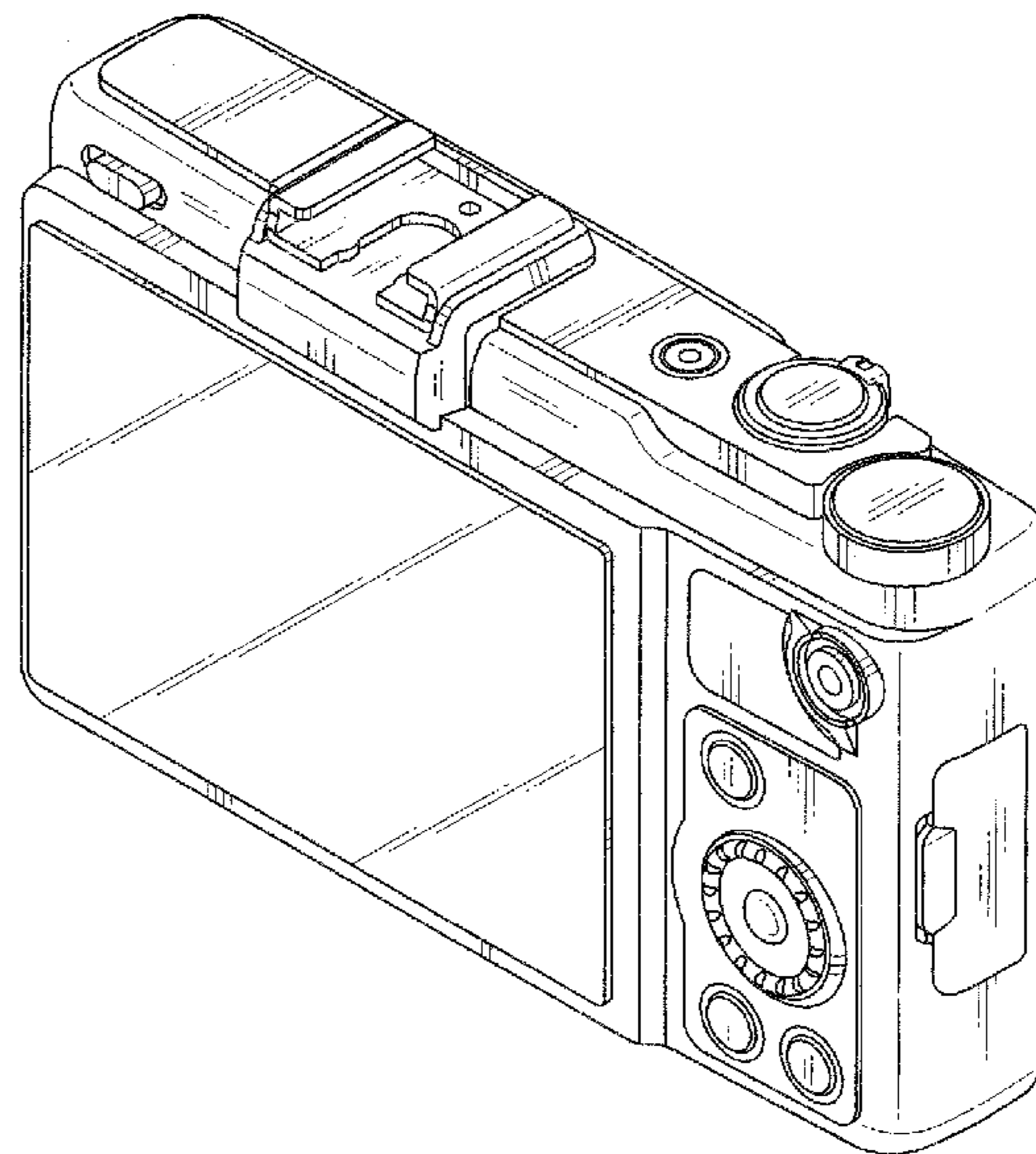
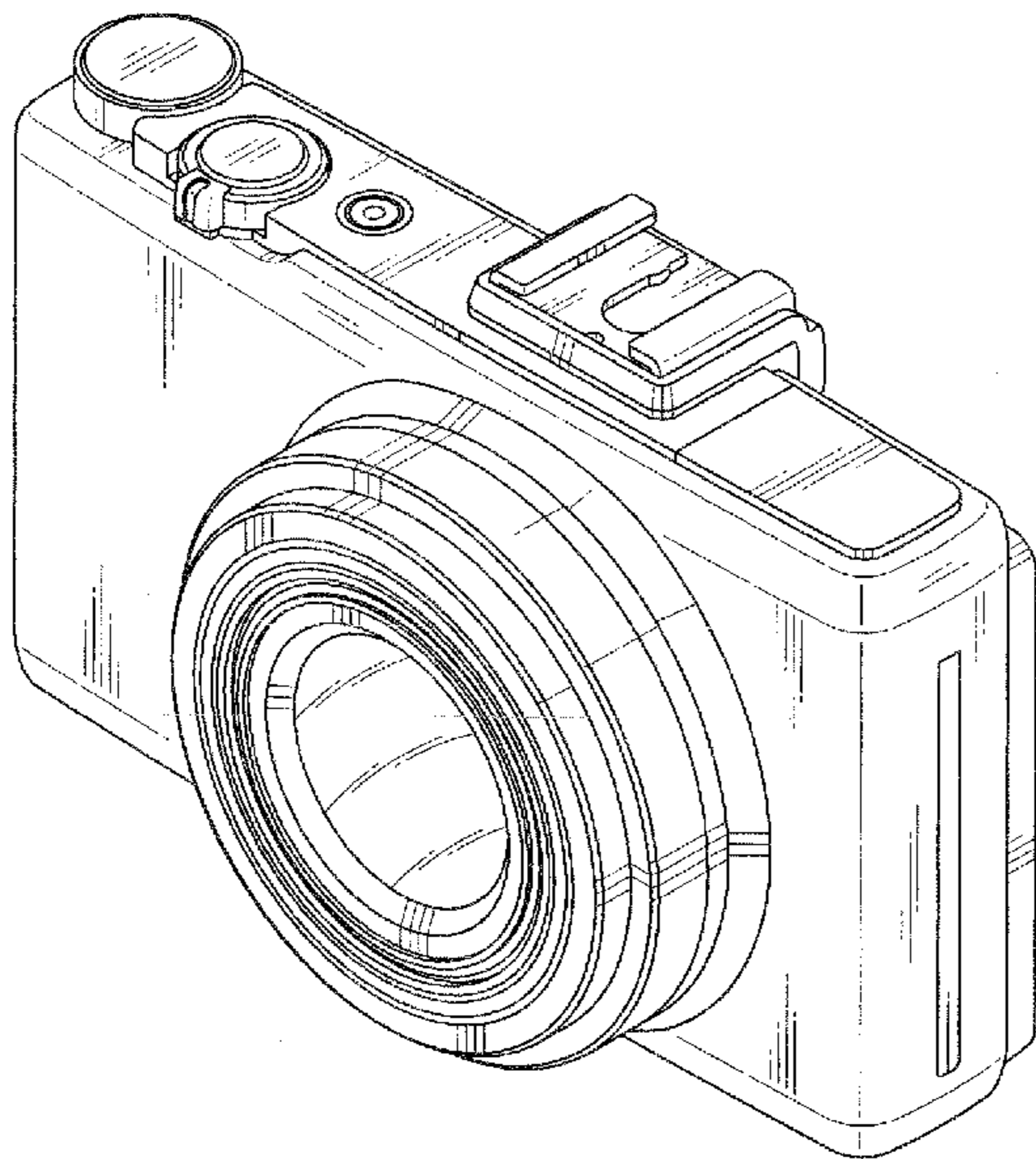
(57) **CLAIM**

The ornamental design for a digital camera, as shown.

DESCRIPTION

FIG. 1 is a front, top and right side perspective view of a digital camera, showing my new design;
 FIG. 2 is a rear, top and left side perspective view thereof;
 FIG. 3 is a front elevational view thereof;
 FIG. 4 is a rear elevational view thereof;
 FIG. 5 is a top plan view thereof;
 FIG. 6 is a bottom plan view thereof;
 FIG. 7 is a left side elevational view thereof; and,
 FIG. 8 is a right side elevational view thereof.

1 Claim, 4 Drawing Sheets



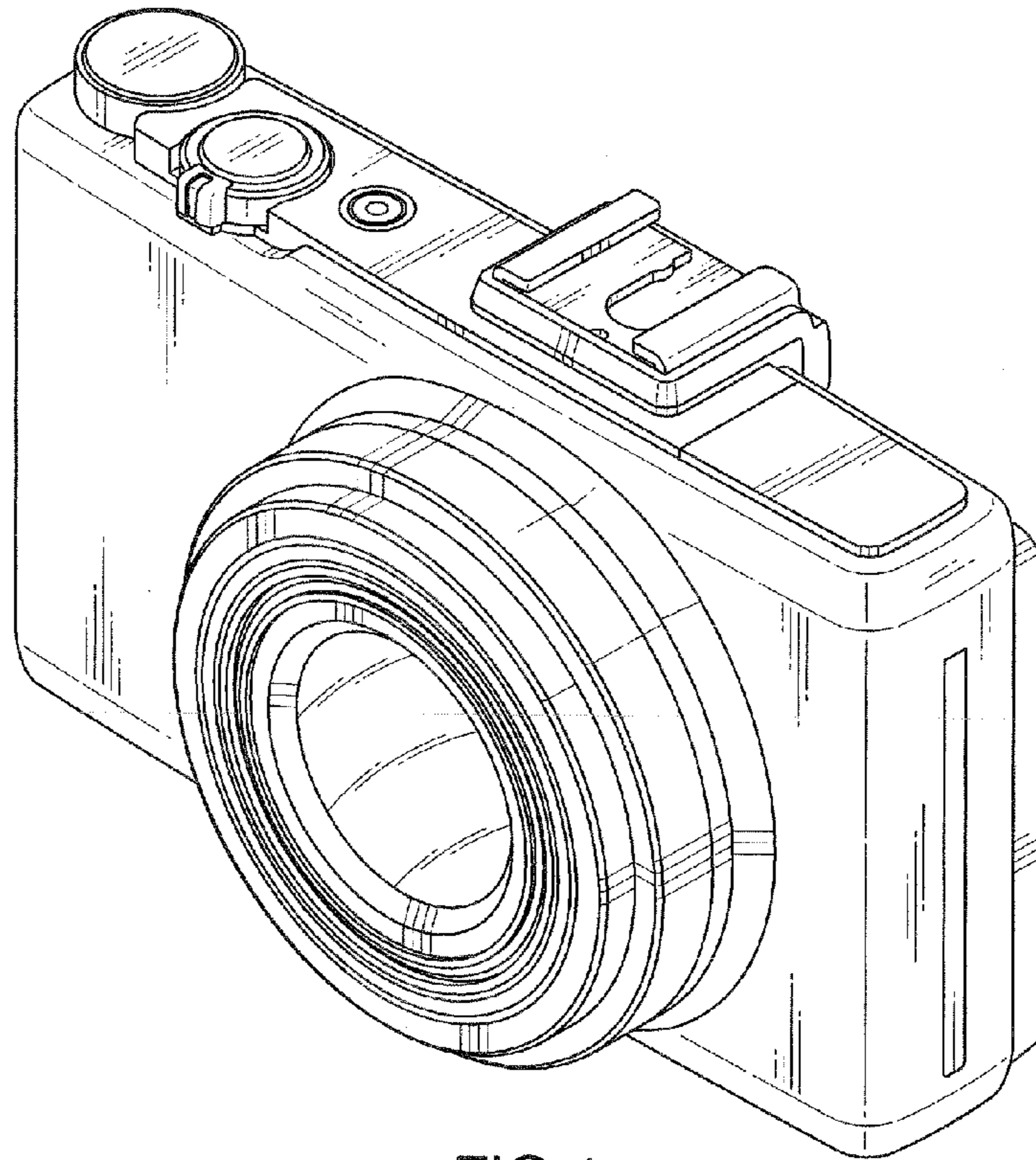


FIG. 1

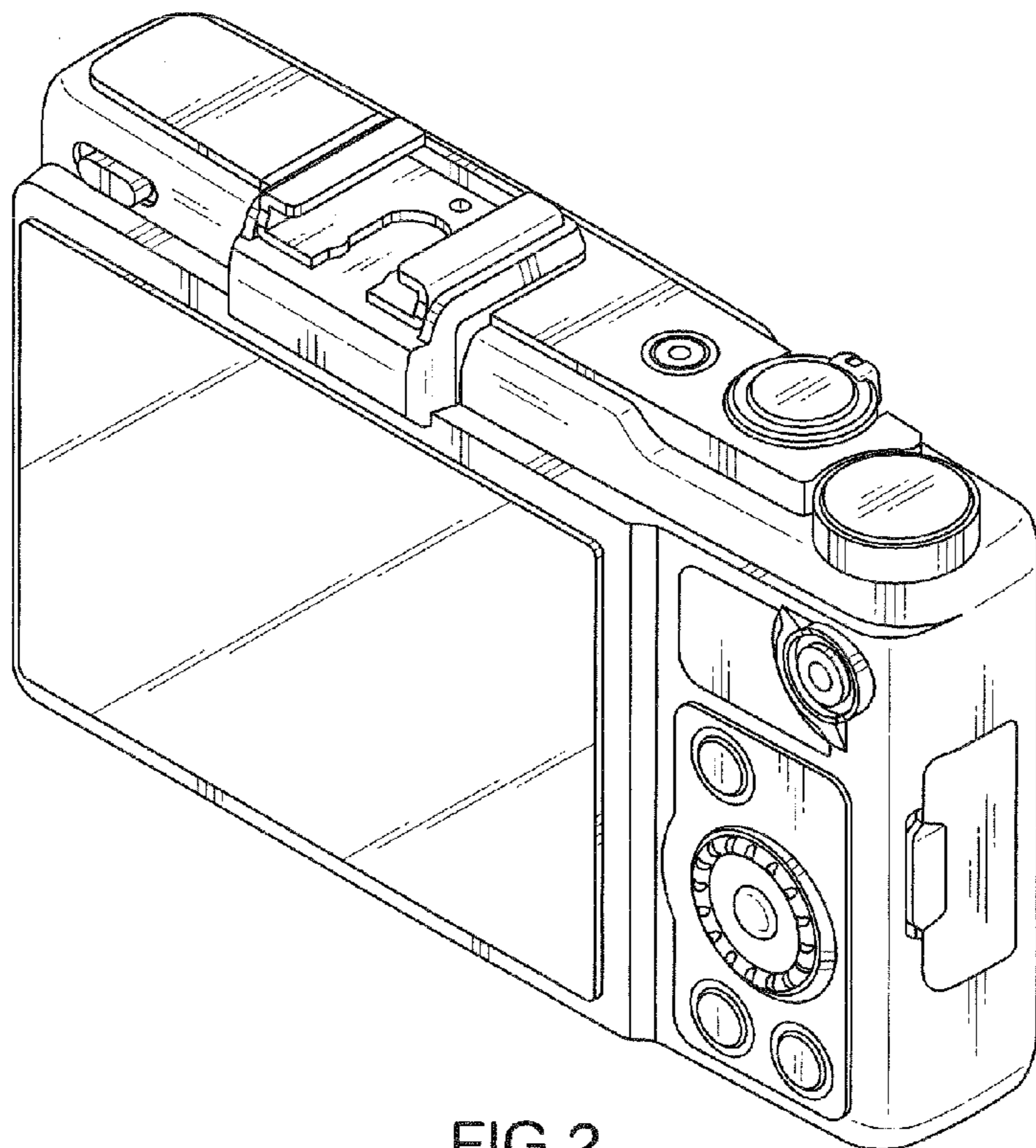


FIG. 2

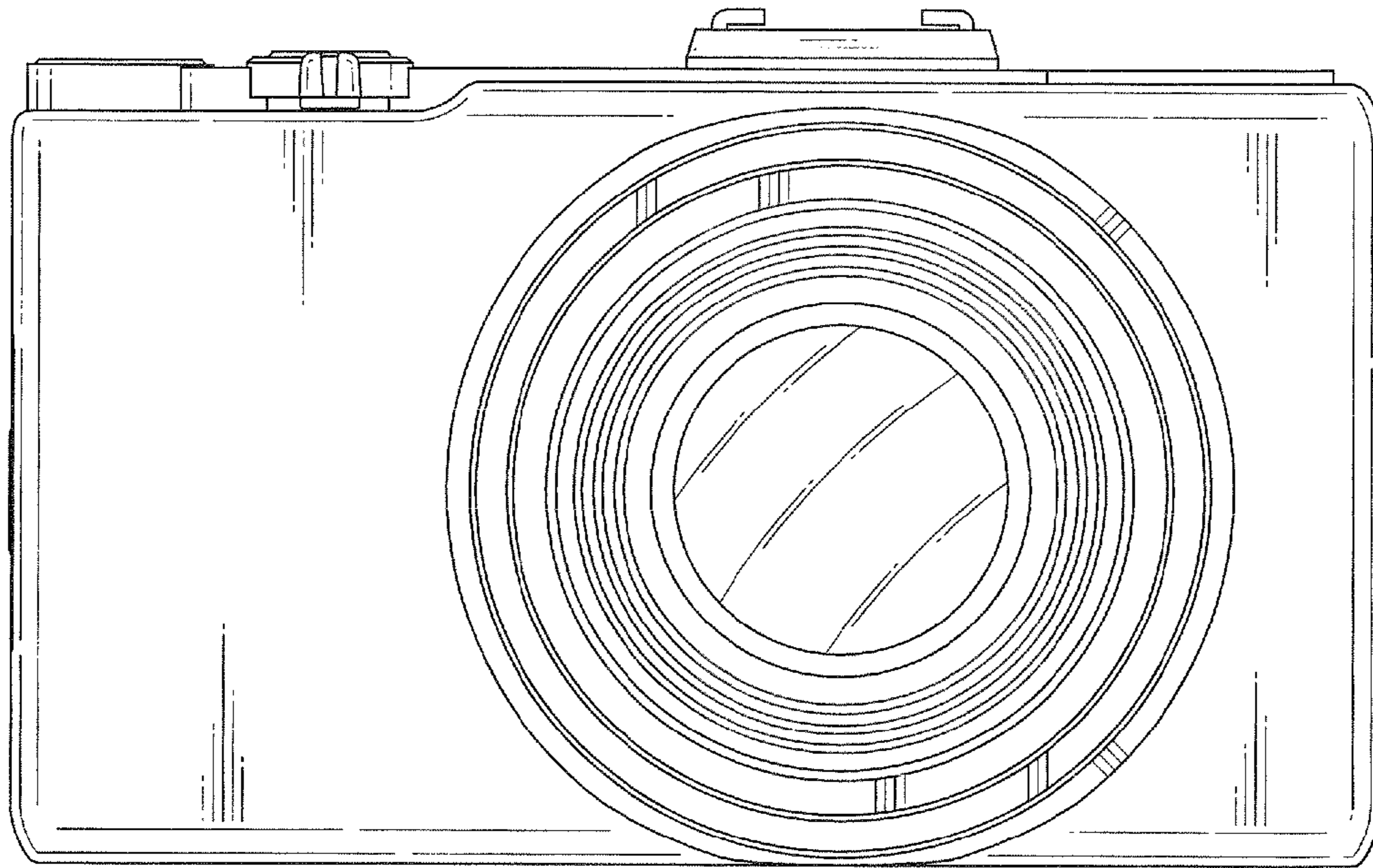


FIG.3

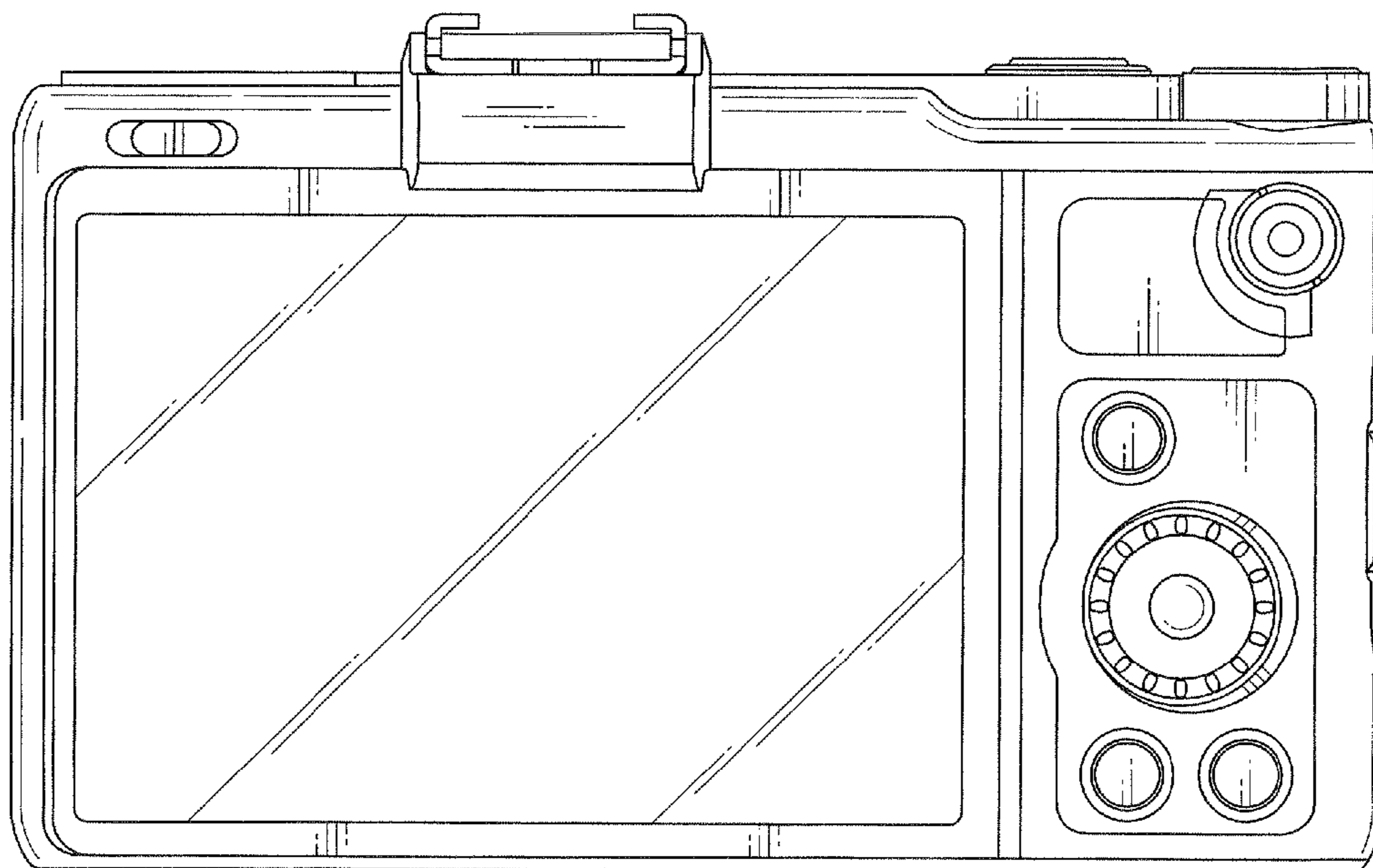


FIG.4

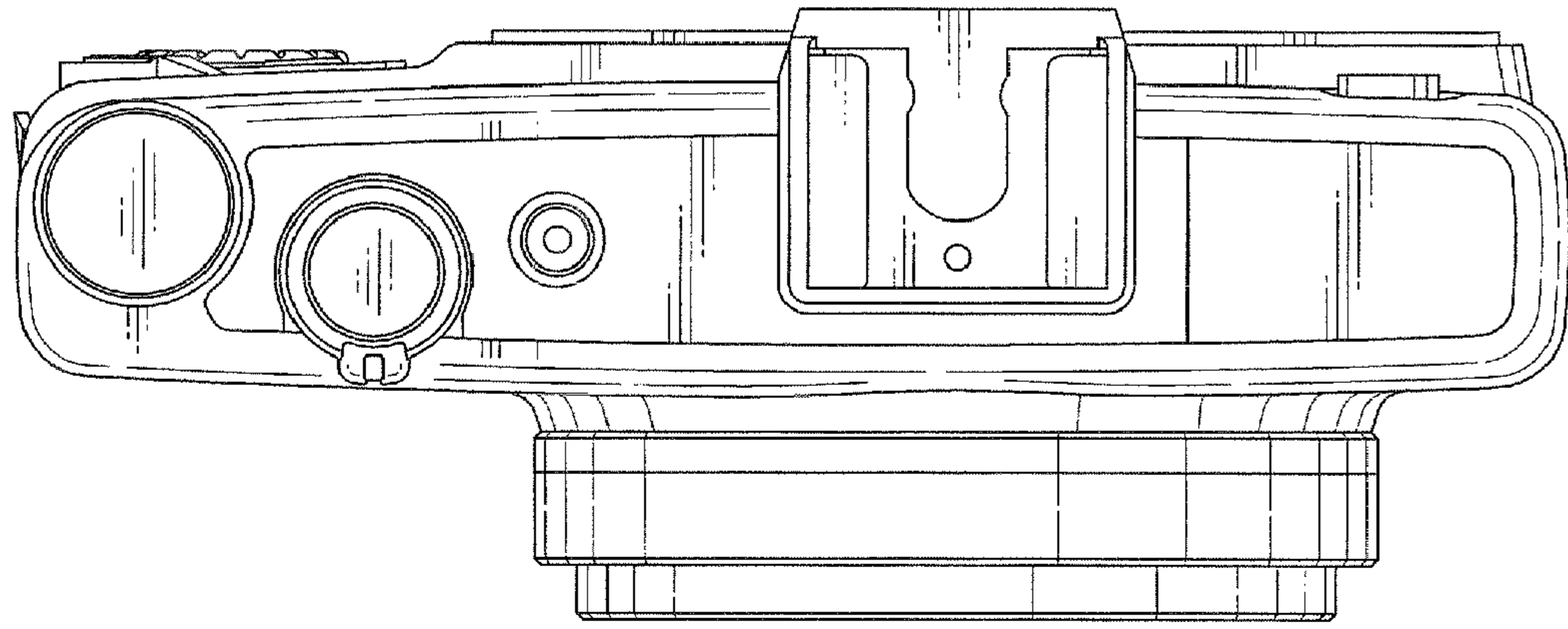


FIG.5

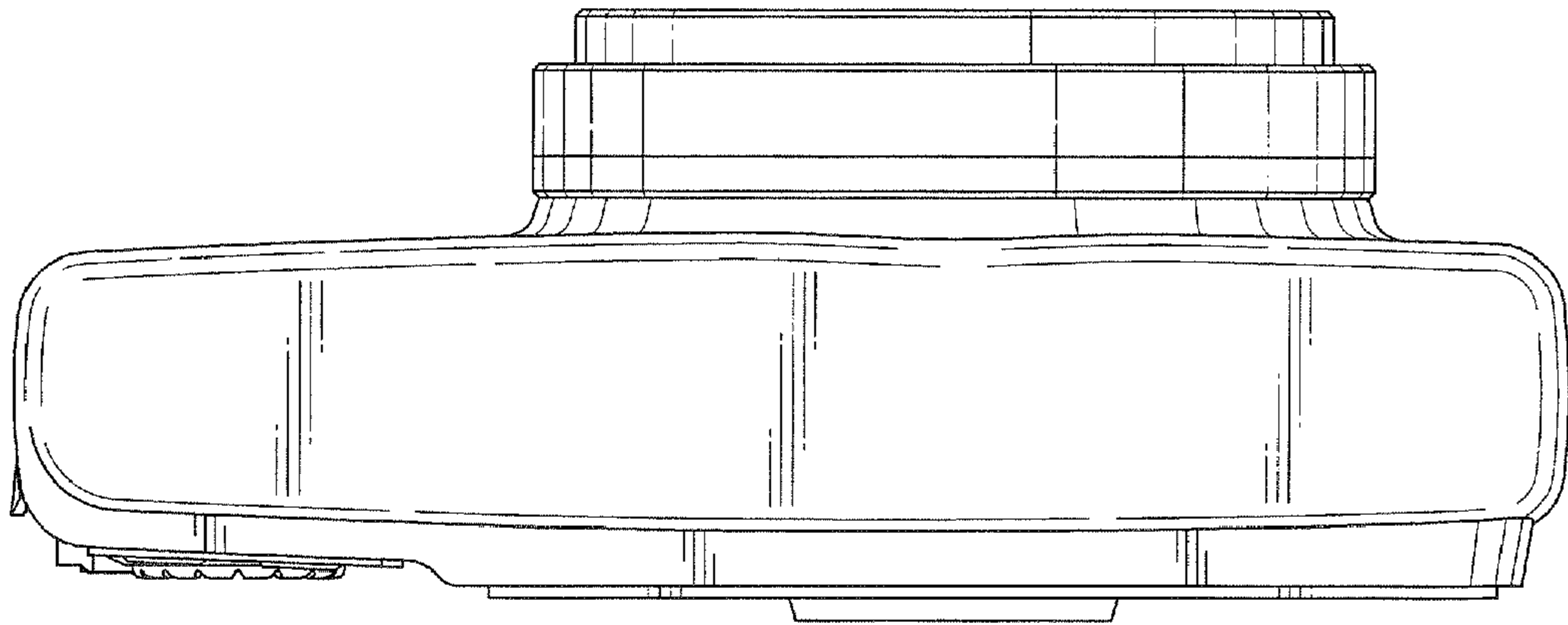


FIG.6

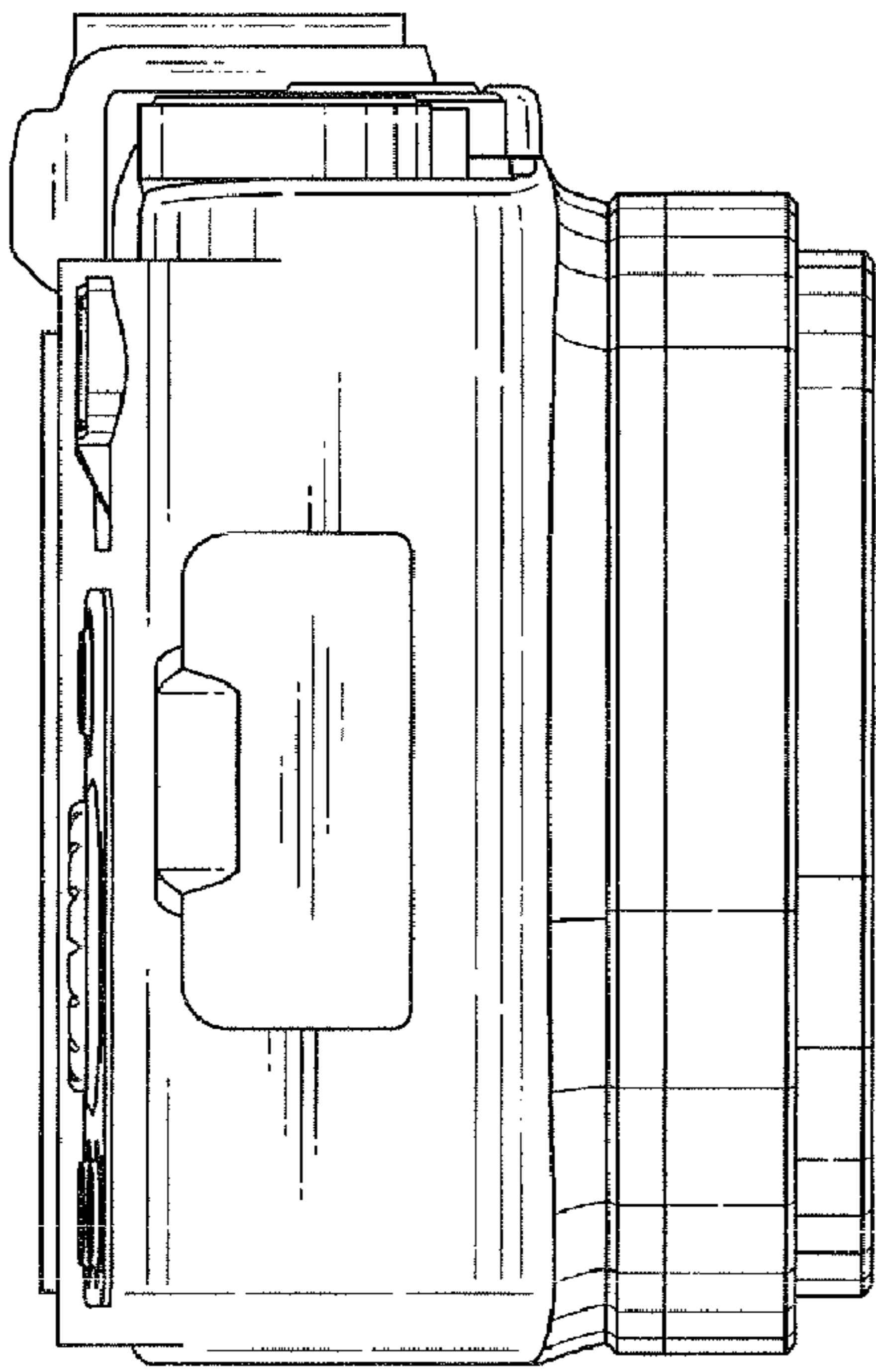


FIG. 7

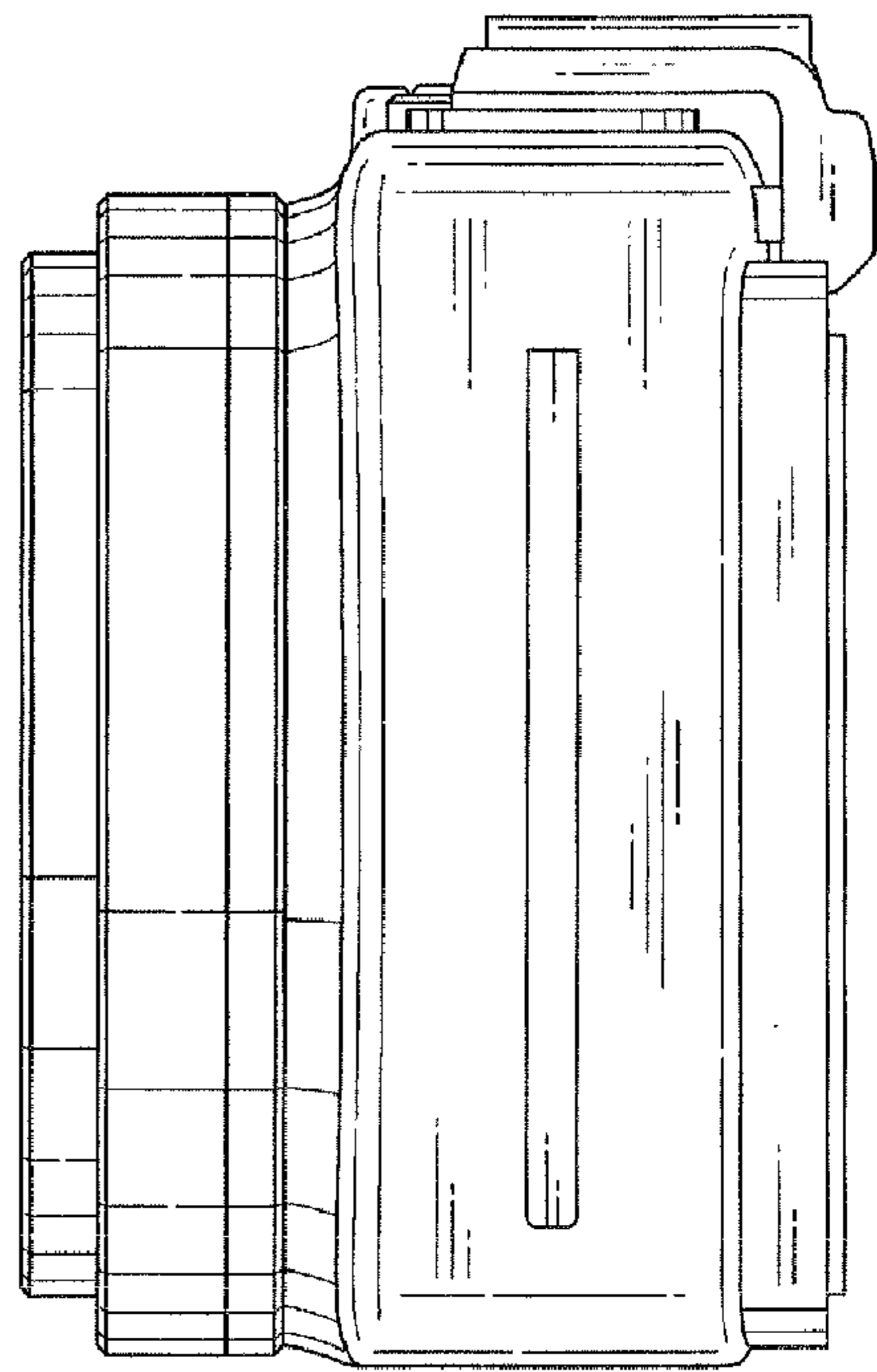


FIG. 8