



US00D640300S

(12) **United States Design Patent**
Sato et al.

(10) **Patent No.:** **US D640,300 S**
(45) **Date of Patent:** **** Jun. 21, 2011**

(54) **ELECTRONIC CAMERA**

(75) Inventors: **Jun Sato**, Tokyo (JP); **Masazumi Imai**,
Tokyo (JP); **Masayuki Sakai**, Tokyo (JP)

(73) Assignee: **Fujifilm Corporation**, Tokyo (JP)

(**) Term: **14 Years**

(21) Appl. No.: **29/369,928**

(22) Filed: **Sep. 15, 2010**

(30) **Foreign Application Priority Data**

Mar. 16, 2010 (JP) 2010-006389

(51) **LOC (9) Cl.** **16-01**

(52) **U.S. Cl.** **D16/202**

(58) **Field of Classification Search** D16/200–204,
D16/218; 348/373–376; 396/535–541
See application file for complete search history.

(56) **References Cited**

U.S. PATENT DOCUMENTS

D547,343 S * 7/2007 Sato D16/202
D568,359 S * 5/2008 Tajima D16/202
D572,285 S * 7/2008 Kuroda D16/202
D585,084 S * 1/2009 Yamamoto et al. D16/202

D597,116 S * 7/2009 Watanabe D16/202
D597,578 S * 8/2009 Kim et al. D16/202
D601,603 S * 10/2009 Jang et al. D16/202
7,646,426 B2 * 1/2010 Saiki et al. 348/373
D611,517 S * 3/2010 Yamauchi D16/202

* cited by examiner

Primary Examiner — Adir Aronovich

(74) *Attorney, Agent, or Firm* — Young & Thompson

(57) **CLAIM**

The ornamental design for an electronic camera, as shown and described.

DESCRIPTION

FIG. 1 is a top, front and left side perspective view of an electronic camera showing our new design;
FIG. 2 is a top, rear and left side perspective view thereof;
FIG. 3 is a front elevational view thereof;
FIG. 4 is a rear elevational view thereof;
FIG. 5 is a top plan view thereof;
FIG. 6 is a bottom plan view thereof;
FIG. 7 is a left side elevational view thereof;
FIG. 8 is a right side elevational view thereof;
FIG. 9 is a top, front and left side perspective view thereof, with a lens cover in a closed position; and,
FIG. 10 is a top, rear and left side perspective view of the electronic camera, illustrating indicia thereon.

1 Claim, 10 Drawing Sheets

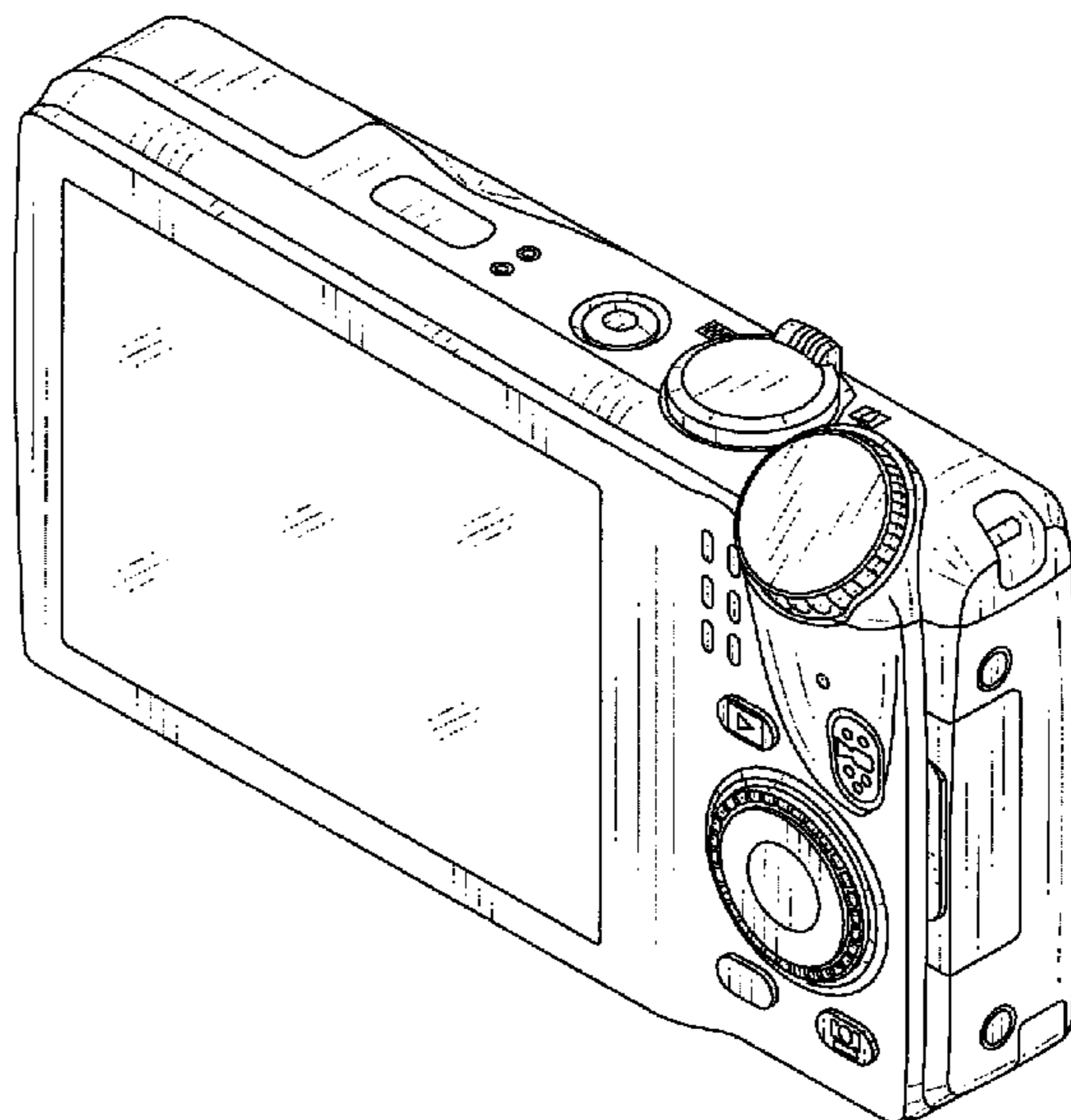
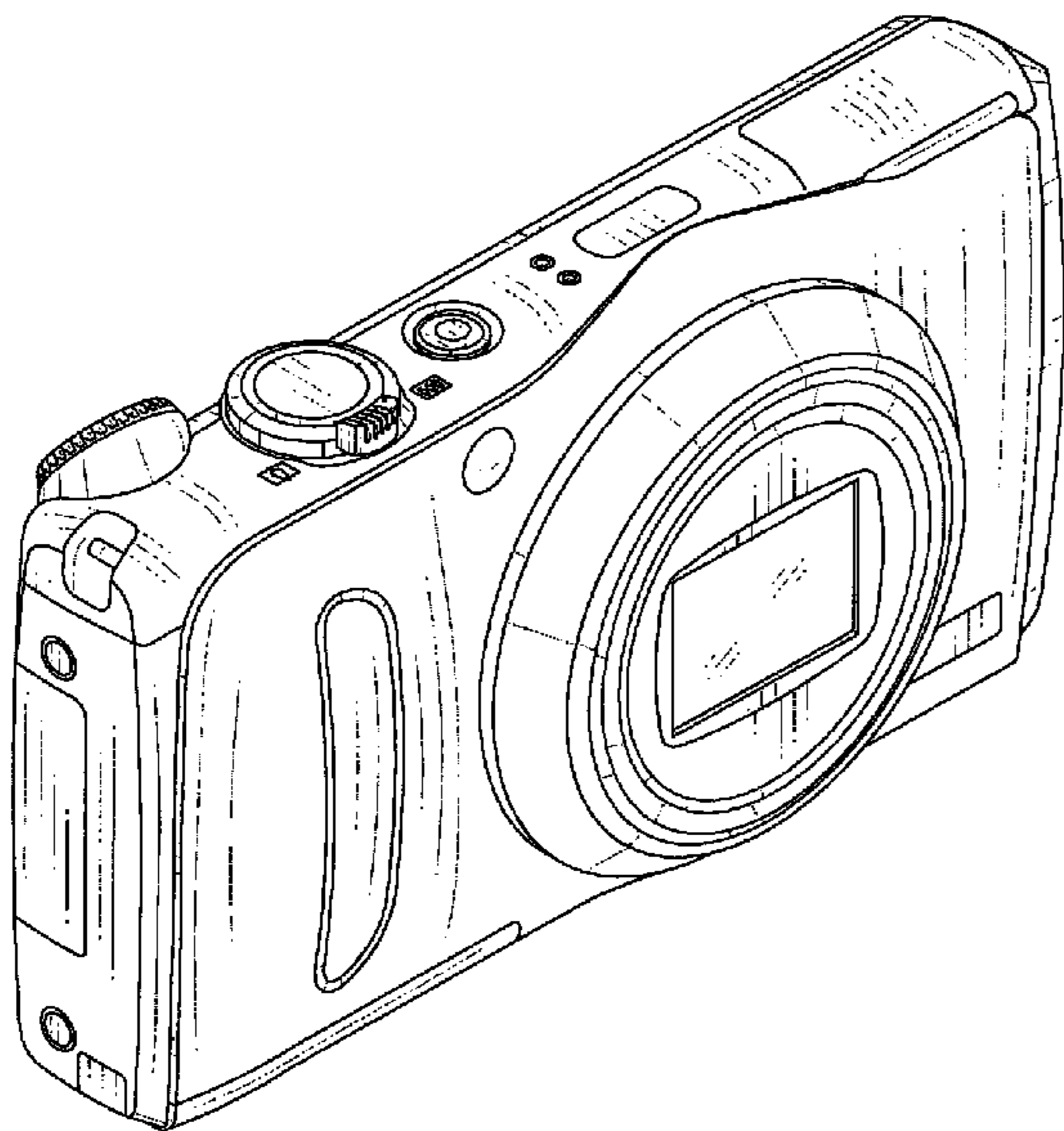


FIG. 1

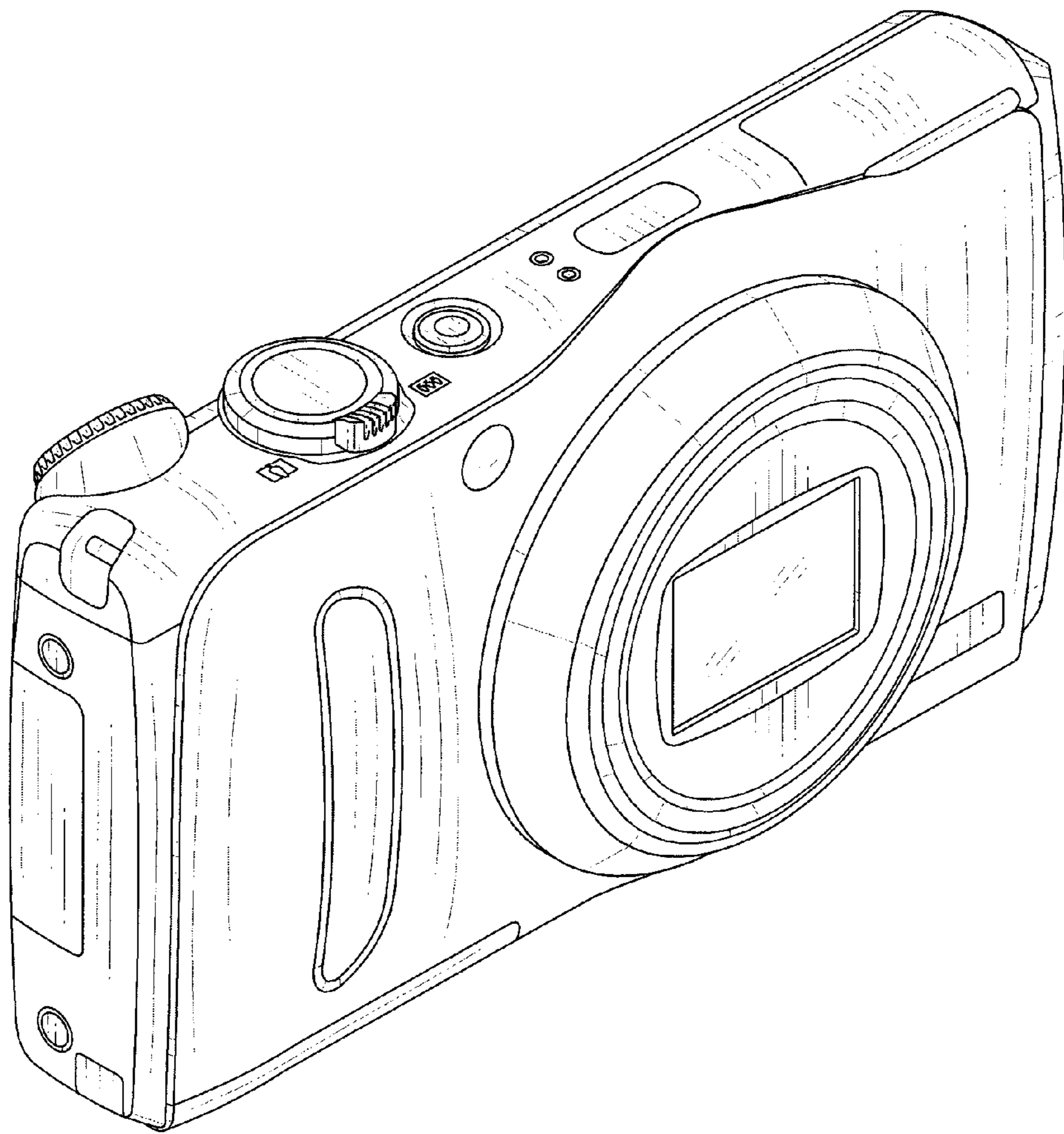


FIG. 2

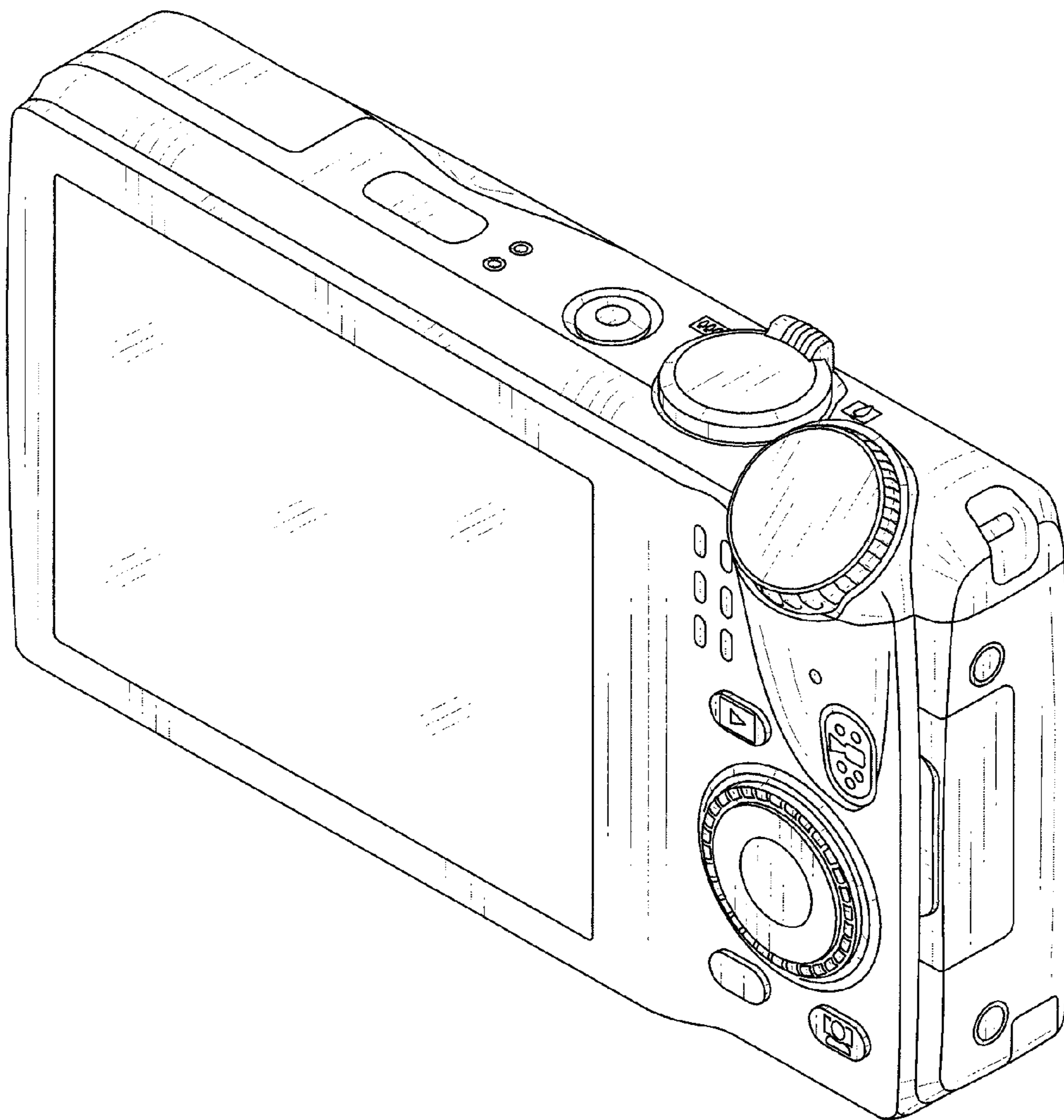


FIG. 3

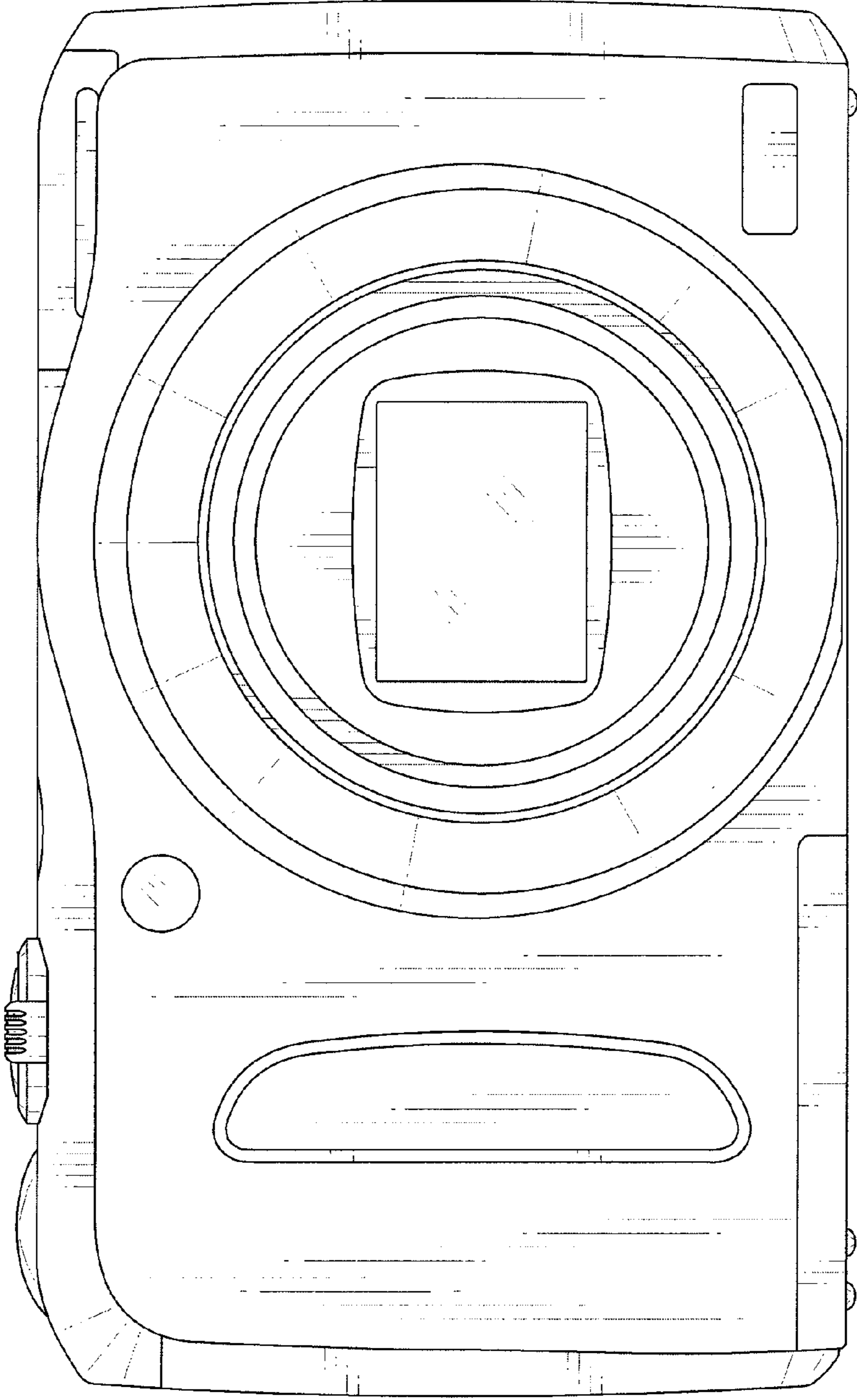


FIG. 4

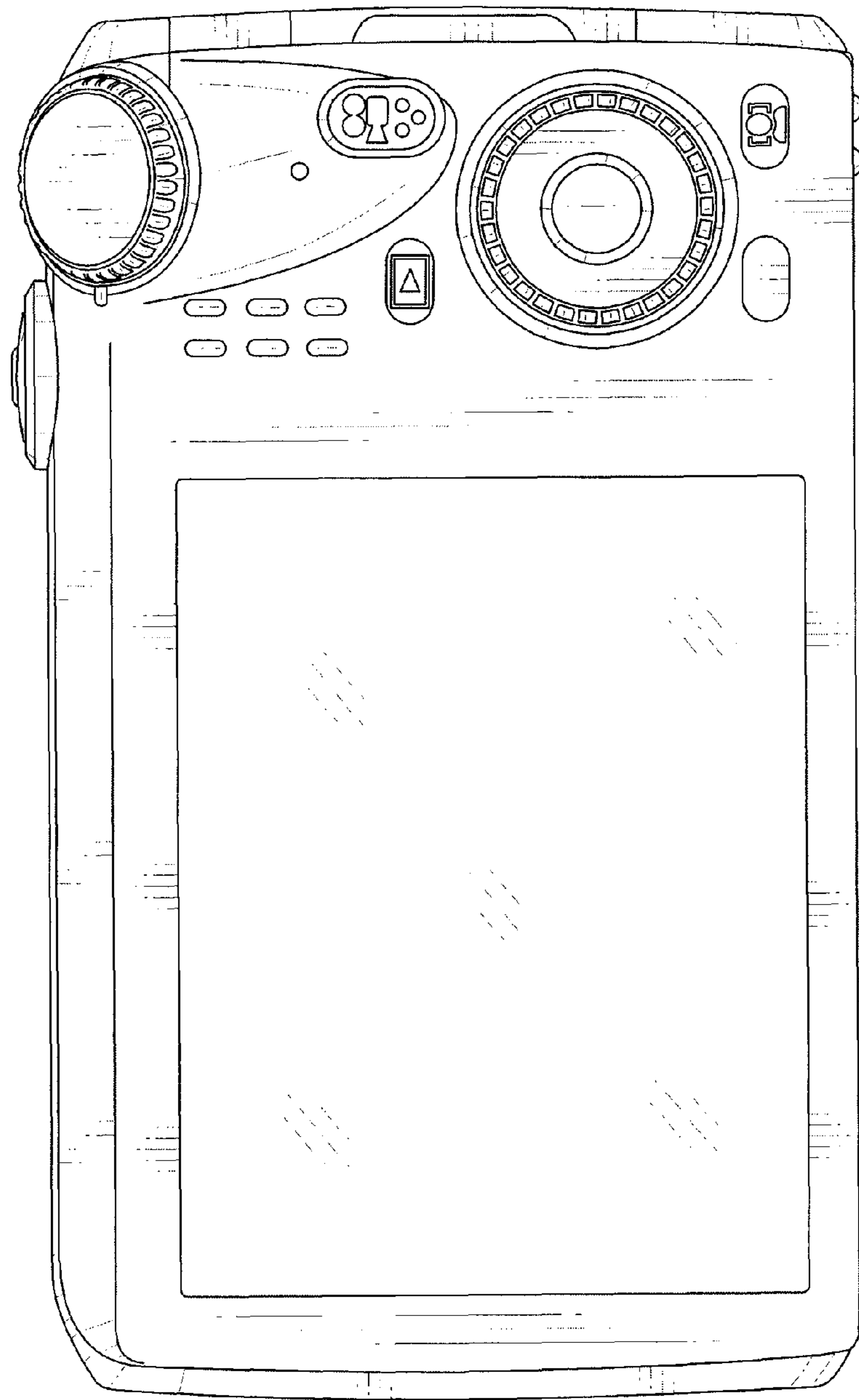


FIG. 5

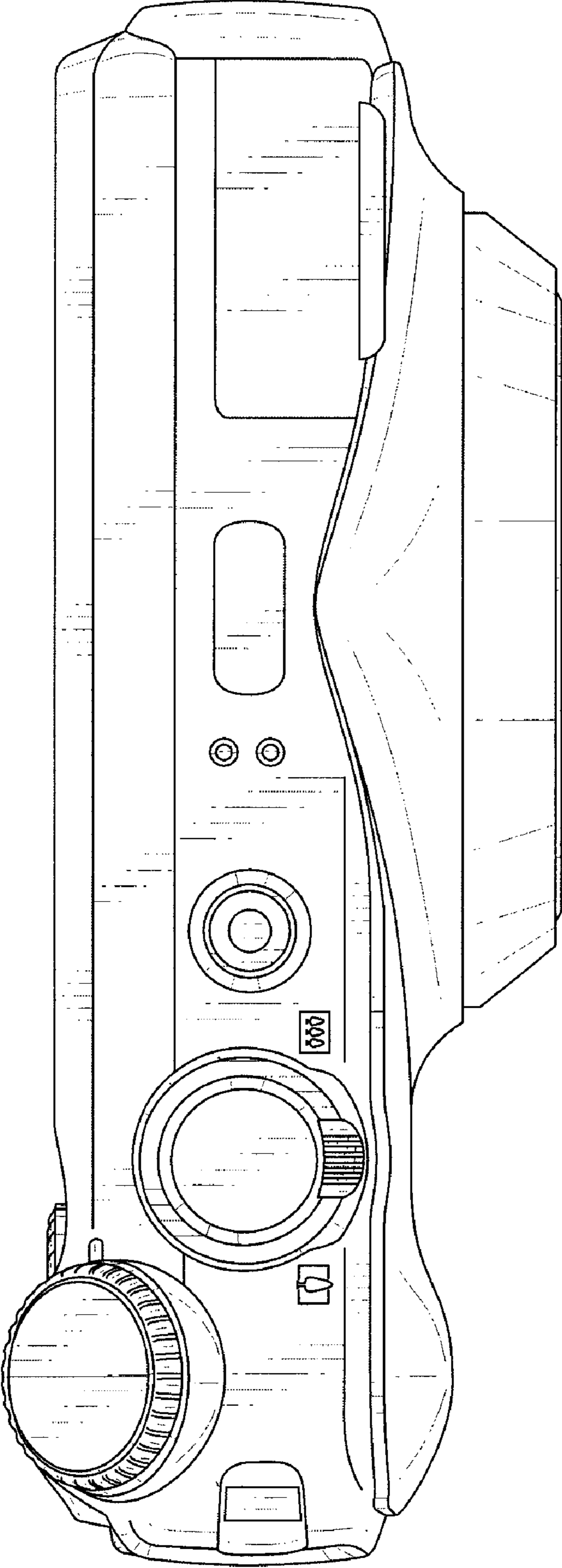


FIG. 6

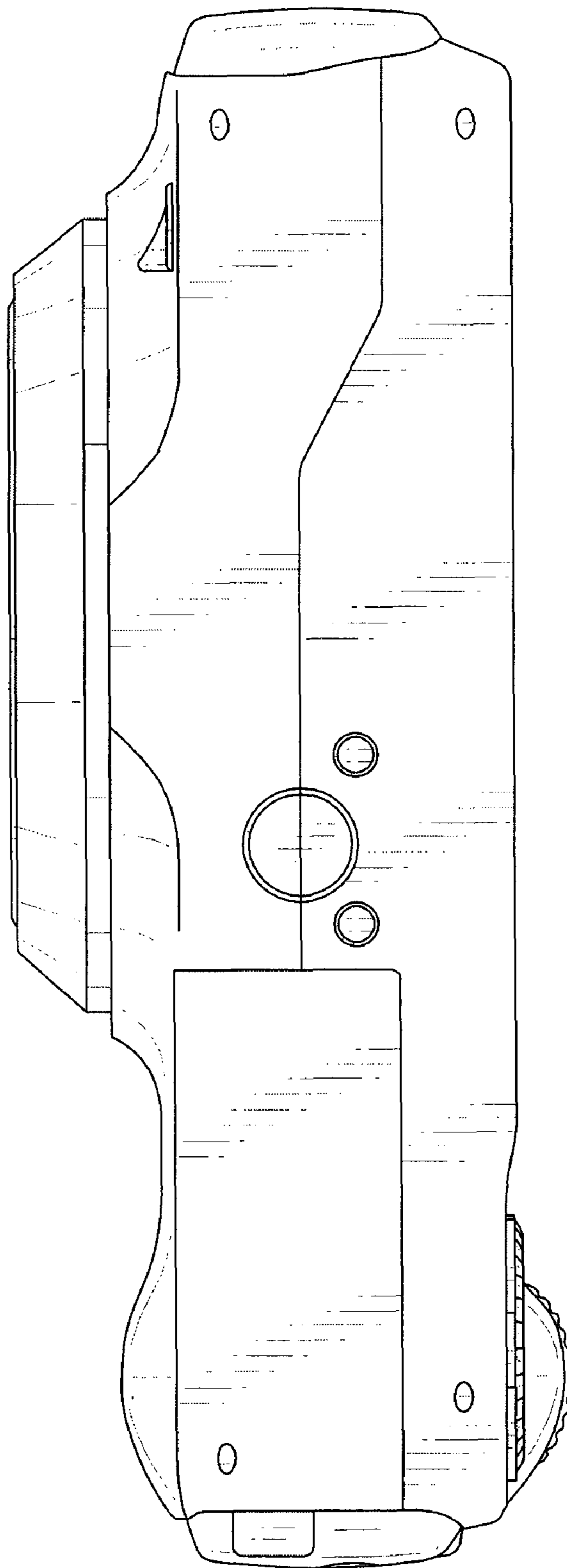


FIG. 7

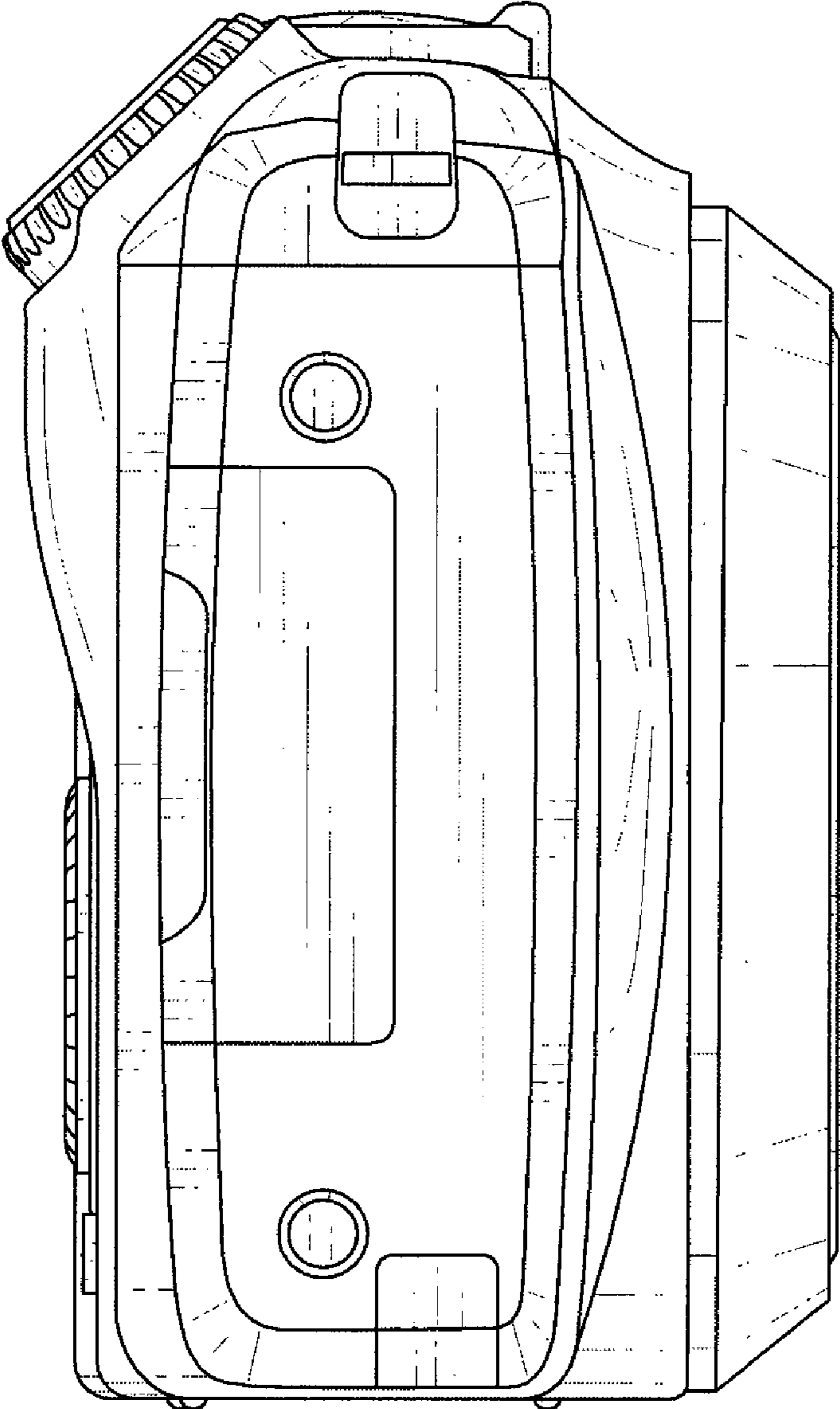


FIG. 8

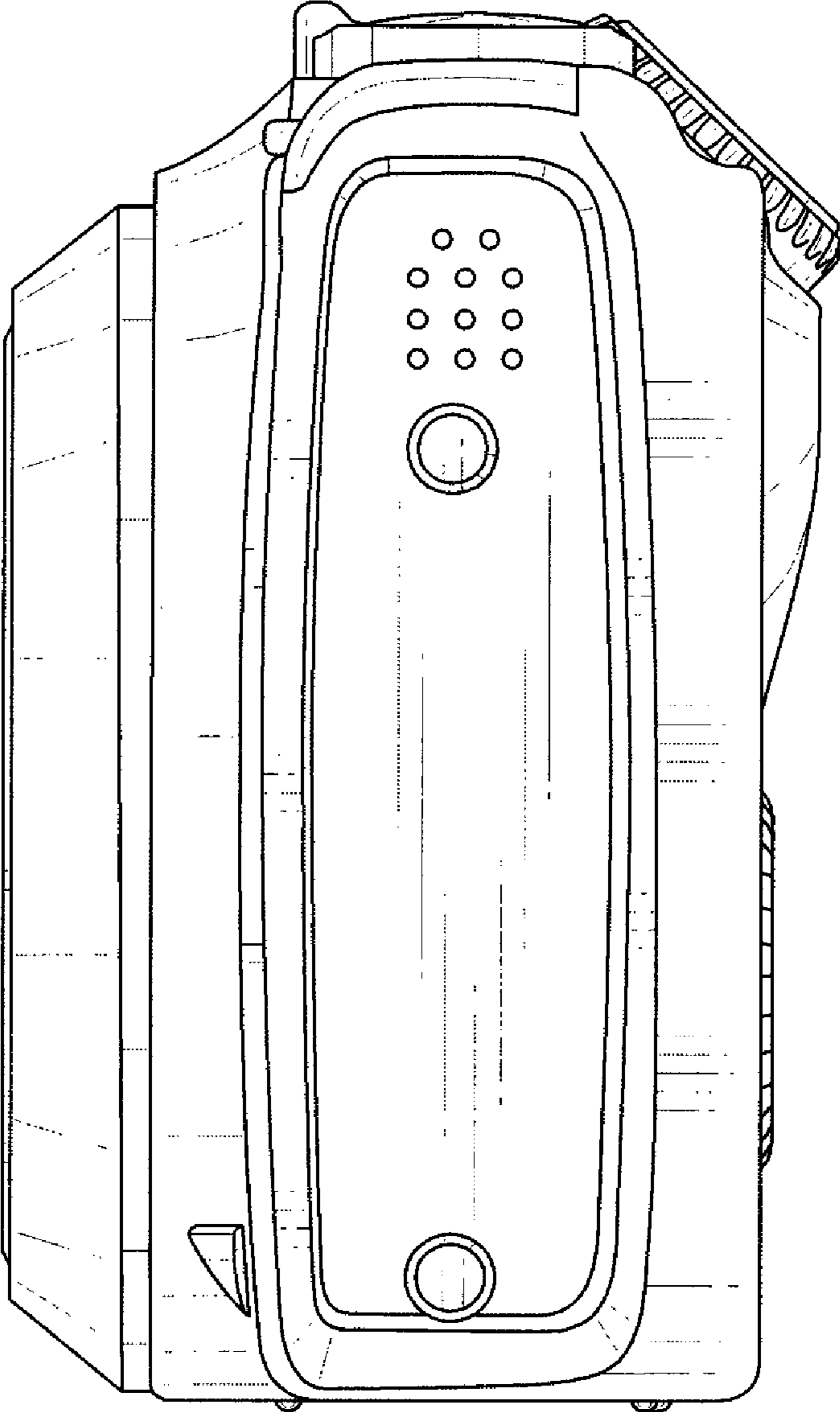


FIG. 9

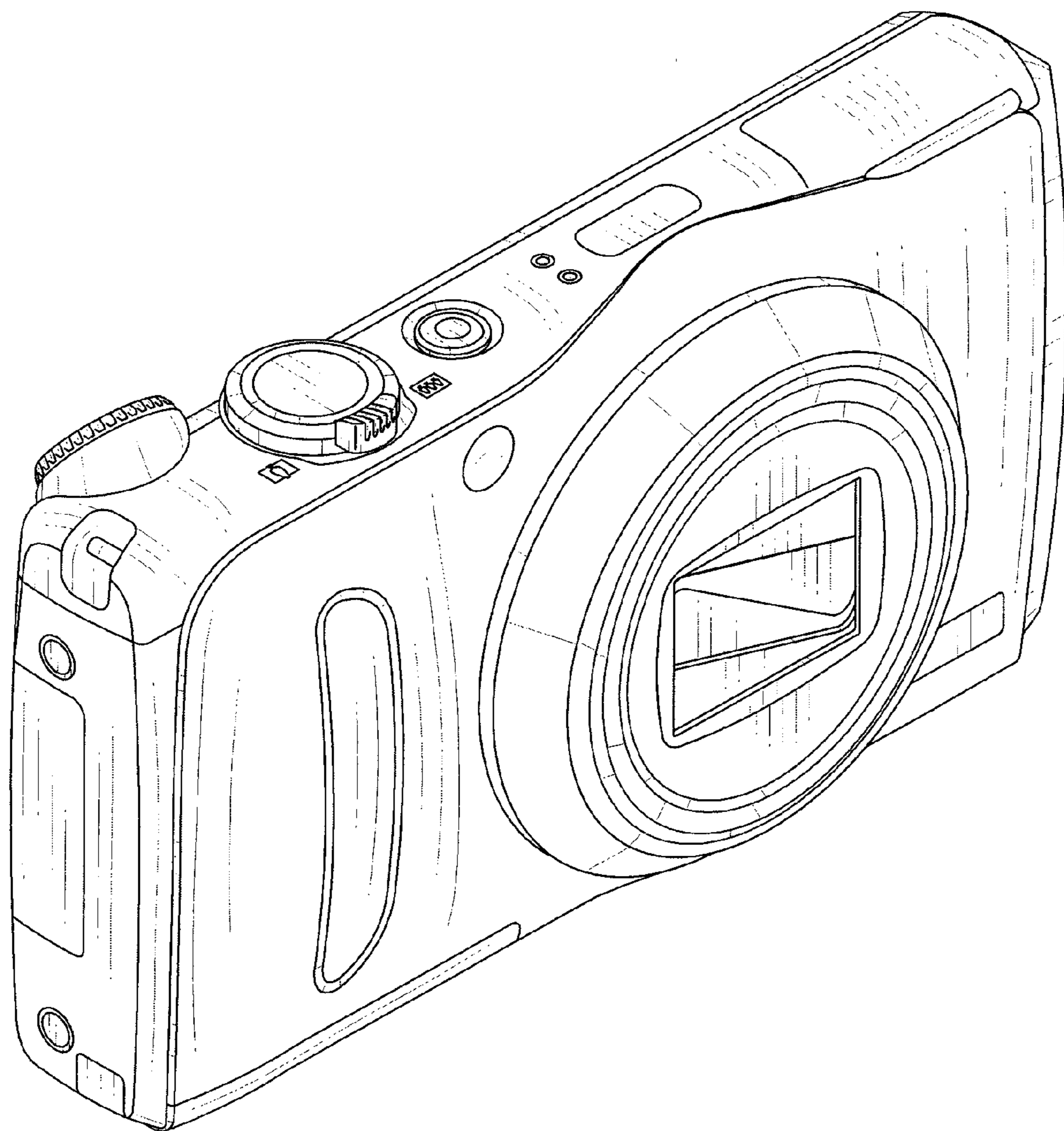


FIG. 10

