



US00D640297S

(12) **United States Design Patent**
Deville

(10) **Patent No.:** **US D640,297 S**

(45) **Date of Patent:** **** Jun. 21, 2011**

(54) **CERAMIC MILLING MACHINE**

(75) **Inventor:** **Charles Louis Marie Deville,**
Asnieres-sur-Seine (FR)

(73) **Assignee:** **Carestream Health, Inc.,** Rochester,
NY (US)

(**) **Term:** **14 Years**

(21) **Appl. No.:** **29/378,336**

(22) **Filed:** **Nov. 3, 2010**

(51) **LOC (9) Cl.** **15-09**

(52) **U.S. Cl.** **D15/131**

(58) **Field of Classification Search** D6/432,
D6/436, 470-472; D15/122, 123, 124, 127,
D15/131; 29/560, 568; 209/139.1; 241/37,
241/65, 79.1, 80, 117, 119, 121, 130, 159,
241/224, 227, 230, 232, 234, 235, 260; 408/38;
409/64, 89, 160, 201, 210

See application file for complete search history.

(56) **References Cited**

U.S. PATENT DOCUMENTS

D328,467 S * 8/1992 Maleschew D15/131
5,786,557 A * 7/1998 Girardin 219/69.11
D445,807 S * 7/2001 Baulk D15/127
D542,311 S * 5/2007 Inaba et al. D15/127

D604,342 S * 11/2009 Lodridge D15/122
D612,873 S * 3/2010 Spinelli et al. D15/131
2006/0076821 A1 * 4/2006 Troudt et al. 299/39.2
2009/0148252 A1 * 6/2009 Quadling et al. 409/199

* cited by examiner

Primary Examiner — Patricia Palasik

(57) **CLAIM**

The ornamental design for a ceramic milling machine, as shown and described.

DESCRIPTION

FIG. 1 is a front perspective view of a ceramic milling machine showing my new design.

FIG. 2 is a front elevational view thereof.

FIG. 3 is a left side elevational view thereof.

FIG. 4 is a right side elevational view thereof.

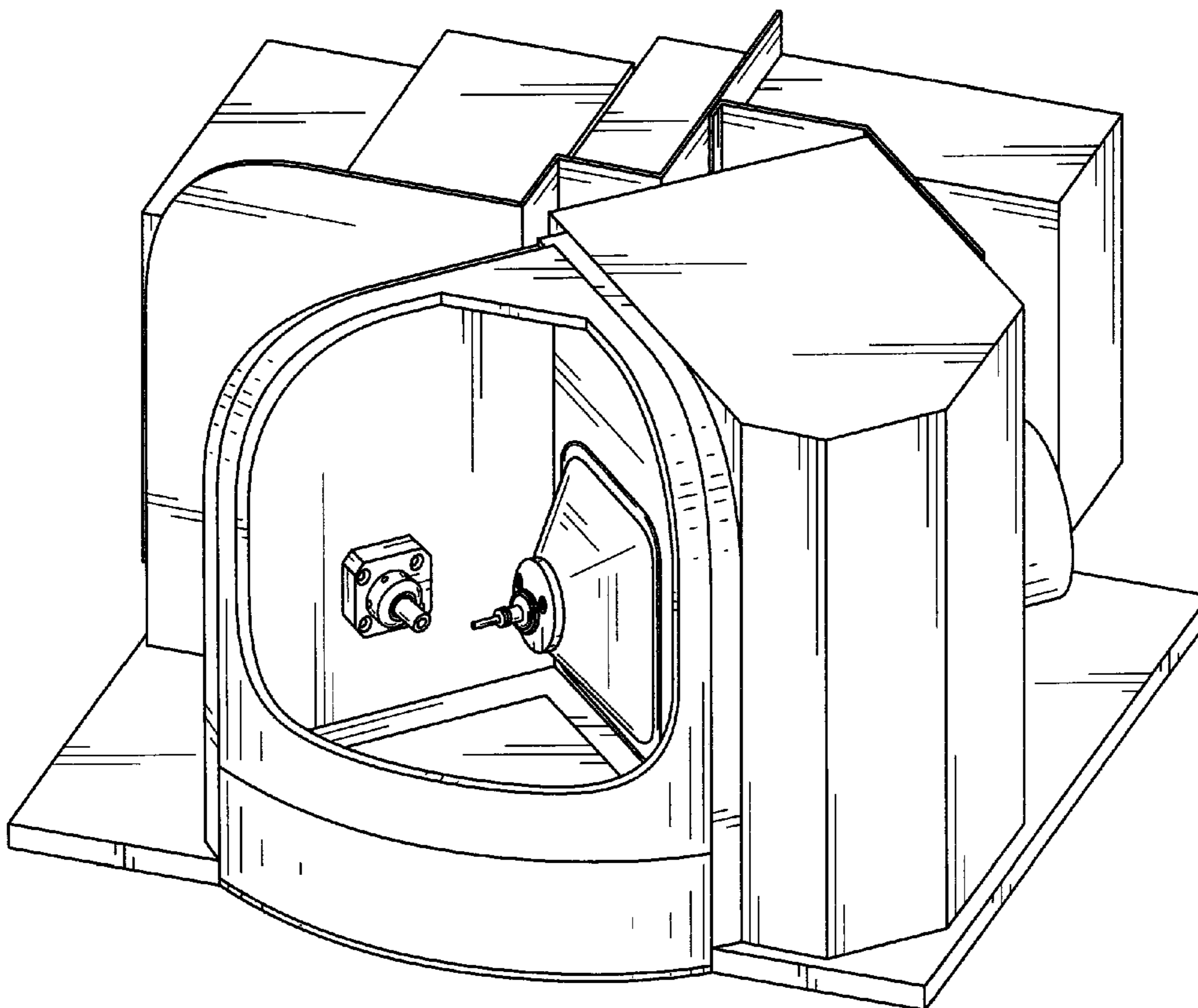
FIG. 5 is a top plan view thereof.

FIG. 6 is a front perspective view of the ceramic milling machine of FIG. 1, with a receptacle in an open position; and, FIG. 7 is a front perspective view of the ceramic milling machine of FIG. 6, with the receptacle removed.

Any broken lines are for illustrative purposes only and forms no part of the claimed design.

The broken lines in the drawings depict unclaimed environmental subject matter.

1 Claim, 7 Drawing Sheets



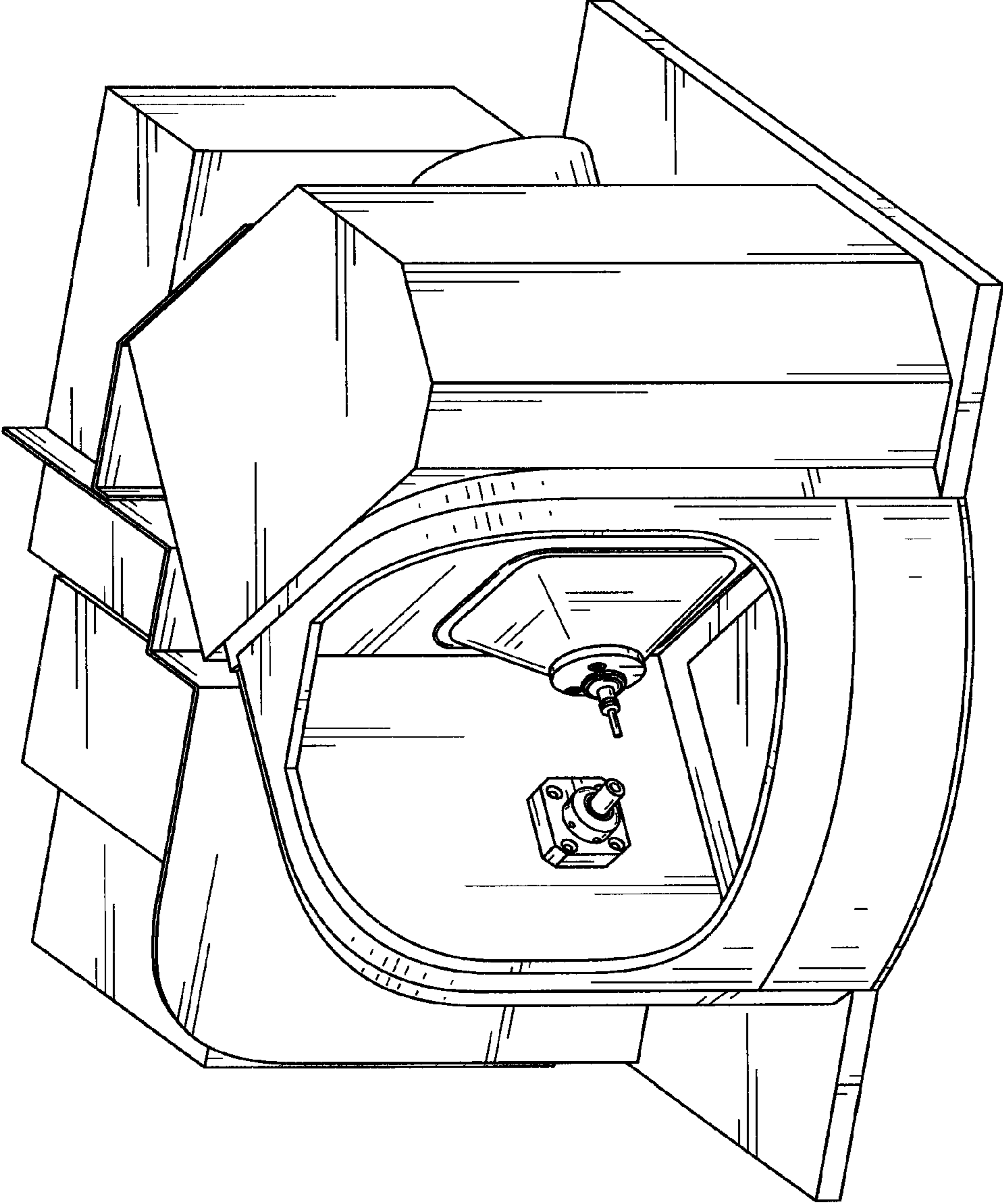


FIG. 1

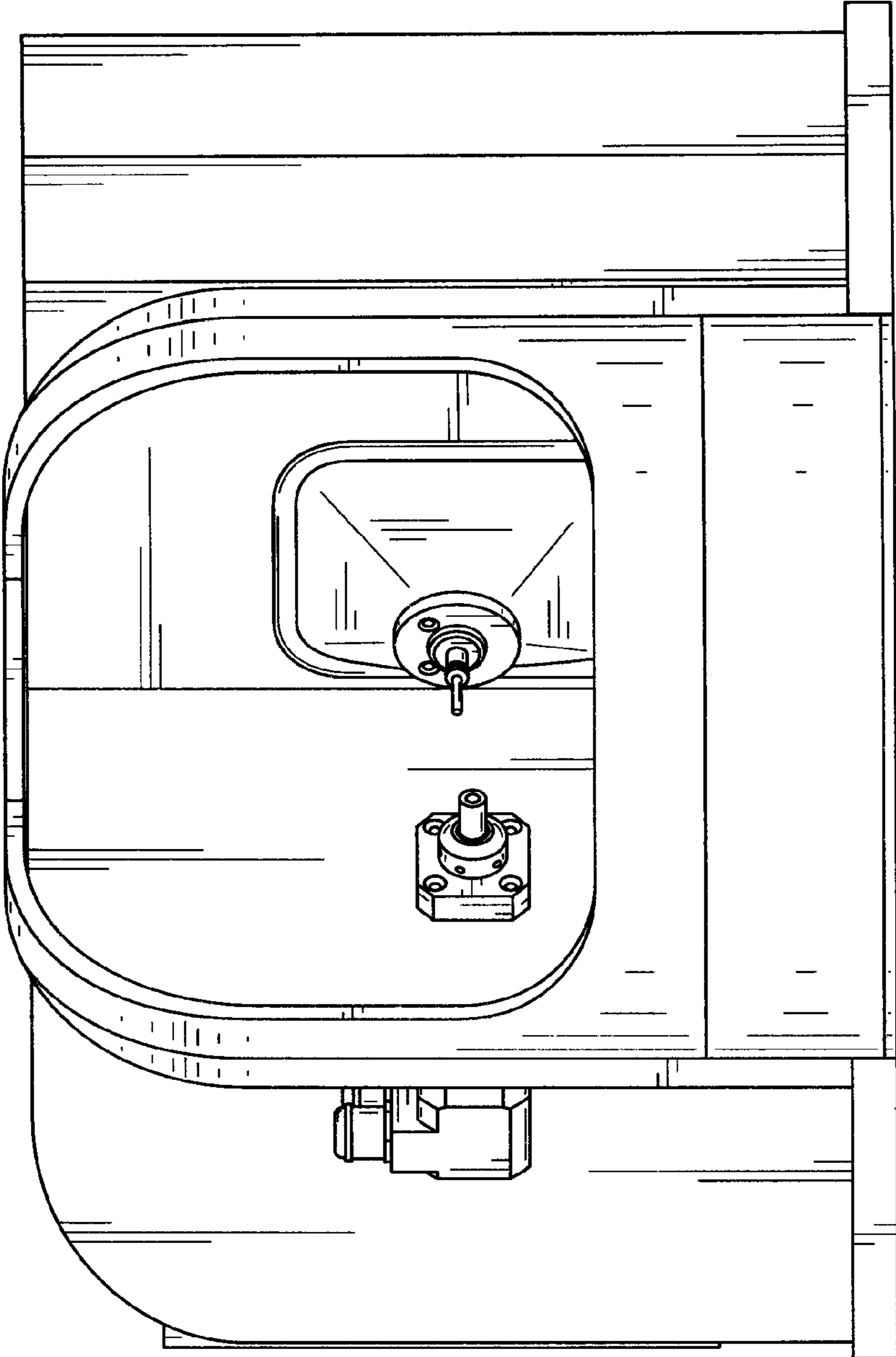


FIG. 2

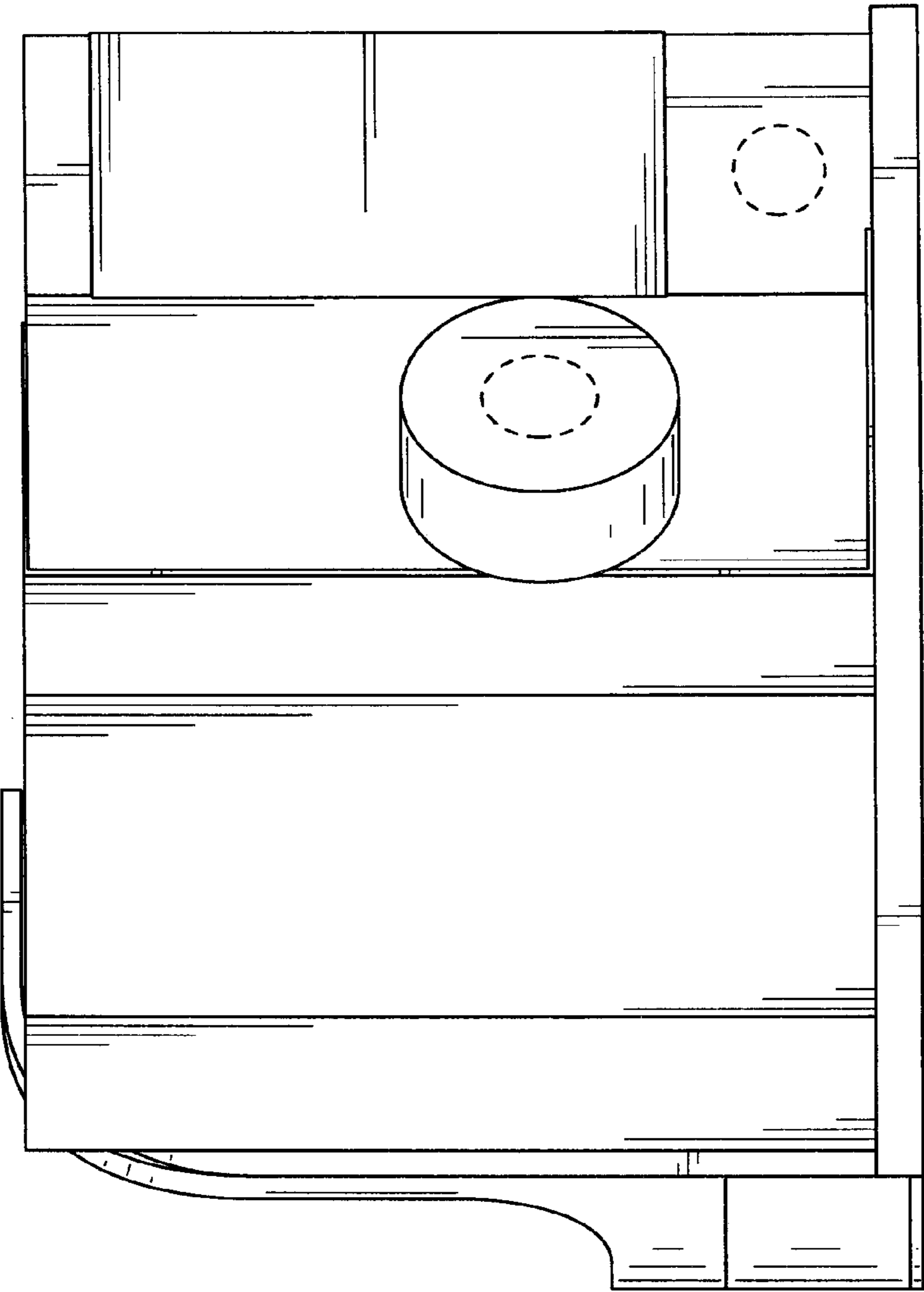


FIG. 3

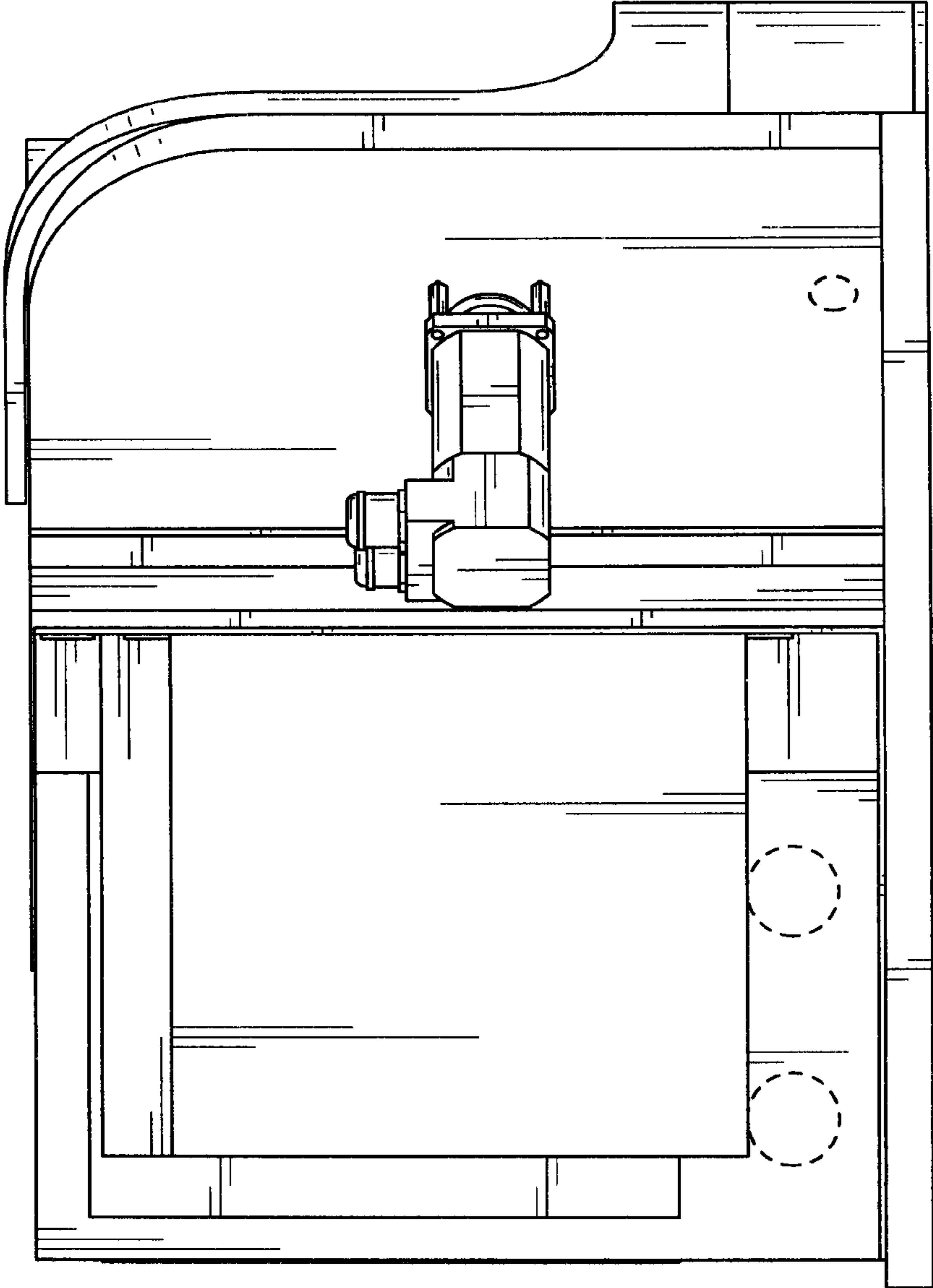


FIG. 4

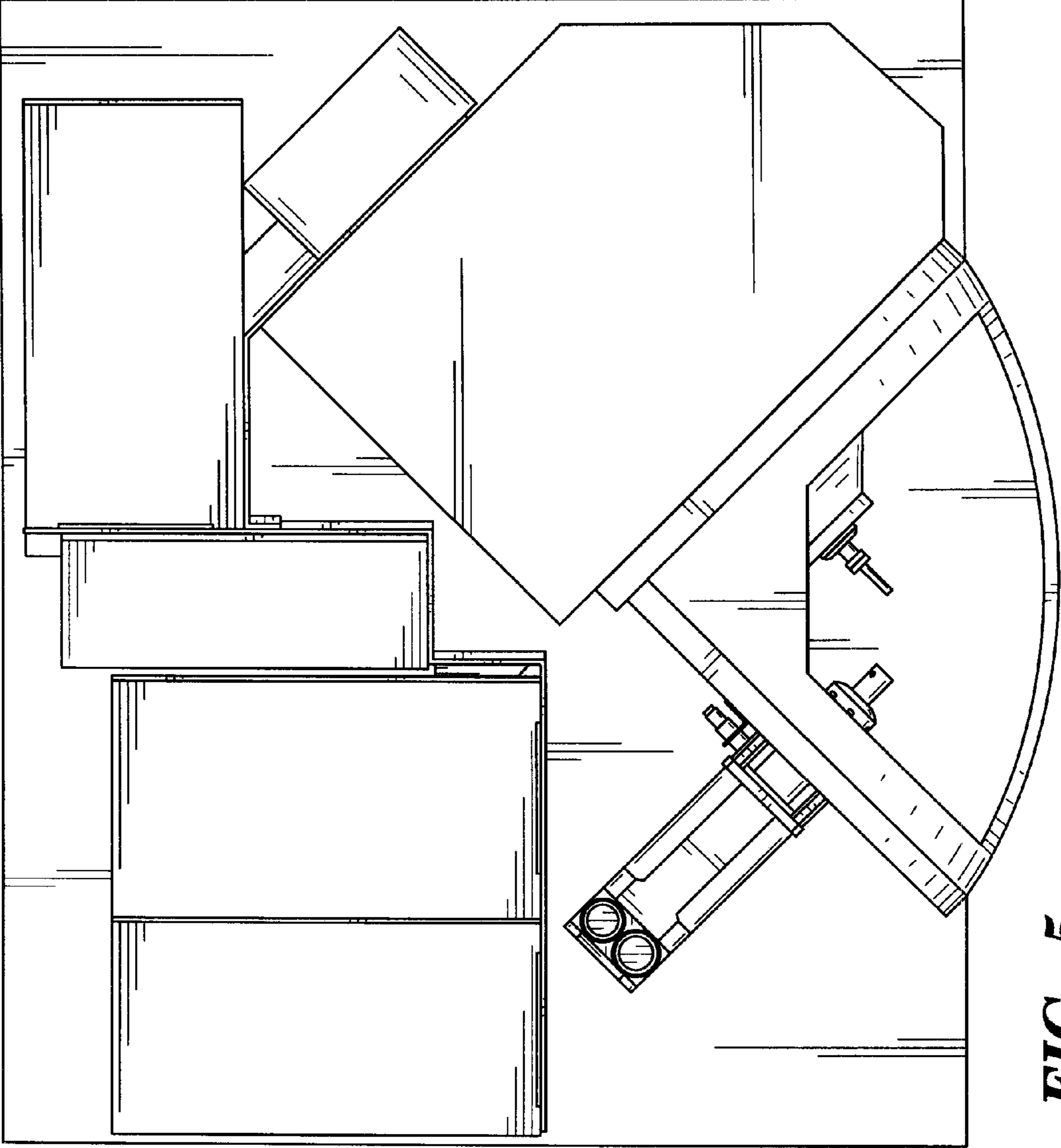


FIG. 5

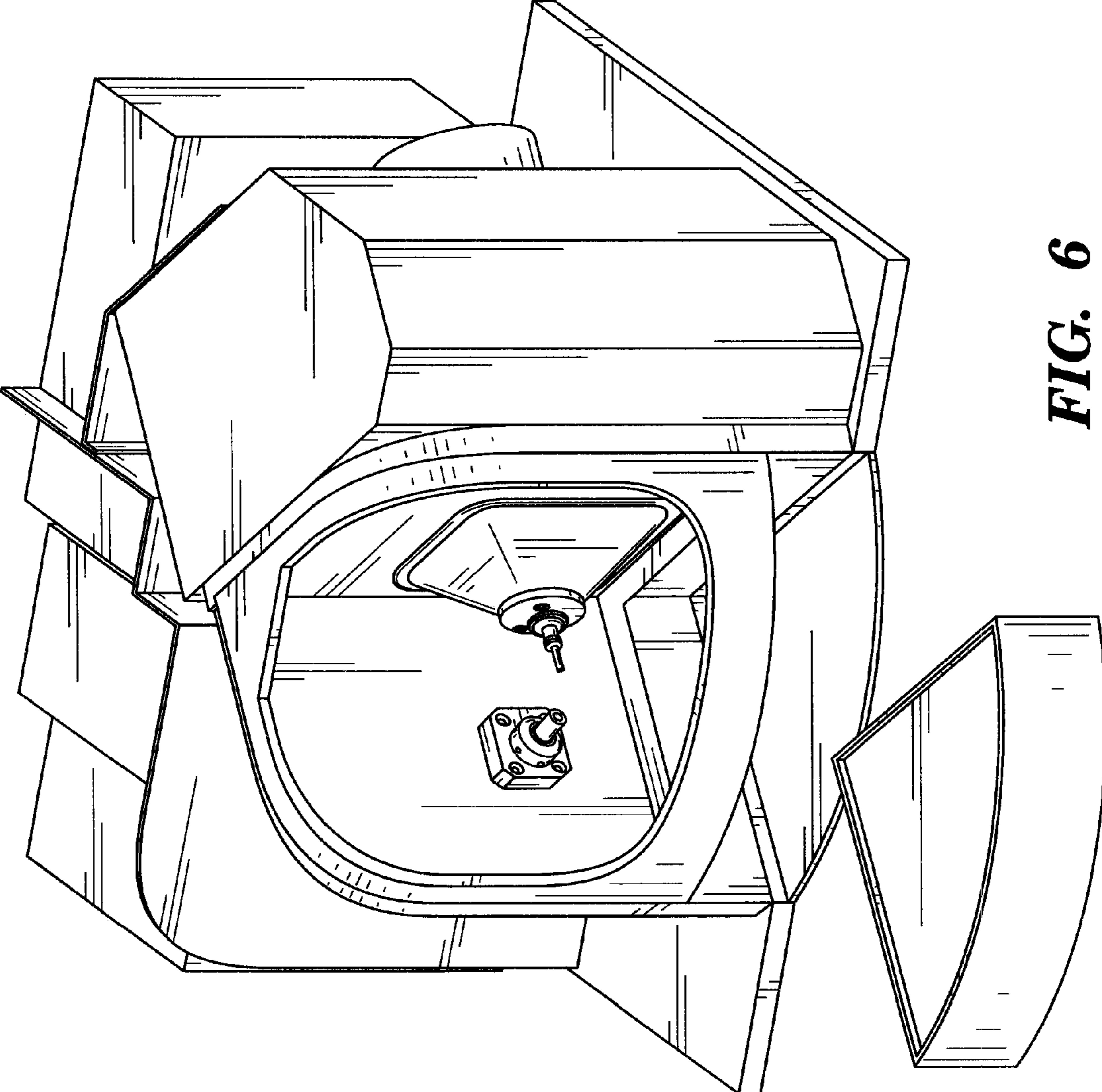


FIG. 6

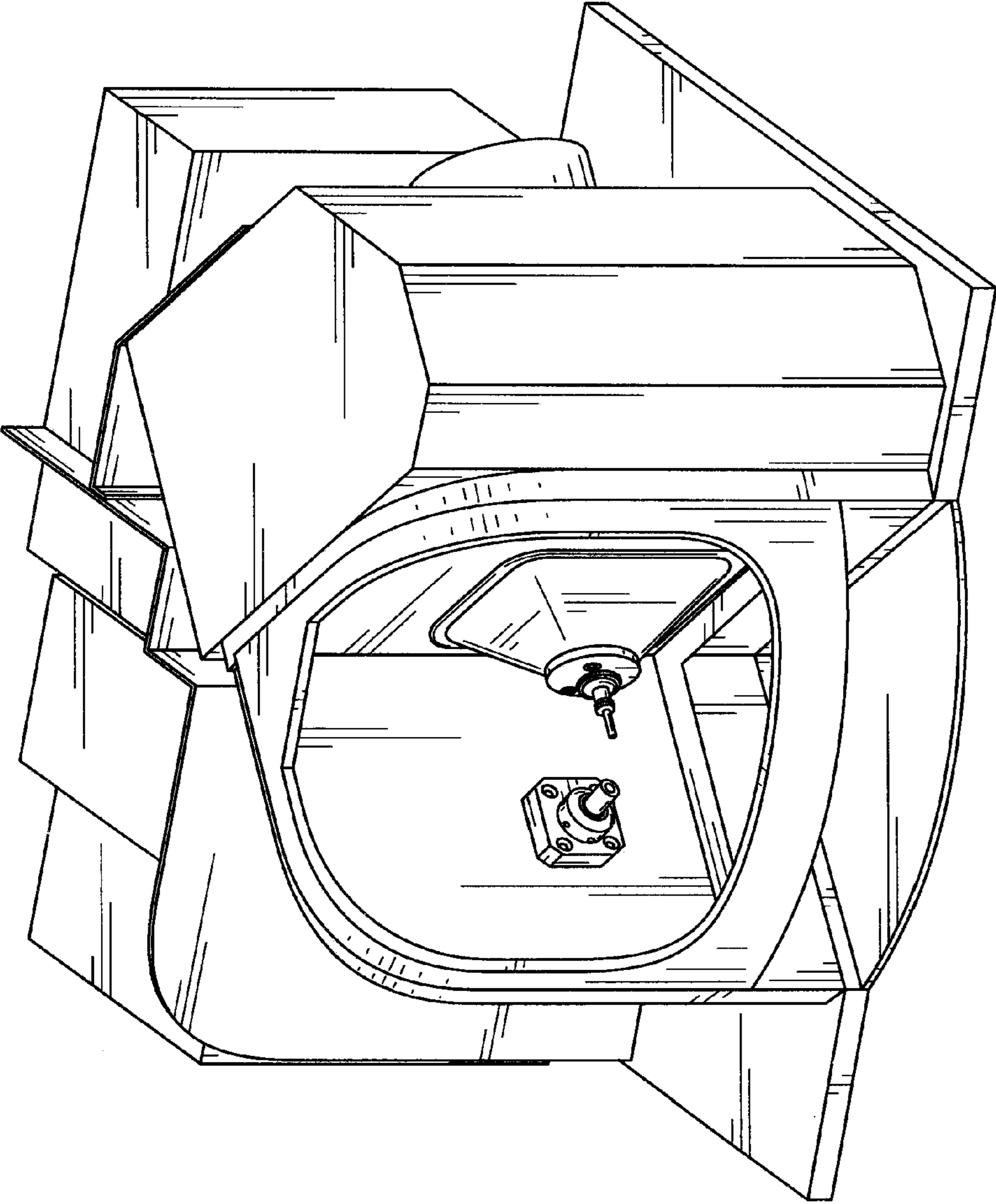


FIG. 7

UNITED STATES PATENT AND TRADEMARK OFFICE
CERTIFICATE OF CORRECTION

PATENT NO. : D640,297 S
APPLICATION NO. : 29/378336
DATED : June 21, 2011
INVENTOR(S) : Charles Louis Marie Deville and Yann Lecuyer

Page 1 of 1

It is certified that error appears in the above-identified patent and that said Letters Patent is hereby corrected as shown below:

Cover of patent item (75) Inventor

Inventors should read --Charles Louis Marie Deville,
Asnieres-sur-Seine (FR) and Yann Lecuyer, Paris (FR)--

Signed and Sealed this
Twelfth Day of February, 2013



Teresa Stanek Rea
Acting Director of the United States Patent and Trademark Office