

US00D640295S

(12) **United States Design Patent**  
**Pietrowski**

(10) **Patent No.:** **US D640,295 S**  
(45) **Date of Patent:** **\*\* Jun. 21, 2011**

- (54) **NOZZLE FOR A SAND JET**
- (75) Inventor: **Peter Pietrowski**, Recklinghausen (DE)
- (73) Assignee: **IBEG, Inc.**, Marietta, GA (US)
- (\*\*) Term: **14 Years**
- (21) Appl. No.: **29/378,813**
- (22) Filed: **Nov. 10, 2010**

D218,910 S	10/1970	Gargrave	
4,460,011 A	7/1984	Huber, Jr.	
4,528,782 A	7/1985	Bean	
D281,432 S	11/1985	Tuomaala	
4,551,955 A	11/1985	Zion, Jr.	
4,633,623 A *	1/1987	Spitz	451/102
4,827,680 A *	5/1989	Rushing et al.	451/38
4,845,903 A	7/1989	Woodward	
5,209,409 A	5/1993	Neiss	
D344,880 S	3/1994	Salas, Jr.	
D346,317 S	4/1994	Throneberry	
D353,918 S	12/1994	Bruno et al.	

(Continued)

**Related U.S. Application Data**

- (62) Division of application No. 29/358,874, filed on Apr. 1, 2010, now abandoned.
- (51) **LOC (9) Cl.** ..... **15-09**
- (52) **U.S. Cl.** ..... **D15/126**
- (58) **Field of Classification Search** ..... D8/70, D8/71; D15/124, 126, 138; D32/31-34; 83/36, 112, 113, 120, 165, 371, 404, 404.1, 83/425.2, 425.3, 425.4, 435.2, 435.24, 435.26, 83/435.27, 455, 461, 471.2, 471.3, 473, 485, 83/486.1, 487, 488, 489, 492, 574, 578, 613, 83/703, 707, 708, 713, 717, 719, 721, 743, 83/745, 794, 795, 797, 798, 799, 800, 813, 83/878, 928; 144/1.1, 3.1, 39, 117.1, 208.8, 144/340, 357, 367, 378, 410, 420; 198/519, 198/560, 632, 745.9, 746.8; 280/651, 796, 280/800

See application file for complete search history.

**References Cited**

**U.S. PATENT DOCUMENTS**

1,292,371 A	1/1919	Reilly	
1,813,733 A	7/1931	Freeman	
2,039,938 A *	5/1936	Schultz	451/102
2,387,193 A *	10/1945	Swenarton	451/40

**OTHER PUBLICATIONS**

“IBEGS’s Standard Triangular Sand Nozzles”, on sale or public use in the United States prior to at least Apr. 10, 2009.

*Primary Examiner* — Patricia Palasik

(74) *Attorney, Agent, or Firm* — Smith, Gambrell & Russell

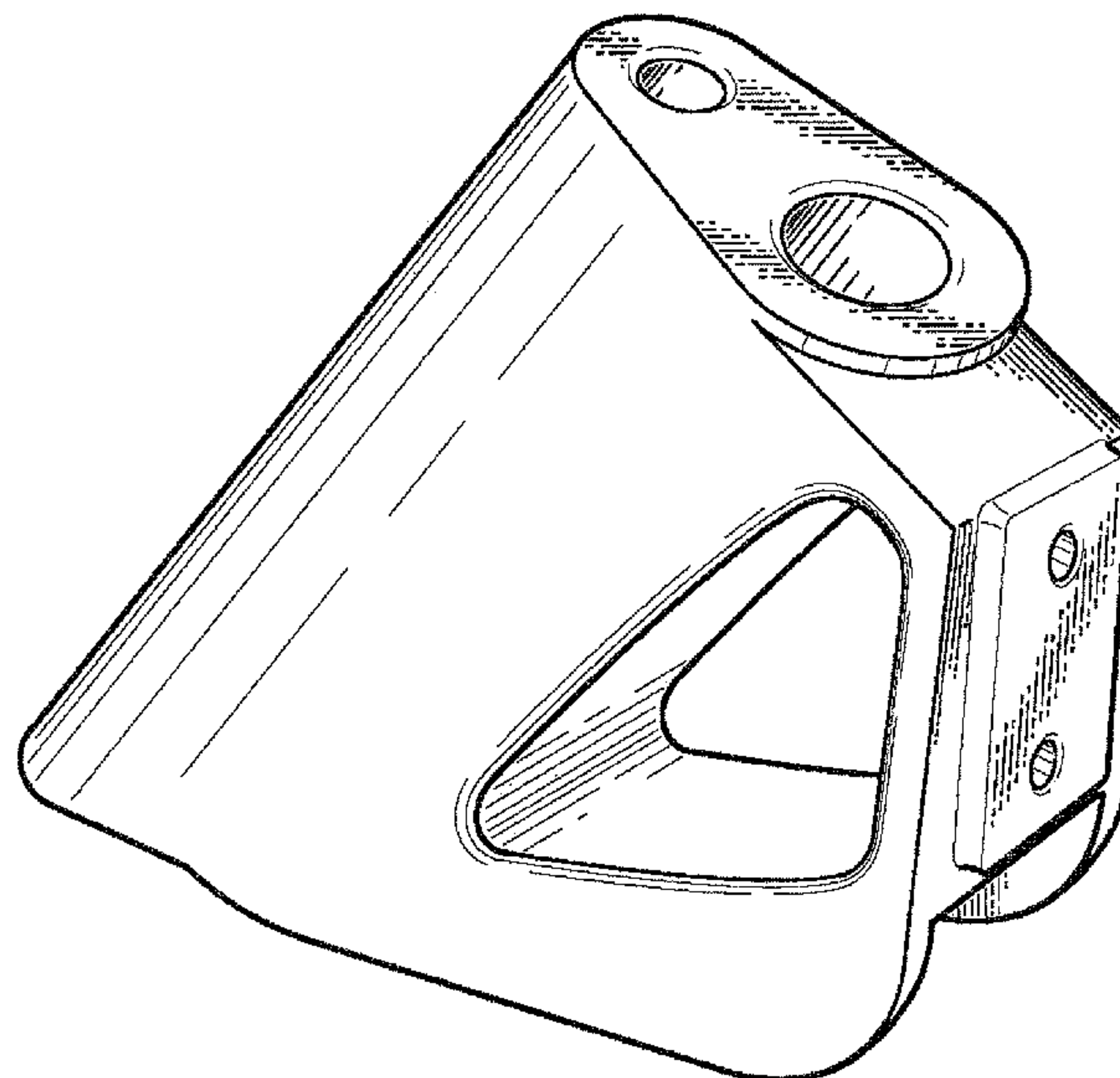
(57) **CLAIM**

The ornamental design for a nozzle for a sand jet, as shown and described.

**DESCRIPTION**

FIG. 1 is a side perspective view of the nozzle for a sand jet; FIG. 2 is a bottom perspective view of the nozzle for a sand jet; FIG. 3 is a first side elevational view of the nozzle for a sand jet, the first side elevational view of the nozzle for a sand jet being a mirror image of a second side elevational view of the nozzle for a sand jet; FIG. 4 is a rear elevational view of the nozzle for a sand jet; FIG. 5 is a front elevational view of the nozzle for a sand jet; FIG. 6 is a top plan view of the nozzle for a sand jet; and, FIG. 7 is a bottom plan view of the nozzle for a sand jet.

**1 Claim, 5 Drawing Sheets**



# US D640,295 S

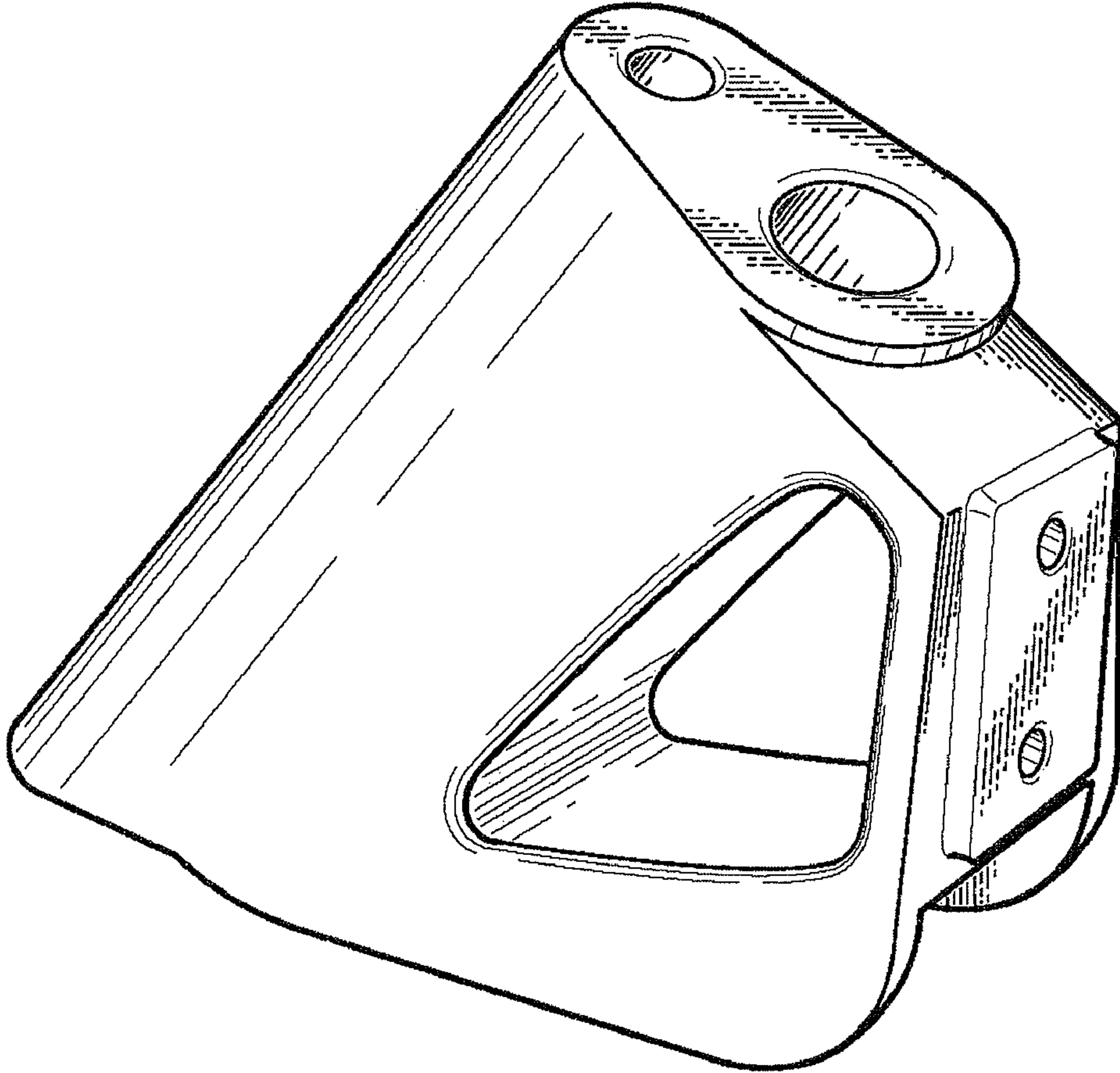
Page 2

---

## U.S. PATENT DOCUMENTS

D388,445 S	12/1997	Powlett					
5,795,214 A	8/1998	Leon					
D412,511 S	8/1999	Lefevre					
5,961,053 A *	10/1999	Raghavan et al. ....	239/599				
6,273,789 B1 *	8/2001	LaSalle et al. ....	451/38				
6,293,857 B1 *	9/2001	Allard .....	451/102				
D474,529 S	5/2003	Sodemann et al.					
6,722,589 B1 *	4/2004	Ohno et al. ....	239/654				
				6,769,956 B1	8/2004	Konieczny	
				6,976,713 B2	12/2005	Kish	
				D551,973 S	10/2007	Hildebrand	
				D571,257 S	6/2008	Biddings	
				D582,114 S	12/2008	Dyson	
				D618,790 S	6/2010	Bukoski et al.	
				2004/0069876 A1 *	4/2004	Ohno et al. ....	239/654

\* cited by examiner



**FIG. 1**

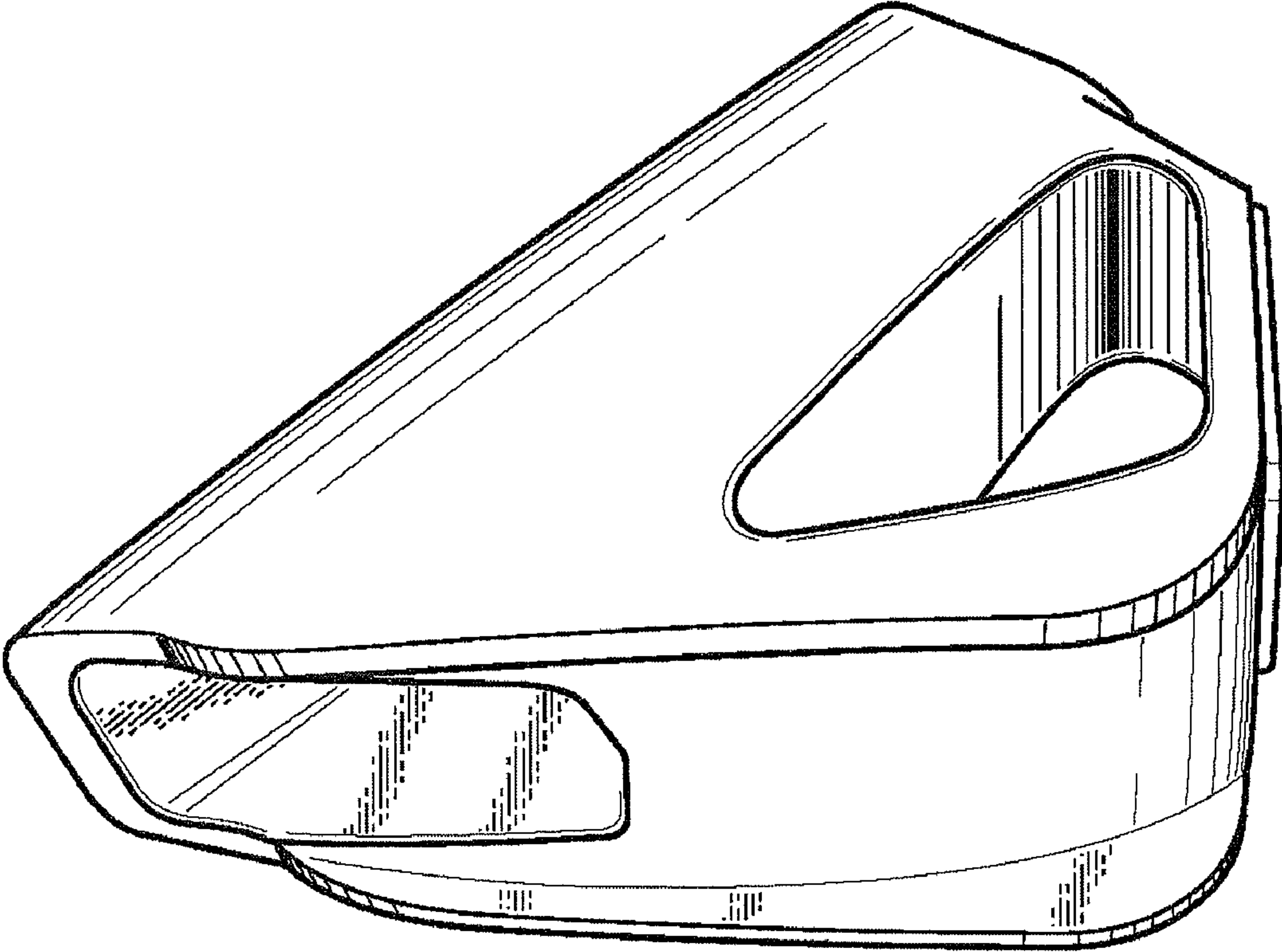


FIG. 2

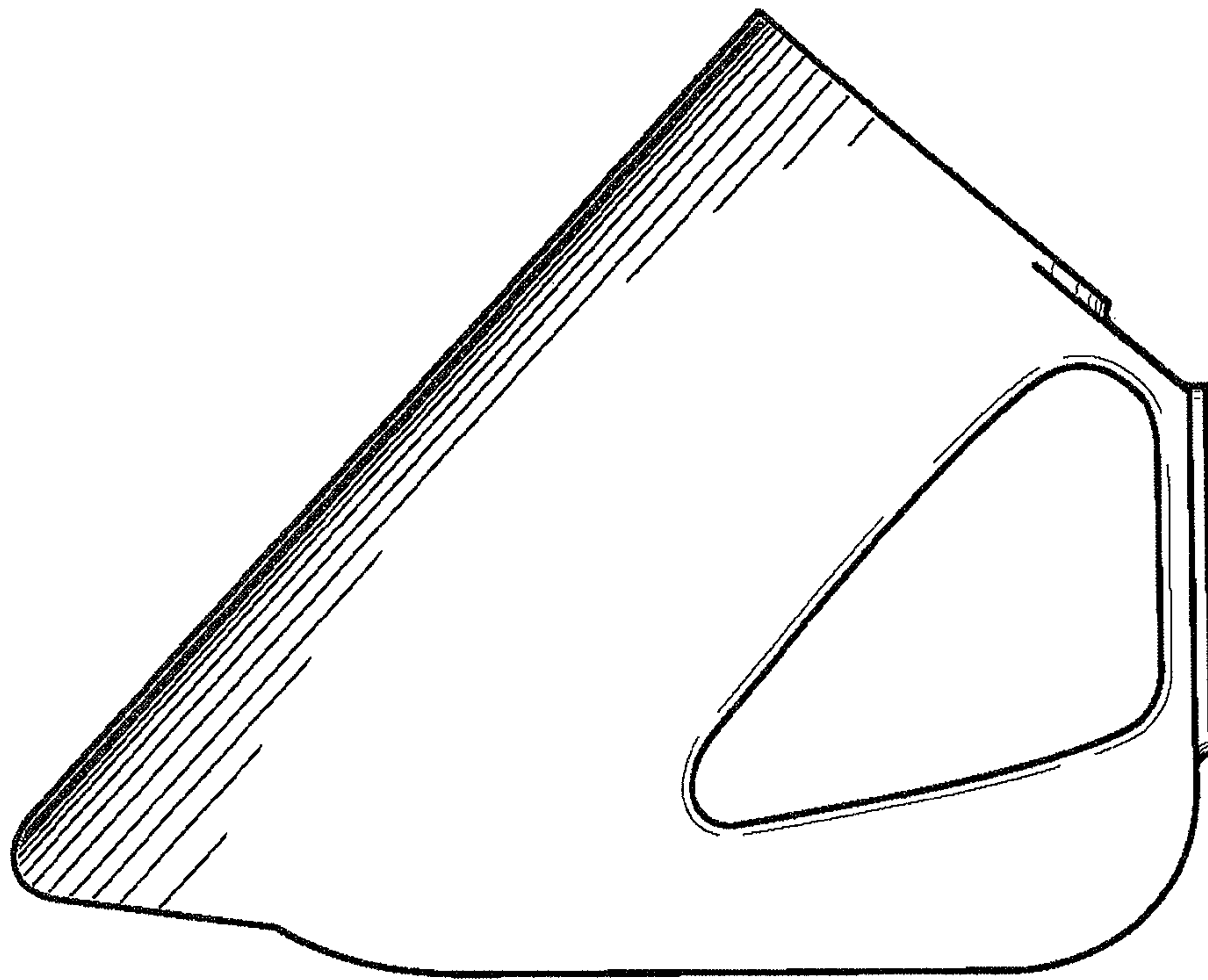
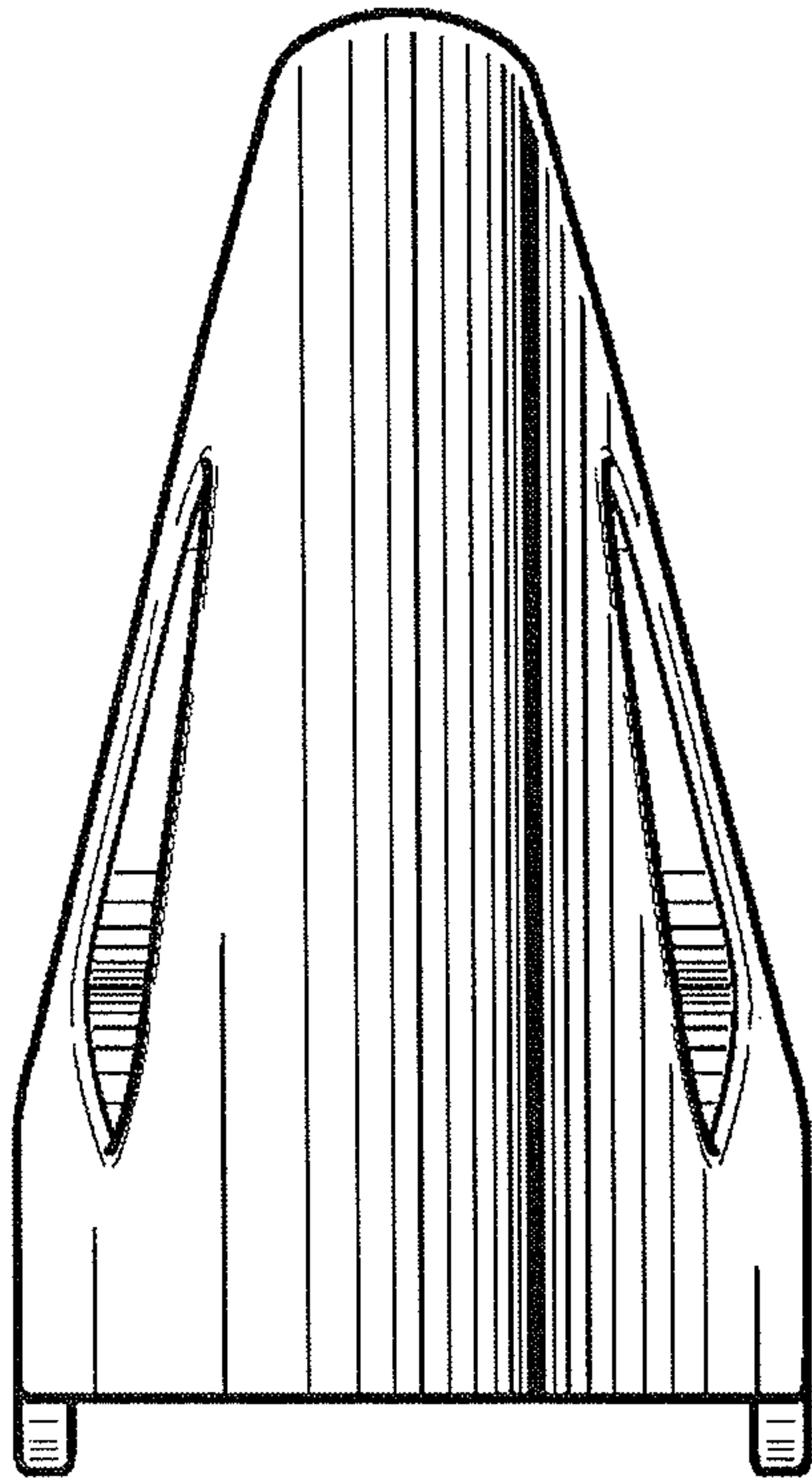
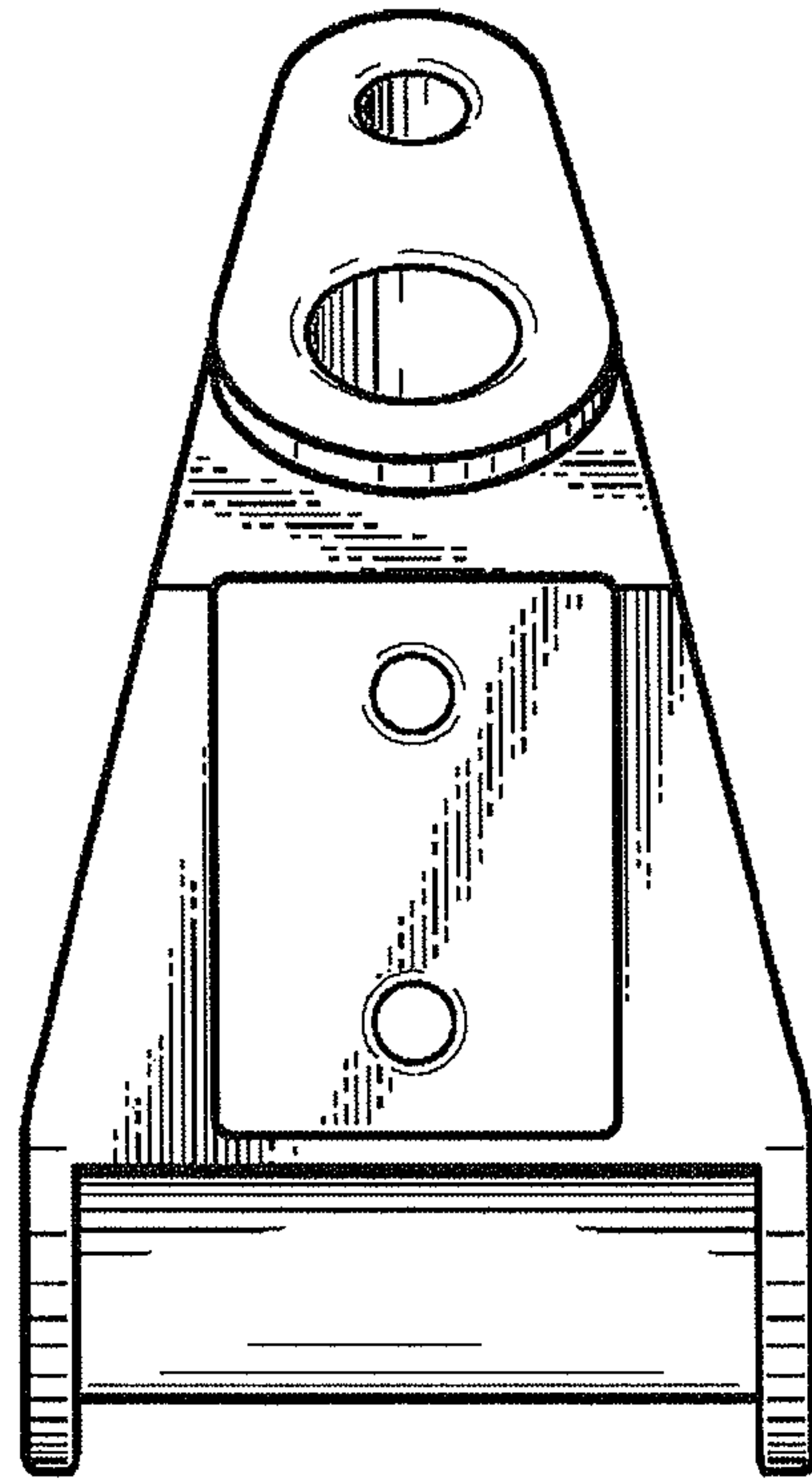


FIG. 3





**FIG. 4**



**FIG. 5**

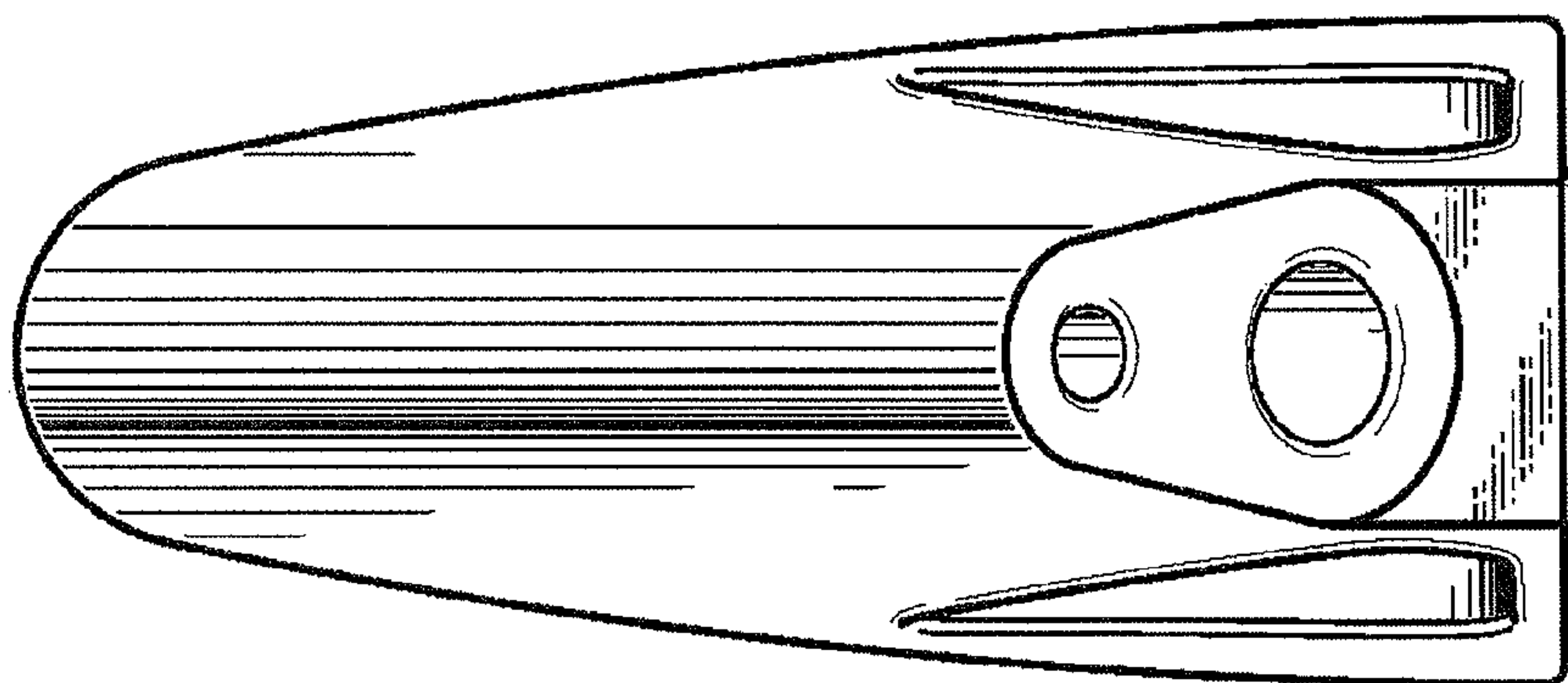


FIG. 6

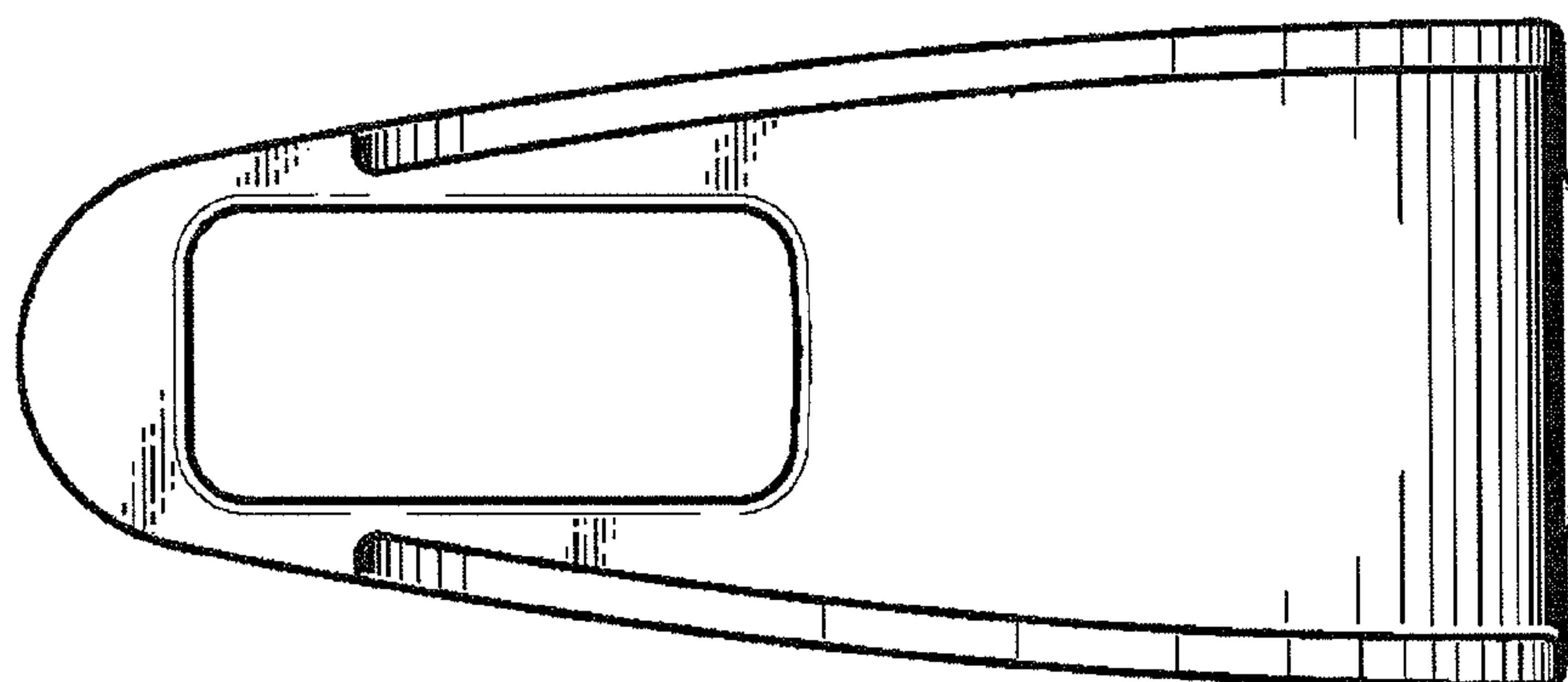


FIG. 7