



US00D640292S

(12) **United States Design Patent**
Stellman et al.

(10) **Patent No.:** **US D640,292 S**
(45) **Date of Patent:** **** Jun. 21, 2011**

- (54) **MICRO-TRENCHING BLADE**
- (75) Inventors: **Vernon T. Stellman**, Stillwater, OK (US); **L. Shane Ingram**, Perry, OK (US); **Michael C. Walgren**, Lake Havasu City, AZ (US)
- (73) Assignee: **The Charles Machine Works, Inc.**, Perry, OK (US)
- (**) Term: **14 Years**
- (21) Appl. No.: **29/376,709**
- (22) Filed: **Oct. 11, 2010**
- (51) **LOC (9) Cl.** **15-03**
- (52) **U.S. Cl.** **D15/21; D15/29**
- (58) **Field of Classification Search** D15/21, D15/29; 299/112 T, 112 R, 79.1, 113, 107, 299/39.3; 175/426, 427, 435, 414; 37/452, 37/453, 465, 450, 446, 94; 172/540, 548, 172/555, 567, 568, 120
See application file for complete search history.

D322,791	S	*	12/1991	Wada et al.	D15/17
5,320,451	A	*	6/1994	Garvey et al.	405/181
D395,662	S	*	6/1998	Bruns	D15/29
D412,711	S	*	8/1999	Bruns	D15/29
D421,026	S	*	2/2000	Bruns et al.	D15/29
6,135,567	A	*	10/2000	Cochran	299/39.6
6,364,420	B1	*	4/2002	Sollami	299/106
D463,804	S	*	10/2002	Porter et al.	D15/11
6,457,267	B1	*	10/2002	Porter et al.	37/142.5
6,478,383	B1	*	11/2002	Ojanen et al.	299/104
6,546,977	B1	*	4/2003	Monyak et al.	144/235
6,547,337	B2	*	4/2003	Welch, Jr.	299/39.3
6,854,810	B2	*	2/2005	Montgomery, Jr.	299/106
D518,831	S	*	4/2006	Bowsher	D15/29
D524,827	S	*	7/2006	Byrne	D15/29
2002/0195869	A1	*	12/2002	Dybsetter	299/39.3
2007/0089329	A1	*	4/2007	Sigmund	37/370
2009/0007460	A1	*	1/2009	Greenlee et al.	37/94
2009/0263195	A1	*	10/2009	Horan et al.	405/180
2009/0302668	A1	*	12/2009	Stratti	299/101
2011/0016754	A1	*	1/2011	Ruhl et al.	37/94

* cited by examiner

Primary Examiner — Mark Goodwin

(74) *Attorney, Agent, or Firm* — Tomlinson Rust McKinstry Grable

(56) **References Cited**

U.S. PATENT DOCUMENTS

D130,494	S	*	11/1941	Schmeiser	D15/29
D137,446	S	*	3/1944	Schmeiser	D15/29
D138,712	S	*	9/1944	Karl	D15/29
2,934,841	A	*	5/1960	Tibbits, Jr.	37/94
3,297,096	A	*	1/1967	Wooldridge	172/464
3,364,602	A	*	1/1968	Renzaglia	37/94
3,419,976	A	*	1/1969	Reising	37/94
3,519,309	A	*	7/1970	Engle et al.	299/107
3,663,063	A	*	5/1972	Johnmeyer, Sr.	299/107
3,841,707	A	*	10/1974	Kniff et al.	299/84.1
4,216,832	A	*	8/1980	Stephenson et al.	172/540
4,360,068	A	*	11/1982	Stephenson et al.	172/540
4,469,185	A	*	9/1984	Fox et al.	172/540
4,595,241	A	*	6/1986	Gilbert et al.	299/108
4,709,736	A	*	12/1987	Bellars	144/24.12
4,755,004	A	*	7/1988	Palmquist et al.	299/106
4,914,840	A	*	4/1990	Porter	37/142.5
4,939,854	A	*	7/1990	Boren	37/94
4,958,457	A	*	9/1990	Doskocil	37/94

(57) **CLAIM**

The ornamental design for a micro-trenching blade, as shown and described.

DESCRIPTION

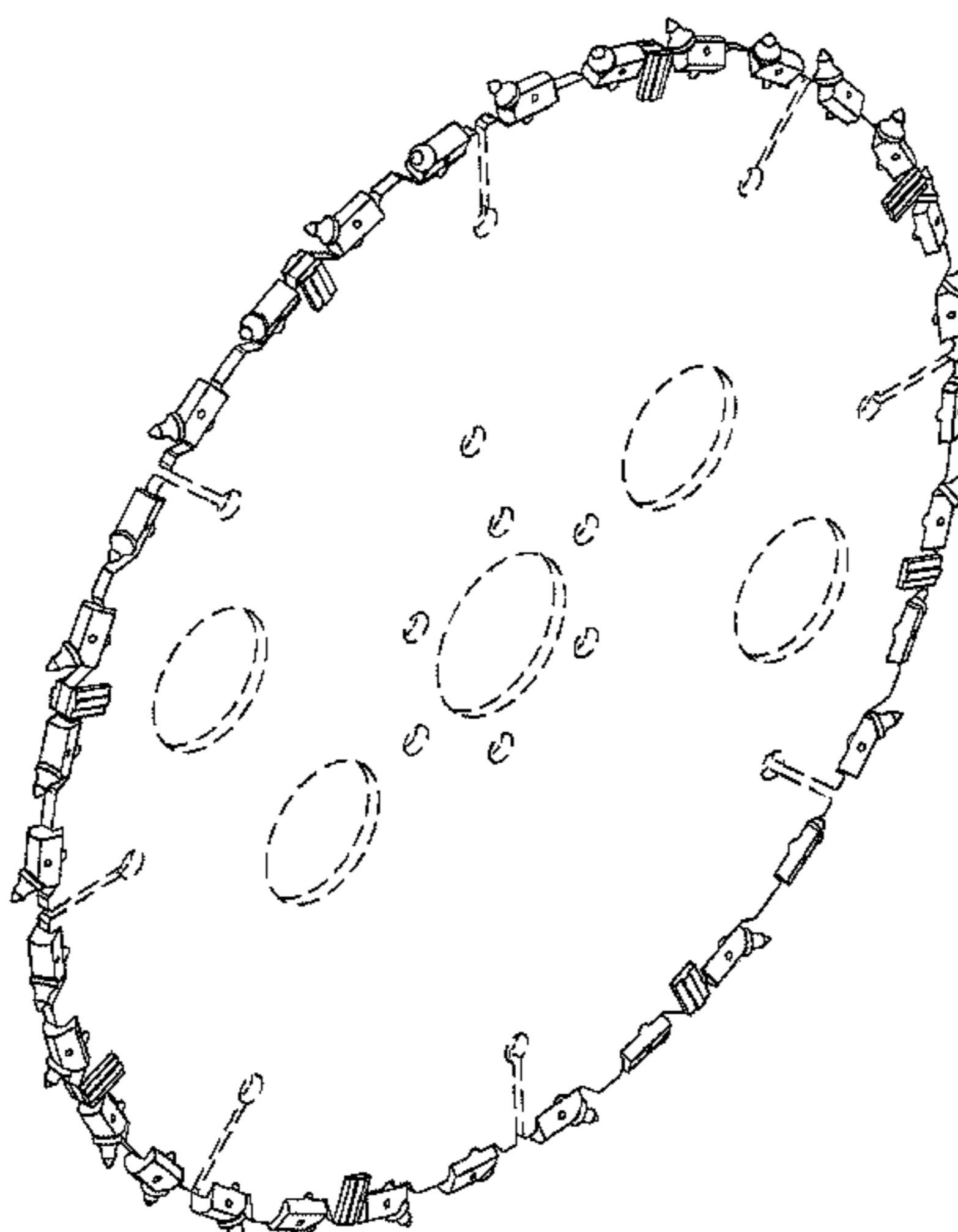
FIG. 1 is a perspective view of a micro-trenching blade showing our new design;

FIG. 2 is an enlarged top plan view thereof showing the position of a group of cutting elements, the wavy broken lines shown representing the cutaway edges of the enlarged section forming no part of the claimed design; and,

FIG. 3 is an enlarged side view thereof showing the position of a group of cutting elements.

The broken line showing of multiple circular elements and the eight areas around the perimeter of the claim is included for the purpose of illustrating portions of the micro-trenching blade and forms no part of the claimed design.

1 Claim, 3 Drawing Sheets



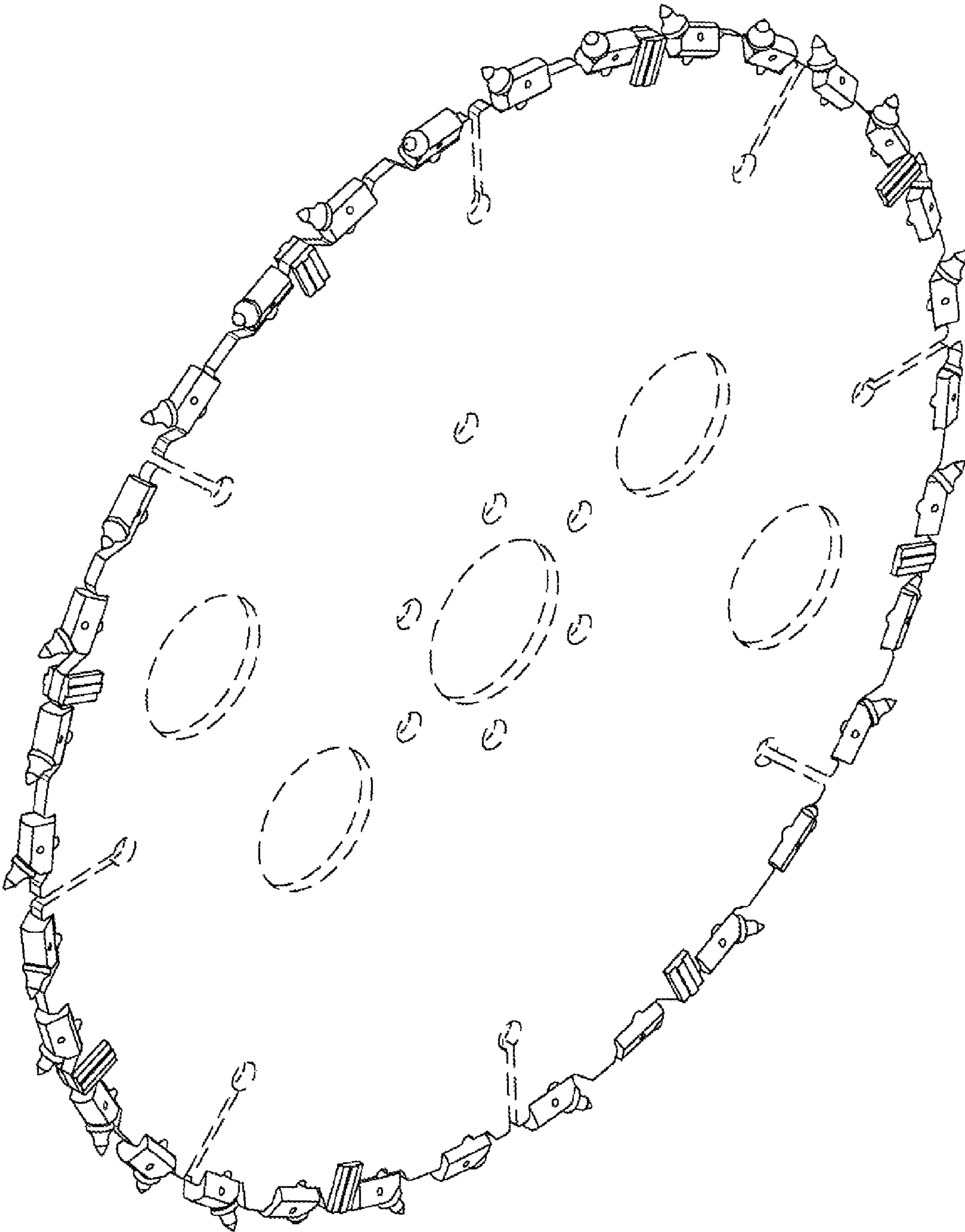


FIG. 1

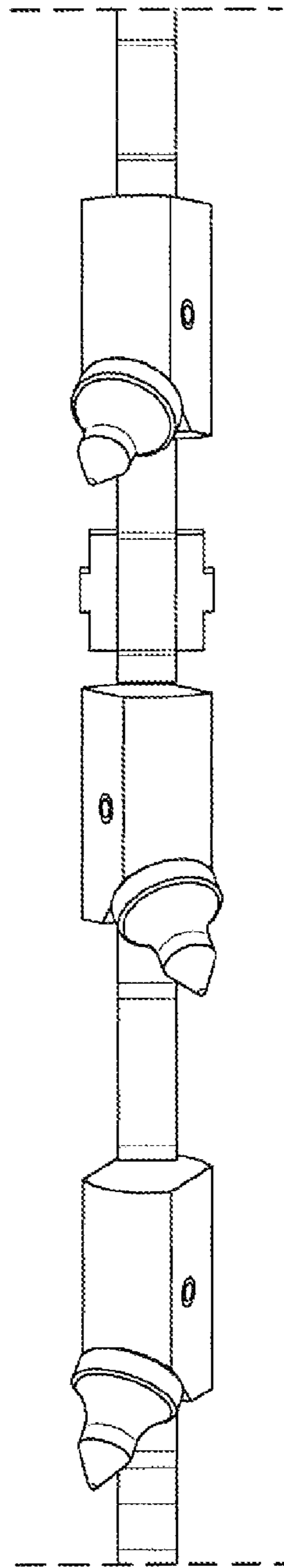


FIG. 2

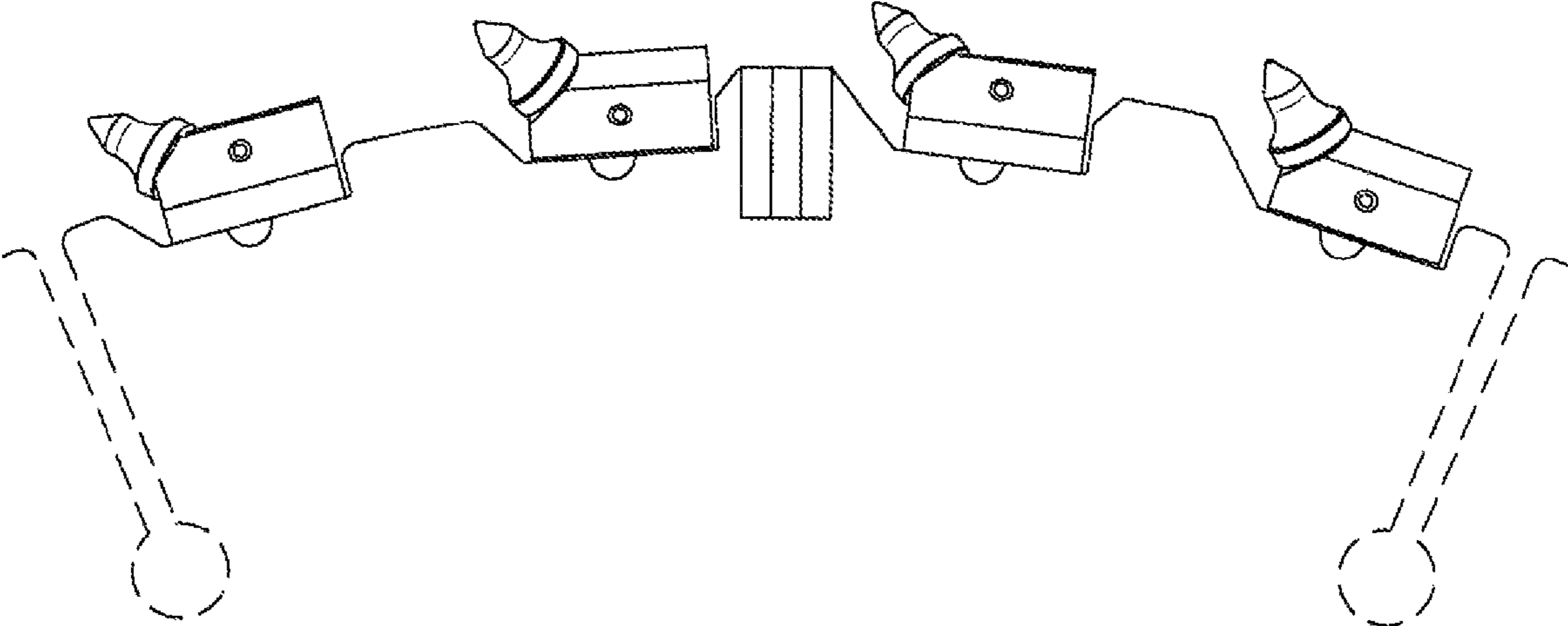


FIG. 3