



US00D640291S

(12) **United States Design Patent**  
**Stellman et al.**

(10) **Patent No.:** **US D640,291 S**

(45) **Date of Patent:** **\*\* Jun. 21, 2011**

- (54) **CONICAL CUTTING ELEMENT**
- (75) Inventors: **Vernon T. Stellman**, Stillwater, OK (US); **L. Shane Ingram**, Perry, OK (US); **Michael C. Walgren**, Lake Havasu City, AZ (US)
- (73) Assignee: **The Charles Machine Works, Inc.**, Perry, OK (US)
- (\*\*) Term: **14 Years**
- (21) Appl. No.: **29/376,708**
- (22) Filed: **Oct. 11, 2010**
- (51) **LOC (9) Cl.** ..... **15-03**
- (52) **U.S. Cl.** ..... **D15/21; D15/29**
- (58) **Field of Classification Search** ..... D15/21, D15/29; 299/112 T, 112 R, 79.1, 113, 107, 299/39.3; 175/426, 427, 435, 414; 37/452, 37/453, 465, 450, 446, 94; 172/540, 548, 172/555, 567, 568, 120  
See application file for complete search history.

RE38,151 E *	6/2003	Penkunas et al.	299/111
6,685,273 B1 *	2/2004	Sollami	299/106
6,692,083 B2 *	2/2004	Latham	299/104
6,709,065 B2 *	3/2004	Peay et al.	299/104
6,739,327 B2 *	5/2004	Sollami	125/36
7,172,256 B2 *	2/2007	Sleep et al.	299/105
7,204,560 B2 *	4/2007	Mercier et al.	299/105
D566,137 S *	4/2008	Hall et al.	D15/21
2002/0092210 A1 *	7/2002	Sollami	37/452
2003/0209366 A1 *	11/2003	McAlvain	175/427
2004/0026132 A1 *	2/2004	Hall et al.	175/427
2004/0026983 A1 *	2/2004	McAlvain	299/111
2004/0065484 A1 *	4/2004	McAlvain	175/434

\* cited by examiner

*Primary Examiner* — Mark Goodwin  
(74) *Attorney, Agent, or Firm* — Tomlinson Rust McKinstry Grable

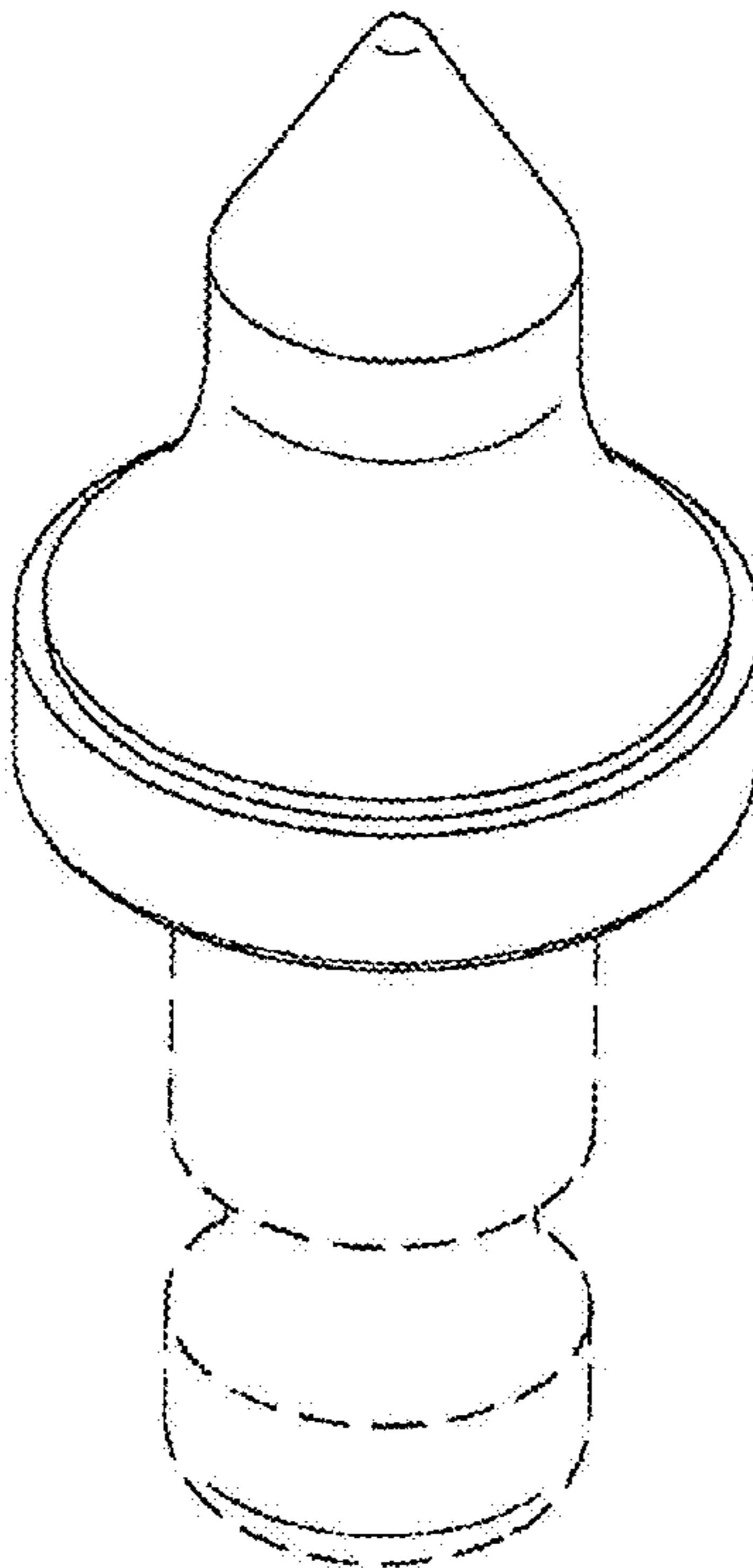
(57) **CLAIM**  
The ornamental design for a conical cutting element, as shown and described.

**DESCRIPTION**

FIG. 1 is a perspective view of the conical cutting element showing our new design; and, FIG. 2 is a side view of the conical cutting element of FIG. 1. The broken line showing of a lower portion of a cutting element is included for the purpose of illustrating environmental structure and forms no part of the claimed design.

**1 Claim, 2 Drawing Sheets**

- (56) **References Cited**
- U.S. PATENT DOCUMENTS
- 5,823,632 A \* 10/1998 Burkett ..... 299/104
- 6,270,165 B1 \* 8/2001 Peay ..... 299/111
- 6,375,272 B1 \* 4/2002 Ojanen ..... 299/111



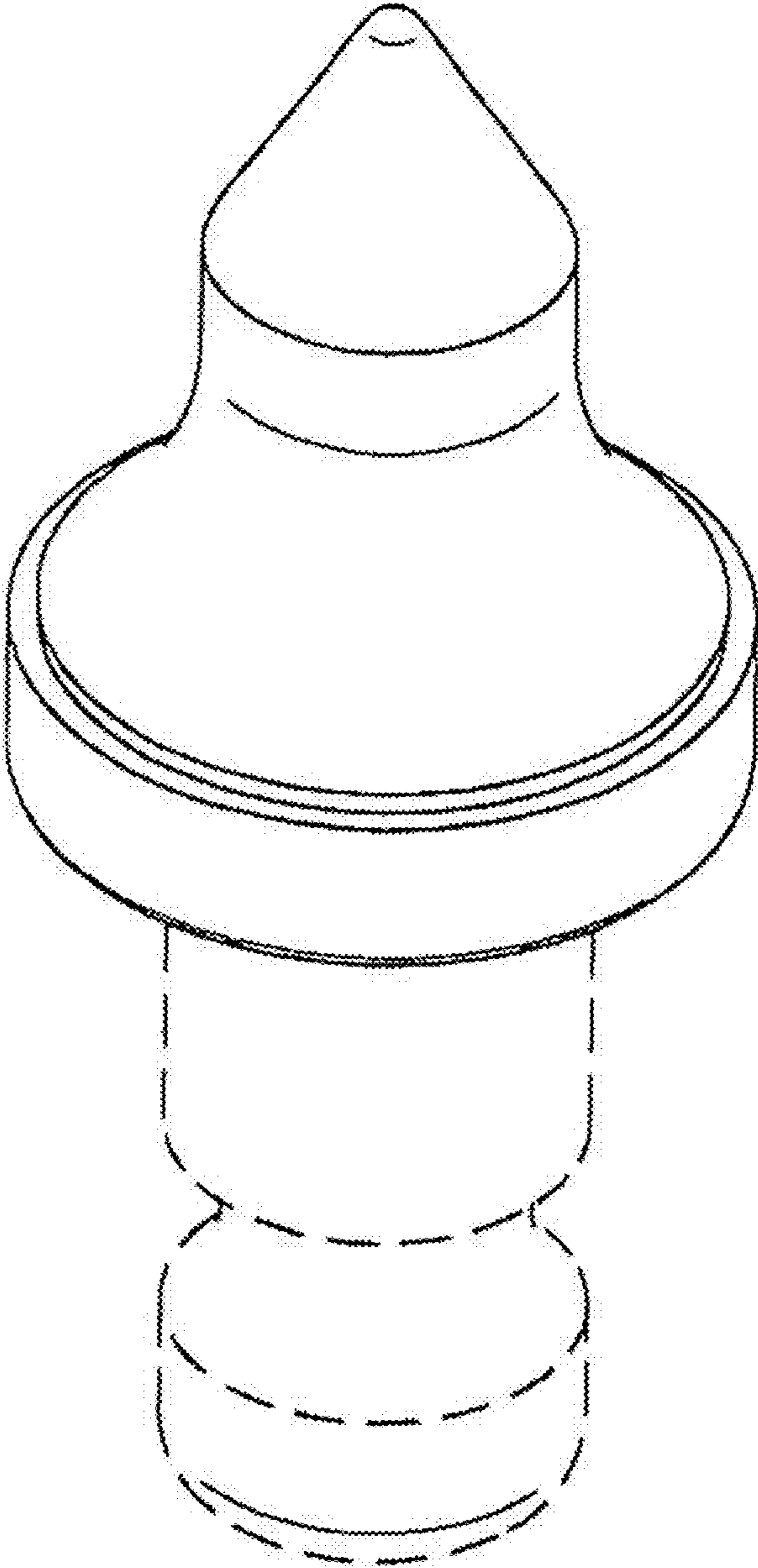


FIG. 1

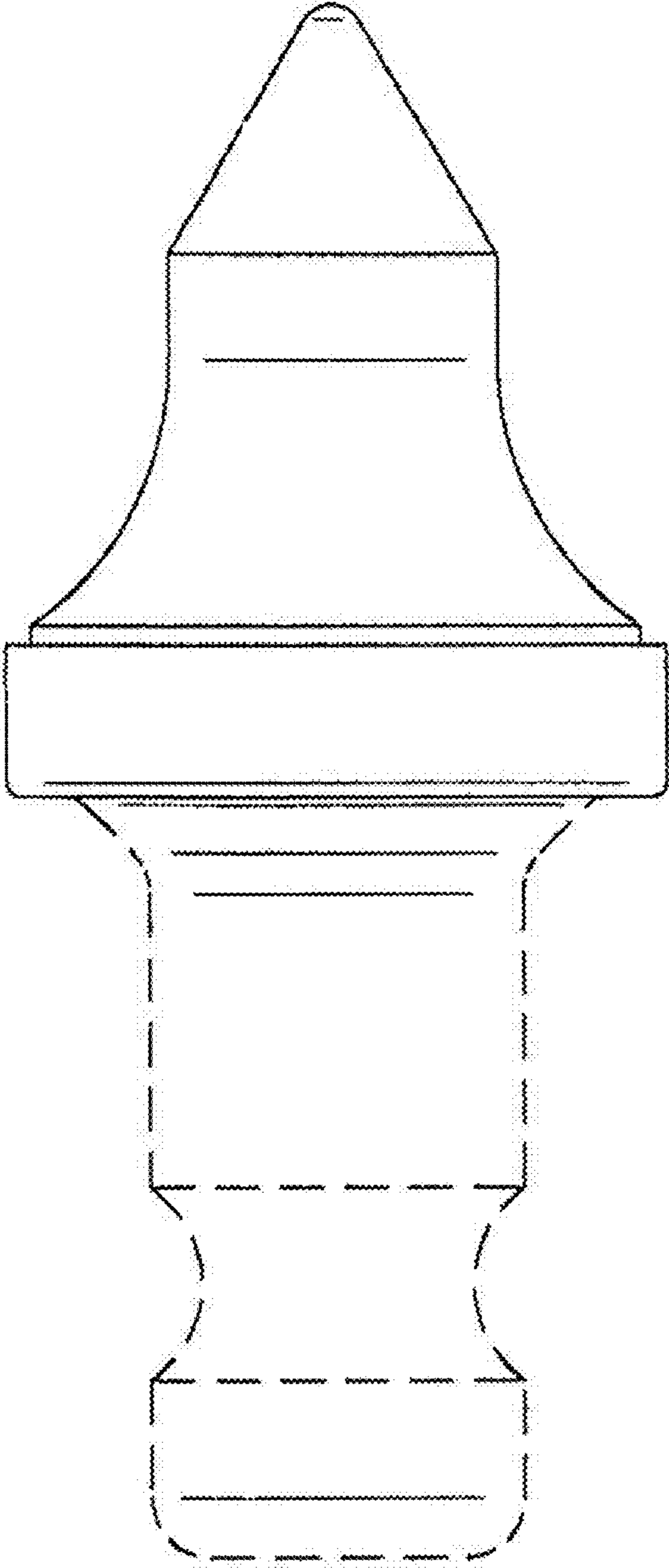


FIG. 2