



US00D640288S

(12) **United States Design Patent**  
**Shimbashi**

(10) **Patent No.:** **US D640,288 S**  
(45) **Date of Patent:** **\*\* Jun. 21, 2011**

(54) **BLADE FOR A MOWER**

(75) Inventor: **Tetsuya Shimbashi**, Matsumoto (JP)

(73) Assignee: **IHI Shibaura Machinery Corporation**,  
Nagano (JP)

(\*\*) Term: **14 Years**

(21) Appl. No.: **29/366,857**

(22) Filed: **Jul. 30, 2010**

(51) **LOC (9) Cl.** ..... **15-03**

(52) **U.S. Cl.** ..... **D15/17; D15/29**

(58) **Field of Classification Search** ..... D15/14,  
D15/17, 28, 10, 11, 32, 29; 56/255, 295,  
56/17.5, 289, 13.4, DIG. 17, DIG. 20; 30/276,  
30/347, DIG. 5

See application file for complete search history.

(56) **References Cited**

**U.S. PATENT DOCUMENTS**

2,590,065	A *	3/1952	Mott	56/289
2,654,986	A *	10/1953	Gold	56/295
2,983,057	A *	5/1961	Erickson	37/243
3,320,732	A *	5/1967	Kirk	56/295
3,320,733	A *	5/1967	Kirk	56/295
3,755,999	A *	9/1973	Meyer et al.	56/295
4,062,171	A *	12/1977	Rose	56/295
D248,474	S *	7/1978	Oosterling et al.	D15/29
4,114,354	A *	9/1978	Morris	56/295
4,213,289	A *	7/1980	Kamppinen	56/295
D347,150	S *	5/1994	Falconbridge	D8/8
5,343,681	A *	9/1994	de Jong	56/255
5,438,819	A *	8/1995	Dallman	56/295
5,561,972	A *	10/1996	Rolfe	56/295
5,617,636	A *	4/1997	Taggett et al.	30/276
5,622,035	A *	4/1997	Kondo et al.	56/12.7
5,640,836	A *	6/1997	Lingerfelt	56/255
D390,851	S *	2/1998	Lee	D15/29
5,722,172	A *	3/1998	Walden	30/347
D397,007	S *	8/1998	Schultz et al.	D8/20
D406,501	S *	3/1999	Schultz et al.	D8/20
D406,502	S *	3/1999	Schultz et al.	D8/20

D406,503	S *	3/1999	Schultz et al.	D8/20
D411,546	S *	6/1999	Chapman	D15/11
D415,773	S *	10/1999	Chapman	D15/11
6,055,798	A *	5/2000	Fulmer et al.	56/12.7
6,112,416	A *	9/2000	Bridges et al.	30/276
D439,118	S *	3/2001	Tomita	D8/8
D439,813	S *	4/2001	Tomita	D8/8
D449,054	S *	10/2001	Neuerburg	D15/17
6,393,811	B2 *	5/2002	Neuerburg	56/6
D462,702	S *	9/2002	Neuerburg	D15/28
6,829,878	B1 *	12/2004	Hoffman	56/295
6,953,398	B1 *	10/2005	Turner	460/112
7,490,459	B2 *	2/2009	Thompson et al.	56/255
7,506,494	B2 *	3/2009	Eavenson et al.	56/17.5
D627,797	S *	11/2010	Neuerburg	D15/17
2001/0004826	A1 *	6/2001	Neuerburg	56/255
2002/0066263	A1 *	6/2002	Megli	56/295
2002/0194829	A1 *	12/2002	Petersen et al.	56/255

(Continued)

*Primary Examiner* — Mark A Goodwin

(74) *Attorney, Agent, or Firm* — Sterne Kessler Goldstein & Fox P.L.L.C.

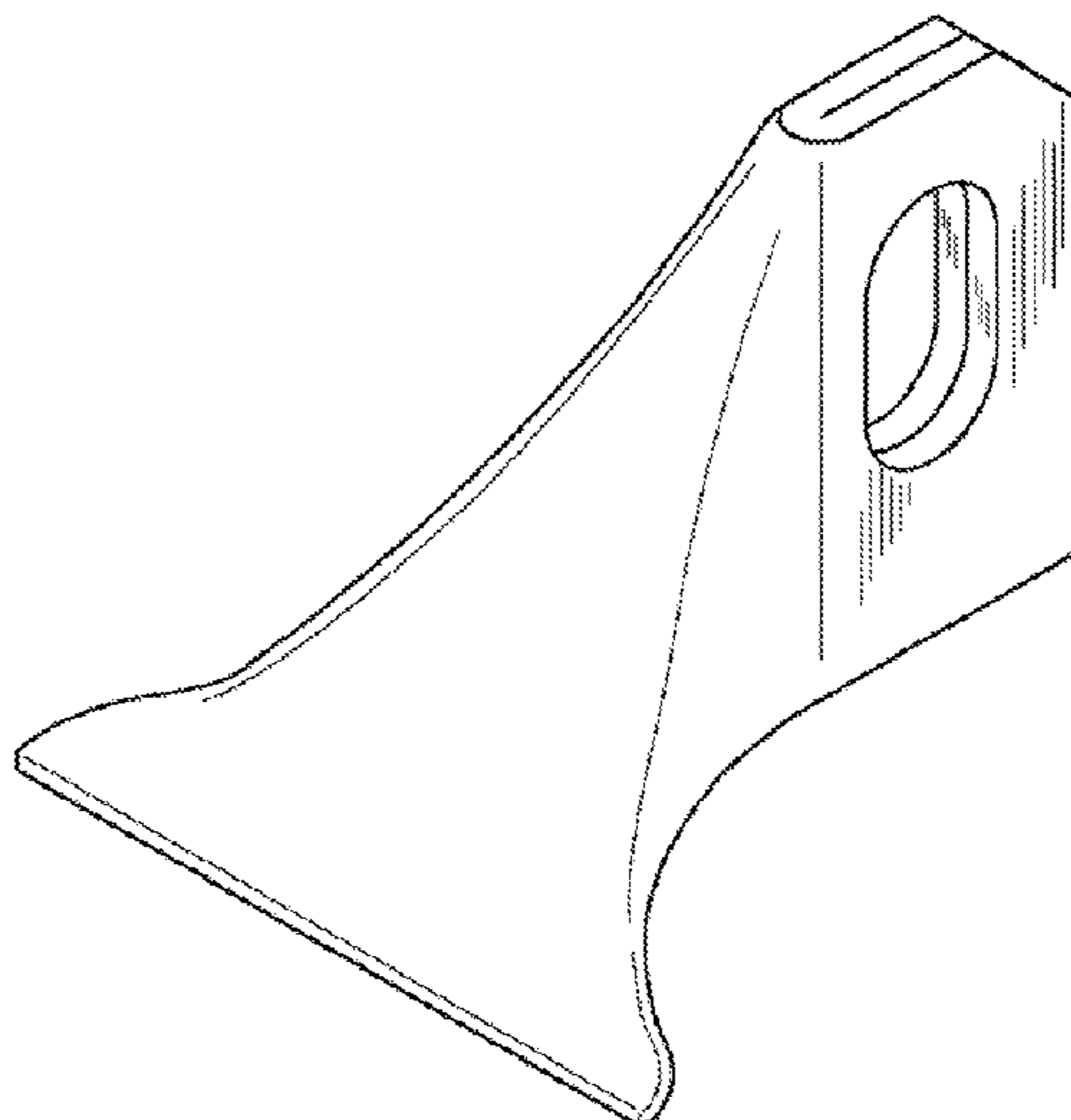
(57) **CLAIM**

The ornamental design for a blade for a mower, as shown and described.

**DESCRIPTION**

FIG. 1 is a front left perspective view of a blade for a mower showing my new design;  
FIG. 2 is a front elevation view thereof;  
FIG. 3 is a rear elevation view thereof;  
FIG. 4 is a left side elevation view thereof;  
FIG. 5 is a right side elevation view thereof;  
FIG. 6 is a top plan view thereof;  
FIG. 7 is a bottom plan view thereof; and,  
FIG. 8 is a left side view thereof, the broken line showing of a plurality of blades for a mower shown in use condition form no part of the claimed design.  
The broken lines depict environmental subject matter only and form no part of the claimed design.

**1 Claim, 8 Drawing Sheets**



# US D640,288 S

Page 2

---

U.S. PATENT DOCUMENTS			
2004/0148785	A1 *	8/2004	Price, III ..... 30/276
2005/0138913	A1 *	6/2005	Thompson et al. .... 56/295
2005/0193706	A1 *	9/2005	Thompson et al. .... 56/255
2006/0048492	A1 *	3/2006	Harris ..... 56/255
2009/0223193	A1 *	9/2009	Funnell ..... 56/17.5
2010/0000193	A1 *	1/2010	De Benedetto et al. .... 56/295
2010/0043378	A1 *	2/2010	Abernethy ..... 56/295

\* cited by examiner

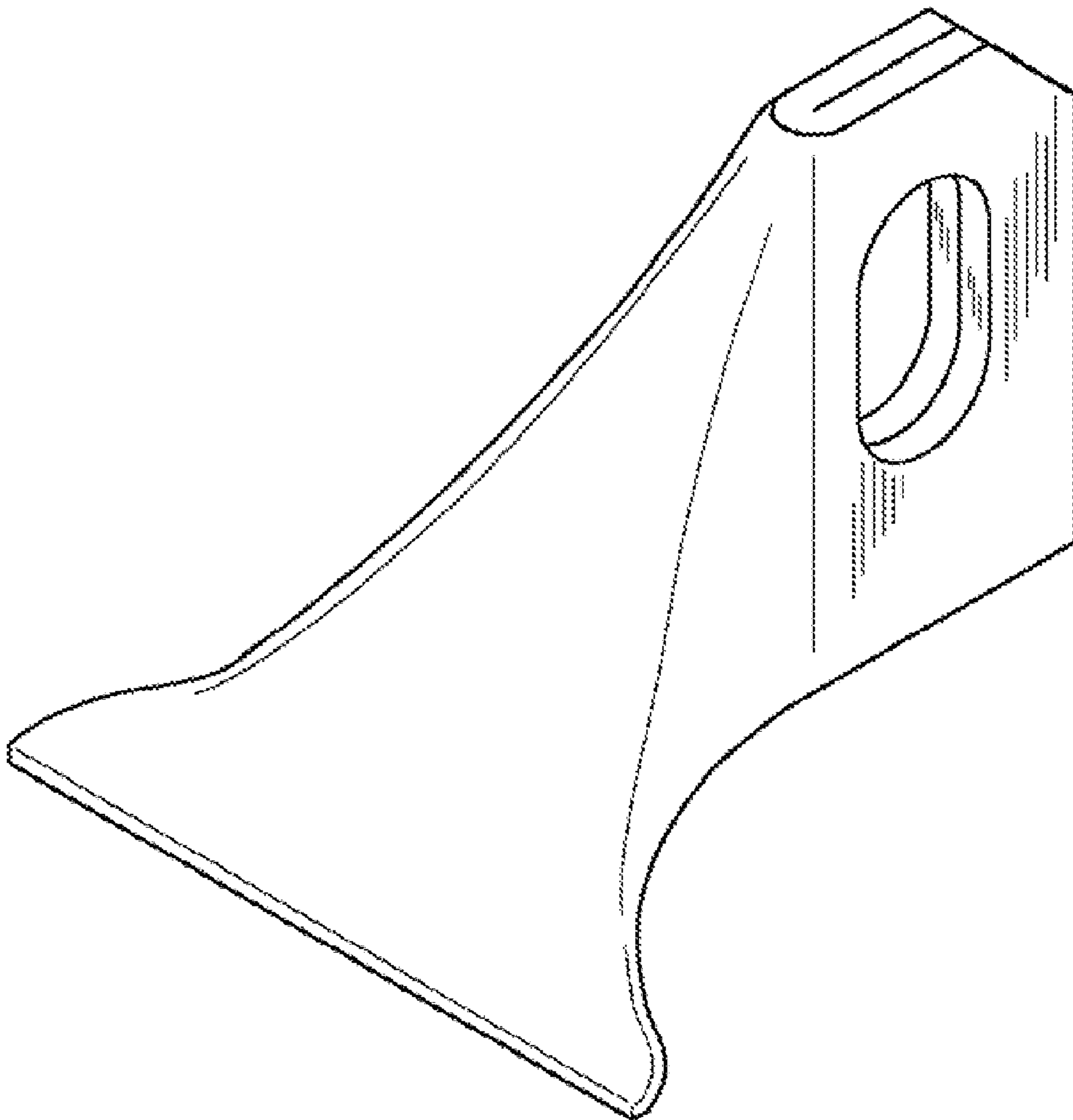


FIG. 1

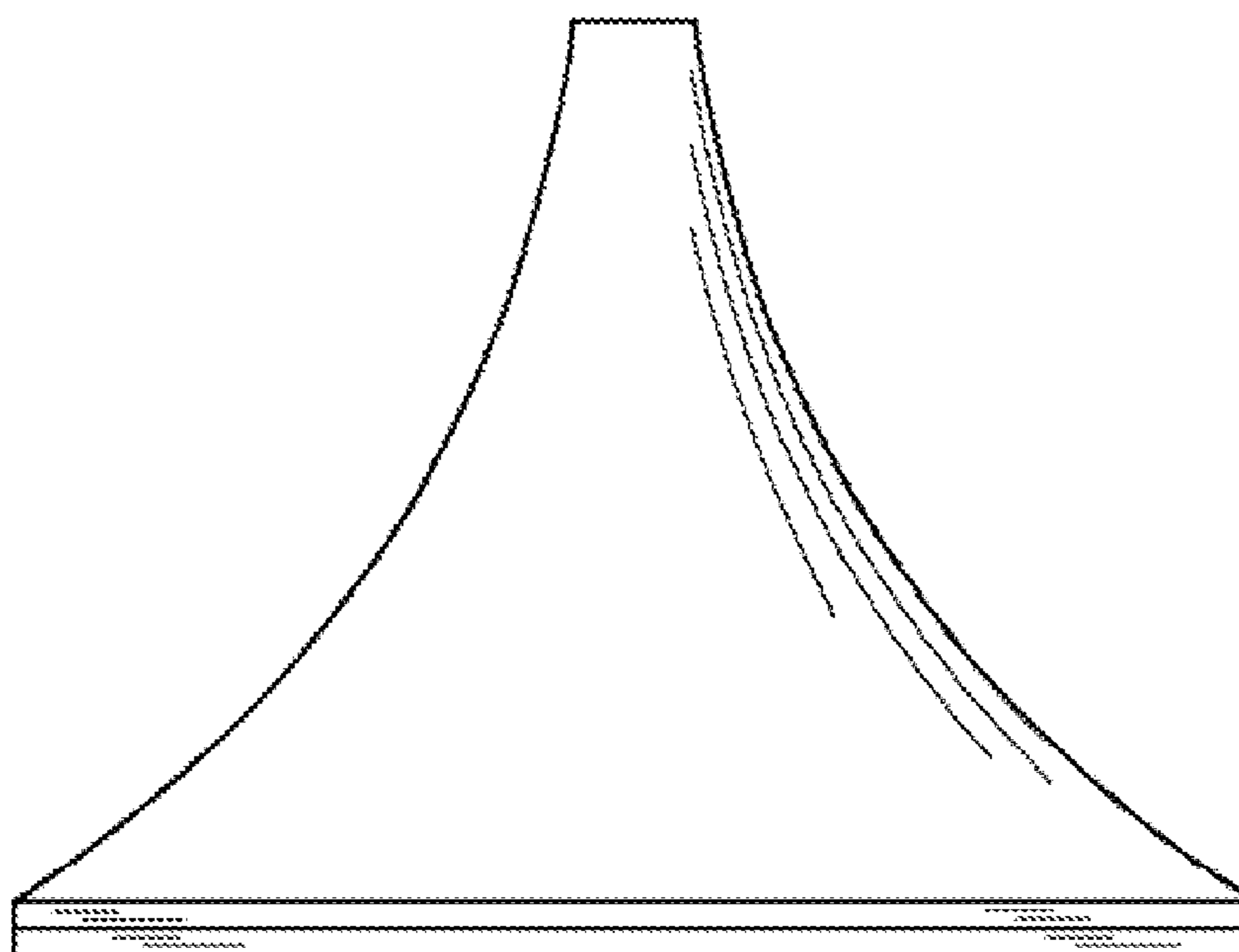


FIG. 2

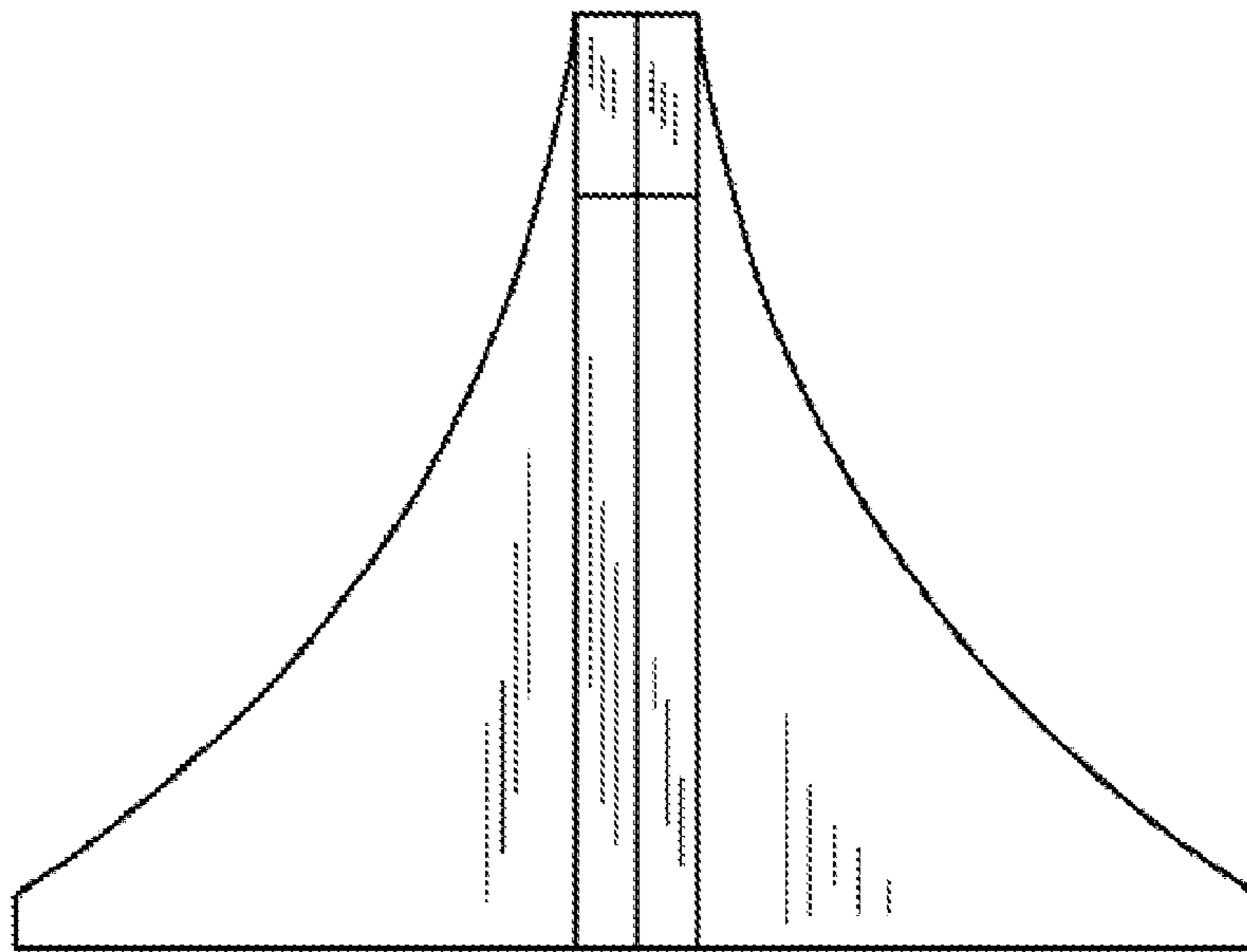


FIG. 3

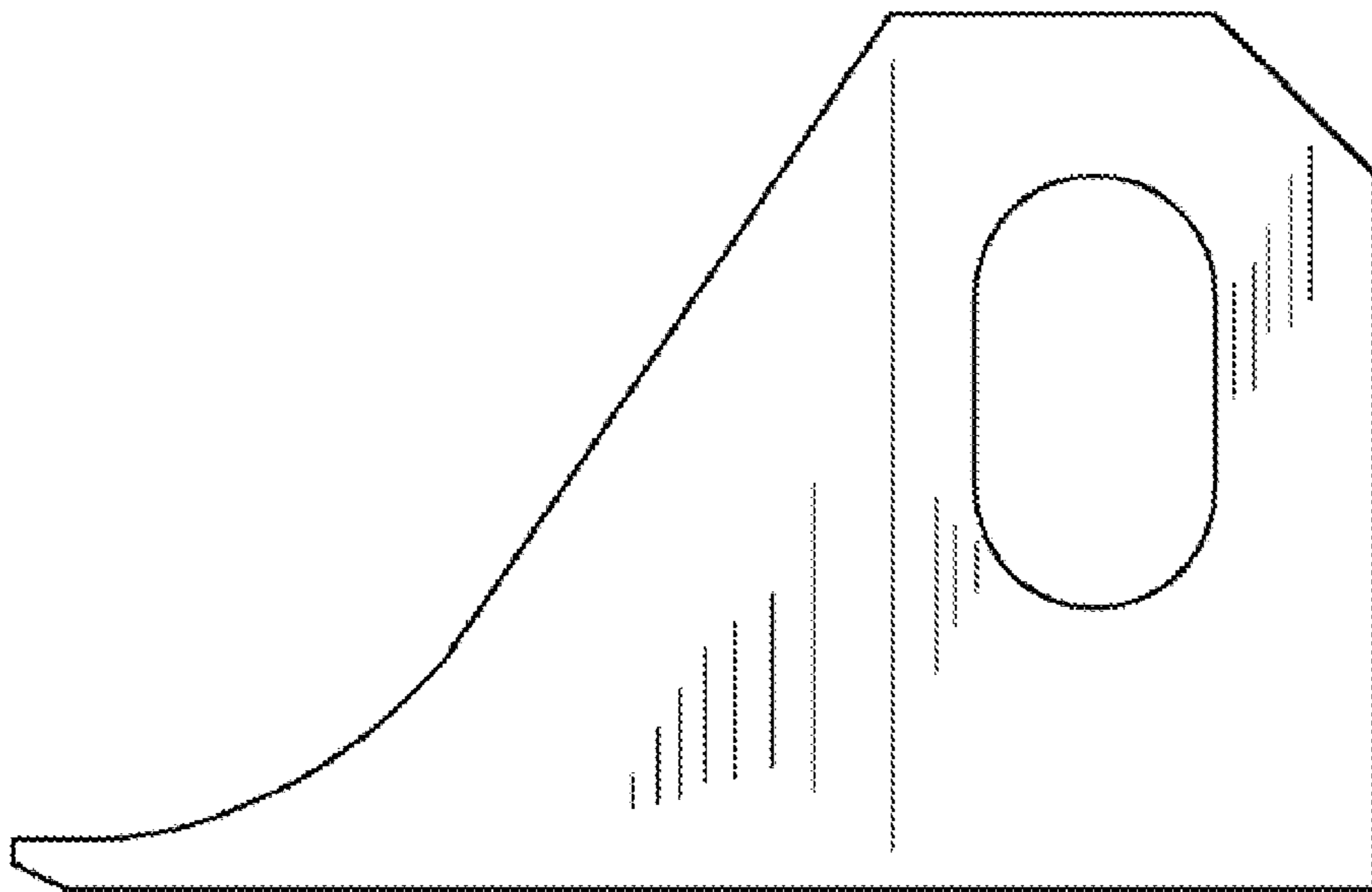


FIG. 4

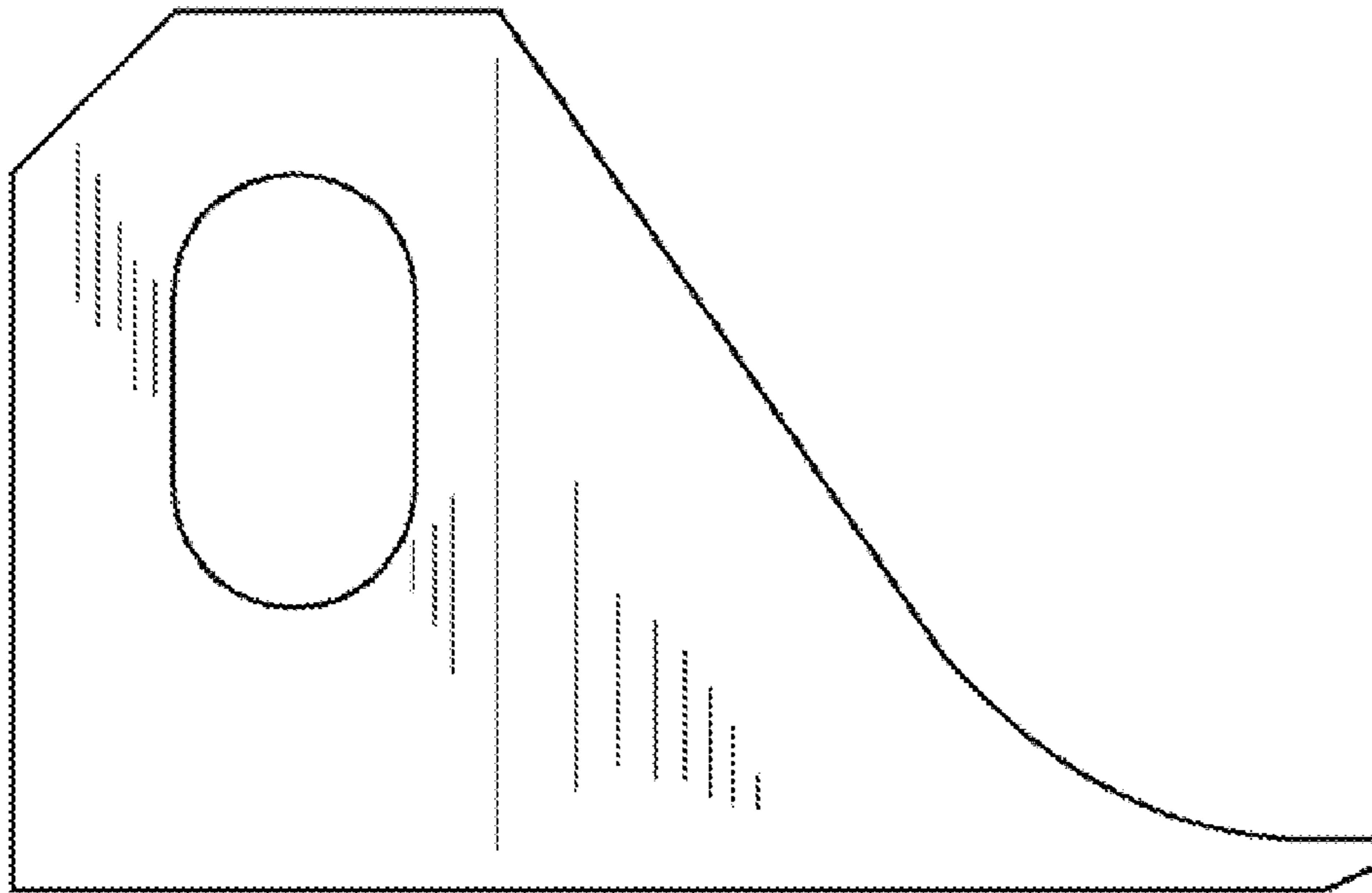


FIG. 5

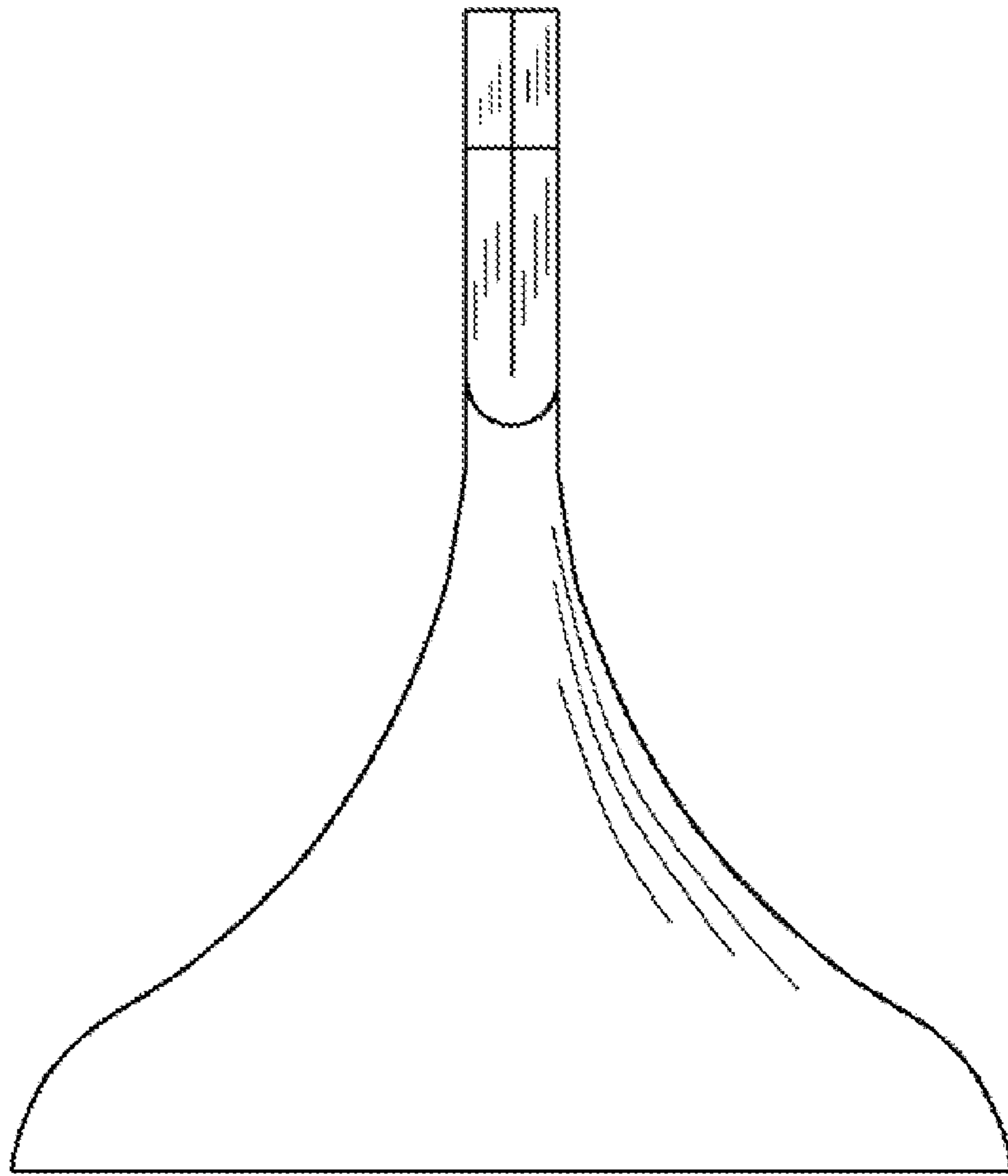


FIG. 6



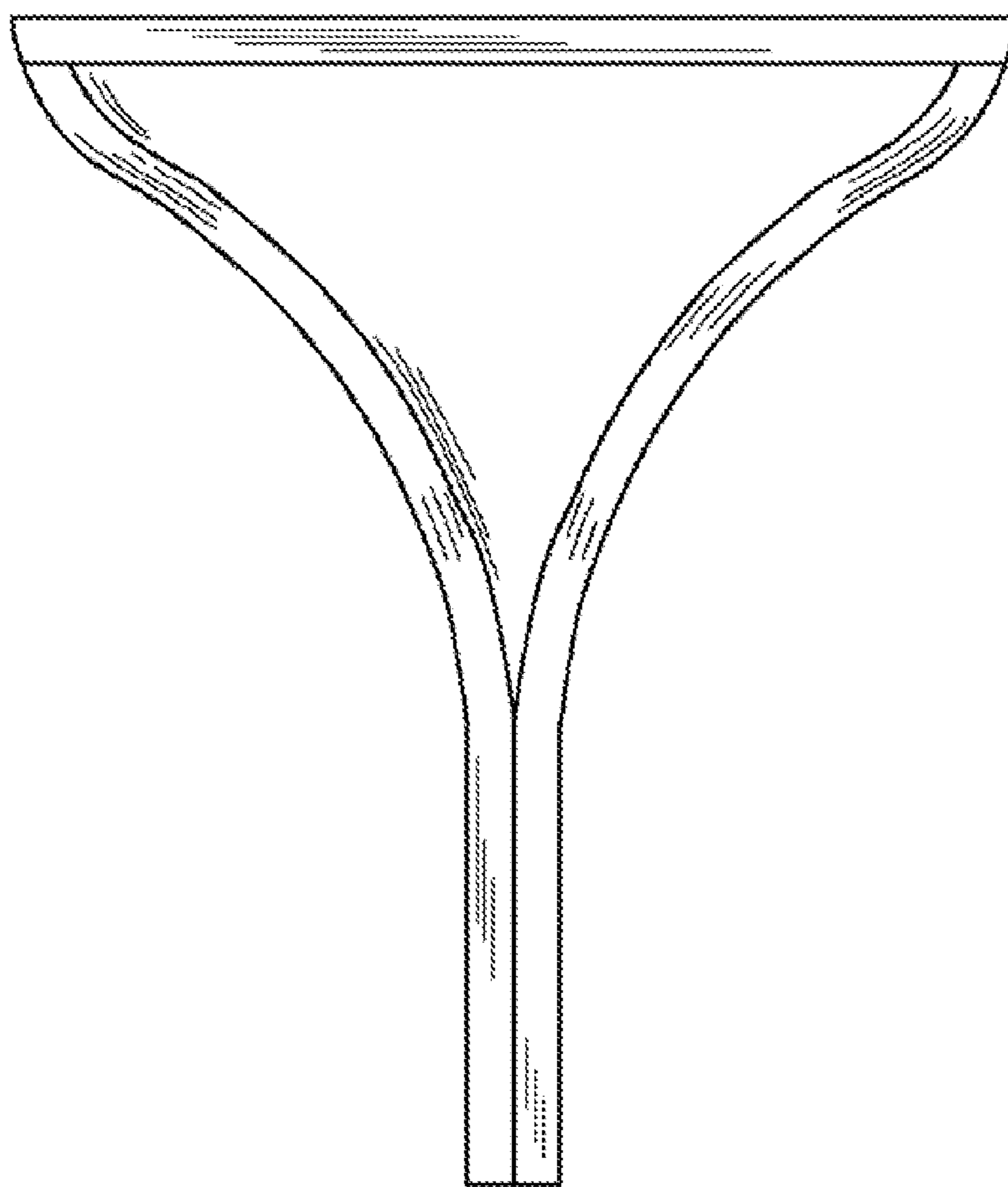


FIG. 7

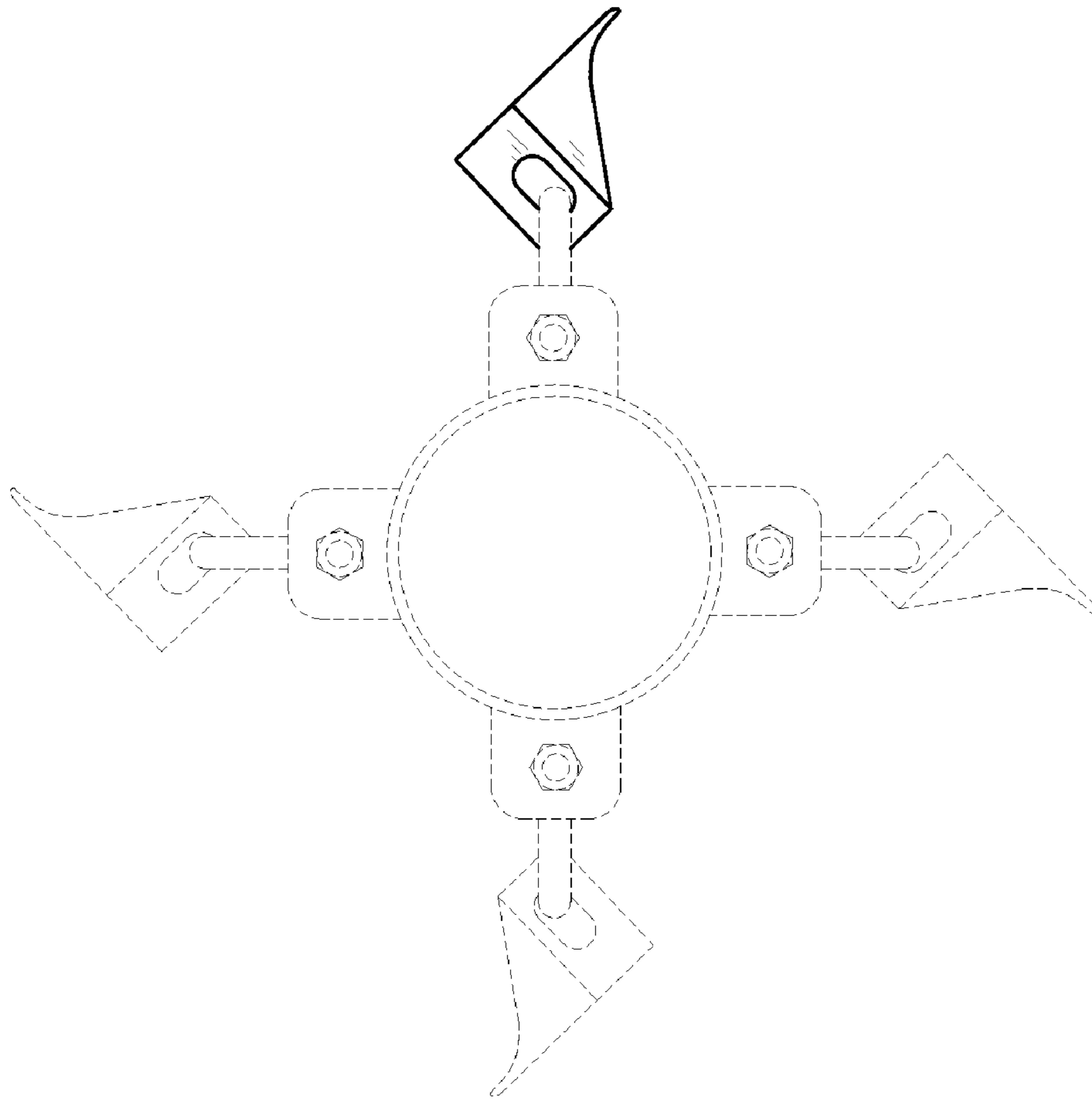


FIG. 8

UNITED STATES PATENT AND TRADEMARK OFFICE  
**CERTIFICATE OF CORRECTION**

PATENT NO. : D640,288 S  
APPLICATION NO. : 29/366857  
DATED : June 21, 2011  
INVENTOR(S) : Tetsuya Shimbashi

Page 1 of 1

It is certified that error appears in the above-identified patent and that said Letters Patent is hereby corrected as shown below:

Title Page, Insert:

Item -- (30) **Foreign Application Priority Data**

March 2, 2010 (JP) ..... 2010-4966 --.

Signed and Sealed this  
Eleventh Day of October, 2011



David J. Kappos  
*Director of the United States Patent and Trademark Office*