

US00D640287S

(12) **United States Design Patent**  
**Dubois et al.**

(10) **Patent No.:** **US D640,287 S**  
(45) **Date of Patent:** **\*\* Jun. 21, 2011**

(54) **PORTABLE LAWN DEBRIS BUCKET**

(76) Inventors: **Ernest M. Dubois**, Dawsonville, GA  
(US); **Diane Dubois**, Coushatta, LA  
(US); **Pat McCurrin**, Coushatta, LA  
(US)

(\*\*) Term: **14 Years**

(21) Appl. No.: **29/384,984**

(22) Filed: **Feb. 7, 2011**

(51) **LOC (9) Cl.** ..... **15-03**

(52) **U.S. Cl.** ..... **D15/10**

(58) **Field of Classification Search** ..... D15/10,  
D15/13, 14; D34/1, 3, 5, 12, 16; 414/446,  
414/457, 421; 280/47.26, 79.5, 654, 659,  
280/43.1; 180/19.1, 19.3; 298/2, 10, 17 R,  
298/17.5, 17.8, 1 C, 17.6; 56/204  
See application file for complete search history.

5,284,218	A	2/1994	Rusher, Jr.	
D367,071	S *	2/1996	McKay	D15/27
5,570,814	A *	11/1996	Havlovitz	222/45
D376,371	S *	12/1996	Swinney, II	D15/14
5,713,583	A *	2/1998	Hansen	280/47.19
D457,532	S *	5/2002	Jong	D15/10
D458,612	S *	6/2002	Scott et al.	D15/14
D458,613	S *	6/2002	Scott et al.	D15/14
D460,973	S *	7/2002	Jong	D15/14
6,820,940	B2	11/2004	Gonzalez	
D500,054	S *	12/2004	Jager	D15/14
6,851,756	B2	2/2005	Pieschel	
7,017,998	B2 *	3/2006	Ducharme	298/2
D555,671	S *	11/2007	Bretzler	D15/13
7,431,313	B1 *	10/2008	Torres et al.	280/47.26
7,438,300	B1 *	10/2008	Zien et al.	280/79.5
7,549,653	B2 *	6/2009	Vanderberg et al.	280/47.26
7,597,392	B1 *	10/2009	Gilmore	297/217.1

(Continued)

*Primary Examiner* — Mark Goodwin

(74) *Attorney, Agent, or Firm* — Montgomery Patent Design; Robert C. Montgomery; Joseph T. Yaksick

(56) **References Cited**

U.S. PATENT DOCUMENTS

2,504,907	A *	4/1950	Truran	414/457
D171,384	S *	2/1954	Butler	D15/14
3,000,671	A *	9/1961	Monegato	298/2
3,389,818	A	6/1968	Rinehart	
3,658,383	A *	4/1972	Sisson	298/2
3,706,189	A *	12/1972	Rutherford	56/13.4
4,106,648	A *	8/1978	Dickson	414/446
4,212,141	A *	7/1980	Miyazawa et al.	56/11.8
4,313,701	A *	2/1982	Brust	410/52
D274,664	S *	7/1984	Hobbs et al.	D34/3
D274,665	S *	7/1984	Hobbs et al.	D34/3
D274,666	S *	7/1984	Hobbs et al.	D34/3
D280,625	S *	9/1985	Verive	D15/13
4,614,350	A *	9/1986	Bunch	280/47.24
4,629,203	A *	12/1986	Ballard	280/47.26
4,632,461	A *	12/1986	Randolph	298/2
4,802,709	A	2/1989	Jones	
4,861,110	A *	8/1989	Rumpke	298/2
5,010,716	A *	4/1991	Fassauer	56/12.1
5,088,751	A *	2/1992	Zint	280/47.34

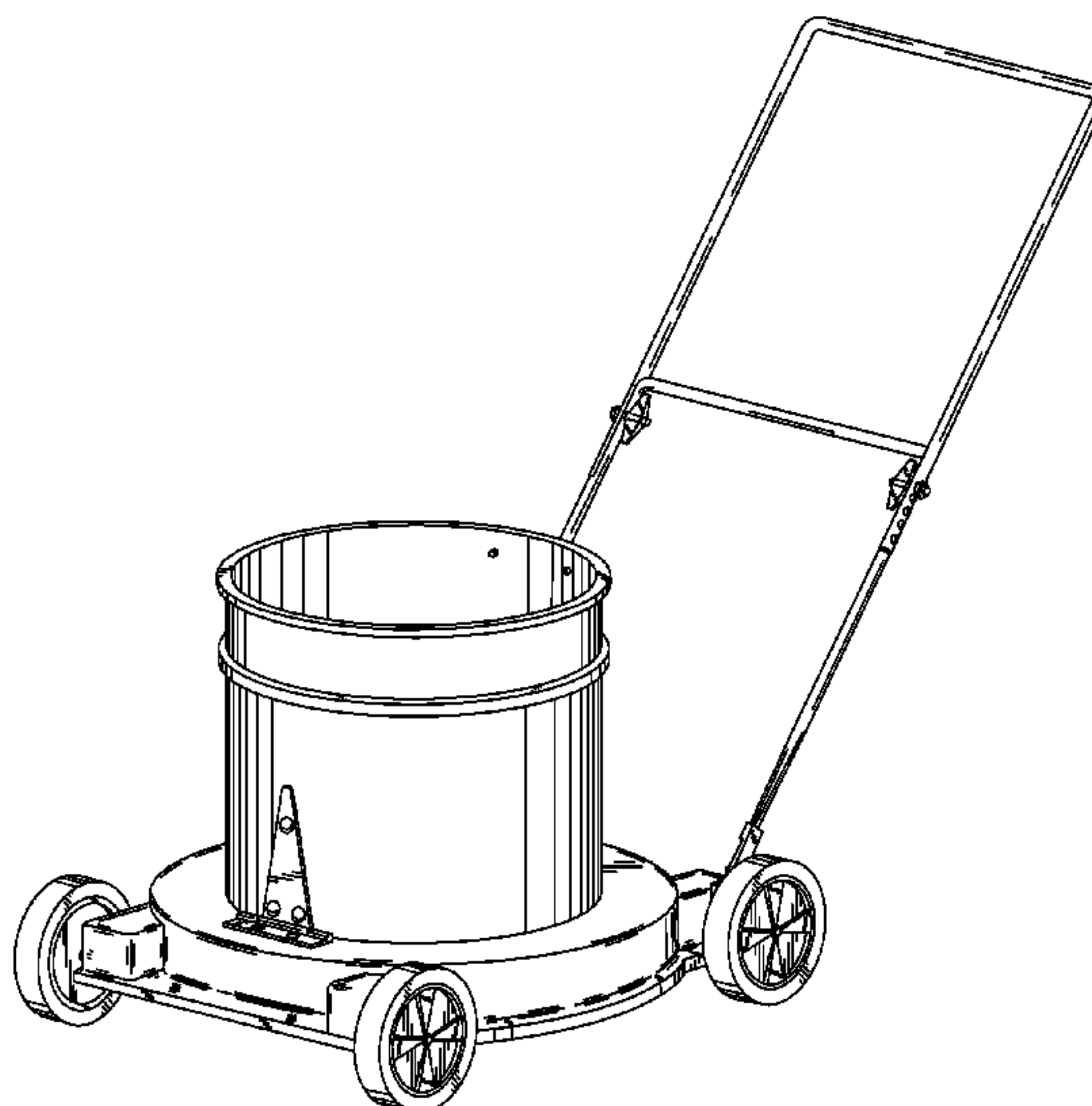
(57) **CLAIM**

The ornamental design for a portable lawn debris bucket, as shown and described.

**DESCRIPTION**

FIG. 1 is a front perspective view of a portable lawn debris bucket, showing our new design; FIG. 2 is a front perspective view of the portable lawn debris bucket depicting a bucket portion pivoted to forward position; FIG. 3 is a front view of the portable lawn debris bucket; FIG. 4 is a rear view thereof; FIG. 5 is a left side view thereof with a right side being a mirror image; FIG. 6 is a top view thereof; FIG. 7 is a bottom view thereof; and, FIG. 8 is a top view of the portable lawn debris bucket depicting a handle portion in a stowed position.

**1 Claim, 8 Drawing Sheets**



# US D640,287 S

Page 2

---

## U.S. PATENT DOCUMENTS

7,641,206	B2 *	1/2010	Knoebel	.....	280/47.34	2005/0016148	A1 *	1/2005	Caroni	.....	56/204
7,661,685	B2 *	2/2010	Thibault	.....	280/47.35	2008/0284138	A1 *	11/2008	Acosta	.....	280/659
2004/0080205	A1 *	4/2004	Ducharme	.....	298/2	2009/0026721	A1 *	1/2009	Martinez	.....	280/79.5
2004/0245734	A1 *	12/2004	Thomas	.....	280/47.26						

\* cited by examiner

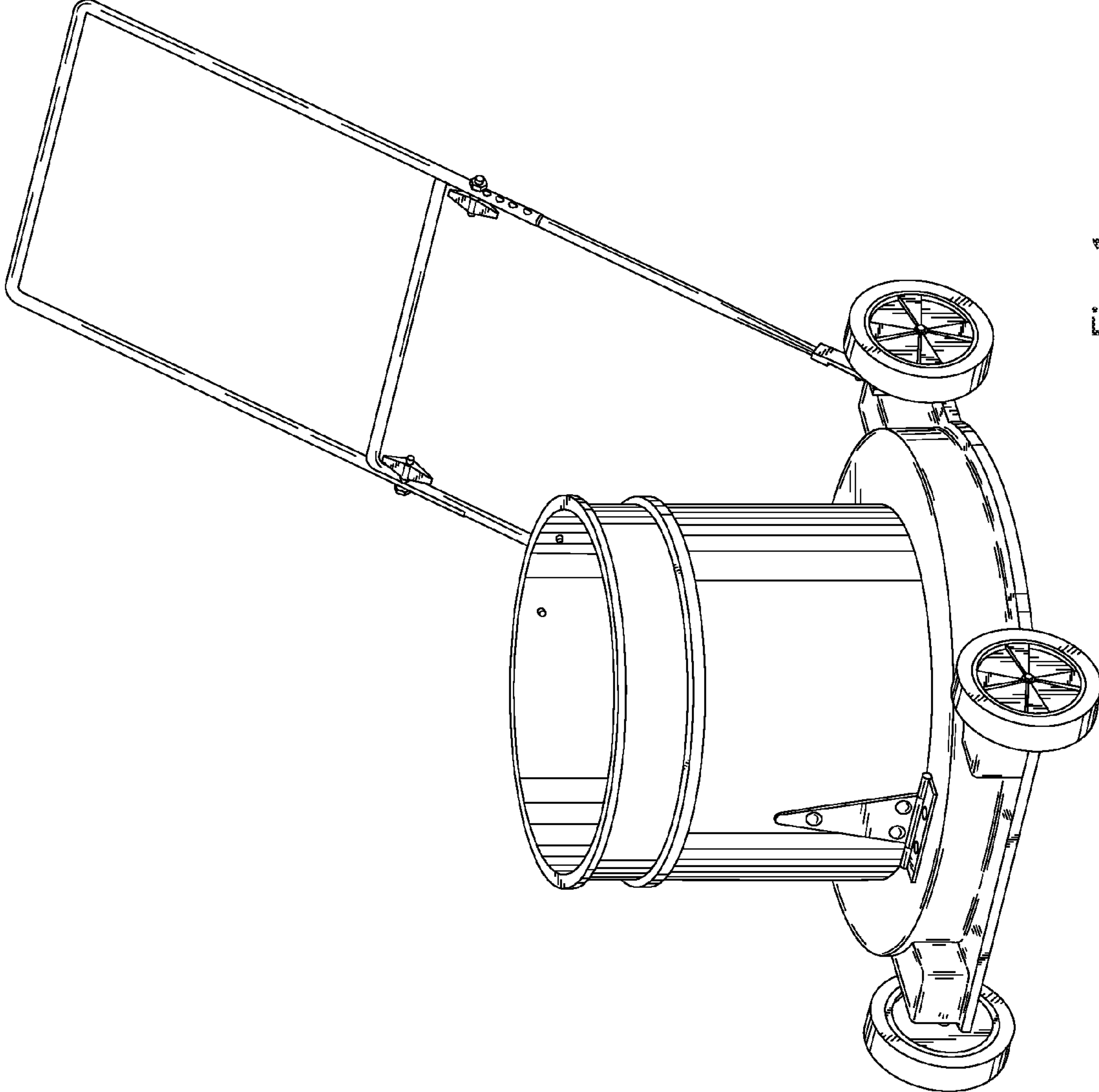


Fig. 1

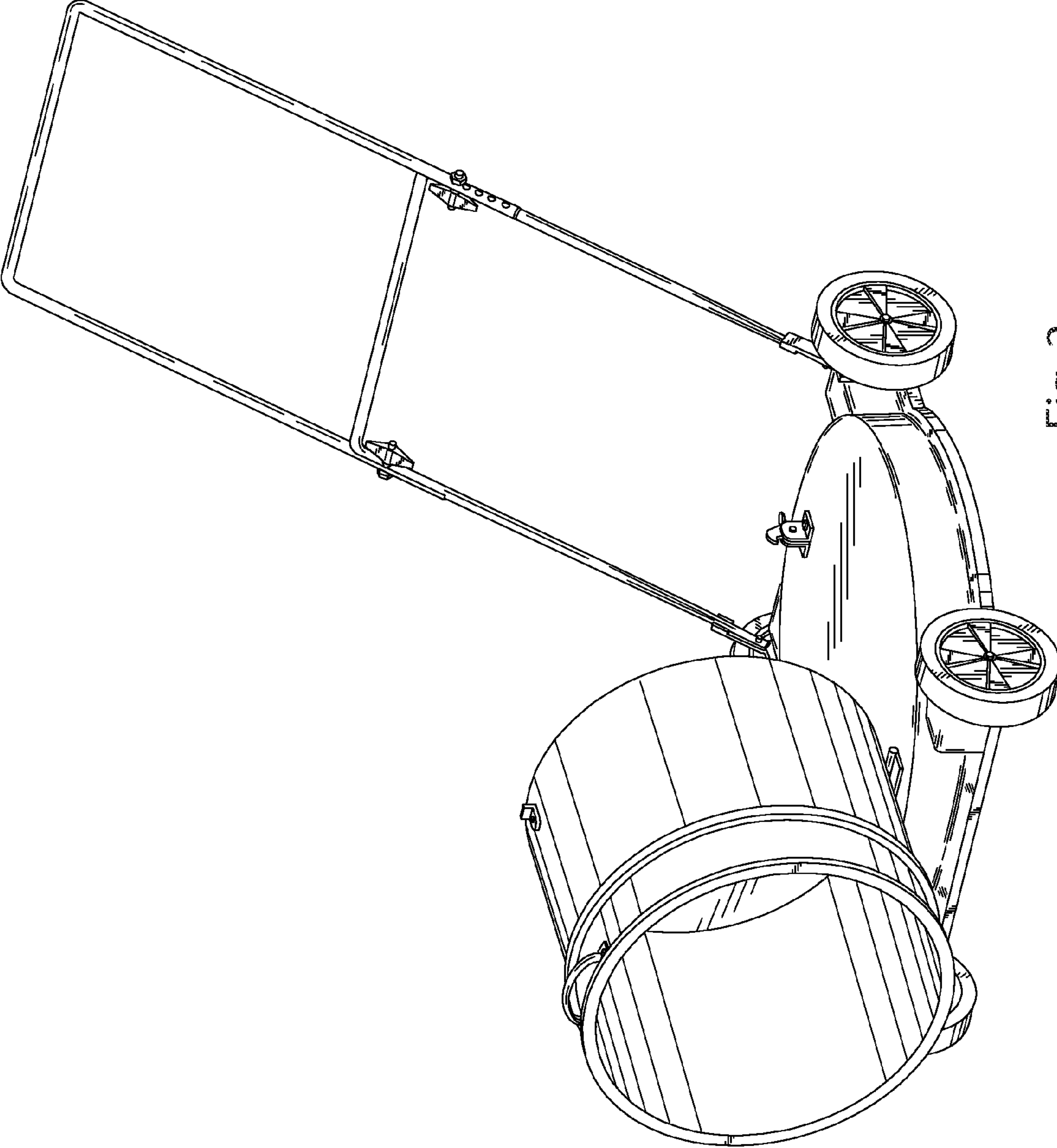


Fig. 2

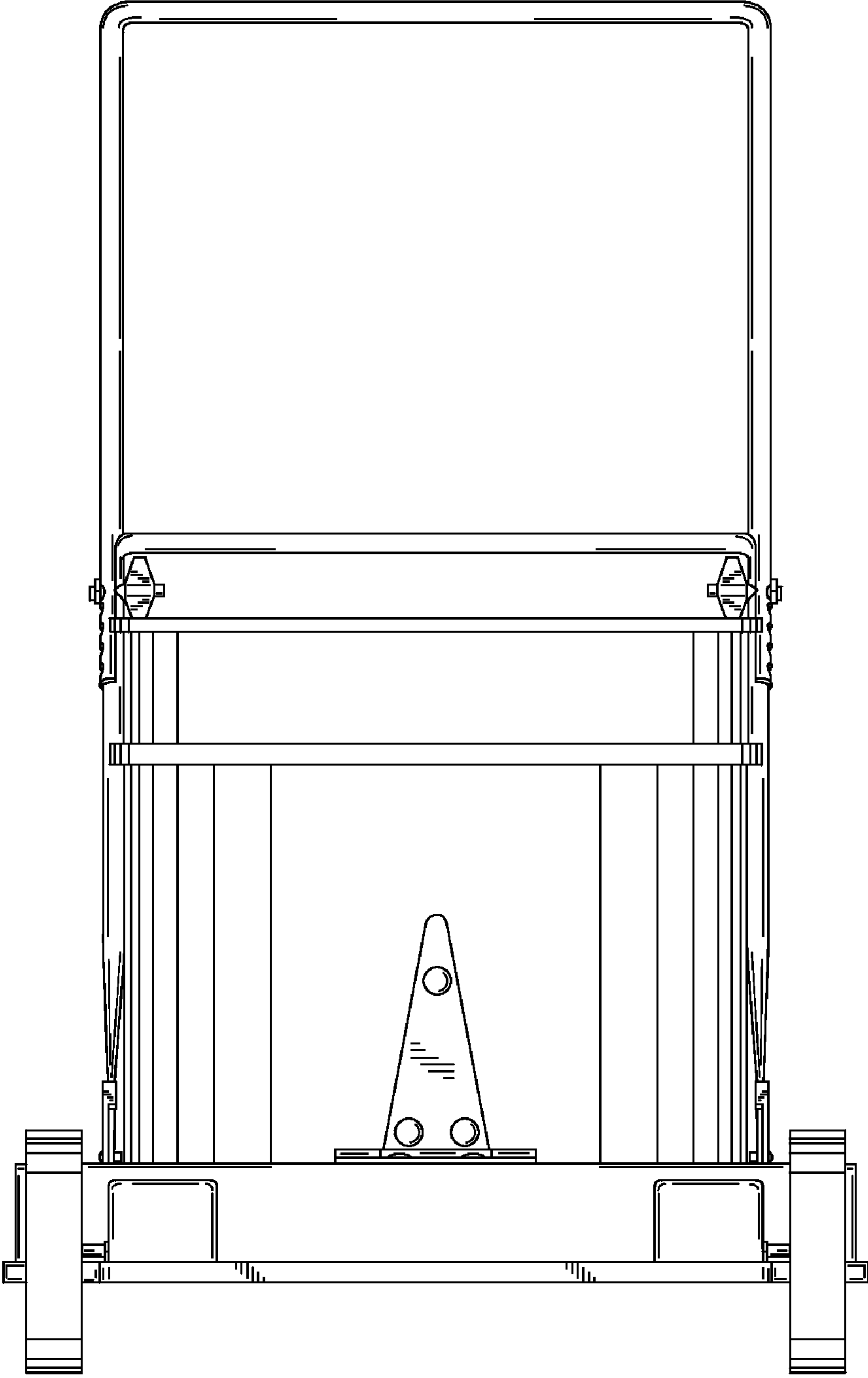


Fig. 3

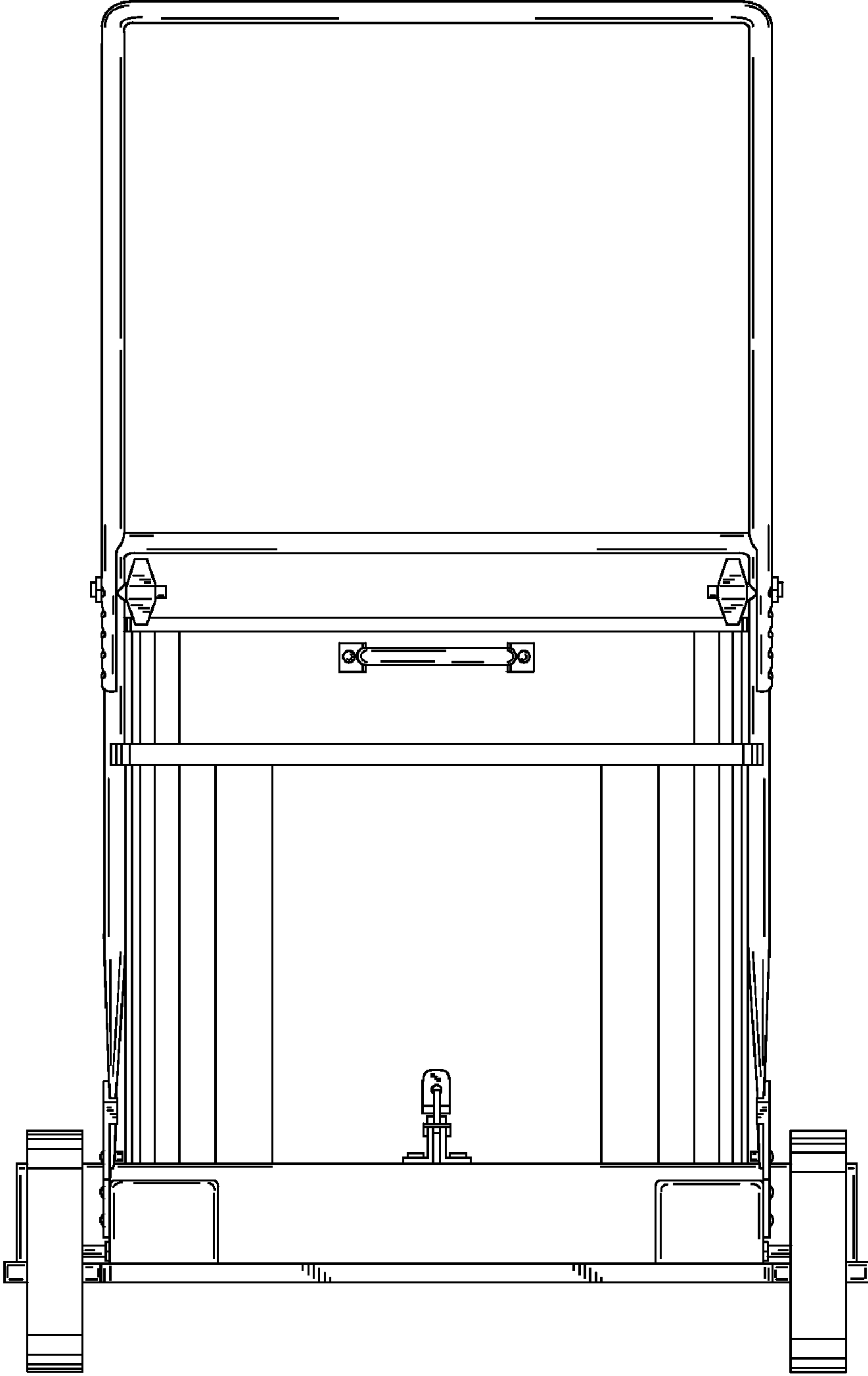


Fig. 4



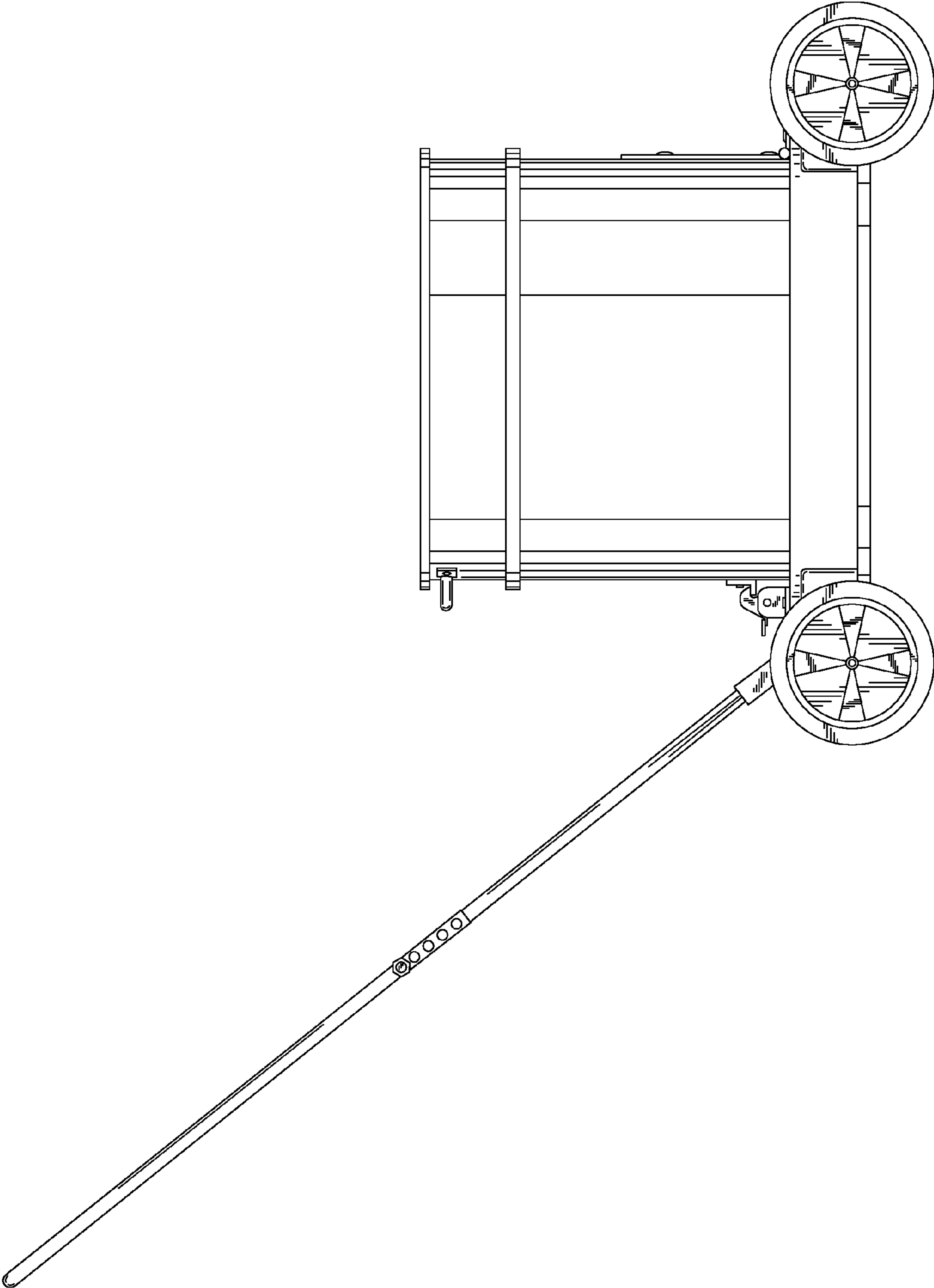


Fig. 5

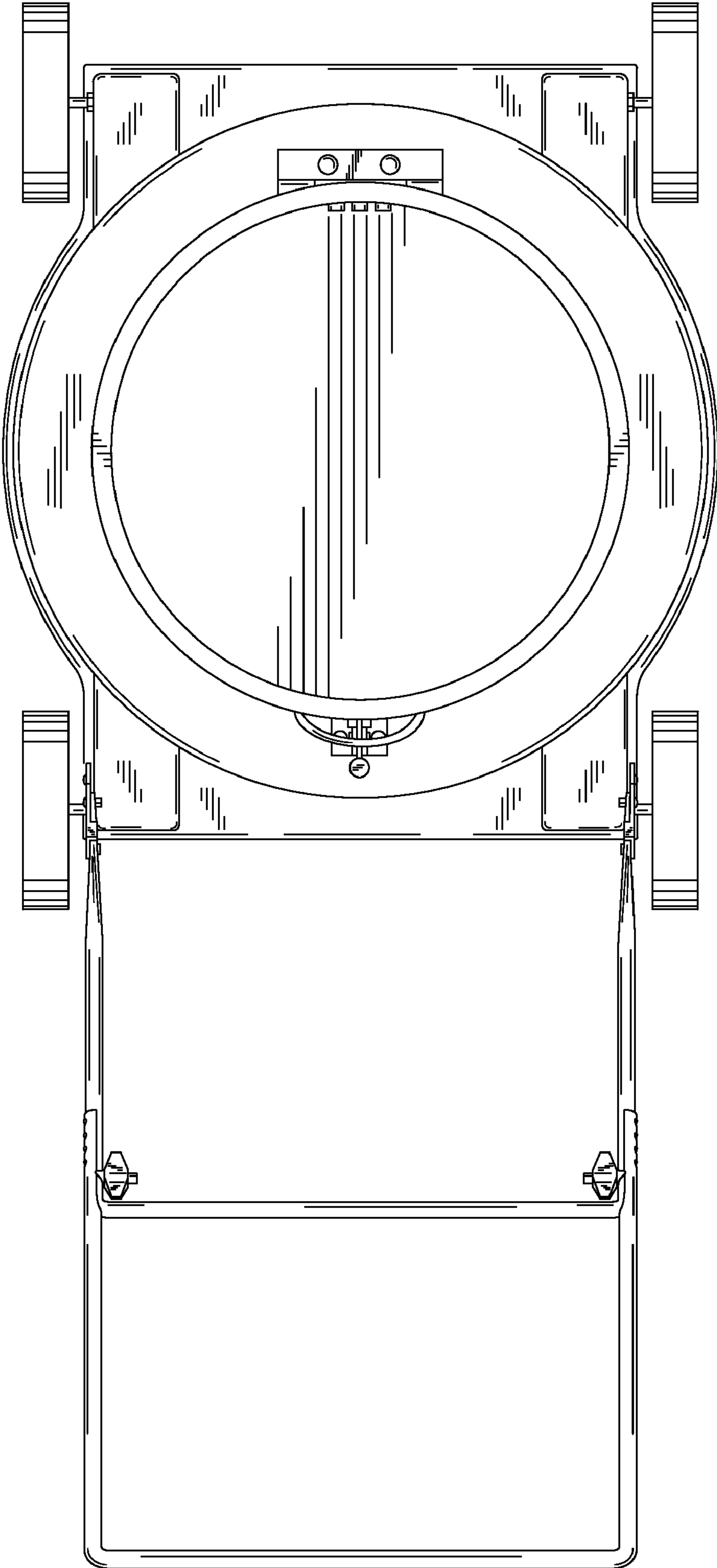


Fig. 6



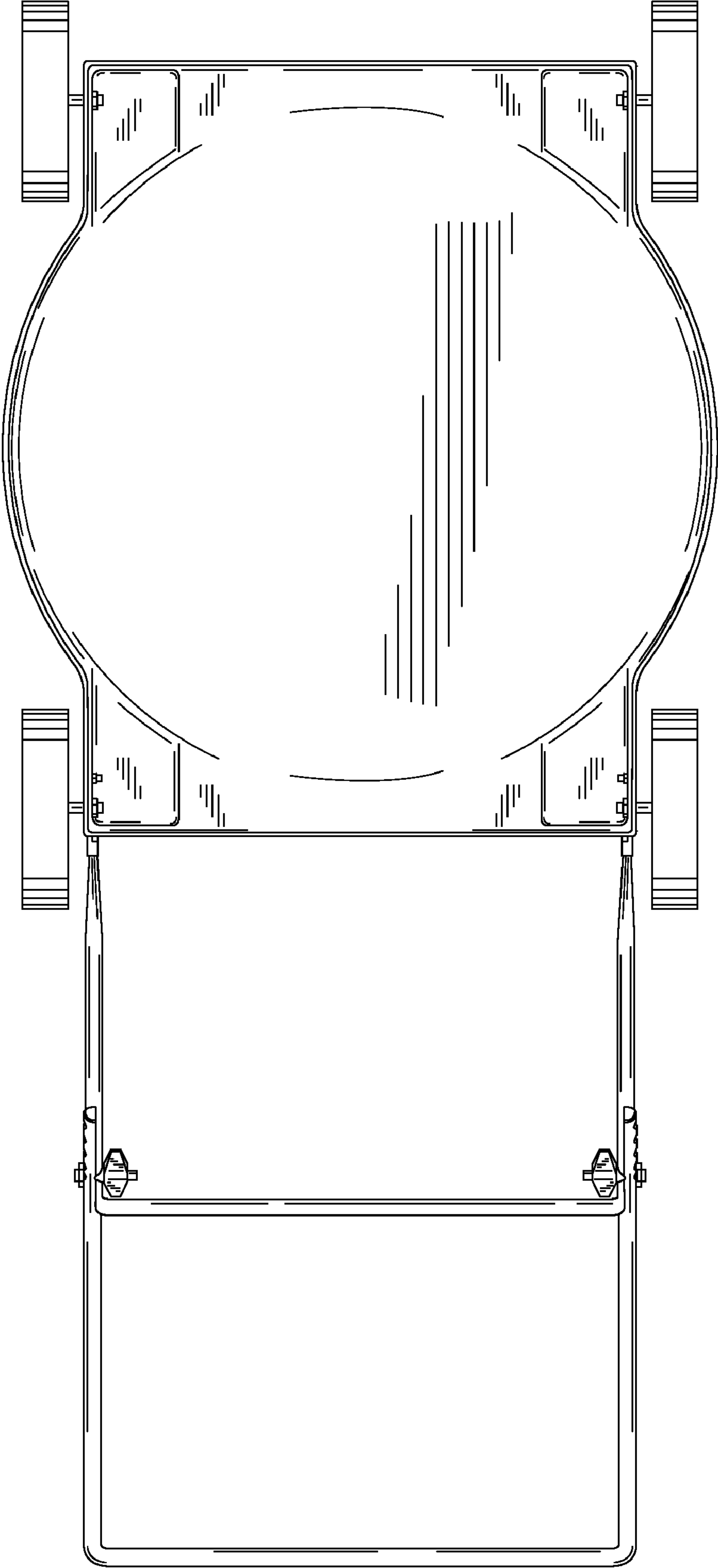


Fig. 7

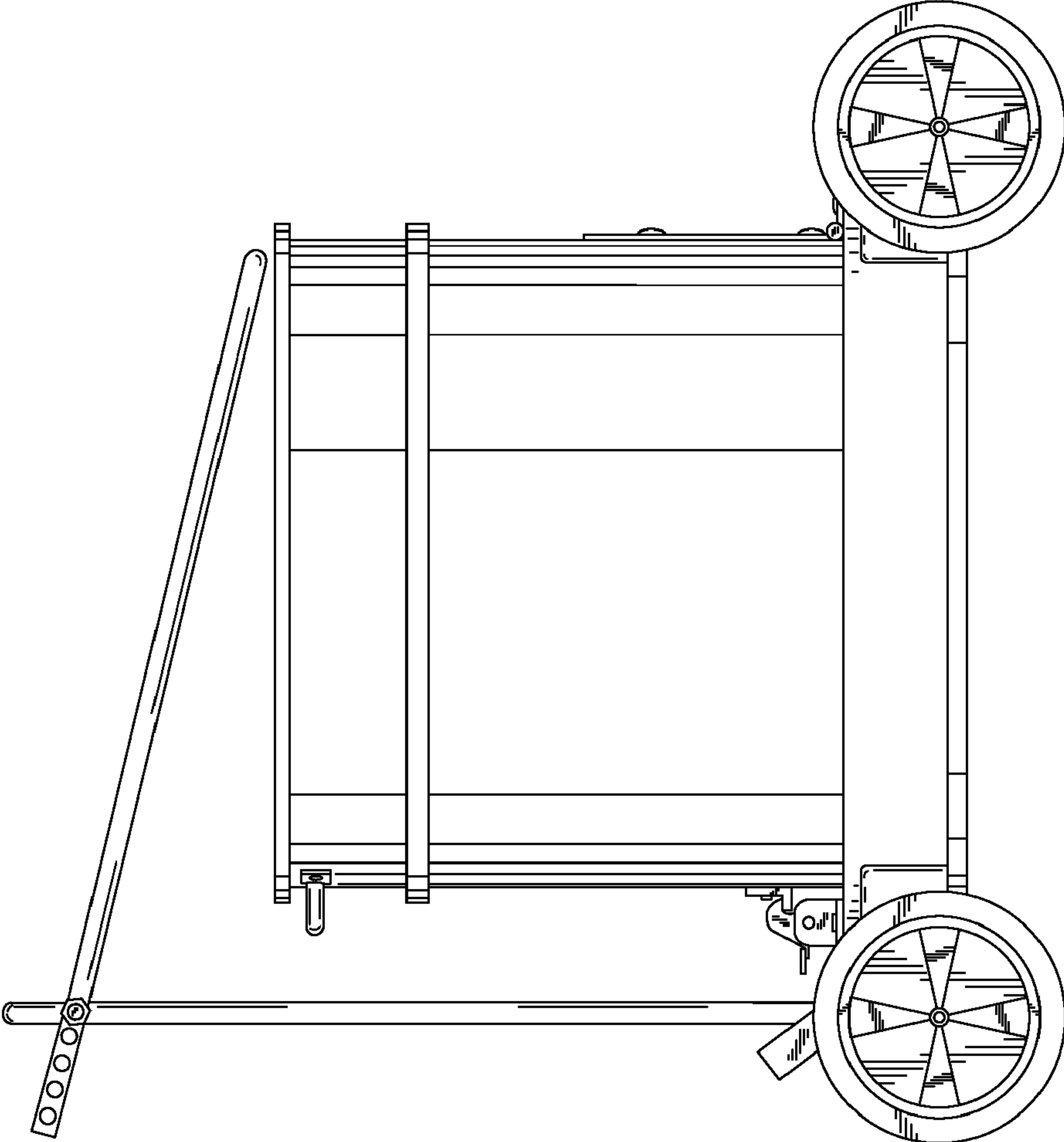


Fig. 8