



US00D640257S

(12) **United States Design Patent**  
**Lee**

(10) **Patent No.:** **US D640,257 S**

(45) **Date of Patent:** **\*\* Jun. 21, 2011**

(54) **MOUSE**

(75) Inventor: **Nicholas Ian Lee**, Singapore (SG)

(73) Assignee: **Razer (Asia-Pacific) Pte Ltd.**,  
Singapore (SG)

(\*\*) Term: **14 Years**

(21) Appl. No.: **29/363,813**

(22) Filed: **Jun. 15, 2010**

(51) **LOC (9) Cl.** ..... **14-02**

(52) **U.S. Cl.** ..... **D14/410**

(58) **Field of Classification Search** ..... D14/402-411,  
D14/356, 388, 389, 383-385, 417, 426;  
345/156-167; 463/36-38; 358/471, 473  
See application file for complete search history.

(56) **References Cited**

**U.S. PATENT DOCUMENTS**

|              |         |                 |       |         |
|--------------|---------|-----------------|-------|---------|
| D288,569 S * | 3/1987  | Ida             | ..... | D14/407 |
| D326,848 S * | 6/1992  | Shiraishi       | ..... | D14/410 |
| D340,925 S * | 11/1993 | Yurkonis et al. | ..... | D14/407 |
| D344,498 S * | 2/1994  | Leman           | ..... | D14/402 |

|              |         |                |       |         |
|--------------|---------|----------------|-------|---------|
| D374,438 S * | 10/1996 | Gilliam et al. | ..... | D14/408 |
| D381,971 S * | 8/1997  | Wu             | ..... | D14/402 |
| D387,749 S * | 12/1997 | Diaz           | ..... | D14/409 |
| D527,006 S * | 8/2006  | Francz et al.  | ..... | D14/402 |
| D586,813 S * | 2/2009  | Colburn        | ..... | D14/385 |
| D614,189 S * | 4/2010  | Inoue et al.   | ..... | D14/410 |

\* cited by examiner

*Primary Examiner* — Austin Murphy

(74) *Attorney, Agent, or Firm* — Axis Intellectual Capital  
Pte Ltd; Leif R. Sloan; Sonya C. Harris

(57) **CLAIM**

The ornamental design for a mouse, as shown and described.

**DESCRIPTION**

FIG. 1 is a perspective view of a mouse according to a new design;

FIG. 2 is a front view of the mouse of FIG. 1;

FIG. 3 is a rear view of the mouse of FIG. 1;

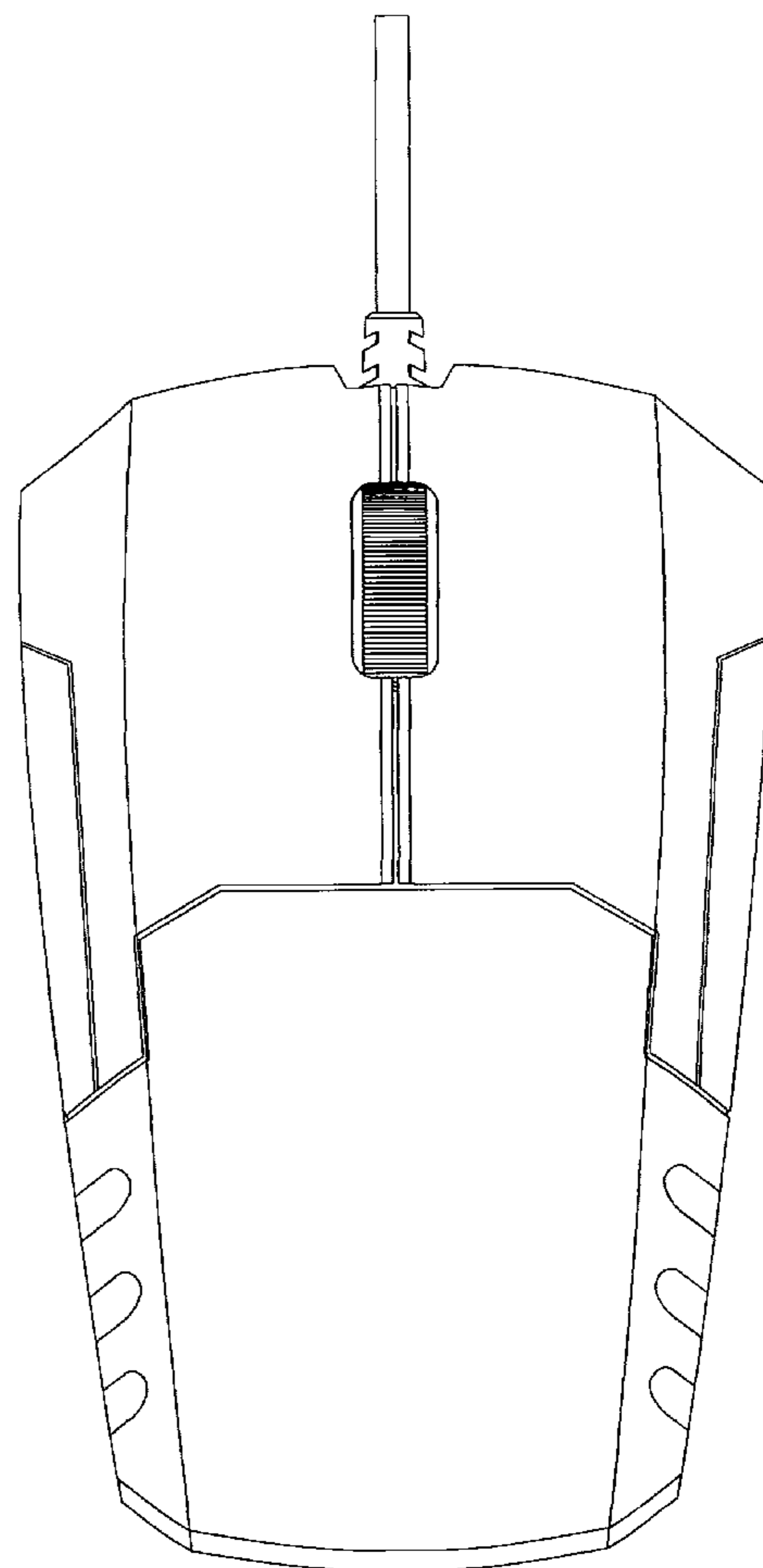
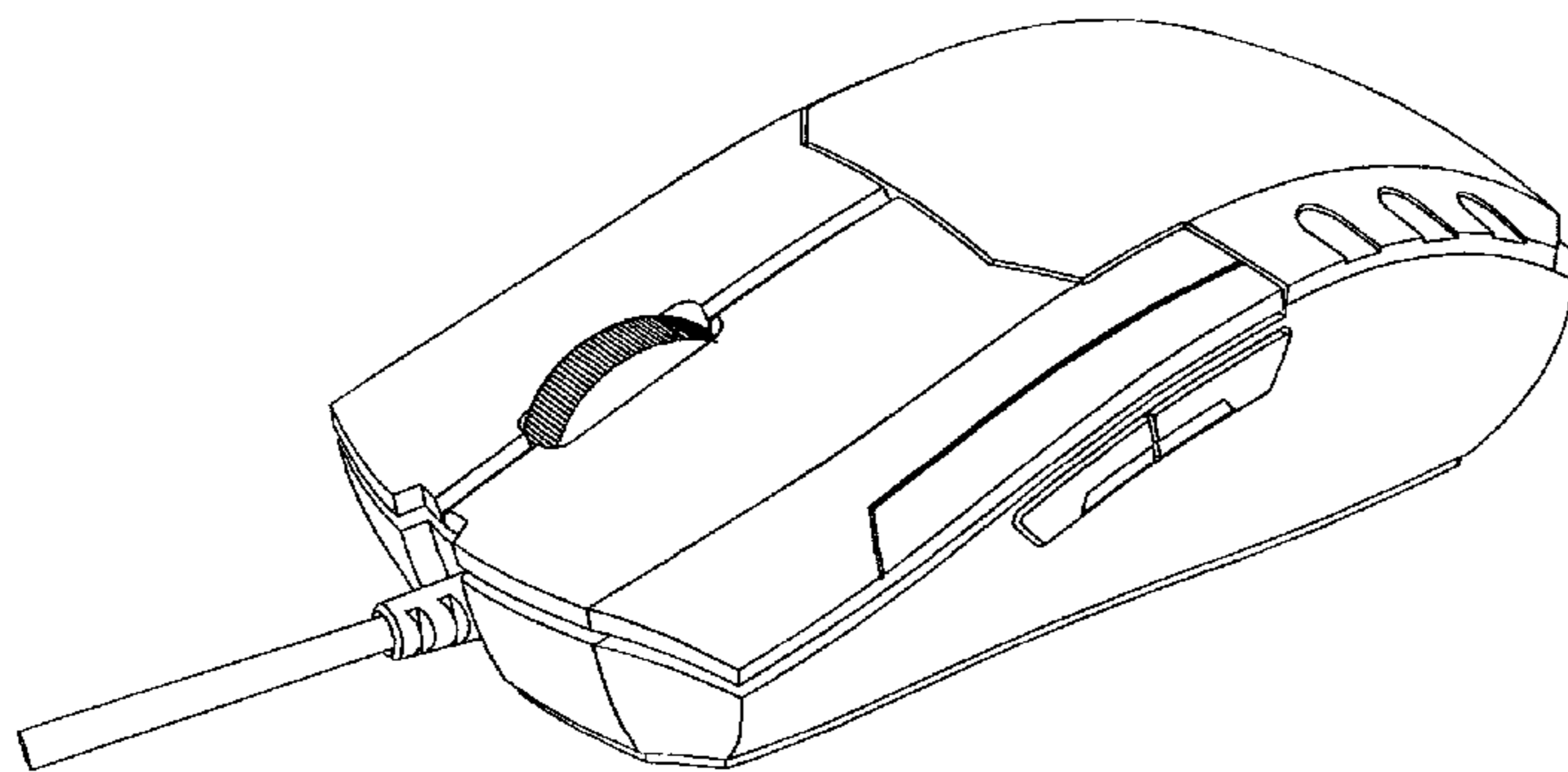
FIG. 4 is a left side view of the mouse of FIG. 1;

FIG. 5 is a right side view of the mouse of FIG. 1;

FIG. 6 is a top plan view of the mouse of FIG. 1; and,

FIG. 7 is a bottom plan view of the mouse of FIG. 1.

**1 Claim, 7 Drawing Sheets**



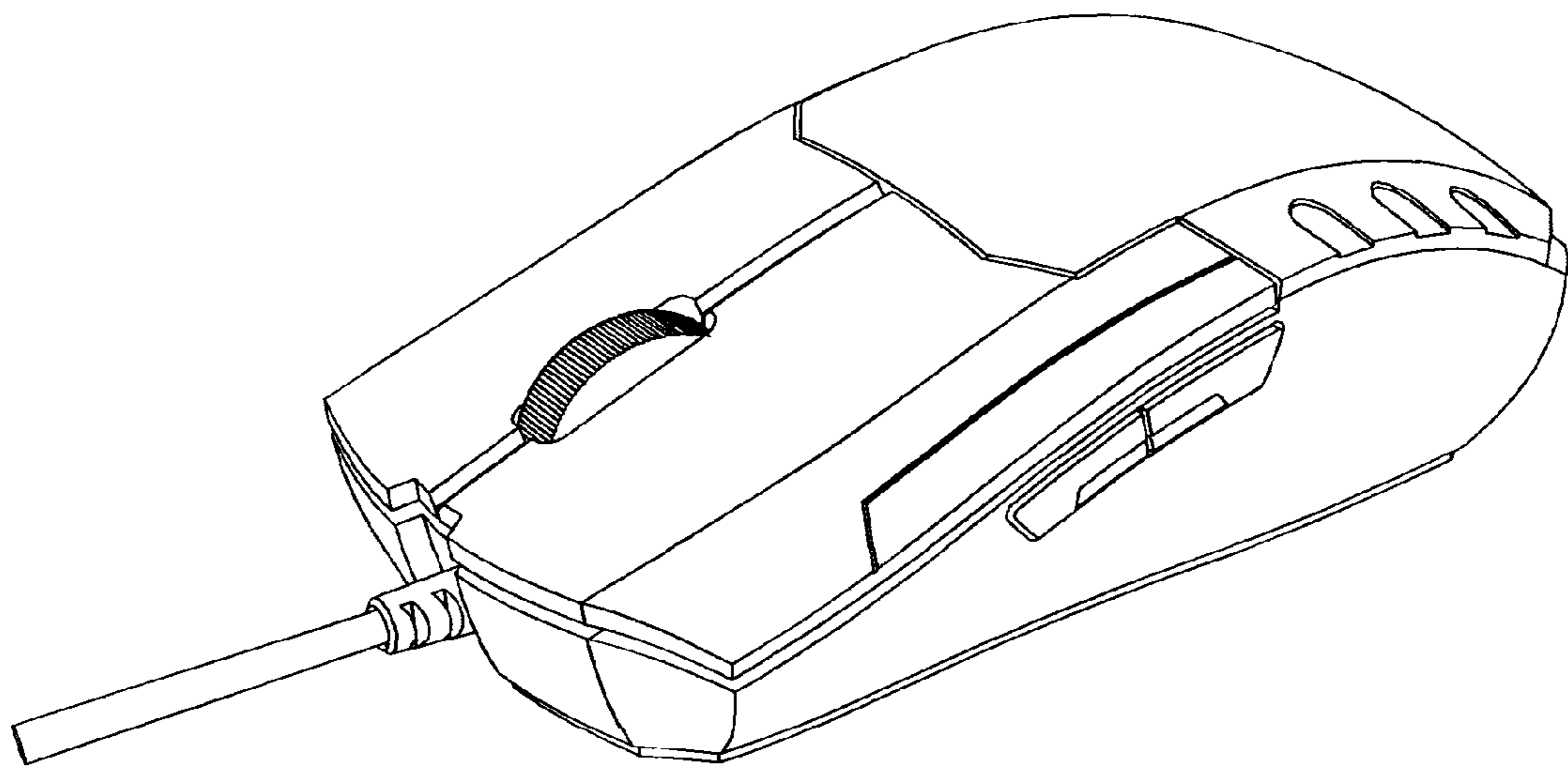


FIG. 1

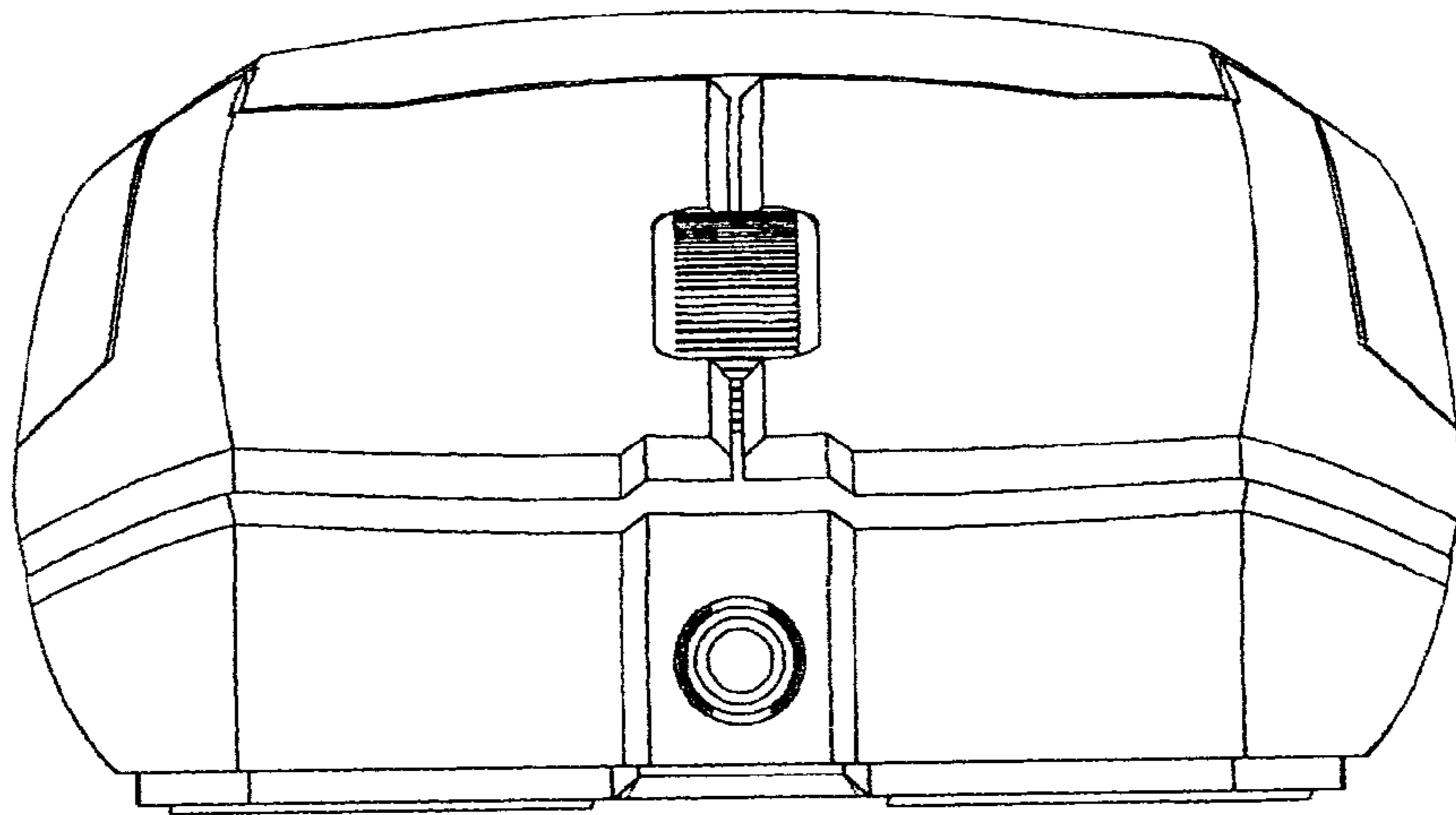


FIG. 2

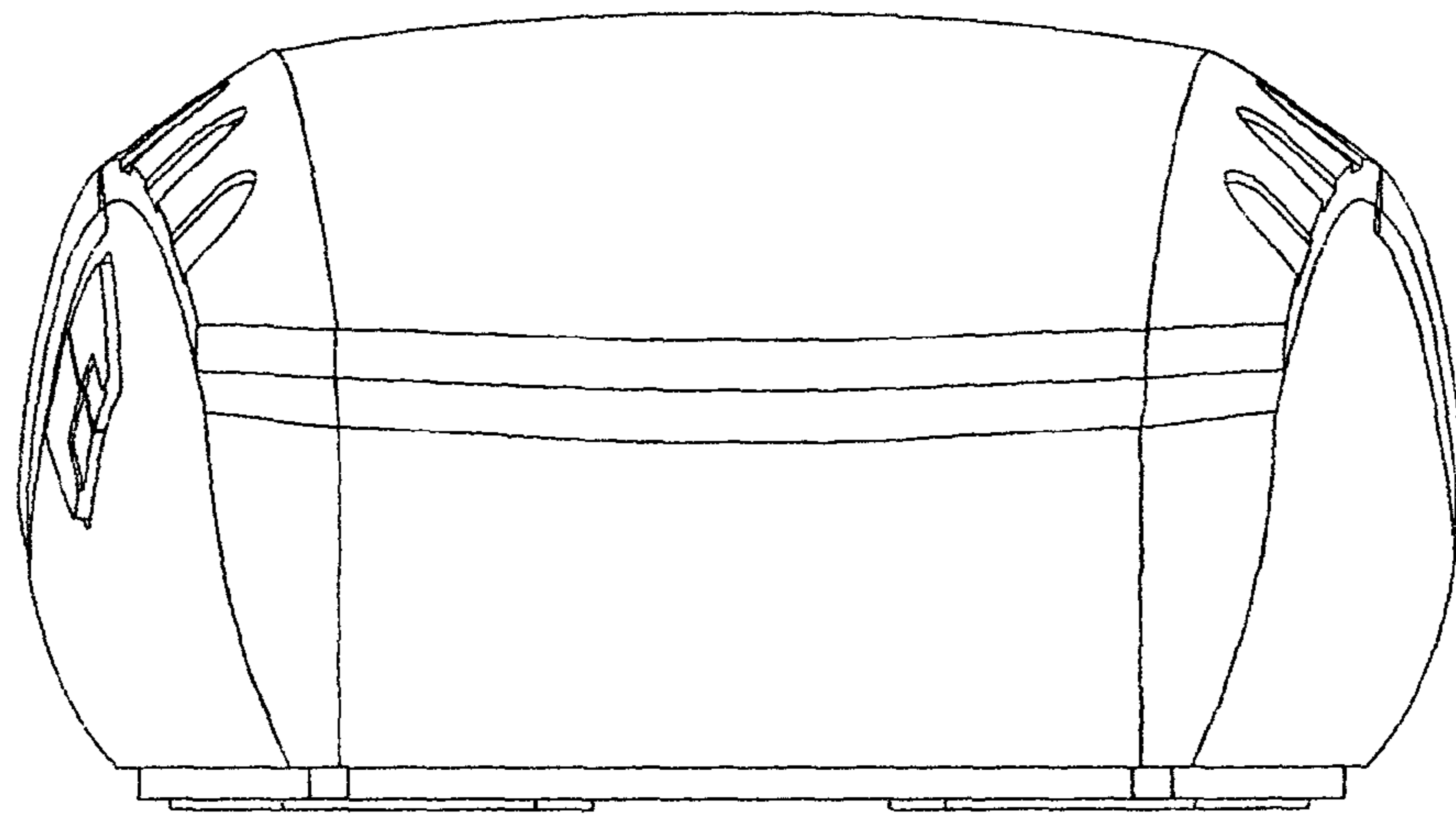


FIG. 3

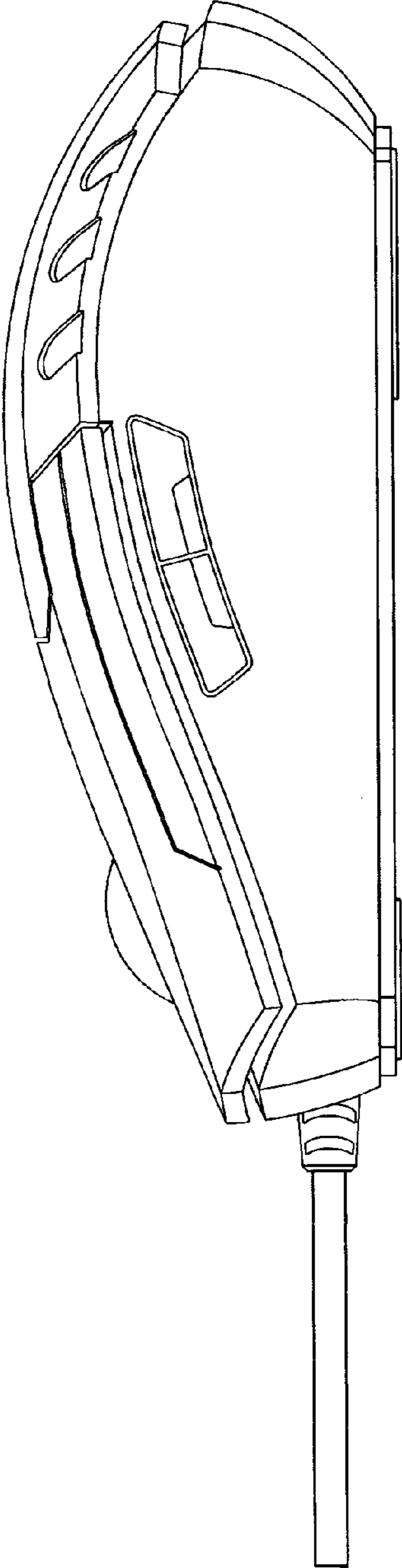


FIG. 4

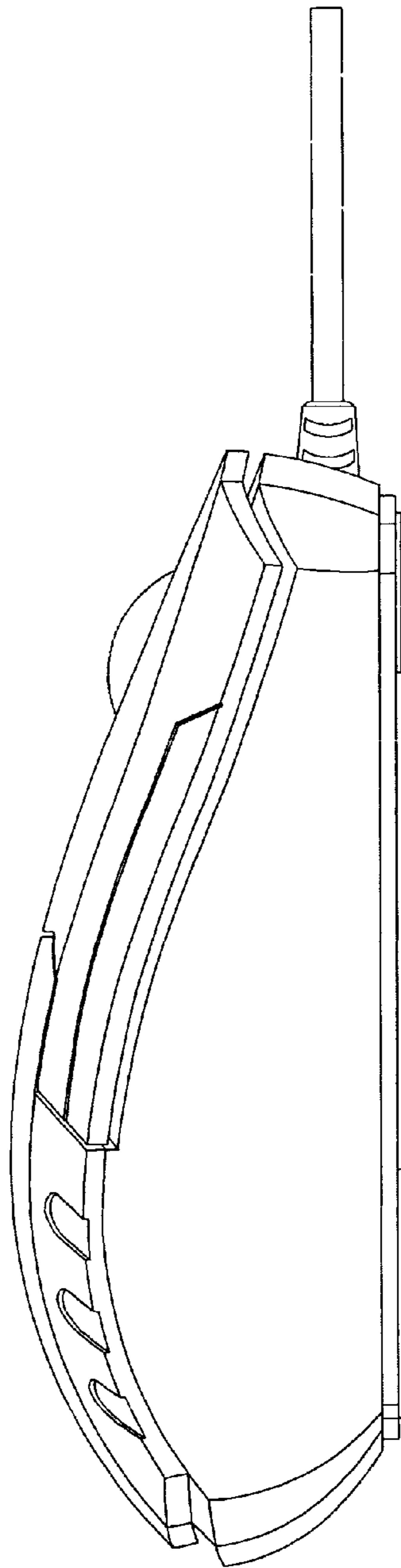


FIG. 5

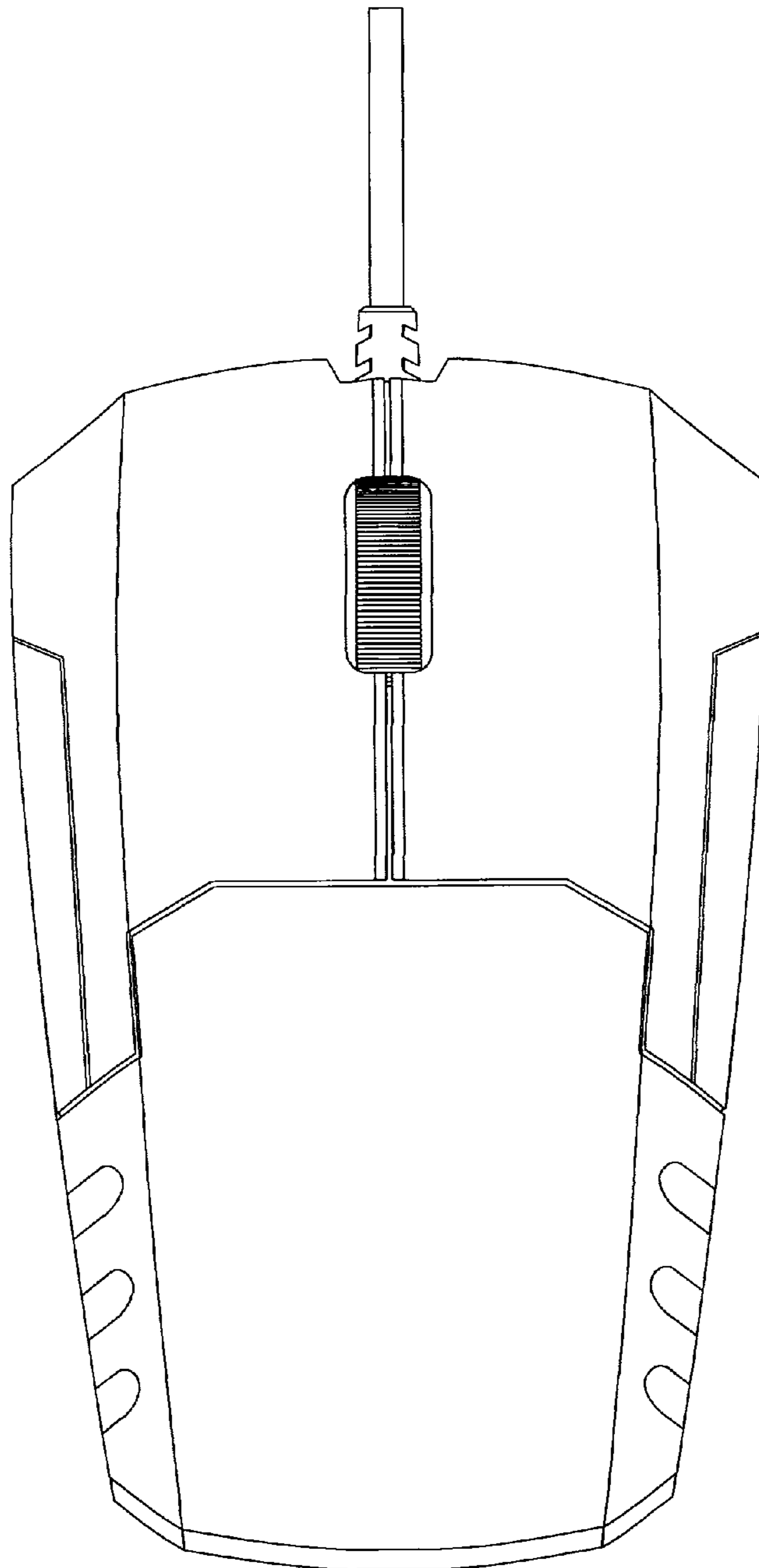


FIG. 6

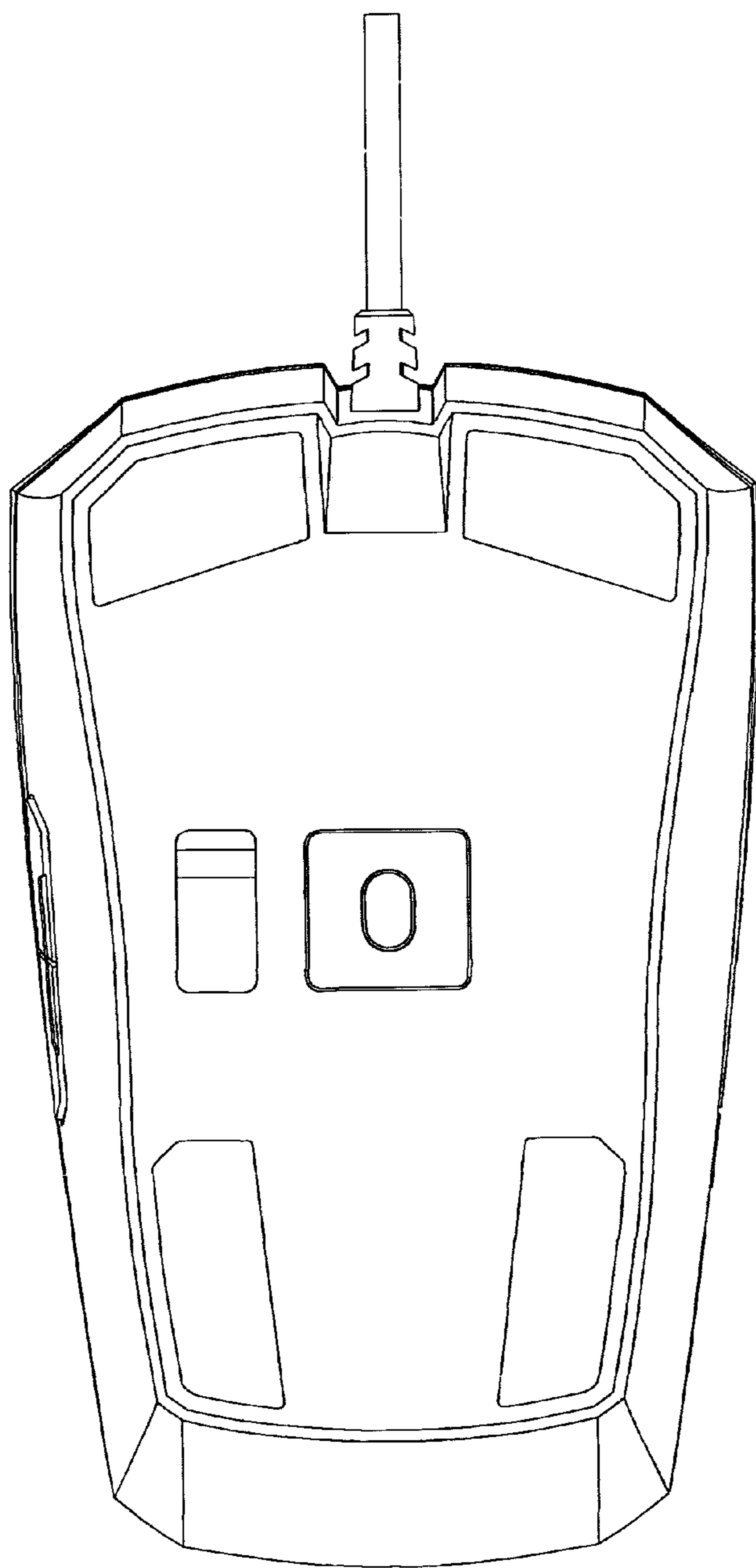


FIG. 7