



US00D640255S

(12) **United States Design Patent**
Lee et al.

(10) **Patent No.:** **US D640,255 S**
(45) **Date of Patent:** **** Jun. 21, 2011**

(54) **TABLET COMPUTER**

(75) Inventors: **EunuaeShally Lee**, Seoul (KR);
Sang-Sung Woo, Seoul (KR); **Bum-Ho Chun**, Seoul (KR)

(73) Assignee: **Samsung Electronics Co., Ltd.**, Suwon, Kyunggi-Do (KR)

(**) Term: **14 Years**

(21) Appl. No.: **29/372,112**

(22) Filed: **Oct. 15, 2010**

(51) **LOC (9) Cl.** **14-02**

(52) **U.S. Cl.** **D14/341**

(58) **Field of Classification Search** D14/341–347, D14/137, 138, 138.1, 138 AA, 138 R, 138 AB, D14/138 C, 138 G, 496, 203.1, 203.3, 203.4, D14/203.7, 426, 429, 130, 420, 439–441, D14/448, 125, 147, 156, 218, 389, 336, 315; D10/65, 104; D21/324, 329, 330; D19/60; 345/169, 901, 905, 156, 173; 348/169; 361/804; 341/22, 23; 379/433.04, 433.07, 433.11, 379/916, 433.01, 433.06

See application file for complete search history.

(56) **References Cited**

U.S. PATENT DOCUMENTS

D270,063 S *	8/1983	Ackeret	D6/308
D284,084 S *	6/1986	Ferrara, Jr.	D14/389
D306,583 S *	3/1990	Krolopp et al.	D14/137
D333,574 S *	3/1993	Ackeret	D6/300
D337,569 S *	7/1993	Kando	D14/341
D500,991 S *	1/2005	Niitsu	D14/126
D504,889 S *	5/2005	Andre et al.	D14/341
D532,791 S *	11/2006	Kim	D14/203.7
D534,545 S *	1/2007	Leija et al.	D14/496
D563,804 S *	3/2008	Kimura et al.	D10/65
D579,930 S *	11/2008	Maskatia	D14/341
D584,738 S *	1/2009	Kim et al.	D14/496

D590,374 S *	4/2009	Madonna et al.	D14/218
D592,214 S *	5/2009	Bradford	D14/371
D602,014 S *	10/2009	Andre et al.	D14/341
D602,487 S *	10/2009	Maskatia	D14/341
D605,626 S *	12/2009	Park	D14/203.7
D610,582 S *	2/2010	Sugitani et al.	D14/336
D611,364 S *	3/2010	Lenz et al.	D10/65
D613,510 S *	4/2010	Tzeng et al.	D6/308
D613,951 S *	4/2010	Tang et al.	D6/308
D617,793 S *	6/2010	Chiang et al.	D14/341
D622,270 S *	8/2010	Andre et al.	D14/341
D627,667 S *	11/2010	Lenz et al.	D10/65
D628,913 S *	12/2010	Cheng	D10/65
D629,799 S *	12/2010	Andre et al.	D14/341
2007/0135184 A1 *	6/2007	Pletikosa	455/575.1
2009/0231292 A1 *	9/2009	Hsieh et al.	345/173

OTHER PUBLICATIONS

U.S. Appl. No. 29/372,113, Applicant: EunuaeShally Lee, et al., filed Oct. 15, 2010 entitled Tablet Computer.

* cited by examiner

Primary Examiner — Cathron C Brooks

Assistant Examiner — Barbara Fox

(74) *Attorney, Agent, or Firm* — Flynn, Thiel, Boutell & Tanis, P.C.

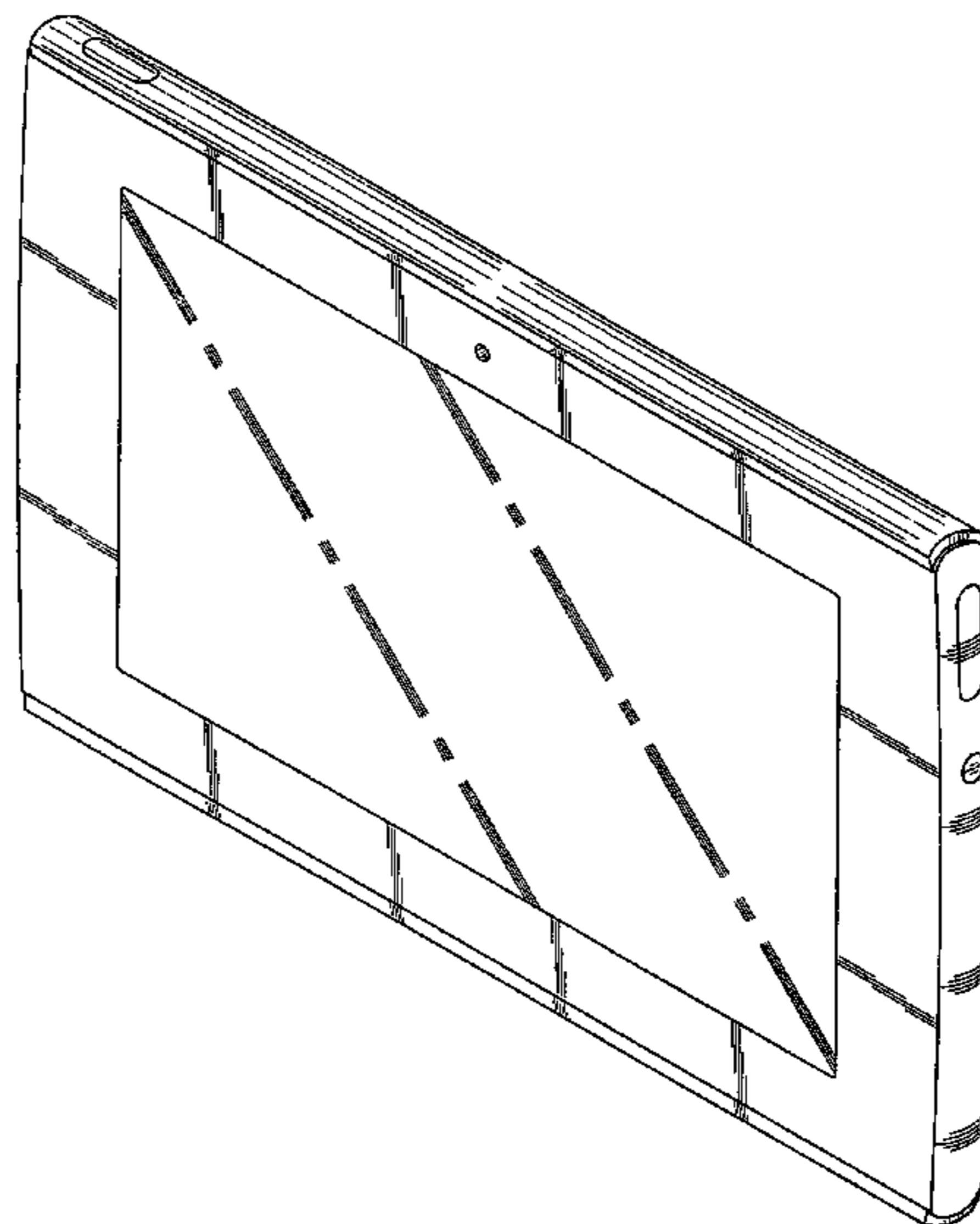
(57) **CLAIM**

The ornamental design for a tablet computer, as shown and described.

DESCRIPTION

FIG. 1 is a top front perspective view of a tablet computer showing our new design;
FIG. 2 is a front elevational view thereof;
FIG. 3 is a rear elevational view thereof;
FIG. 4 is a left side elevational view thereof;
FIG. 5 is a right side elevational view thereof;
FIG. 6 is a top plan view thereof; and,
FIG. 7 is a bottom plan view thereof.

1 Claim, 3 Drawing Sheets



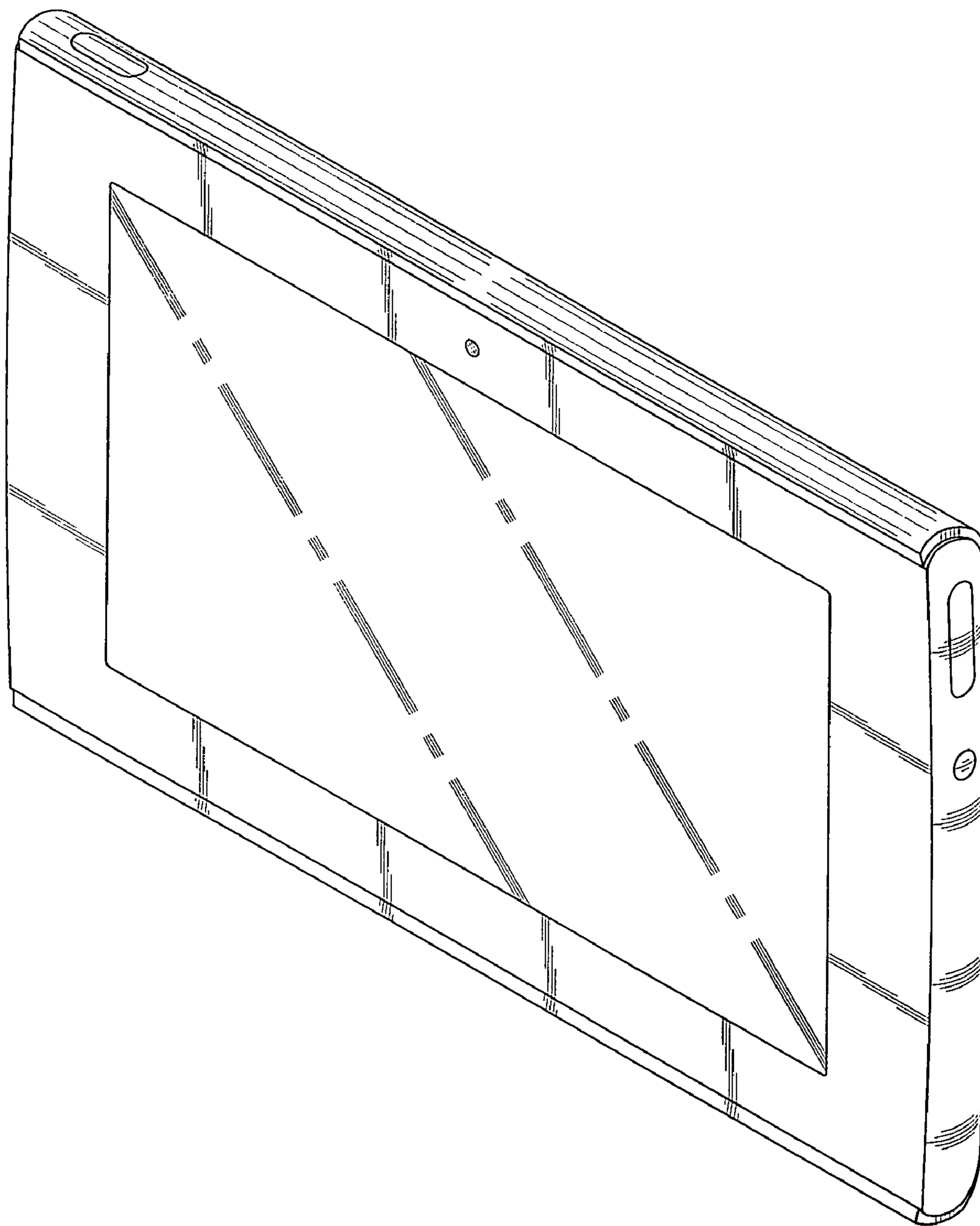


FIG. 1

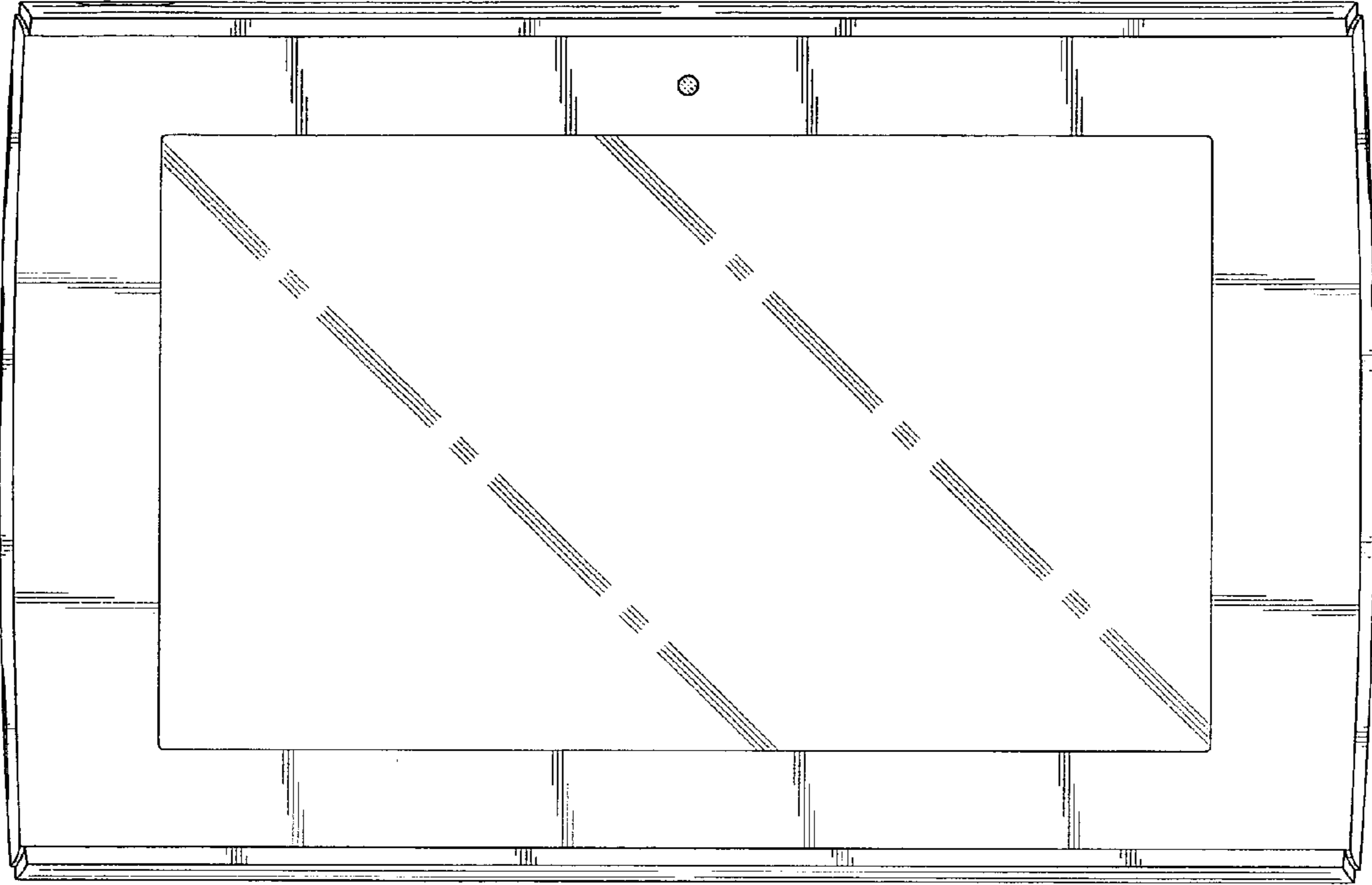


FIG. 2

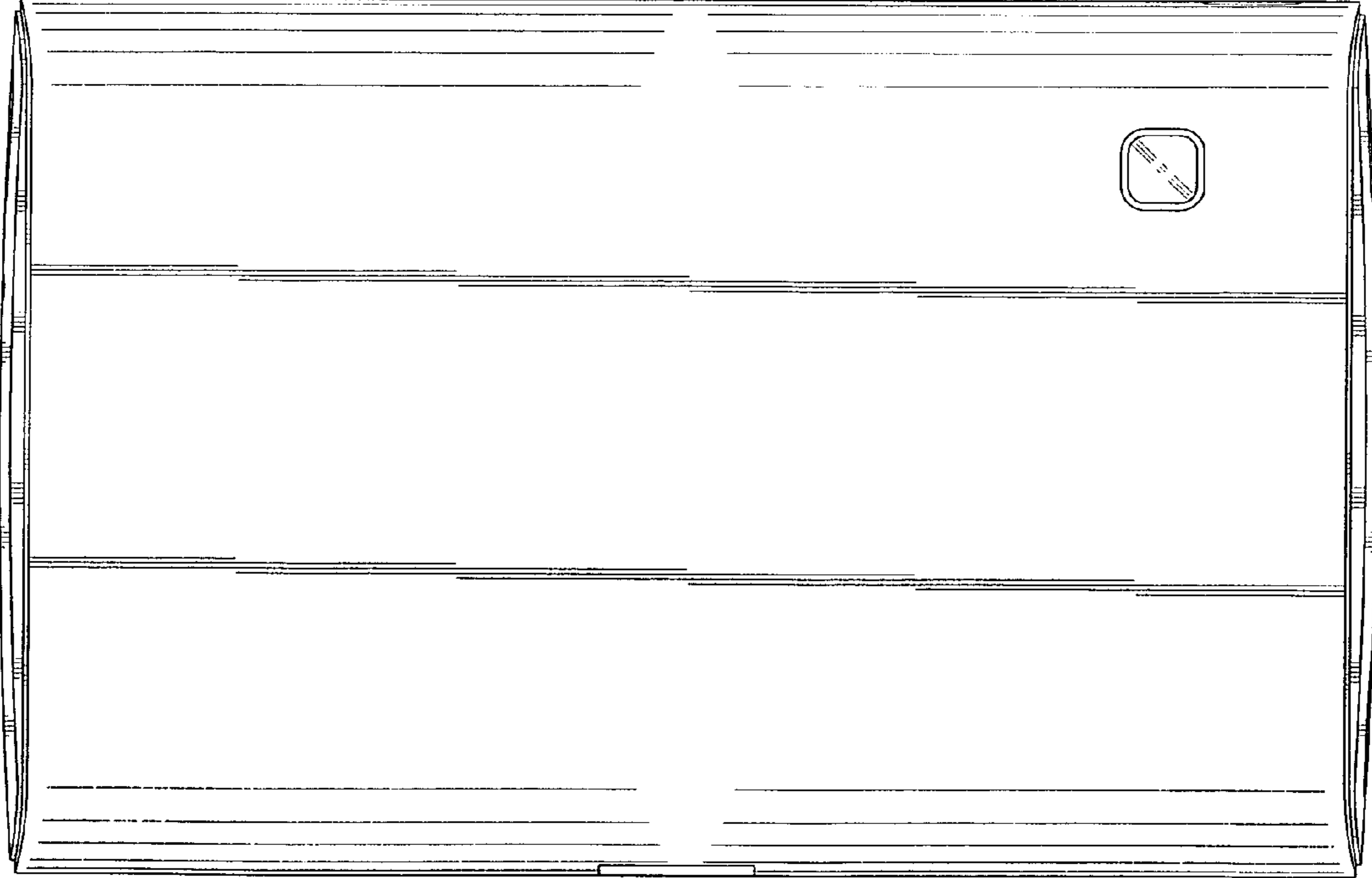


FIG. 3

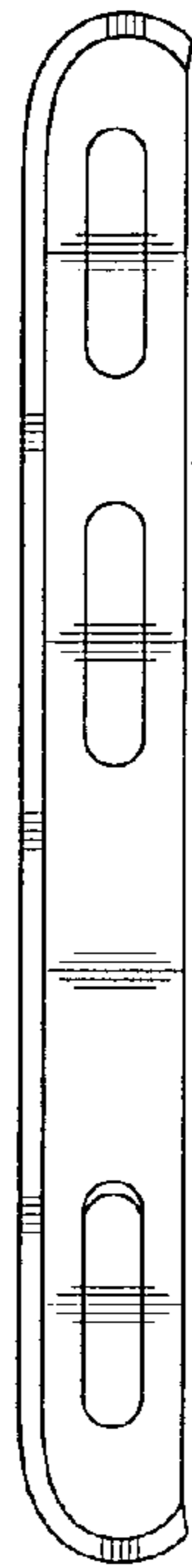


FIG. 4

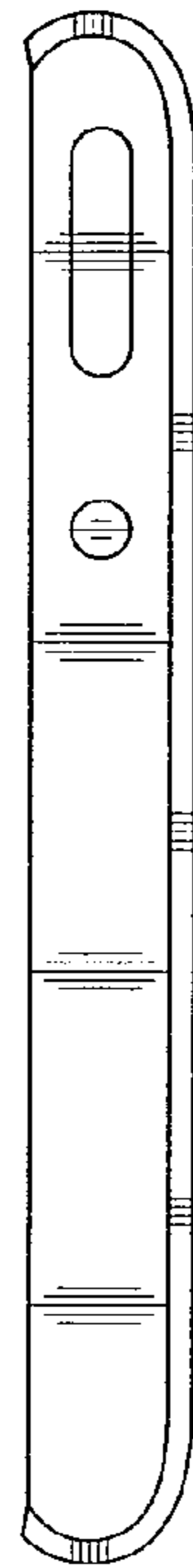


FIG. 5

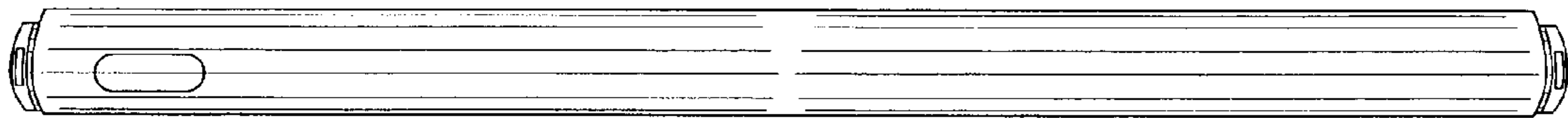


FIG. 6

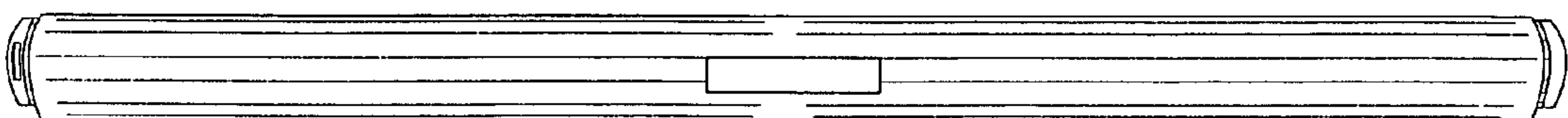


FIG. 7