



US00D640254S

(12) **United States Design Patent**  
**Pepper et al.**

(10) **Patent No.:** **US D640,254 S**  
(45) **Date of Patent:** **\*\* Jun. 21, 2011**

- (54) **INTERACTIVE DISPLAY DEVICE**
- (75) Inventors: **Jeffrey A. Pepper**, Oakmont, PA (US);  
**William M. Bernstein**, Pittsburgh, PA  
(US); **Matt Beale**, Pittsburgh, PA (US)
- (73) Assignee: **Touchtown, Inc.**, Oakmont, PA (US)
- (\*\*) Term: **14 Years**
- (21) Appl. No.: **29/356,936**
- (22) Filed: **Mar. 4, 2010**

- D537,440 S \* 2/2007 Esplo ..... D14/307
- D558,262 S \* 12/2007 Hong et al. .... D18/50
- D563,405 S \* 3/2008 Taniho et al. .... D14/336
- D570,345 S \* 6/2008 Lee et al. .... D14/336
- D584,731 S \* 1/2009 Montgomery et al. .... D14/434
- D614,617 S \* 4/2010 Pepper et al. .... D14/336

\* cited by examiner

*Primary Examiner* — Freda Nunn  
(74) *Attorney, Agent, or Firm* — The Webb Law Firm

(57) **CLAIM**  
The ornamental design for an interactive display device, as shown and described.

**Related U.S. Application Data**

- (63) Continuation-in-part of application No. 29/335,623, filed on Apr. 17, 2009, now Pat. No. Des. 614,617.
- (51) **LOC (9) Cl.** ..... **14-02**
- (52) **U.S. Cl.** ..... **D14/336**
- (58) **Field of Classification Search** ..... D14/336,  
D14/337, 371, 374, 375, 125-129, 307, 388;  
345/104, 156, 168, 169, 173, 87; 348/180,  
348/184, 325, 739; 248/917-924; 341/12;  
349/1, 2, 11, 62; D18/50; 235/462.43, 462.47;  
D13/108; 361/679.27  
See application file for complete search history.

**DESCRIPTION**

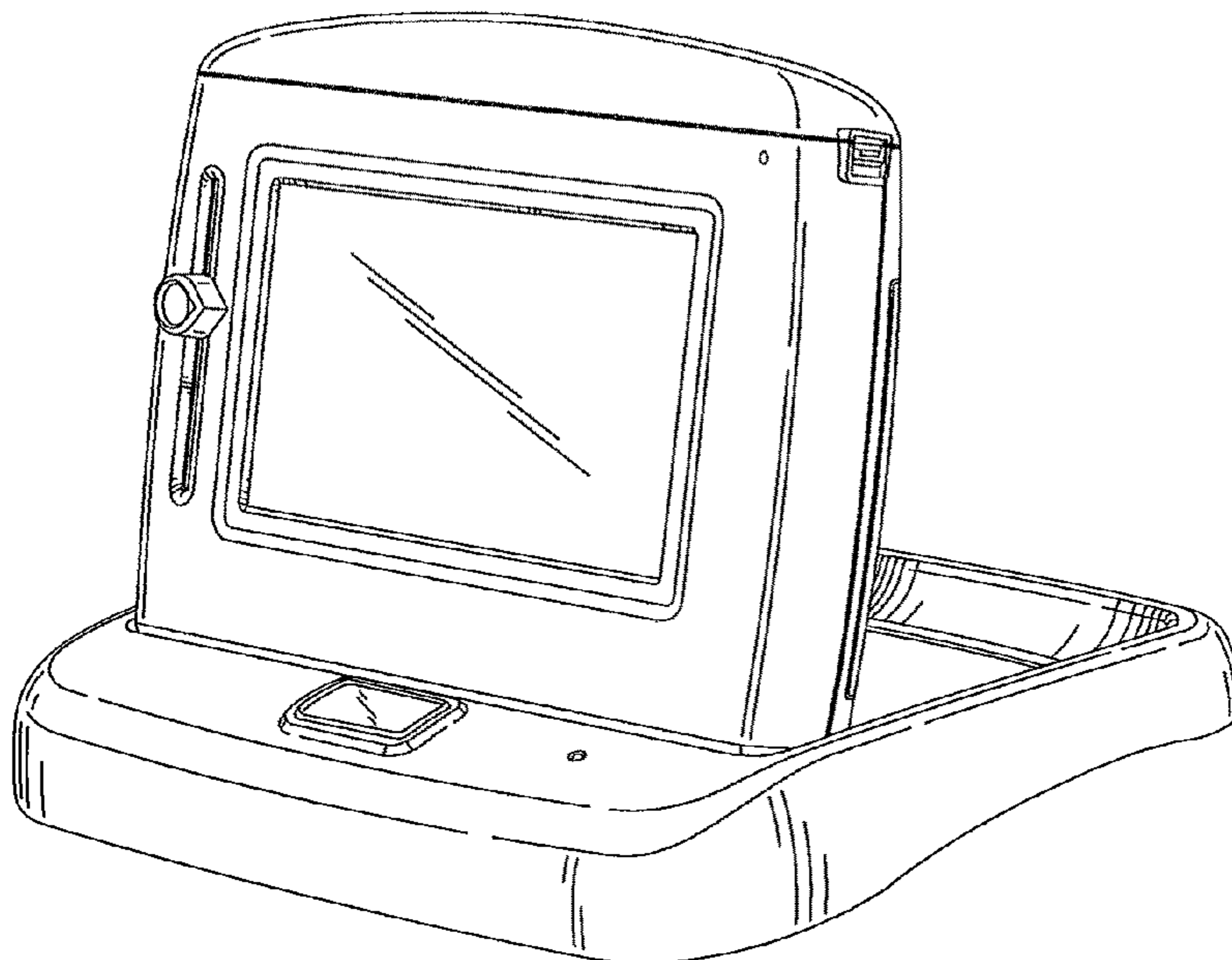
FIG. 1 is a front perspective view of the interactive display device in an open position;  
 FIG. 2 is a top plan view thereof;  
 FIG. 3 is a bottom plan view thereof;  
 FIG. 4 is a front elevation view thereof;  
 FIG. 5 is a rear elevation view thereof;  
 FIG. 6 is a left elevation view thereof;  
 FIG. 7 is a right elevation view thereof;  
 FIG. 8 is a front perspective view of the interactive display device in a closed position;  
 FIG. 9 is a top plan view thereof;  
 FIG. 10 is a bottom plan view thereof;  
 FIG. 11 is a front elevation view thereof;  
 FIG. 12 is a rear elevation view thereof;  
 FIG. 13 is a left elevation view thereof; and,  
 FIG. 14 is a right elevation view thereof.  
 The portions of the interactive display device shown in broken lines in FIG. 3 form no part of the claimed design.

(56) **References Cited**

**U.S. PATENT DOCUMENTS**

- 6,053,411 A \* 4/2000 Nugent et al. .... 235/462.43
- 6,062,478 A \* 5/2000 Izaguirre et al. .... 235/462.47
- D428,863 S \* 8/2000 Rahemtulla et al. .... D14/337
- 6,411,271 B1 \* 6/2002 Bang et al. .... 345/87
- D468,306 S \* 1/2003 Tsai ..... D14/337
- D494,176 S \* 8/2004 Porter et al. .... D14/388
- 6,856,506 B2 \* 2/2005 Doherty et al. .... 361/679.27

**1 Claim, 7 Drawing Sheets**



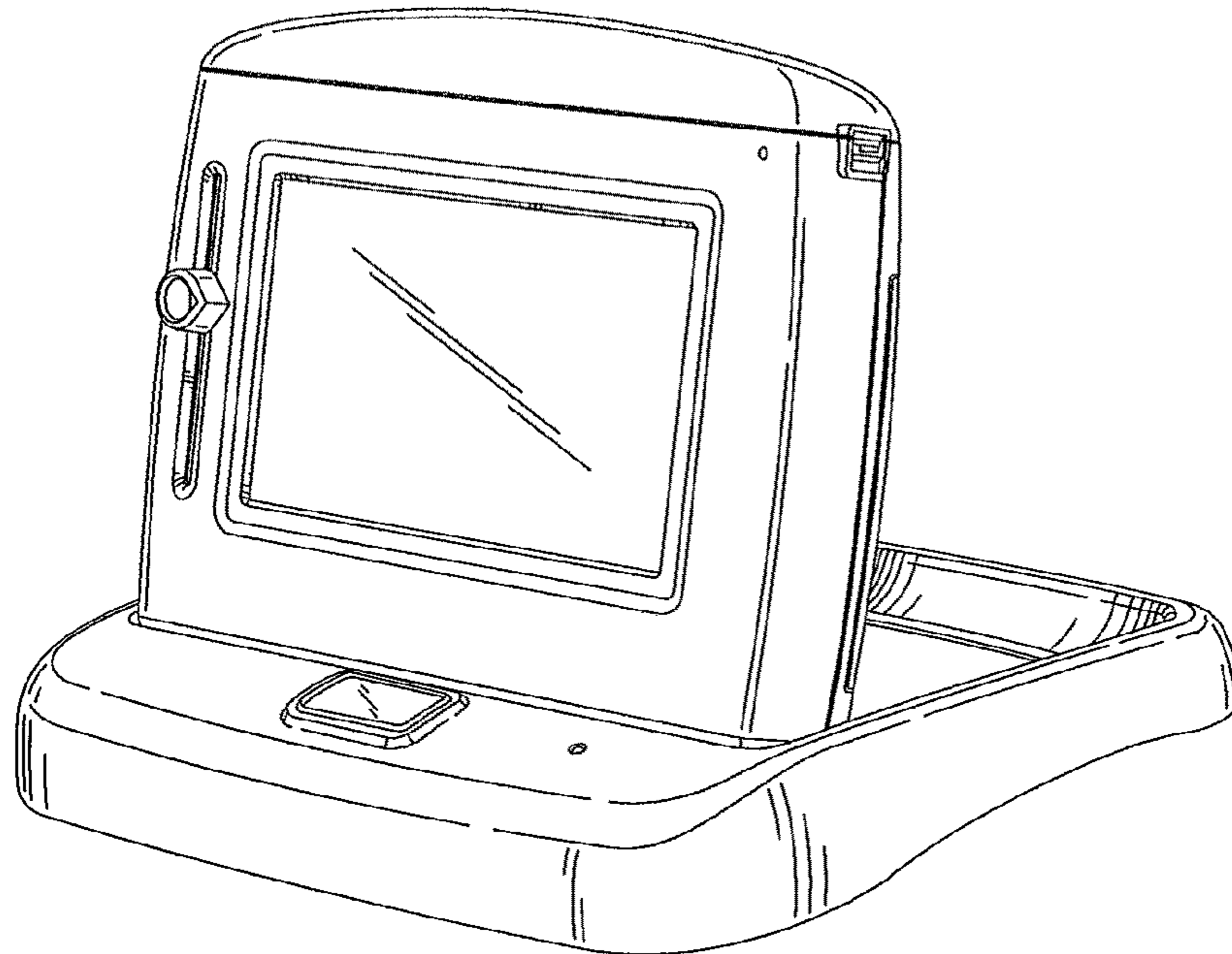


Fig. 1

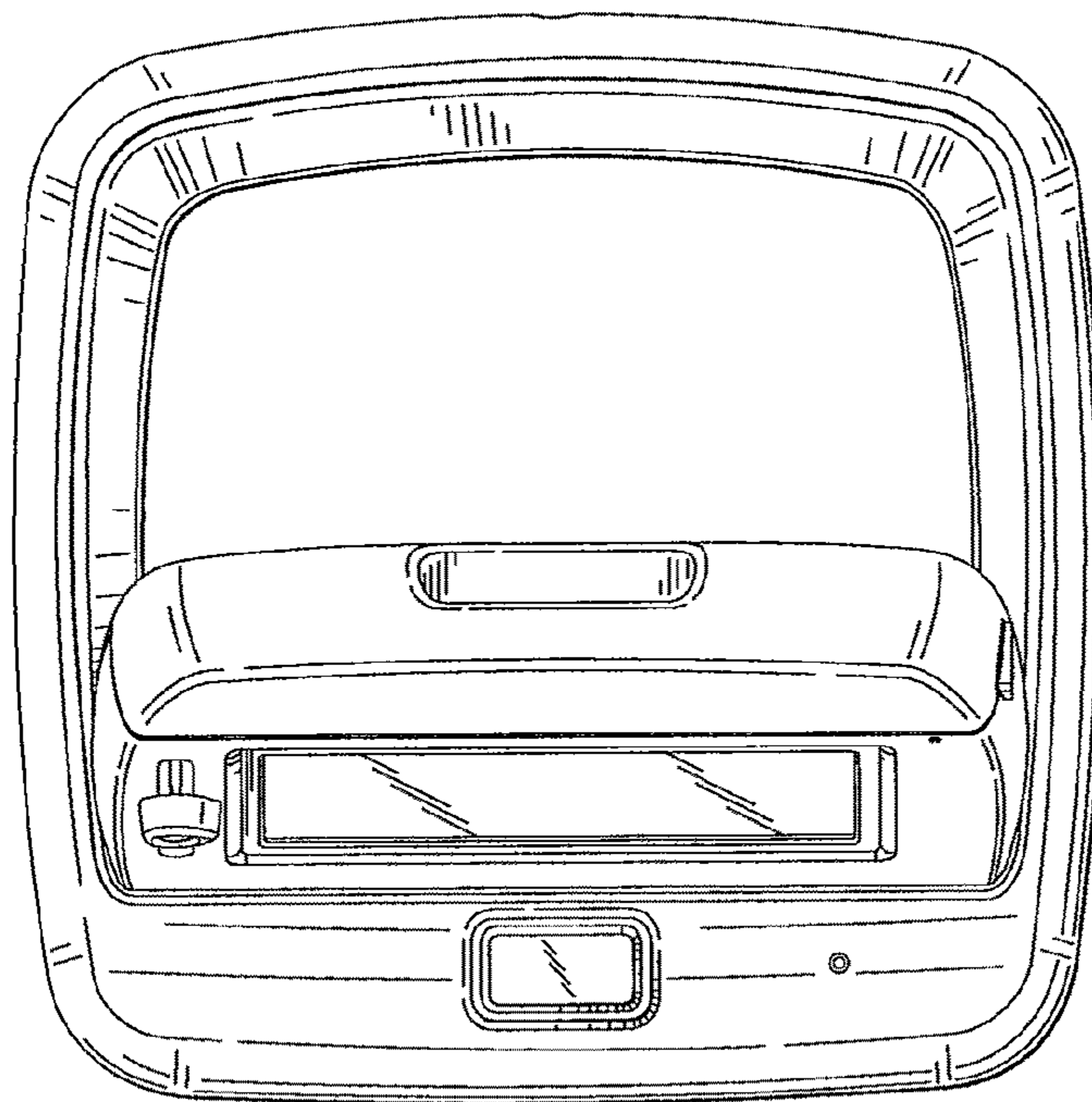


Fig. 2

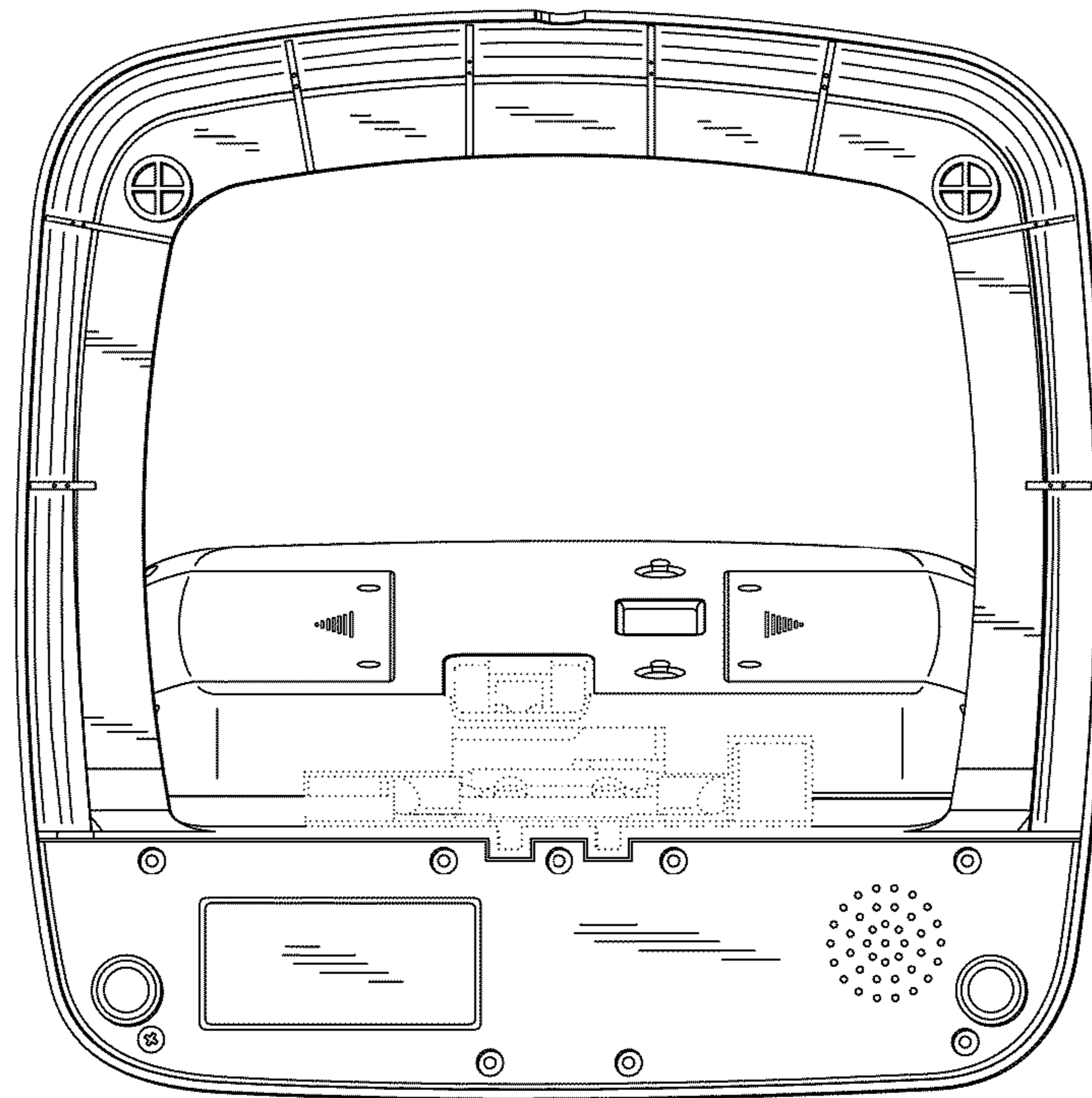


Fig. 3

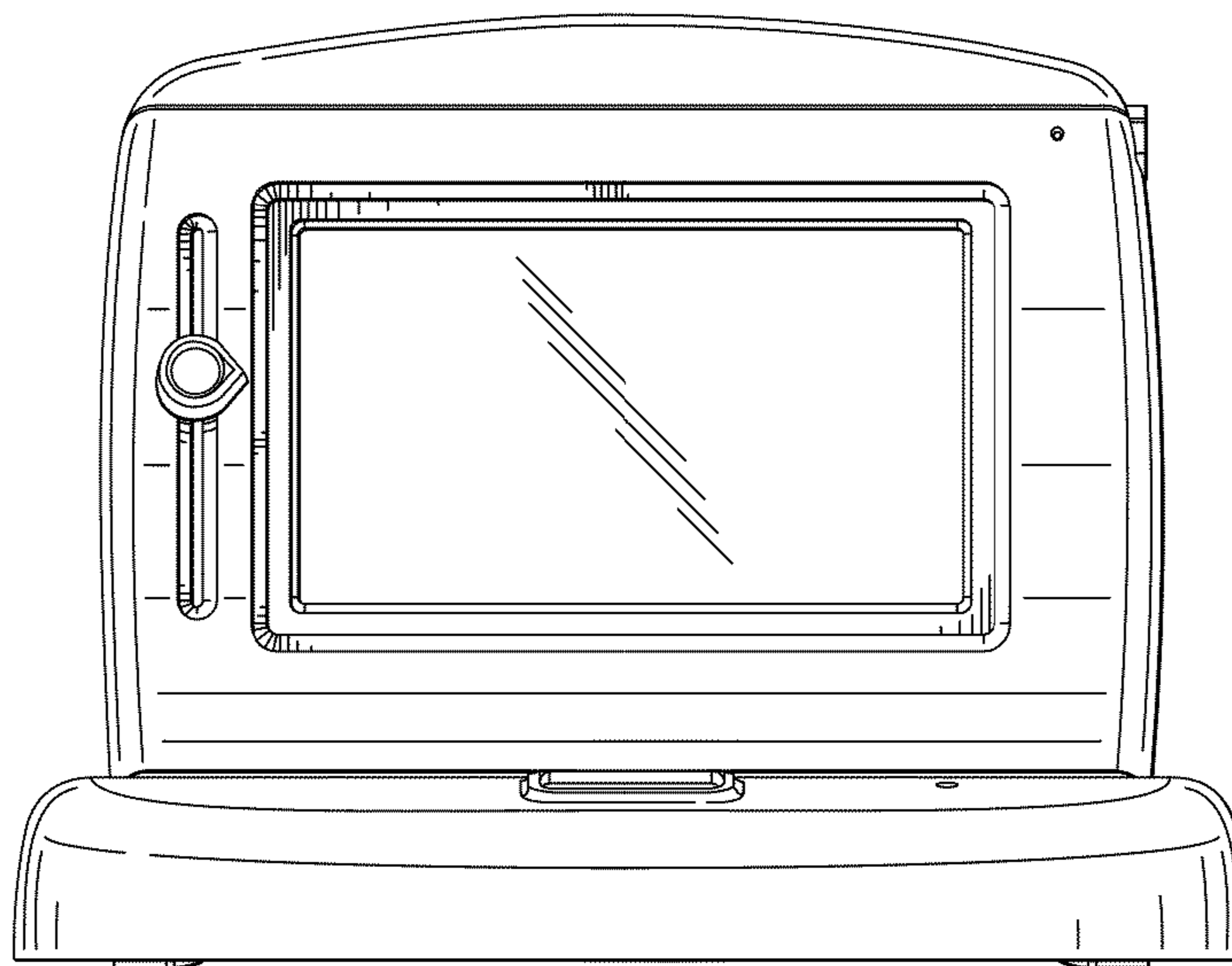


Fig. 4

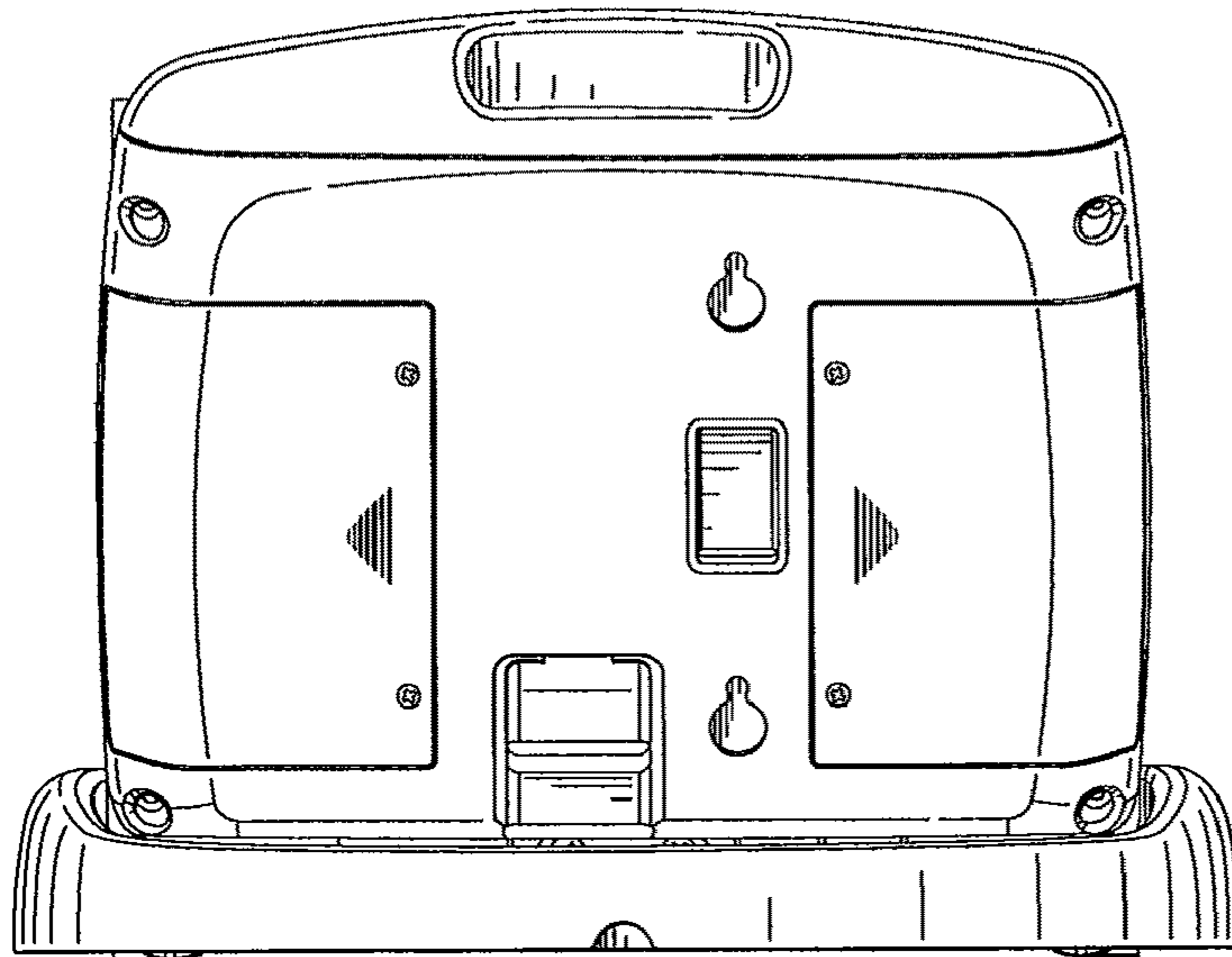


Fig. 5

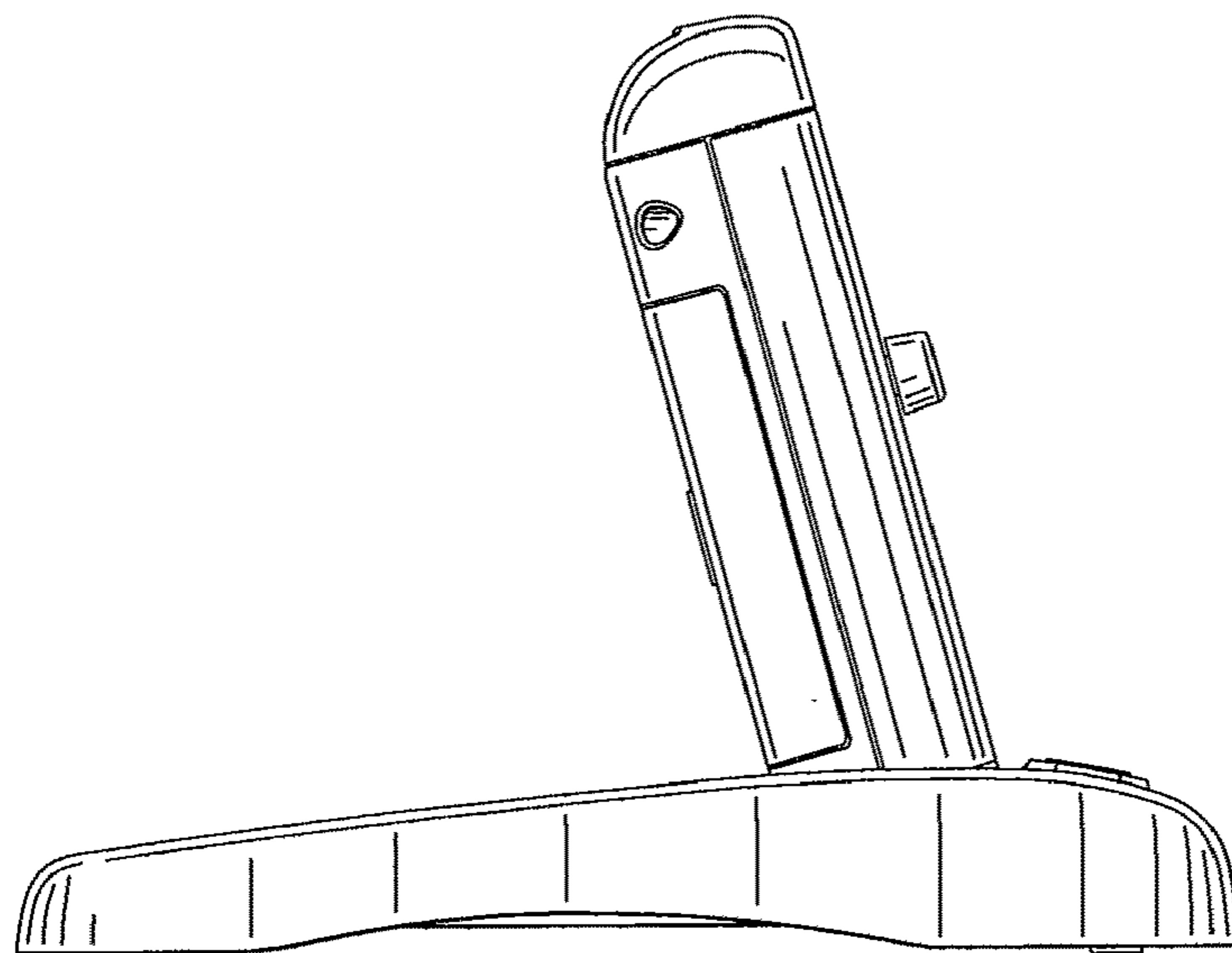


Fig. 6

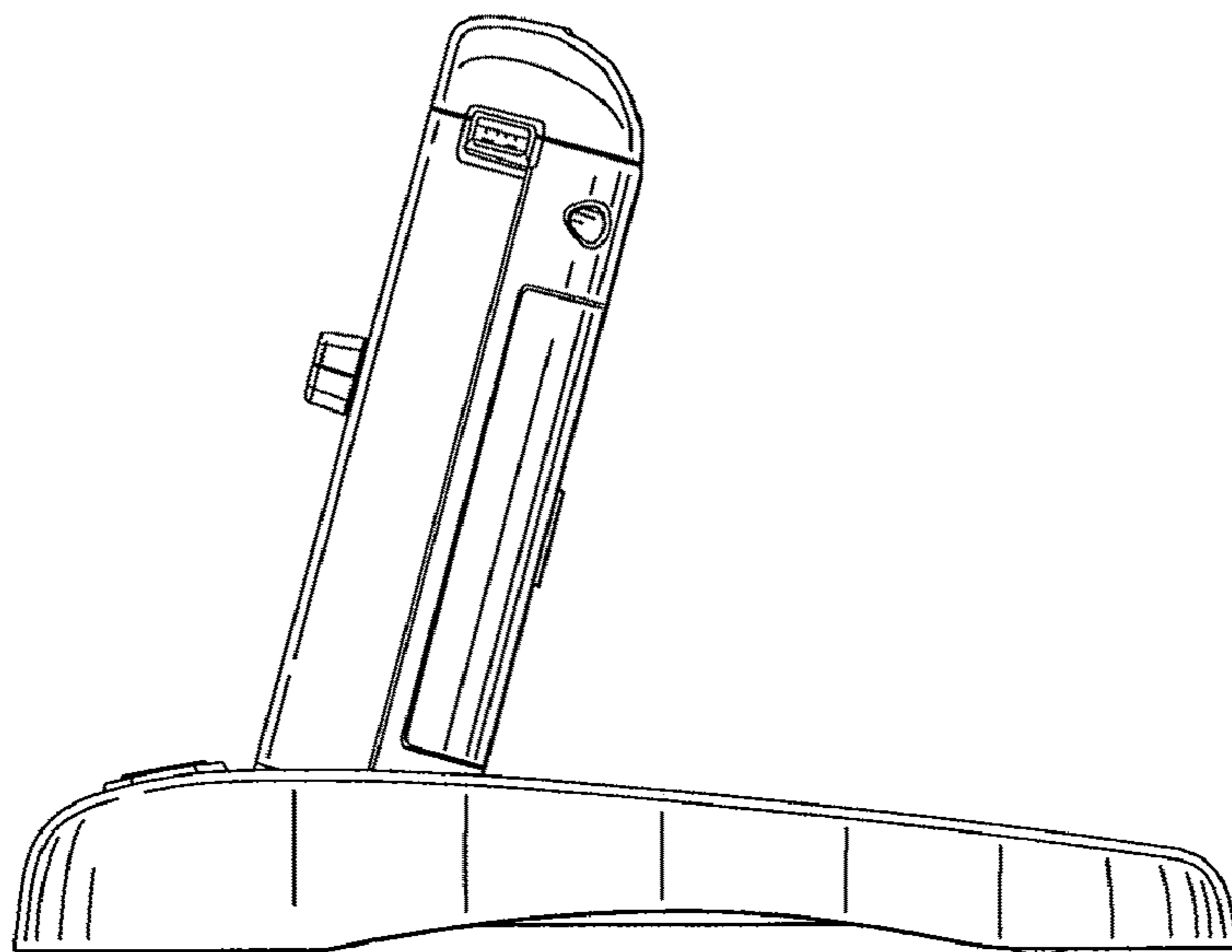


Fig. 7

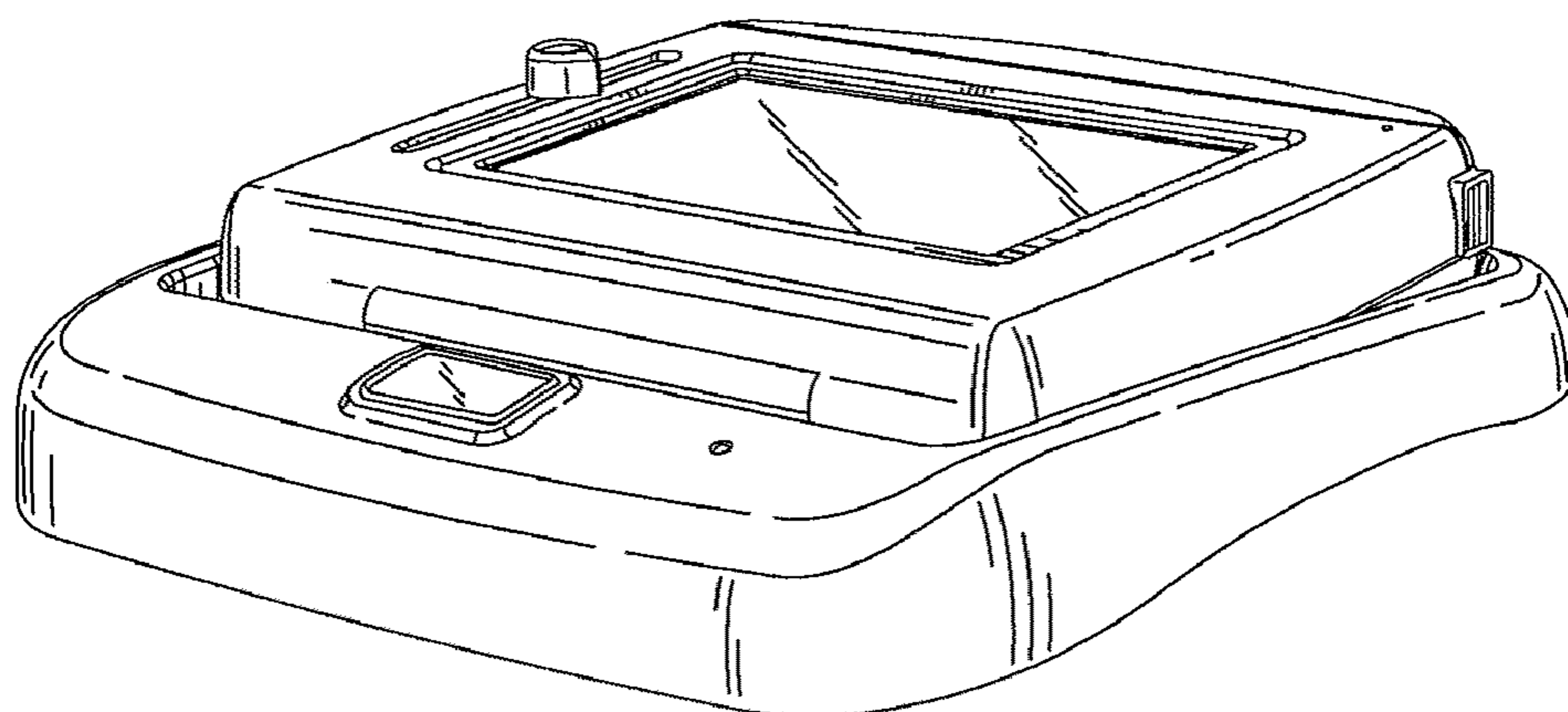


Fig. 8

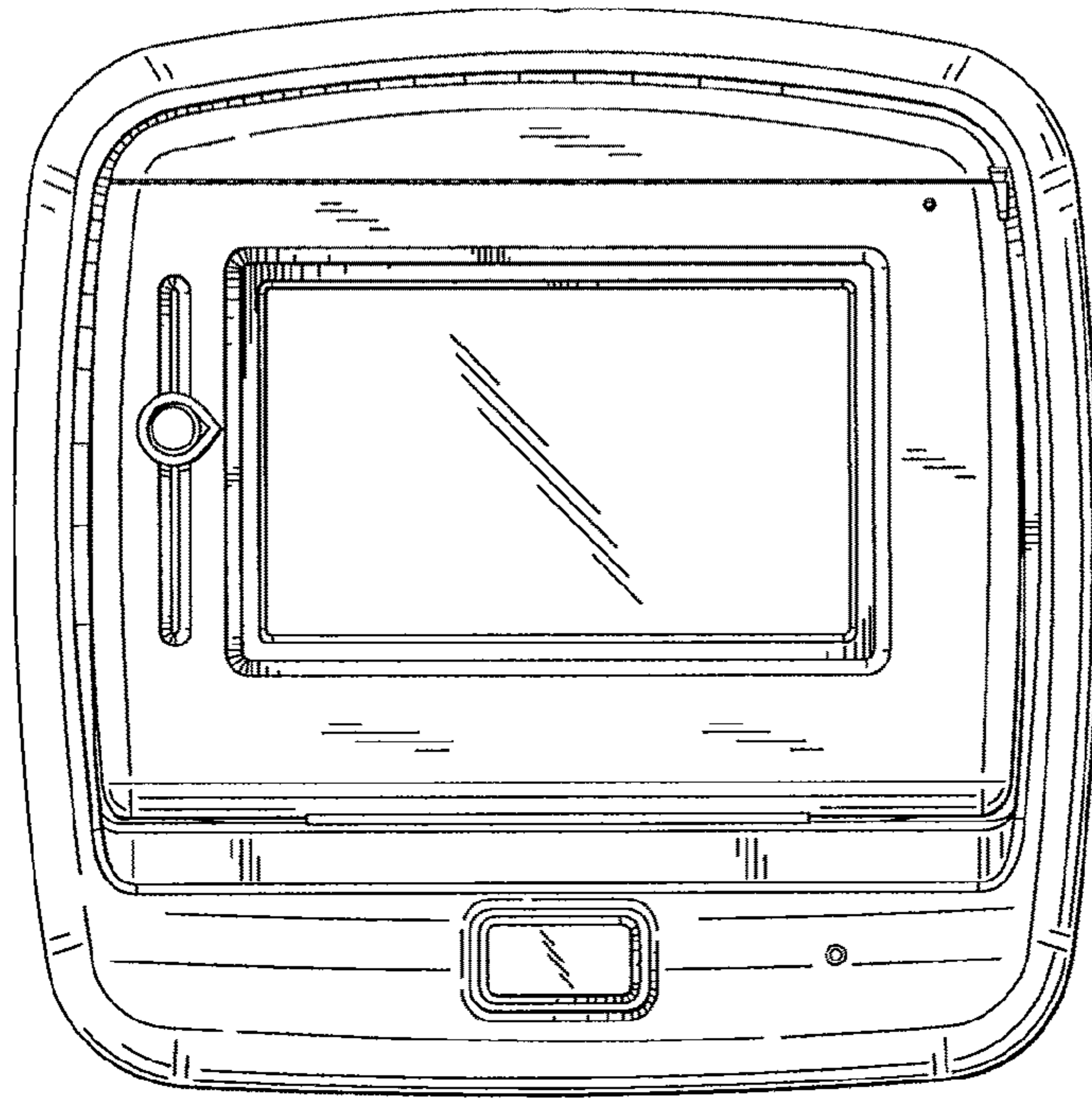


Fig. 9

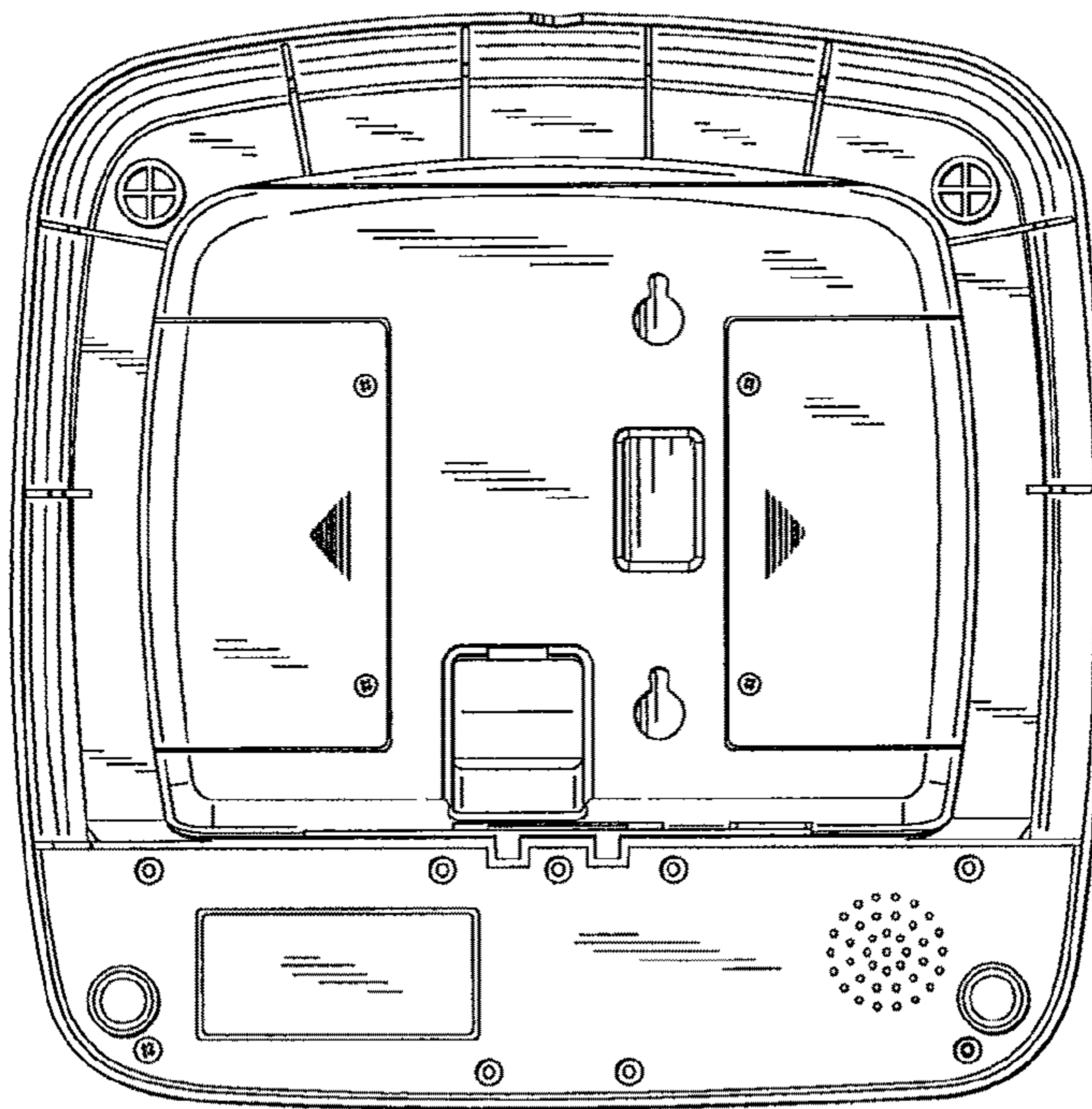


Fig. 10

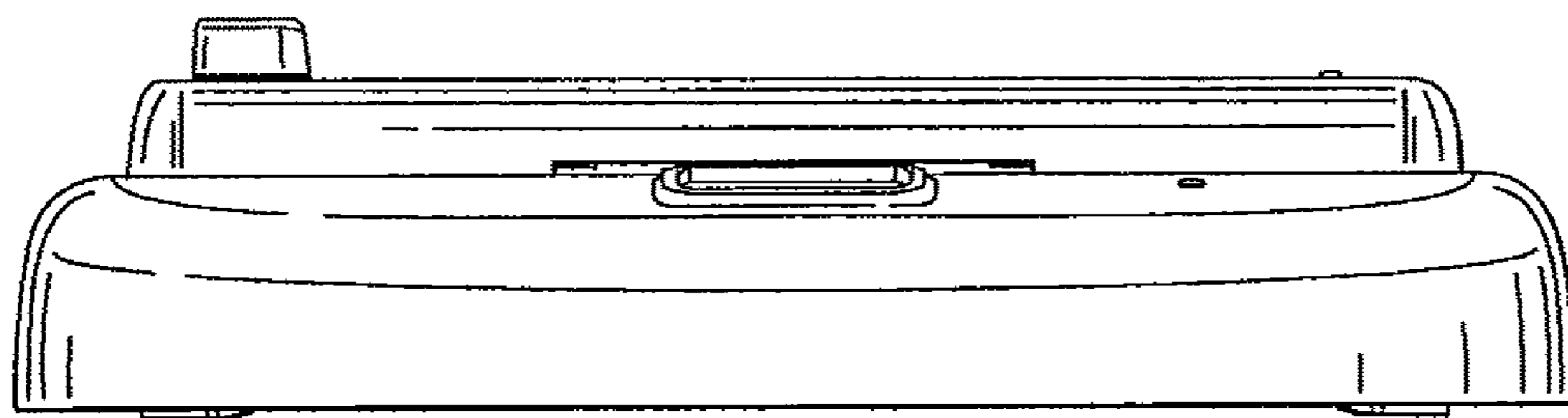


Fig. 11

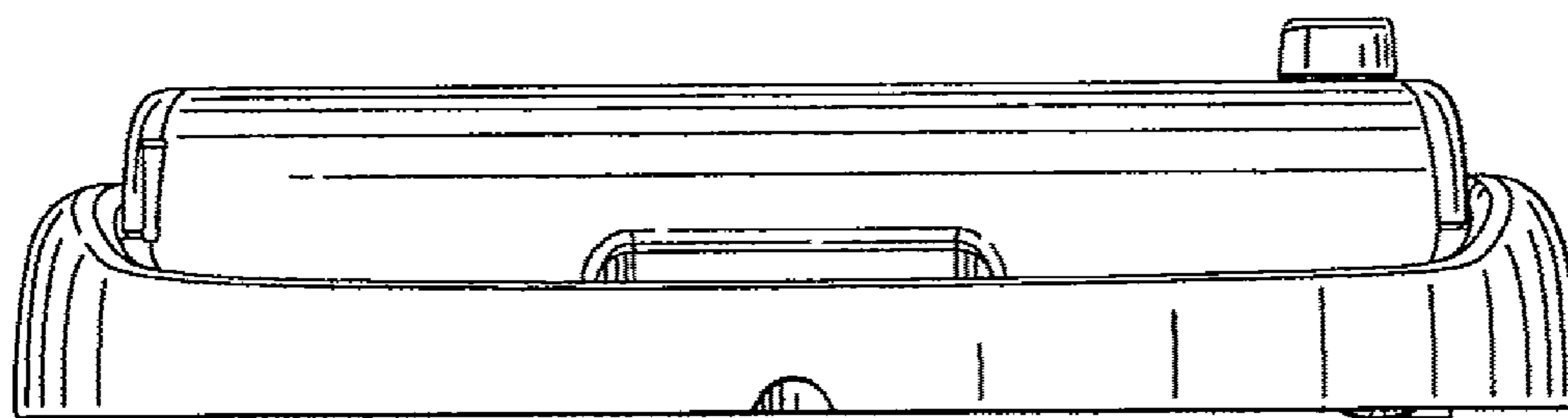


Fig. 12

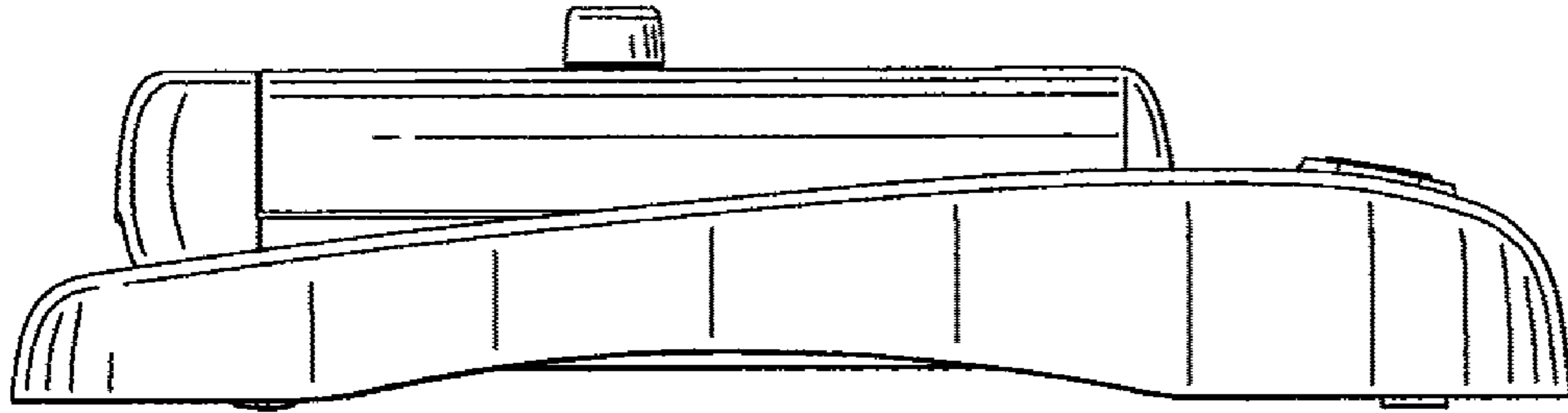


Fig. 13

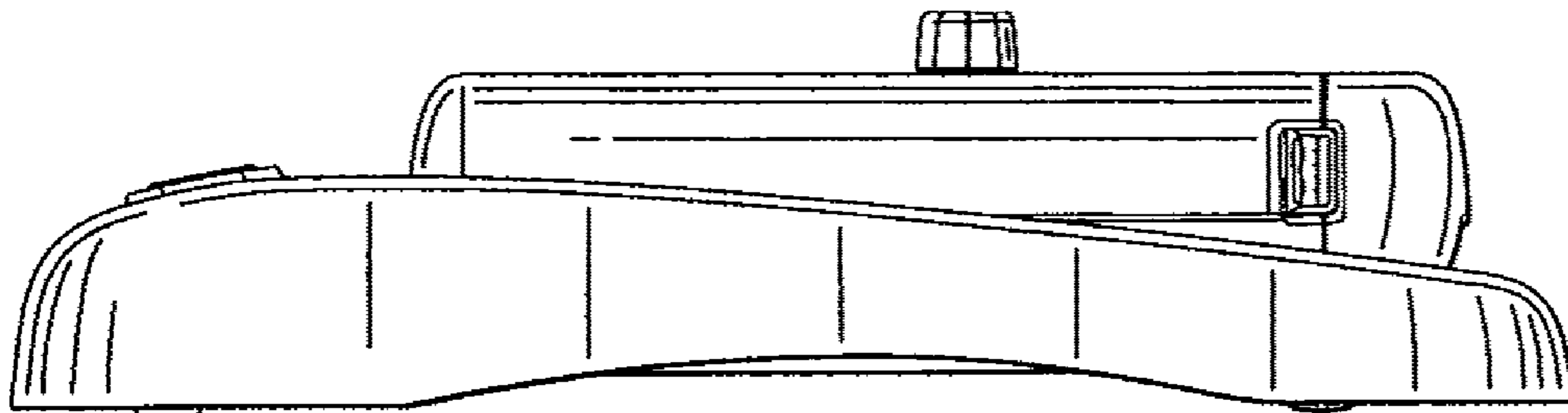


Fig. 14