



US00D640253S

(12) **United States Design Patent**
Sung

(10) **Patent No.:** **US D640,253 S**
(45) **Date of Patent:** **** Jun. 21, 2011**

(54) **FOLDABLE ELECTRONIC DEVICE**

(75) Inventor: **Yu-Chieh Sung**, Taipei (TW)

(73) Assignee: **Compal Electronics, Inc.**, Taipei (TW)

(**) Term: **14 Years**

(21) Appl. No.: **29/359,518**

(22) Filed: **Apr. 12, 2010**

(30) **Foreign Application Priority Data**

Feb. 11, 2010 (TW) 99300717

(51) **LOC (9) Cl.** **14-02**

(52) **U.S. Cl.** **D14/315**

(58) **Field of Classification Search** D14/315-327,
D14/331, 341, 345; D18/1, 2, 7; 345/1.1,
345/156, 168, 173; 361/679.01, 679.06,
361/679.08, 679.09, 679.15, 679.55

See application file for complete search history.

(56) **References Cited**

U.S. PATENT DOCUMENTS

D453,756 S *	2/2002	Kamegi	D14/318
D464,344 S *	10/2002	Jobs et al.	D14/318
D488,809 S *	4/2004	Kamegi	D14/318
D494,581 S *	8/2004	Araki	D14/318
D526,998 S *	8/2006	Kondo	D14/327

2003/0103324 A1 *	6/2003	Gallivan	361/681
2005/0083644 A1 *	4/2005	Song	361/683
2006/0038795 A1 *	2/2006	Lee	345/173

* cited by examiner

Primary Examiner — Freda S Nunn

(74) *Attorney, Agent, or Firm* — Jianq Chyun IP Office

(57) **CLAIM**

The ornamental design for a foldable electronic device, as shown and described.

DESCRIPTION

FIG. 1 is a perspective view of a foldable electronic device showing my new design, in closed condition.

FIG. 2 is a front view thereof, in closed condition.

FIG. 3 is a rear view thereof, in closed condition.

FIG. 4 is a left side view thereof, in closed condition.

FIG. 5 is a right side view thereof, in closed condition.

FIG. 6 is a top view thereof, in closed condition.

FIG. 7 is a bottom view thereof, in closed condition.

FIG. 8 is another perspective view thereof, in open condition.

FIG. 9 is a front view thereof, in open condition.

FIG. 10 is a rear view thereof, in open condition.

FIG. 11 is a left side view thereof, in open condition.

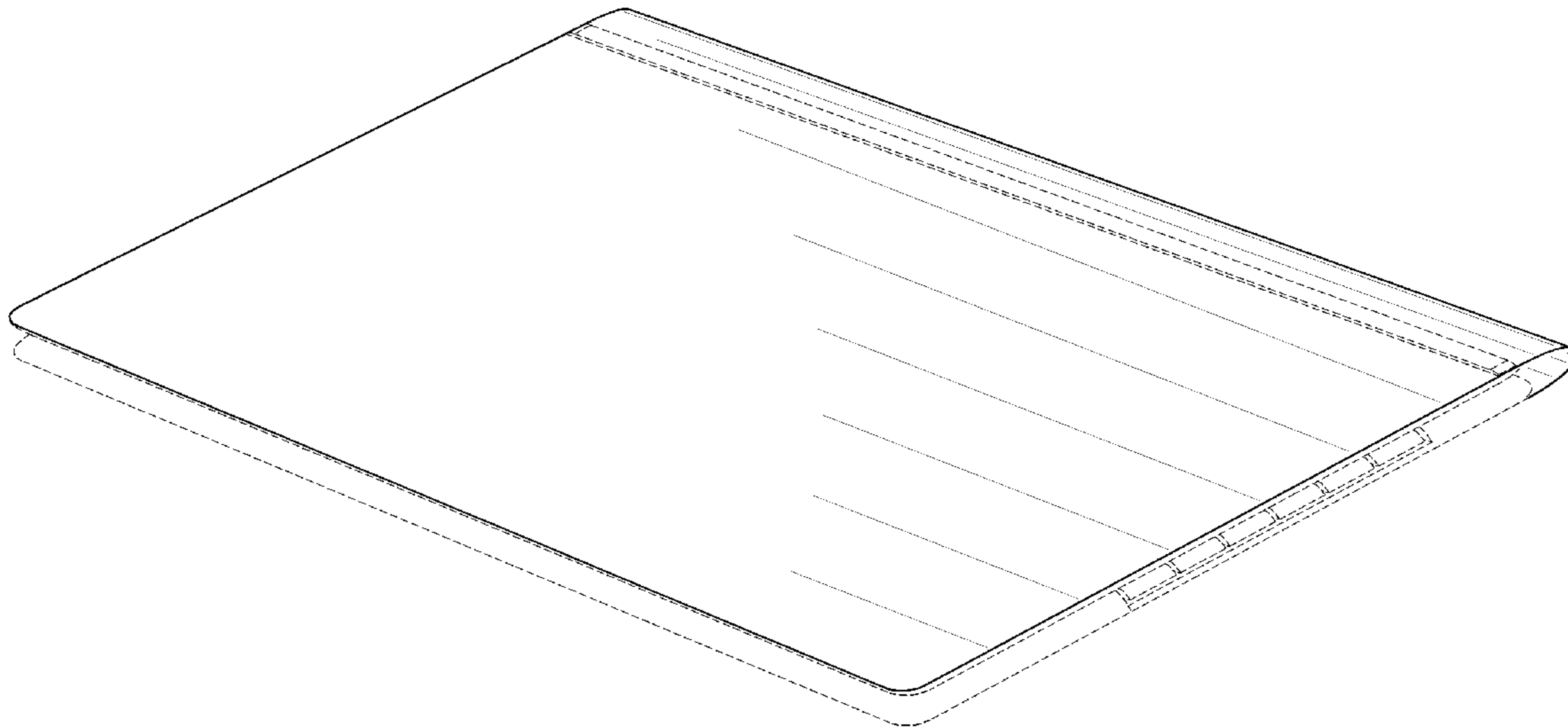
FIG. 12 is a right side view thereof, in open condition.

FIG. 13 is a top view thereof, in open condition; and,

FIG. 14 is a bottom view thereof, in open condition.

Broken lines shown in the drawings illustrate portions of the electronic device and form no part of the claimed design.

1 Claim, 12 Drawing Sheets



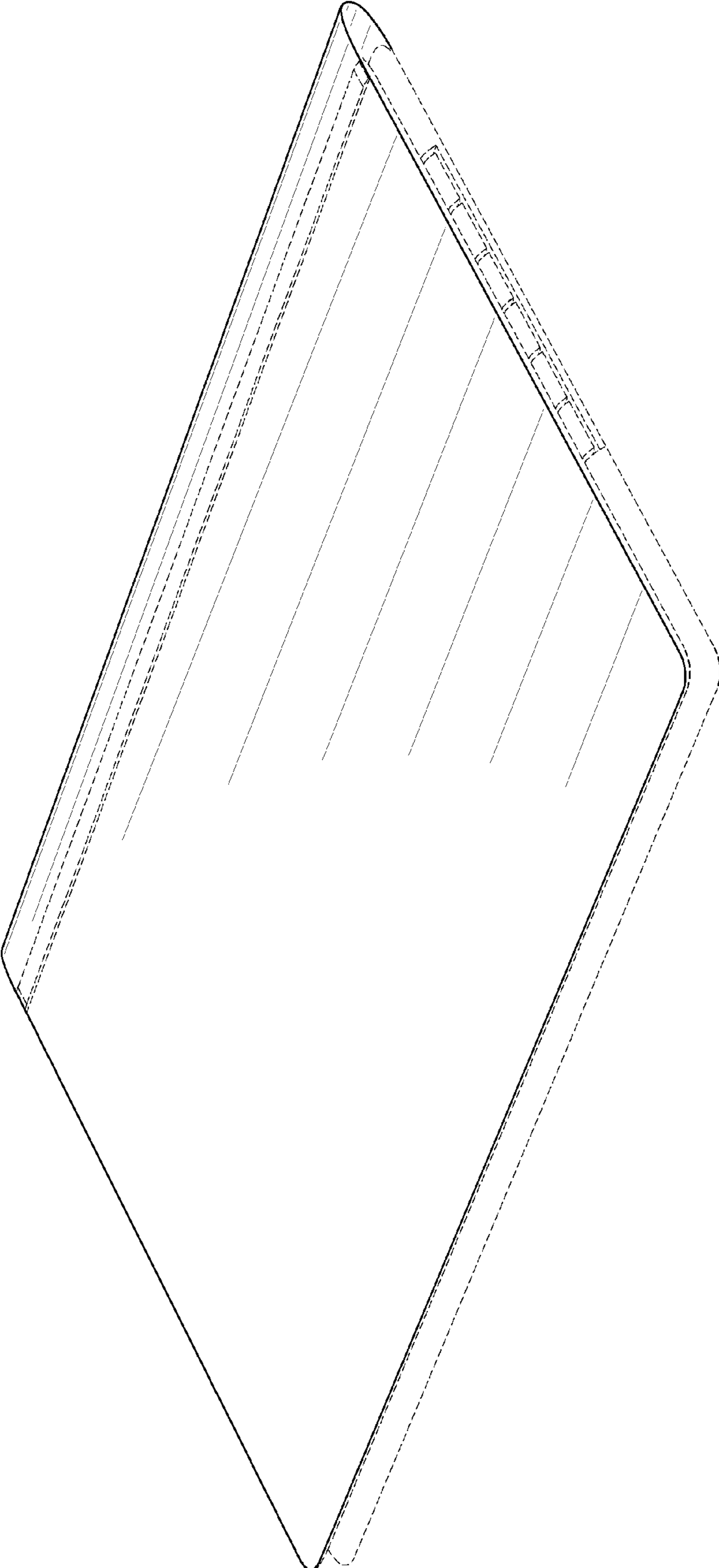


FIG. 1

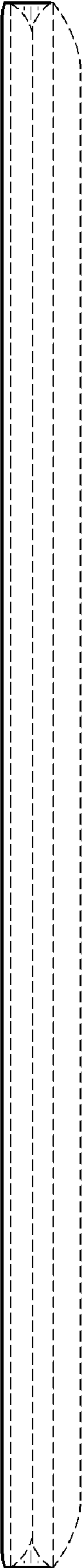


FIG. 2



FIG. 3

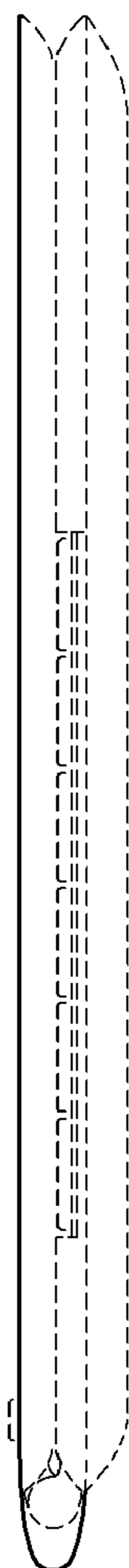


FIG. 4

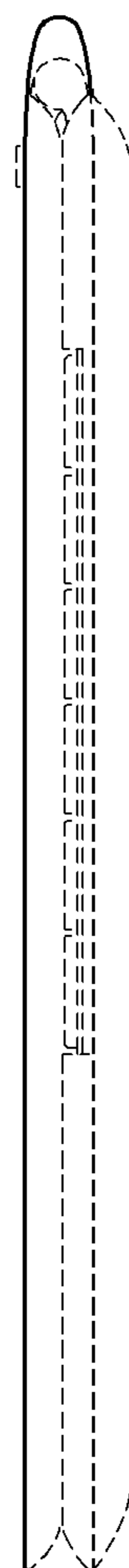


FIG. 5

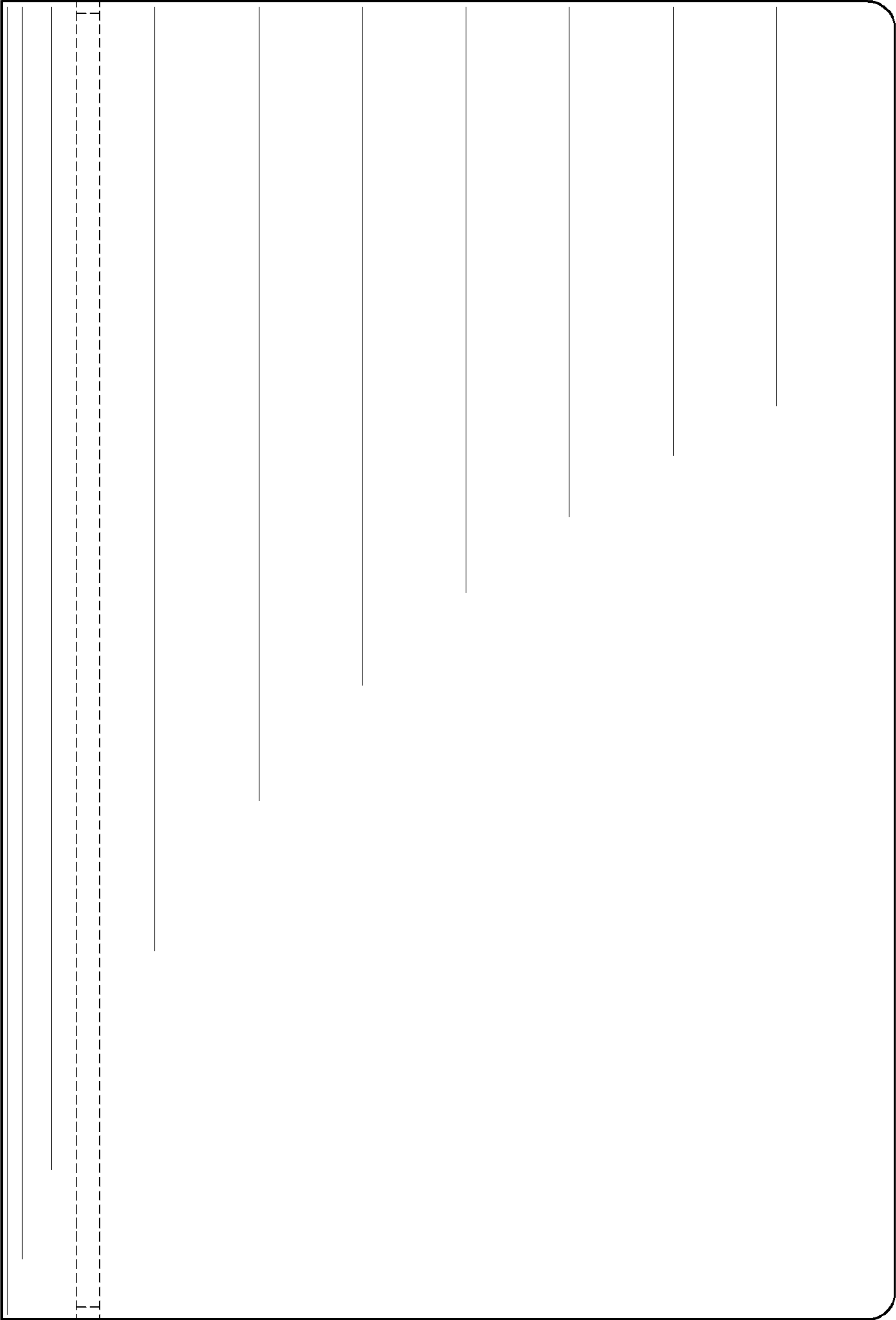


FIG. 6

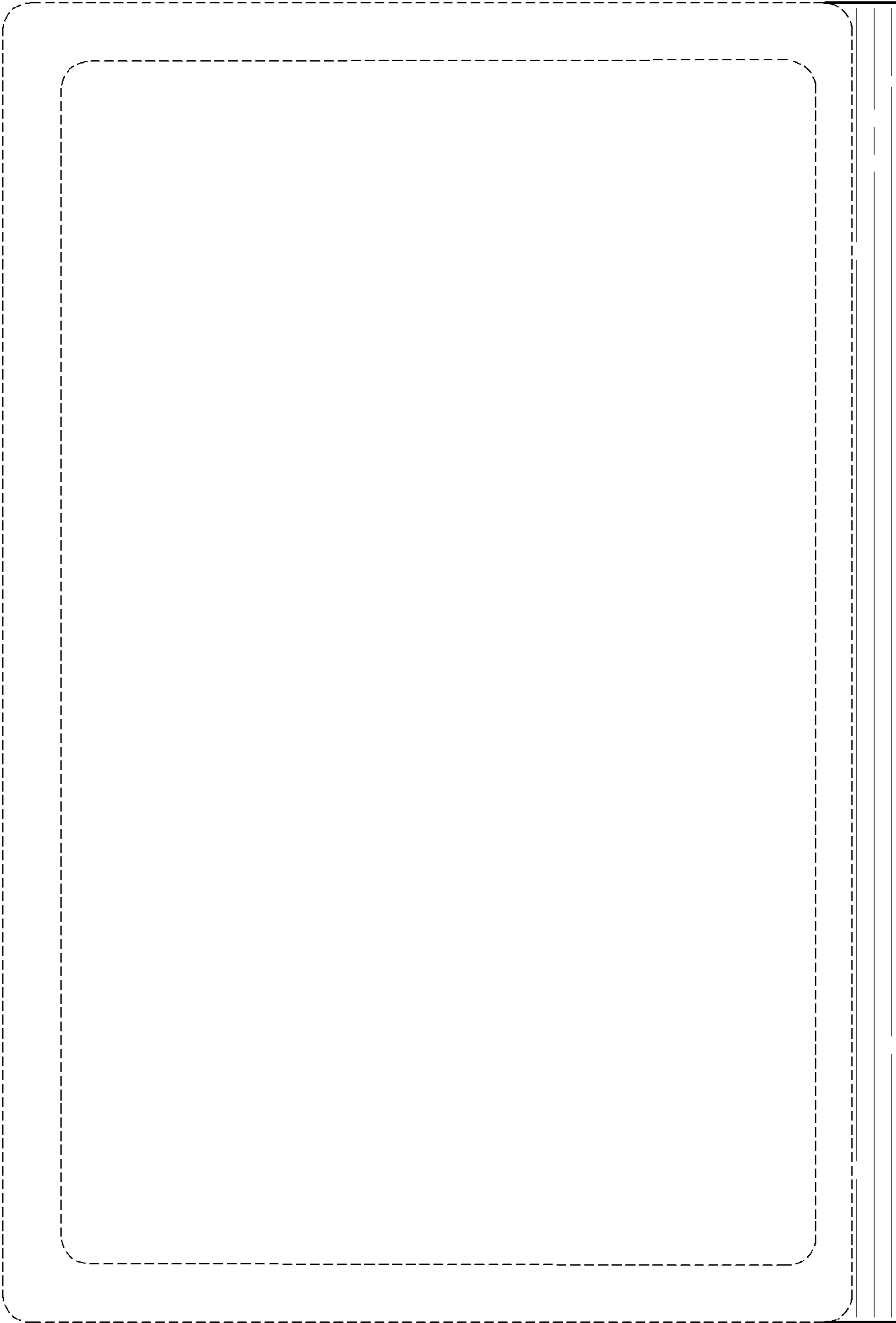


FIG. 7

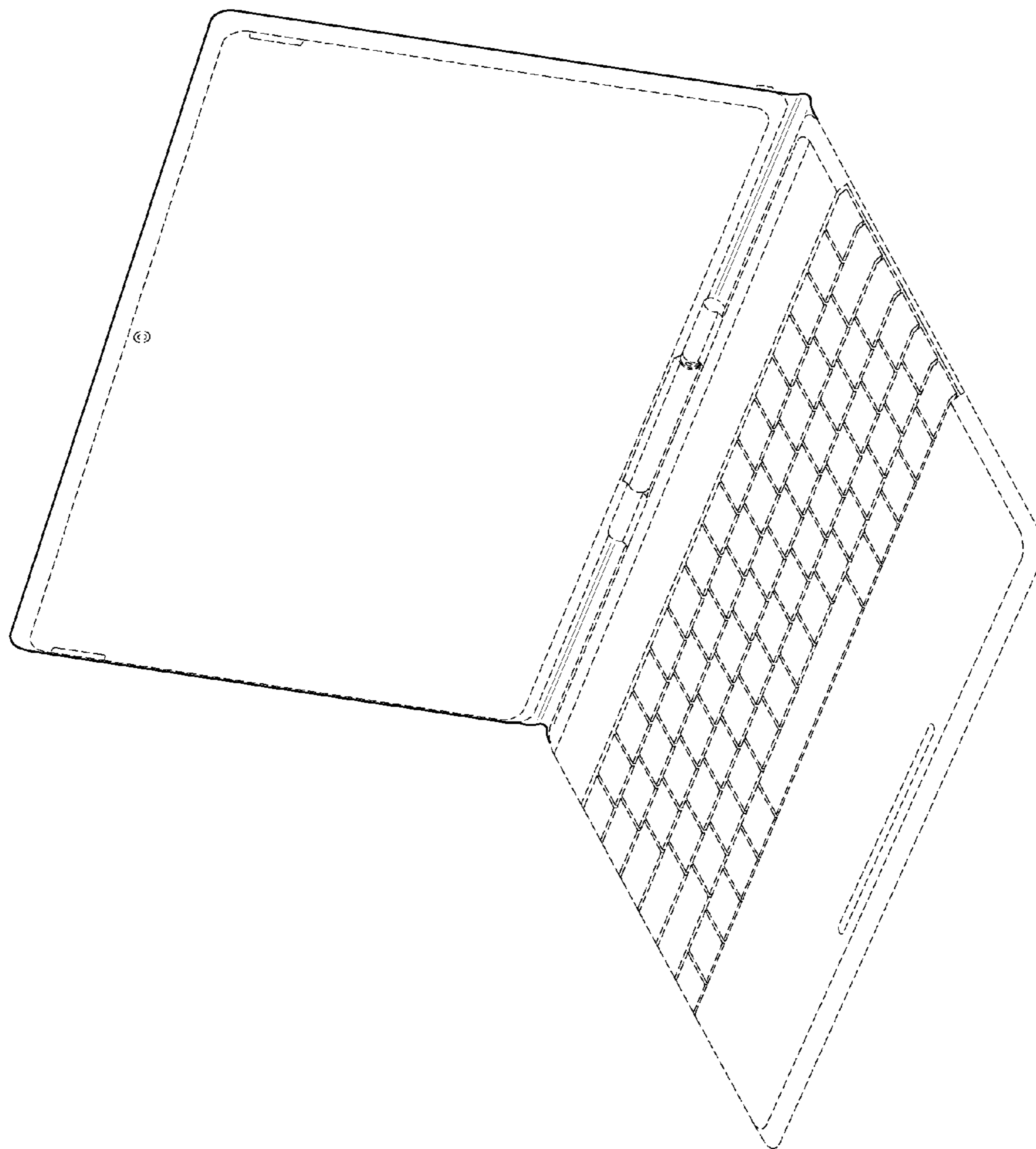


FIG. 8

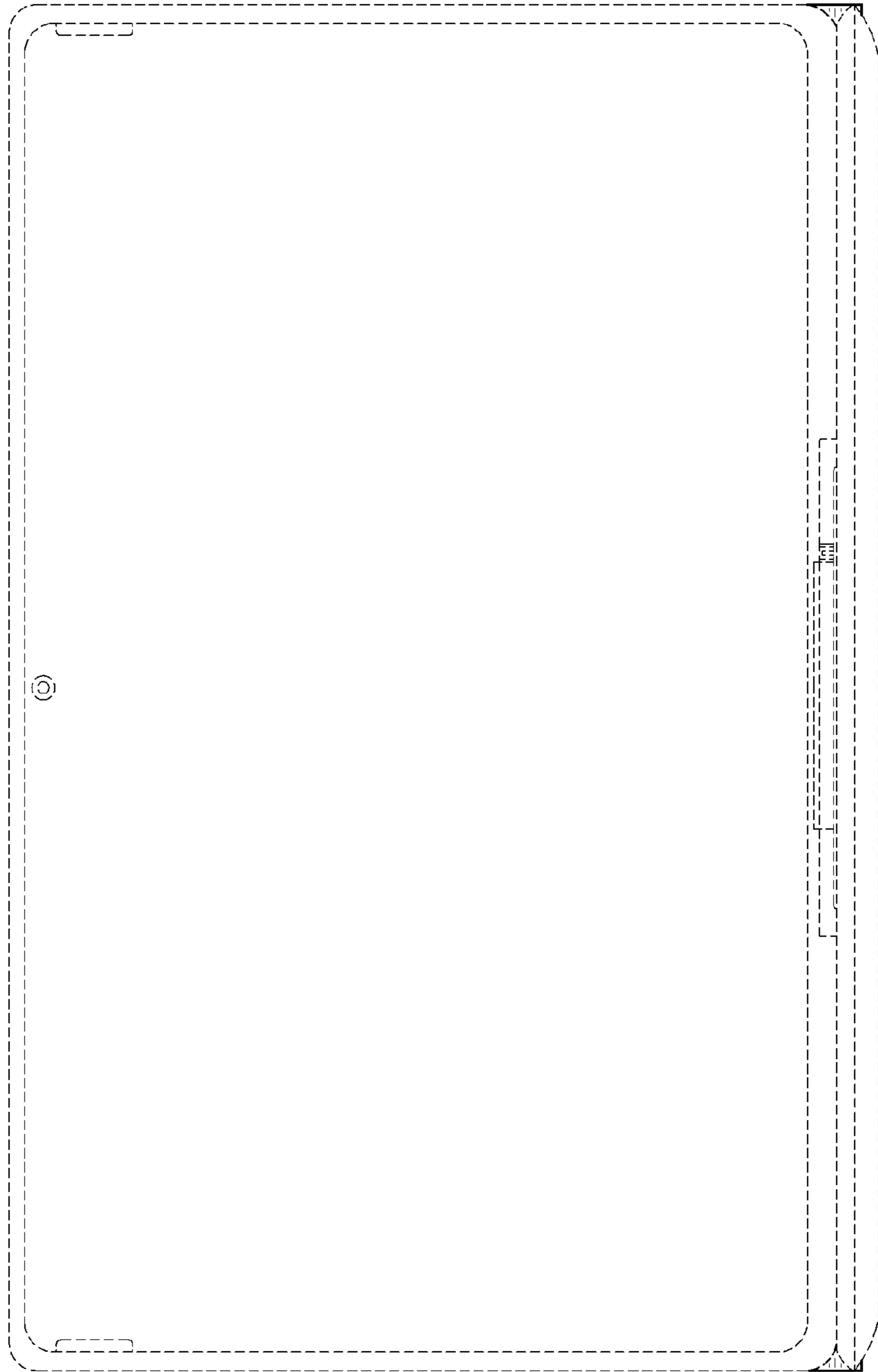


FIG. 9

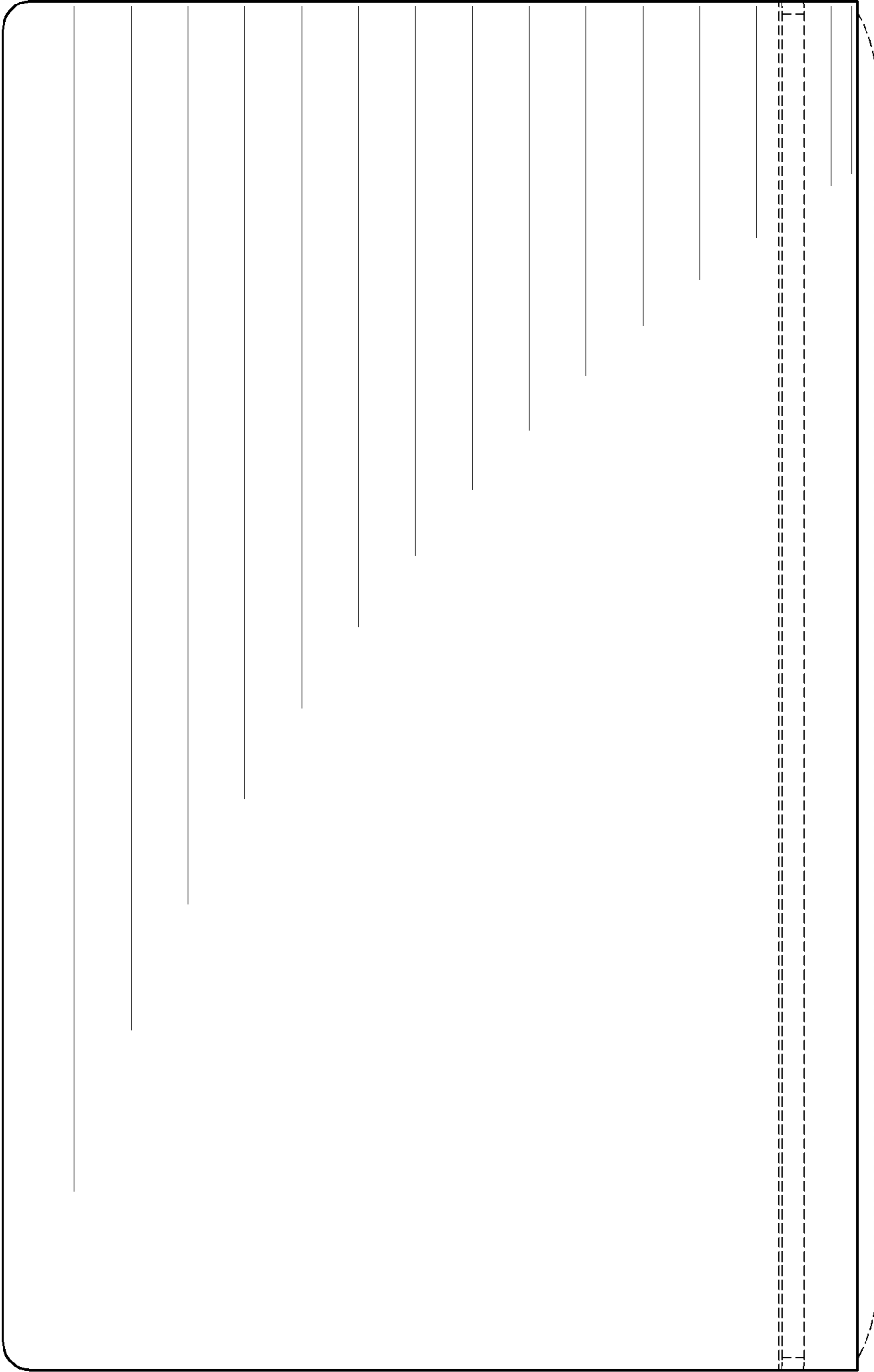


FIG. 10

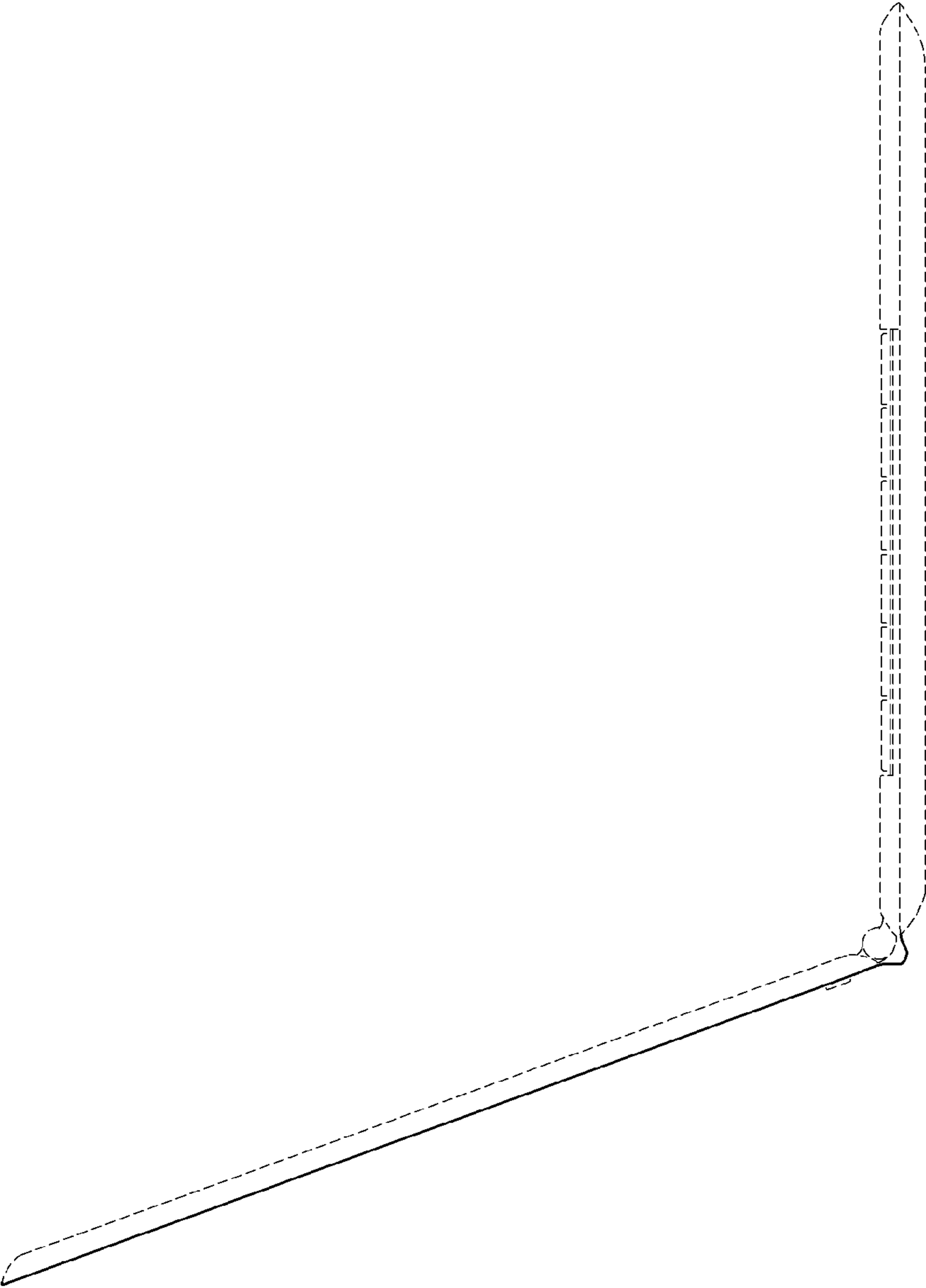


FIG. 11

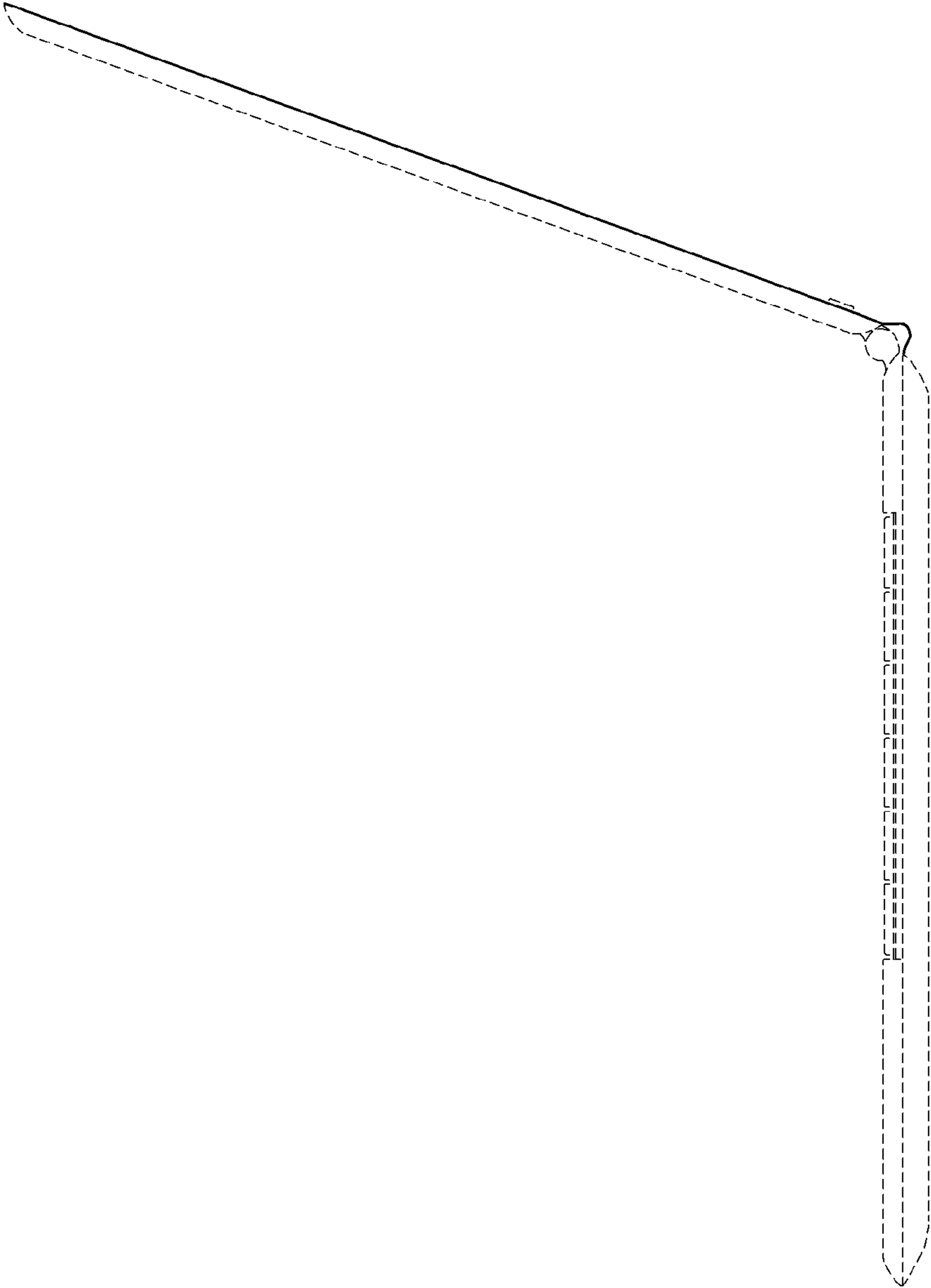


FIG. 12

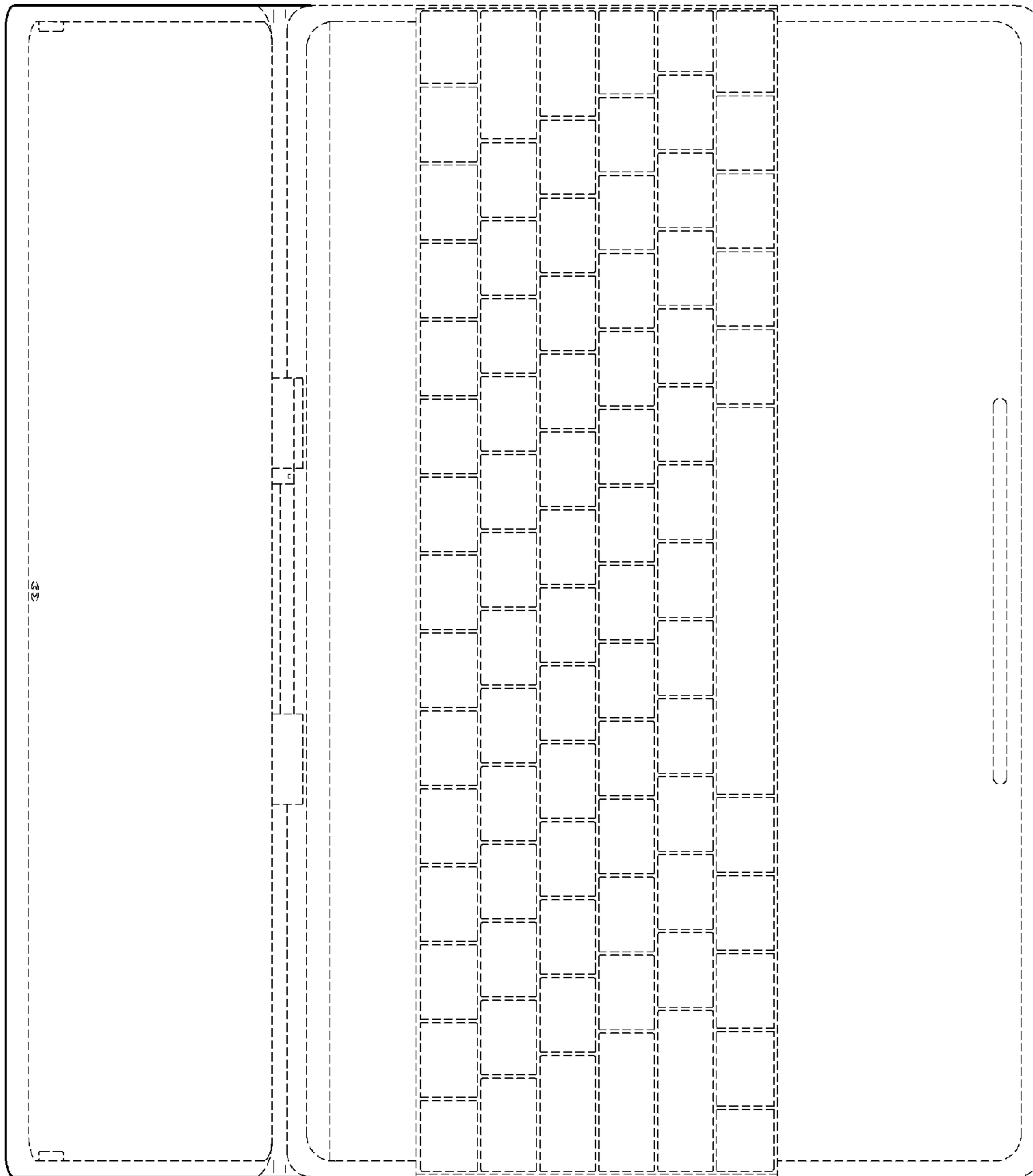


FIG. 13

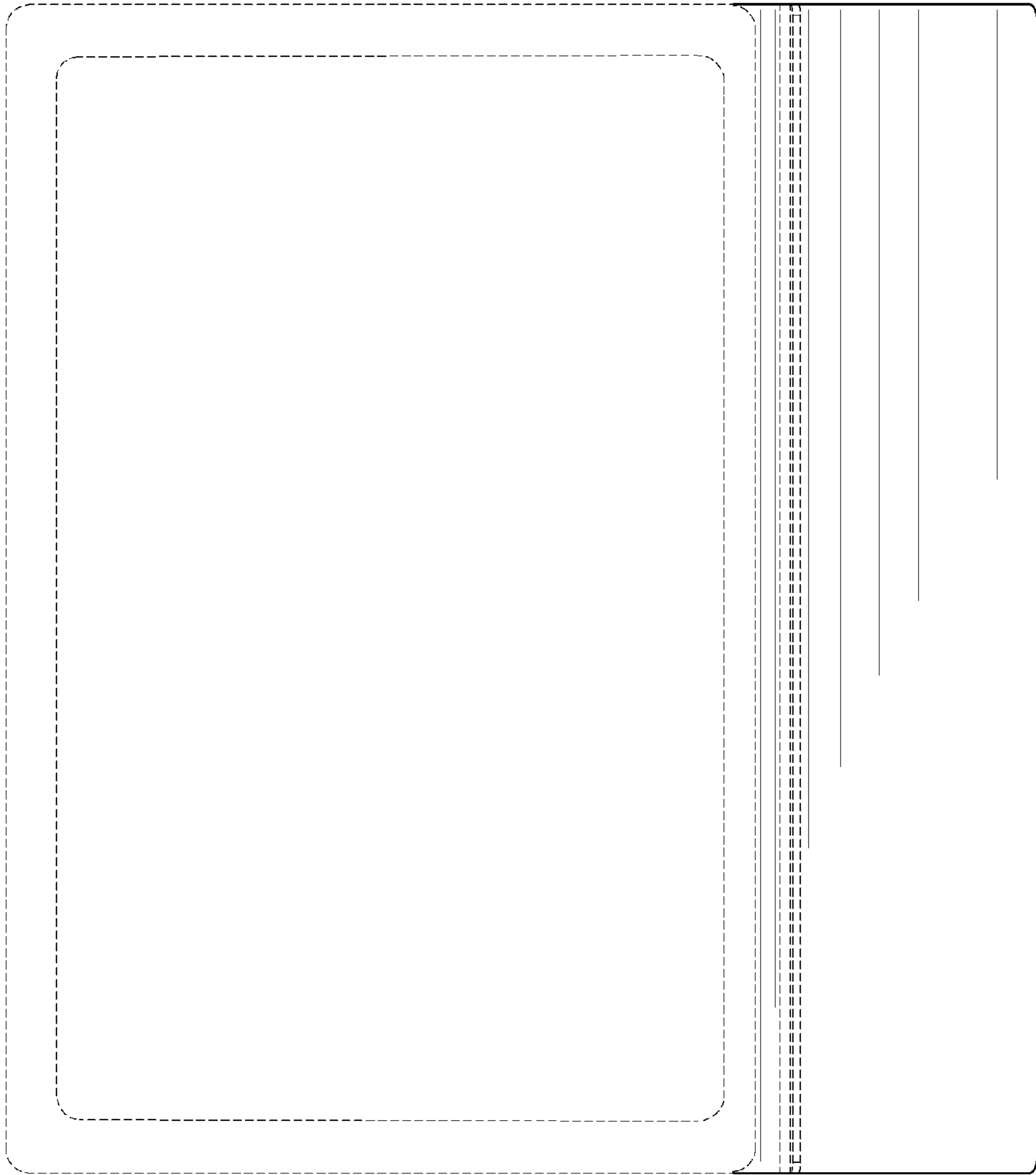


FIG. 14