



US00D640251S

(12) **United States Design Patent**  
**Sirotych**

(10) **Patent No.:** **US D640,251 S**  
(45) **Date of Patent:** **\*\* \*Jun. 21, 2011**

- (54) **TOUCH TABLE**
- (75) Inventor: **Roberto A. L. Sirotych**, Calgary (CA)
- (73) Assignee: **SMART Technologies ULC** (CA)
- (\*\*) Term: **14 Years**
- (21) Appl. No.: **29/325,320**
- (22) Filed: **Sep. 29, 2008**
- (51) **LOC (9) Cl.** ..... **14-02**
- (52) **U.S. Cl.** ..... **D14/305; D14/371**
- (58) **Field of Classification Search** ..... D14/300-308,  
D14/311, 312, 463, 371; D18/36-39; D16/221;  
355/18, 78, 82, 83, 113, 114, 68; 356/432,  
356/445; 358/475, 487; 705/36 R  
See application file for complete search history.

(56) **References Cited**

**U.S. PATENT DOCUMENTS**

D318,660 S \* 7/1991 Weber ..... D14/140.11  
(Continued)

**OTHER PUBLICATIONS**

Press Release Contact: Patricia Corsaut, "Intuilab introduces IntuiFace, An interactive table and its application Platform", Nov. 30, 2007, Intuilab Press Release.

(Continued)

*Primary Examiner* — Freda S Nunn

(74) *Attorney, Agent, or Firm* — Katten Muchin Rosenman LLP

(57) **CLAIM**

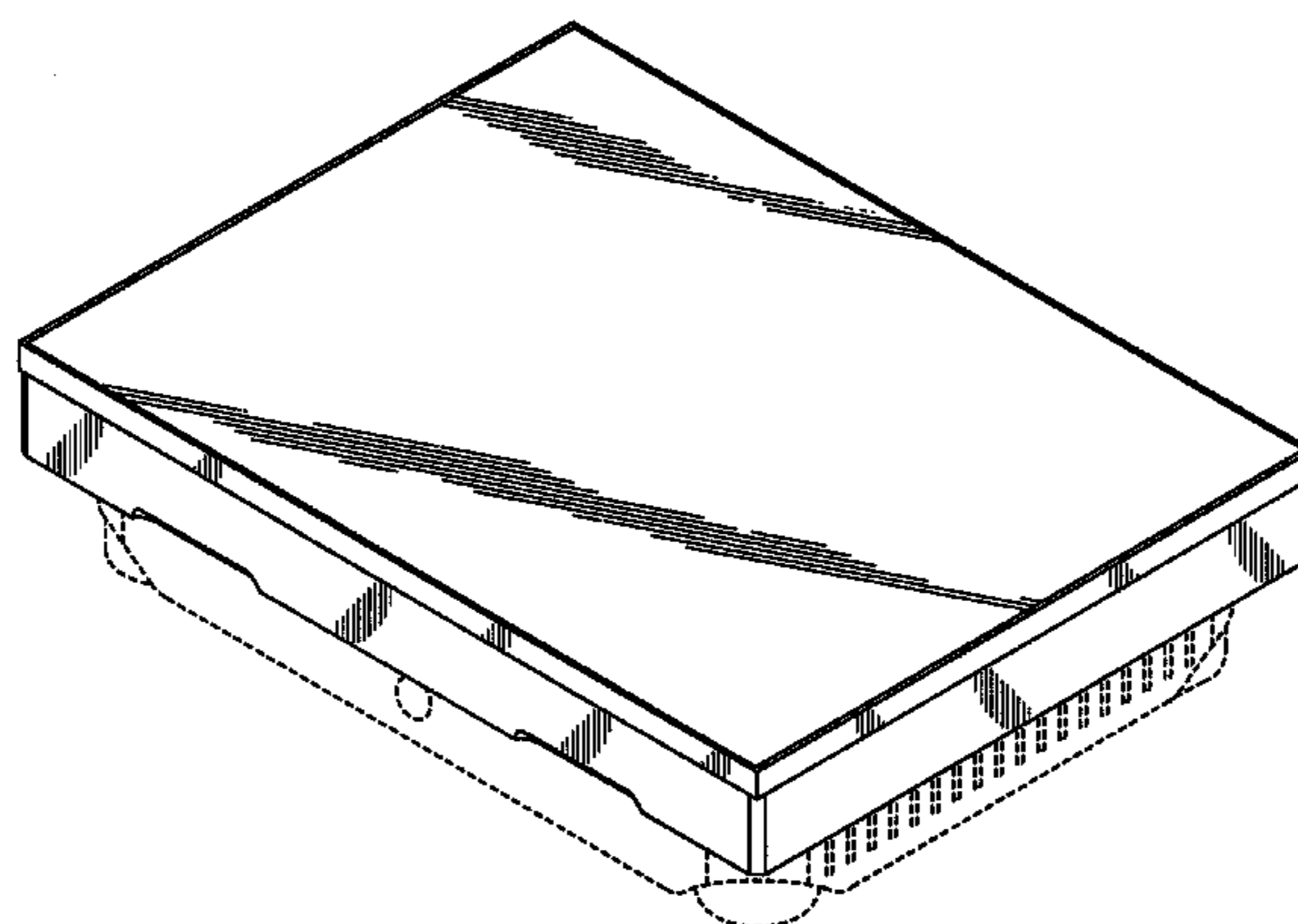
The ornamental design for a touch table, as shown and described.

**DESCRIPTION**

FIG. 1 is a perspective view of the touch table showing my new design;  
FIG. 2 is a top plan view of the touch table of FIG. 1;  
FIG. 3 is a side elevational view of the touch table of FIG. 1;

FIG. 4 is another side elevational view of the touch table of FIG. 1;  
FIG. 5 is another perspective view of the touch table of FIG. 1;  
FIG. 6 is yet another perspective view of the touch table of FIG. 1;  
FIG. 7 is a perspective view of another embodiment of the touch table showing my new design;  
FIG. 8 is a top plan view of the touch table of FIG. 7;  
FIG. 9 is a side elevational view of the touch table of FIG. 7;  
FIG. 10 is another side elevational view of the touch table of FIG. 7;  
FIG. 11 is yet another side elevational view of the touch table of FIG. 7;  
FIG. 12 is still yet another side elevational view of the touch table of FIG. 7;  
FIG. 13 is another perspective view of the touch table of FIG. 7;  
FIG. 14 is yet another perspective view of the touch table of FIG. 7;  
FIG. 15 is a perspective view of another embodiment of the touch table showing my new design;  
FIG. 16 is a top plan view of the touch table of FIG. 15;  
FIG. 17 is a side elevational view of the touch table of FIG. 15;  
FIG. 18 is another side elevational view of the touch table of FIG. 15;  
FIG. 19 is yet another side elevational view of the touch table of FIG. 15;  
FIG. 20 is still yet another side elevational view of the touch table of FIG. 15;  
FIG. 21 is another perspective view of the touch table of FIG. 15;  
FIG. 22 is yet another perspective view of the touch table of FIG. 15;  
FIG. 23 is a perspective view of the touch table showing my new design;  
FIG. 24 is a top plan view of the touch table of FIG. 23;  
FIG. 25 is a side elevational view of the touch table of FIG. 23;  
FIG. 26 is another side elevational view of the touch table of FIG. 23;  
FIG. 27 is another perspective view of the touch table of FIG. 23; and,  
FIG. 28 is yet another perspective view of the touch table of FIG. 23.  
Broken lines shown in the drawings illustrate portions of the touch table and form no part of the claimed design.

**1 Claim, 22 Drawing Sheets**



U.S. PATENT DOCUMENTS

D353,368 S \* 12/1994 Poulos ..... D14/305  
D372,601 S \* 8/1996 Roberts et al. .... D6/422  
D462,346 S \* 9/2002 Abboud ..... D14/304  
D462,678 S \* 9/2002 Abboud ..... D14/304  
6,867,886 B2 \* 3/2005 Lassen ..... 358/487  
D571,365 S \* 6/2008 Morelock et al. .... D14/371  
D571,803 S \* 6/2008 Morelock et al. .... D14/371  
D571,804 S \* 6/2008 Morelock et al. .... D14/371

OTHER PUBLICATIONS

Overview page for IntuiFace by IntuiLab, Copyright 2008.  
Jacob O. Wobbrock et al., "User-Defined Gestures for Surface Computing", CHI 2009, Apr. 4-9, 2009, Boston, Massachusetts, USA.  
Martin Kaltenbrunner and Ross Bencina, "reactIVision 1.4", Released May 19, 2009 (ReacTIVision 1.0 was released Nov. 29, 2005), retrieved from <<http://reactivision.sourceforge.net/#usage>> on Dec. 15, 2009.

\* cited by examiner

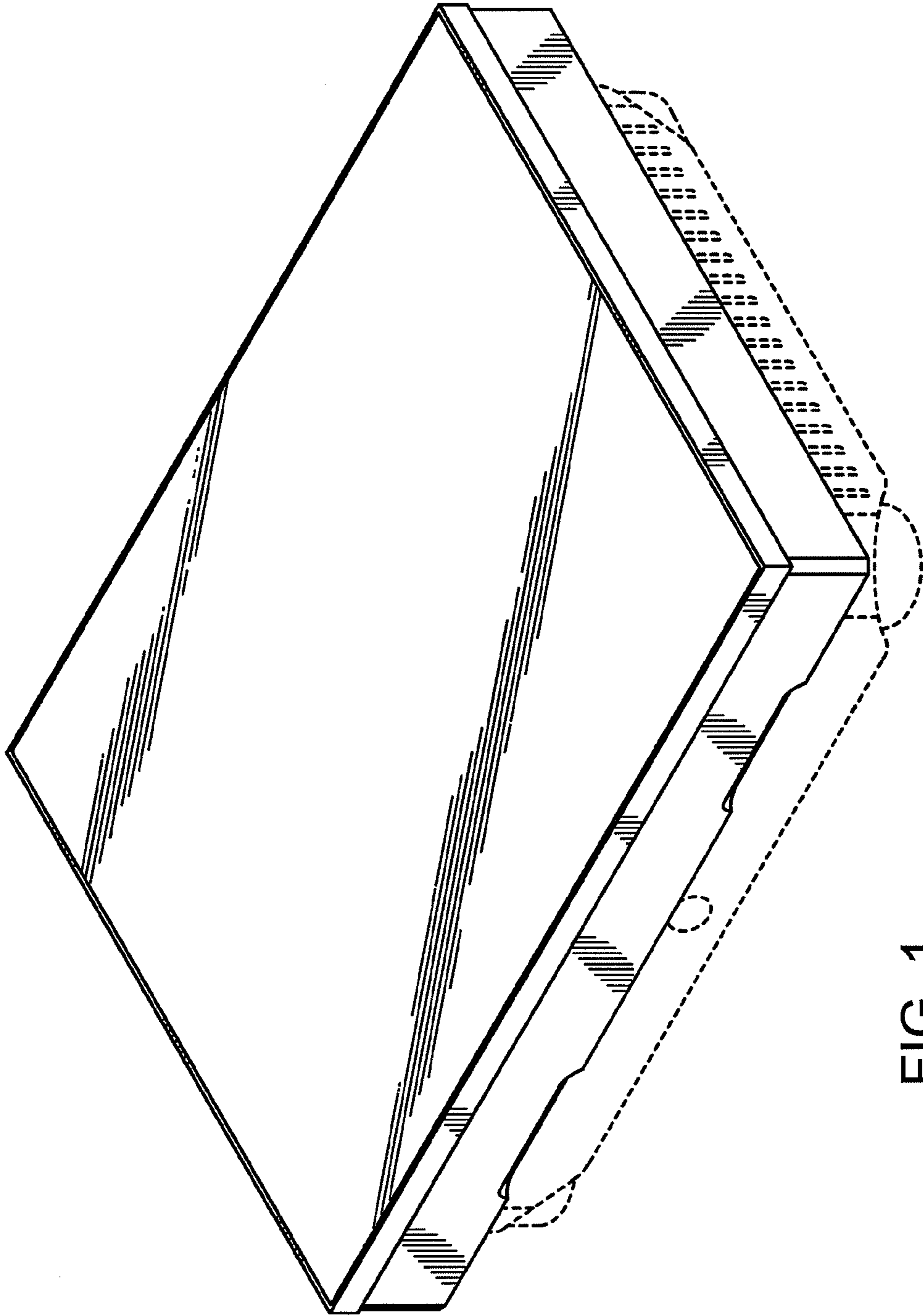


FIG. 1

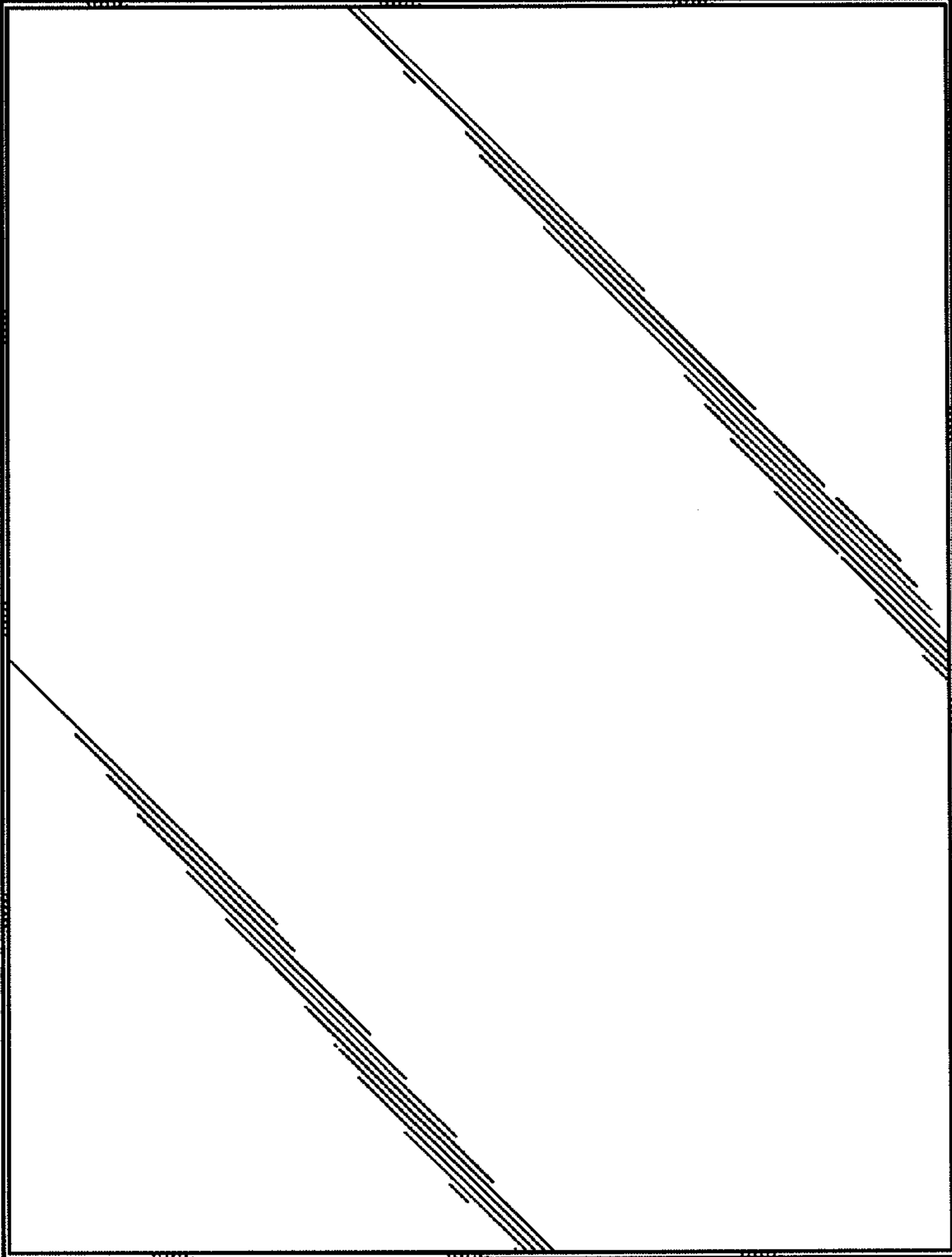


FIG. 2

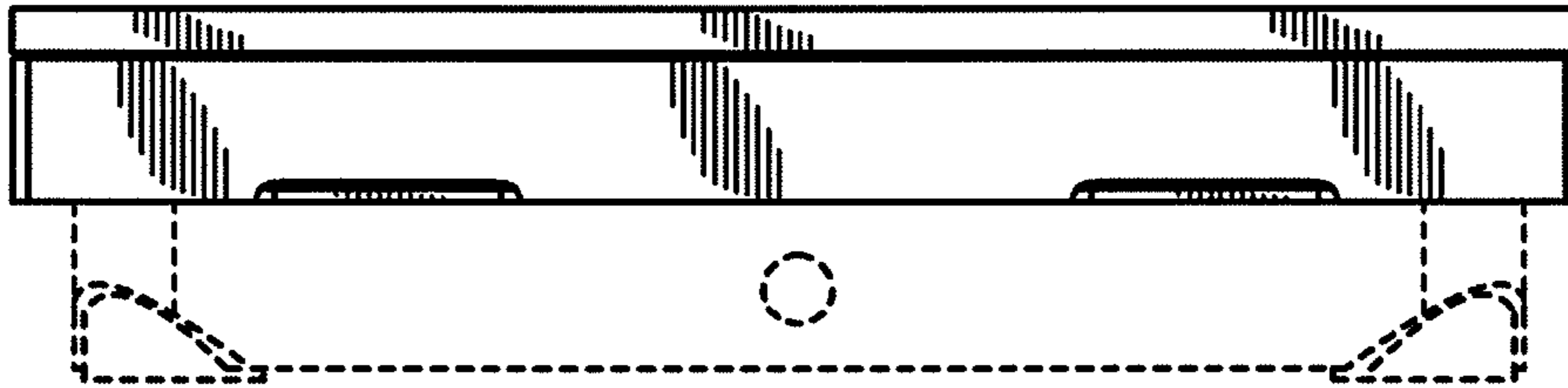


FIG. 3

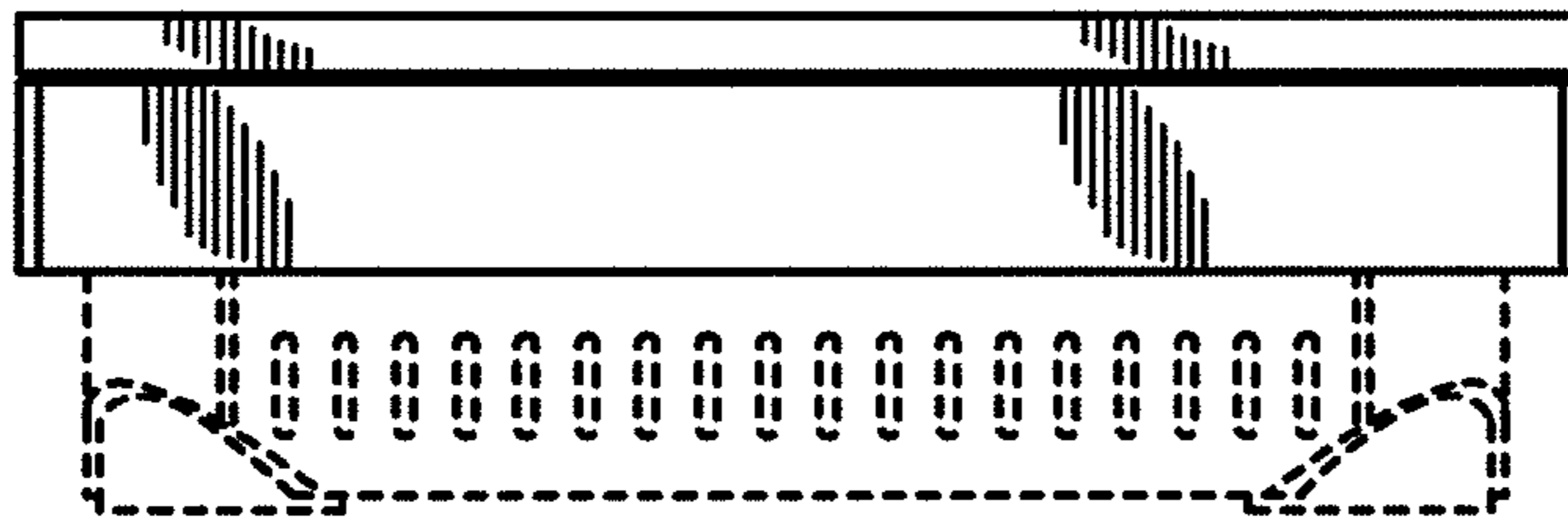


FIG. 4



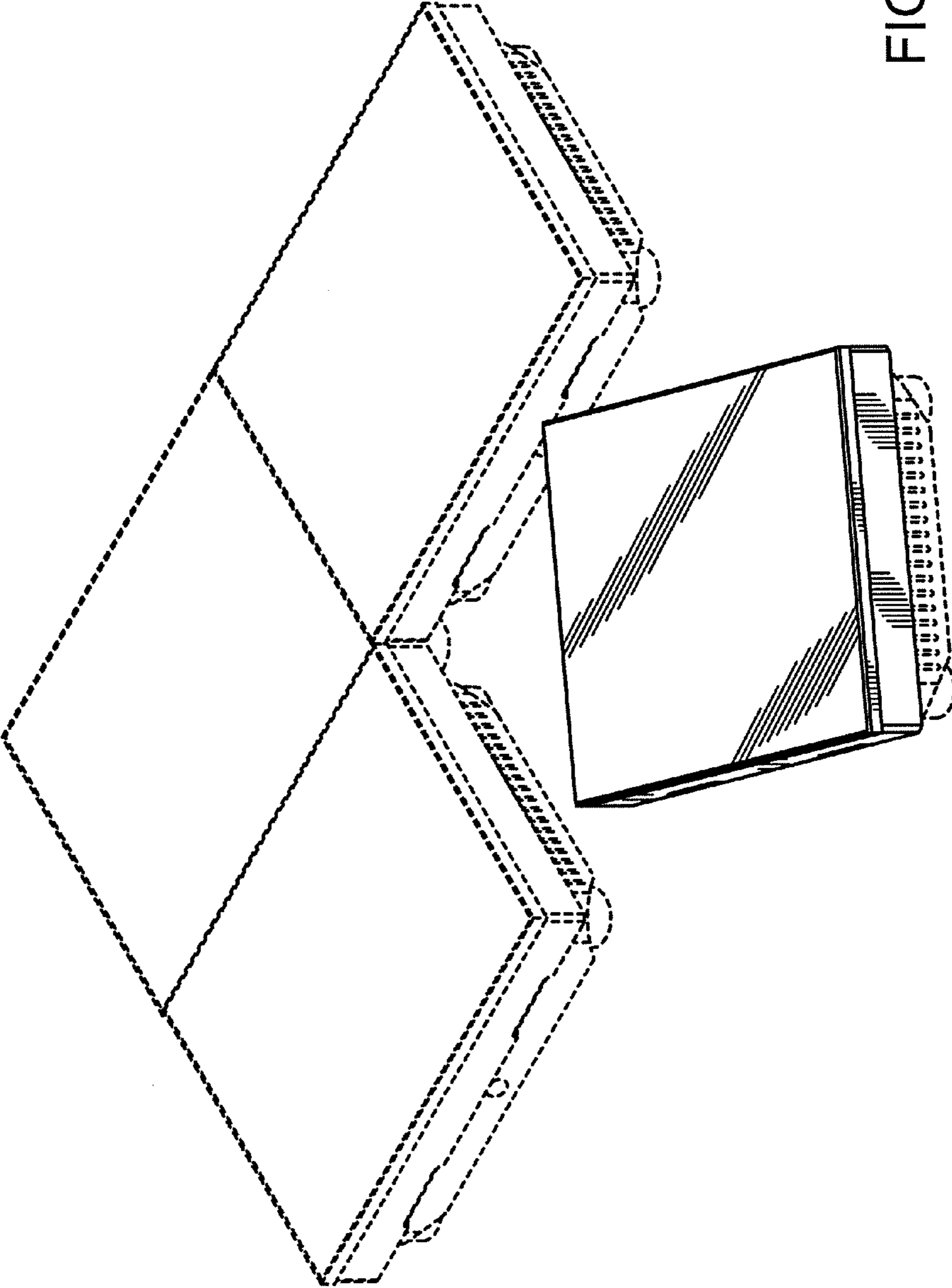


FIG. 5

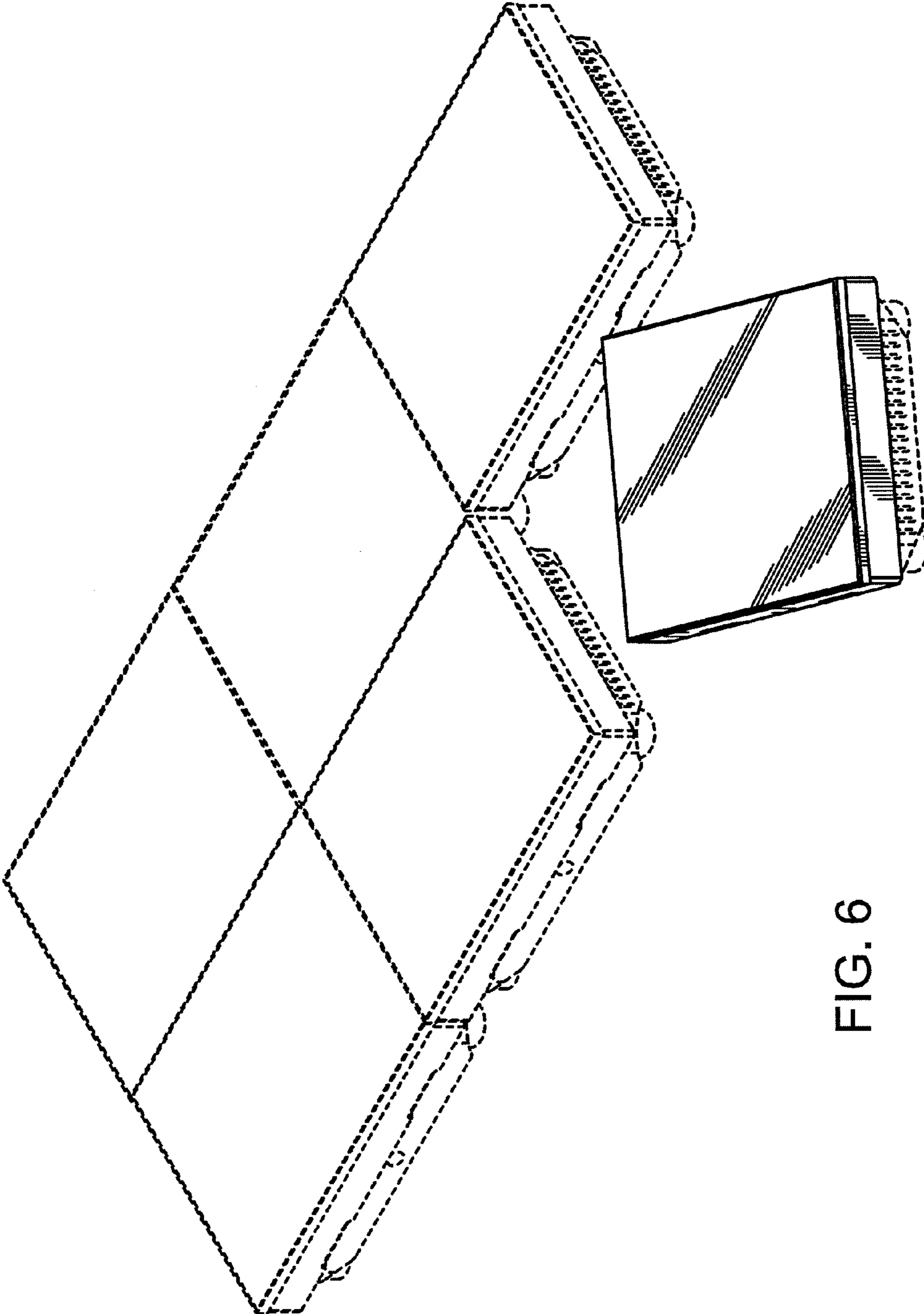


FIG. 6

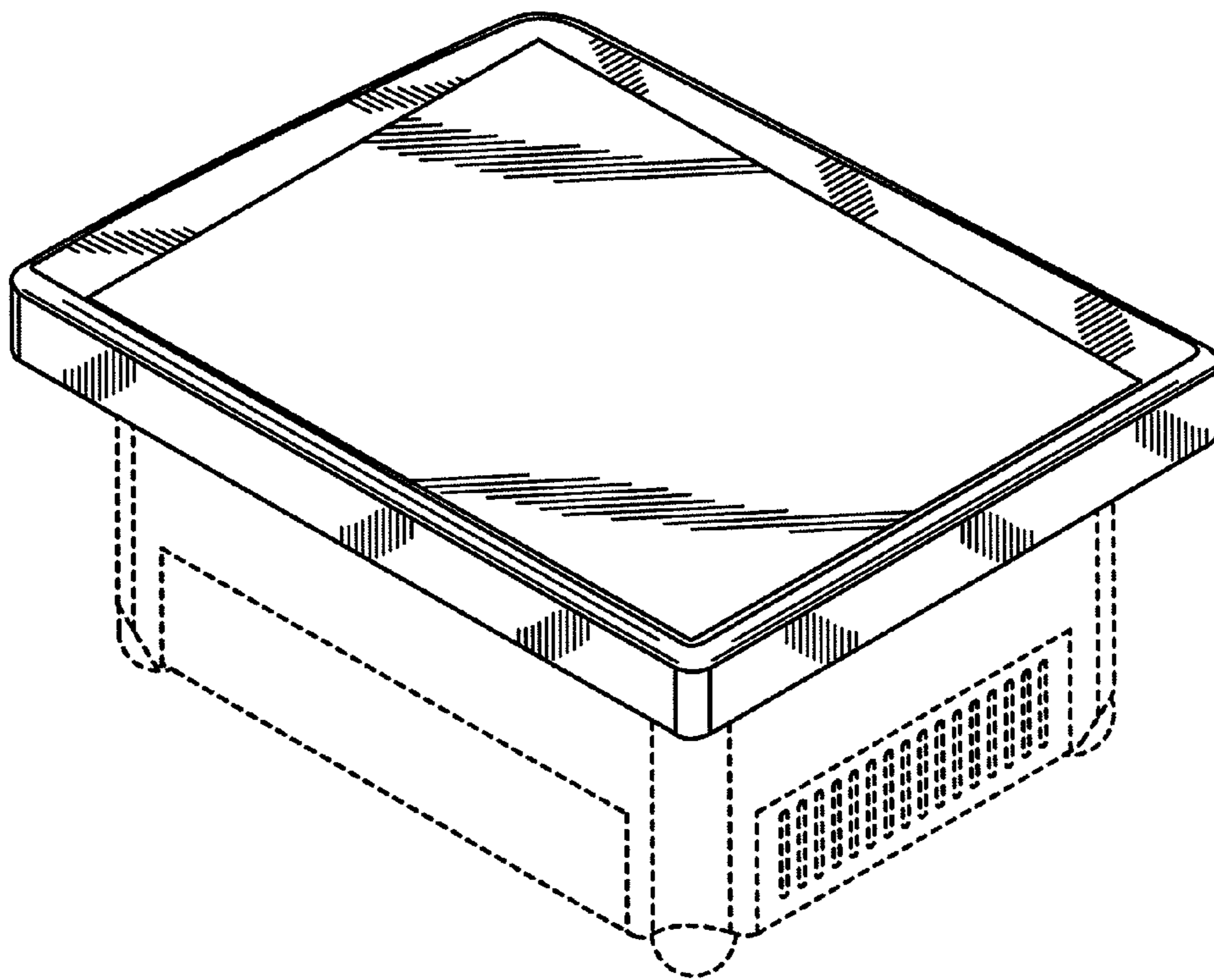


FIG. 7



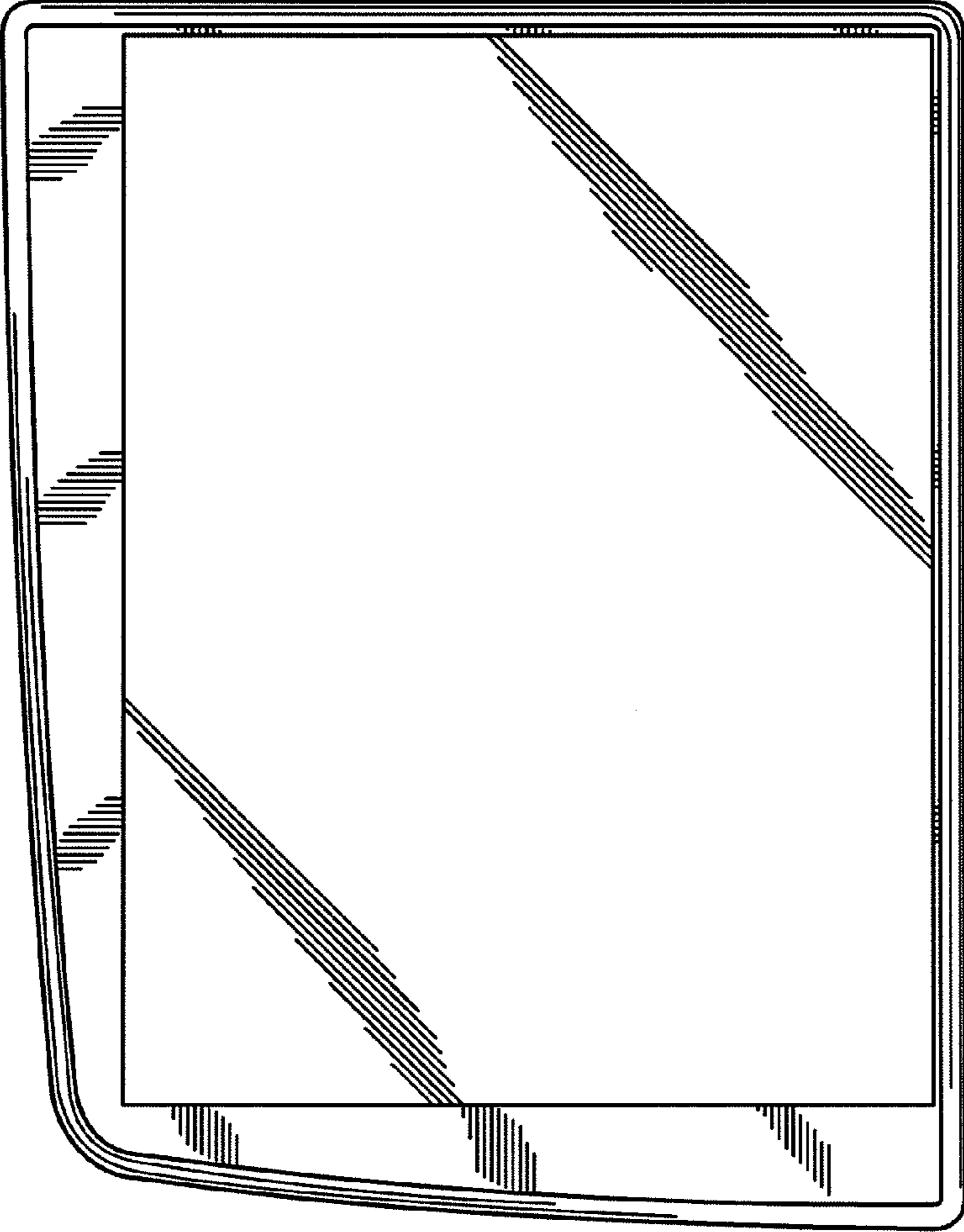


FIG. 8

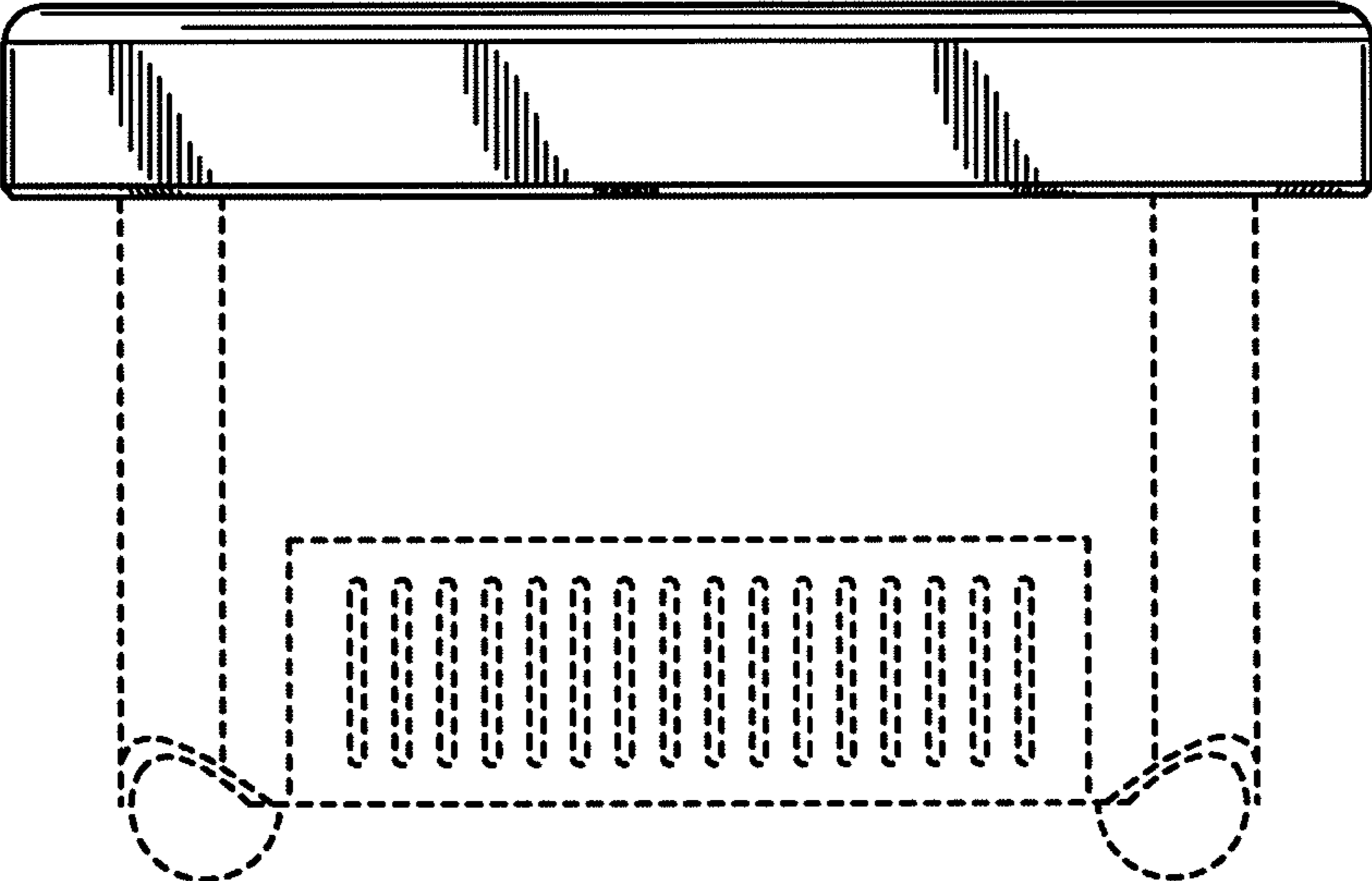


FIG. 9

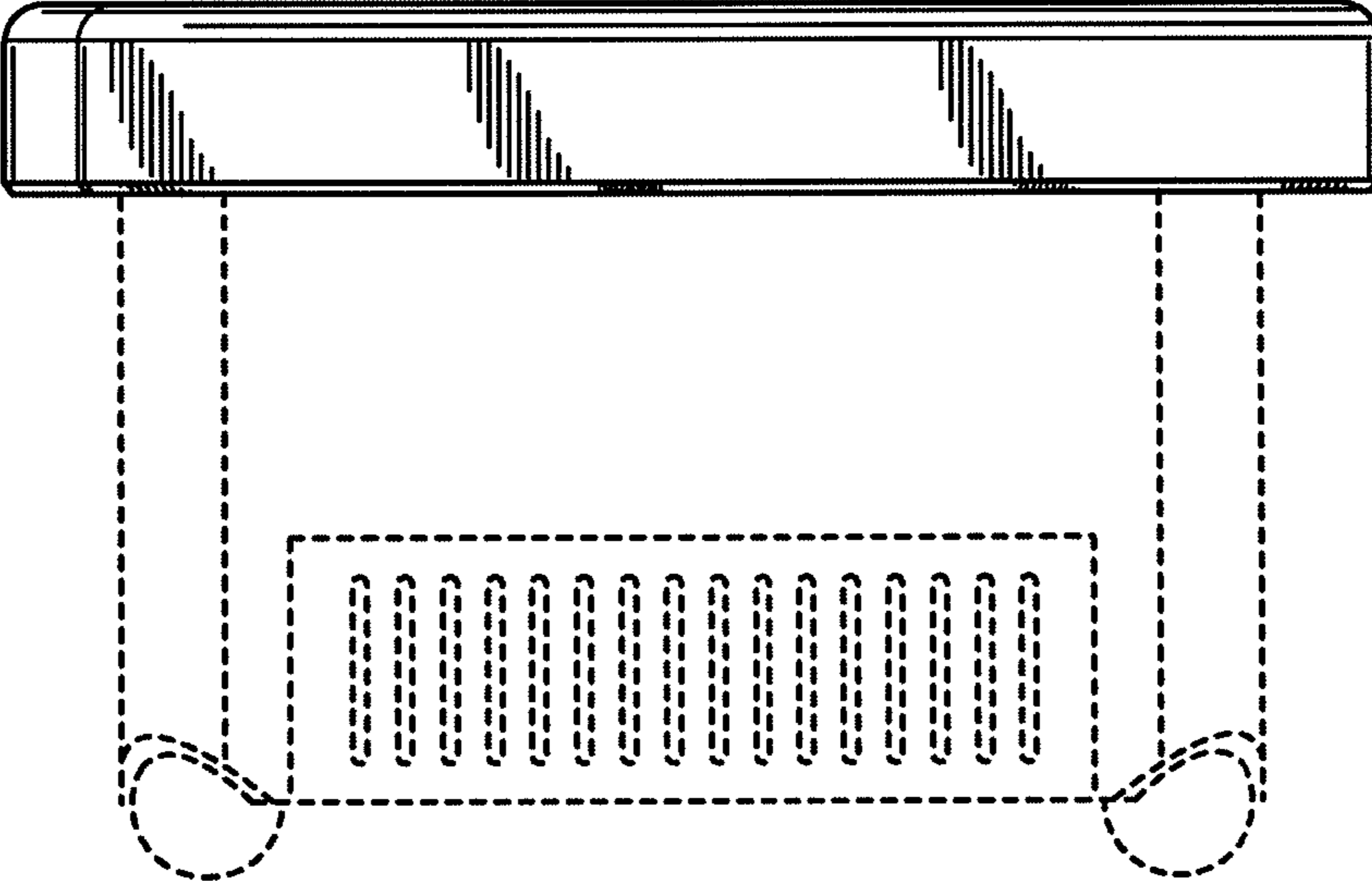


FIG. 10

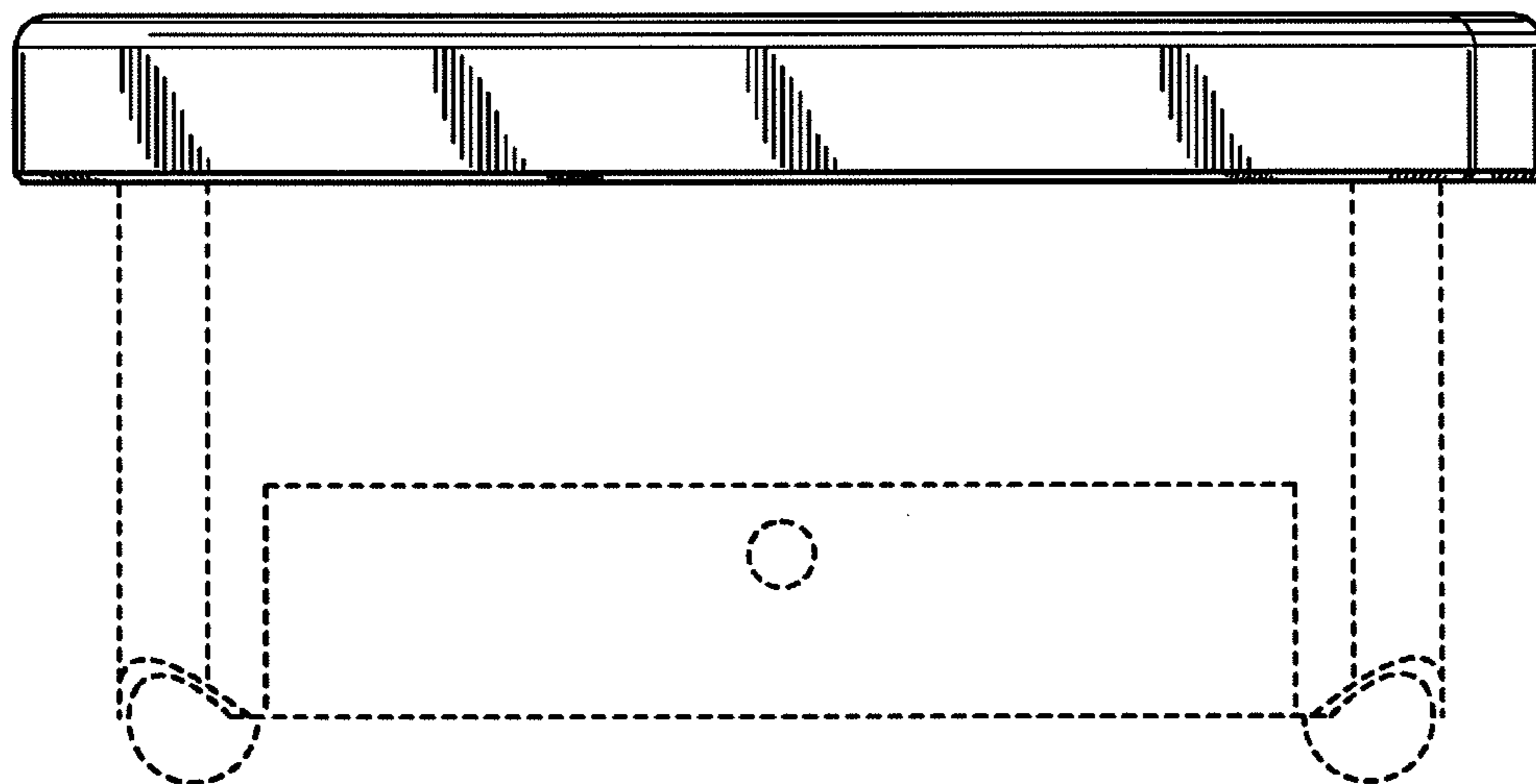


FIG. 11

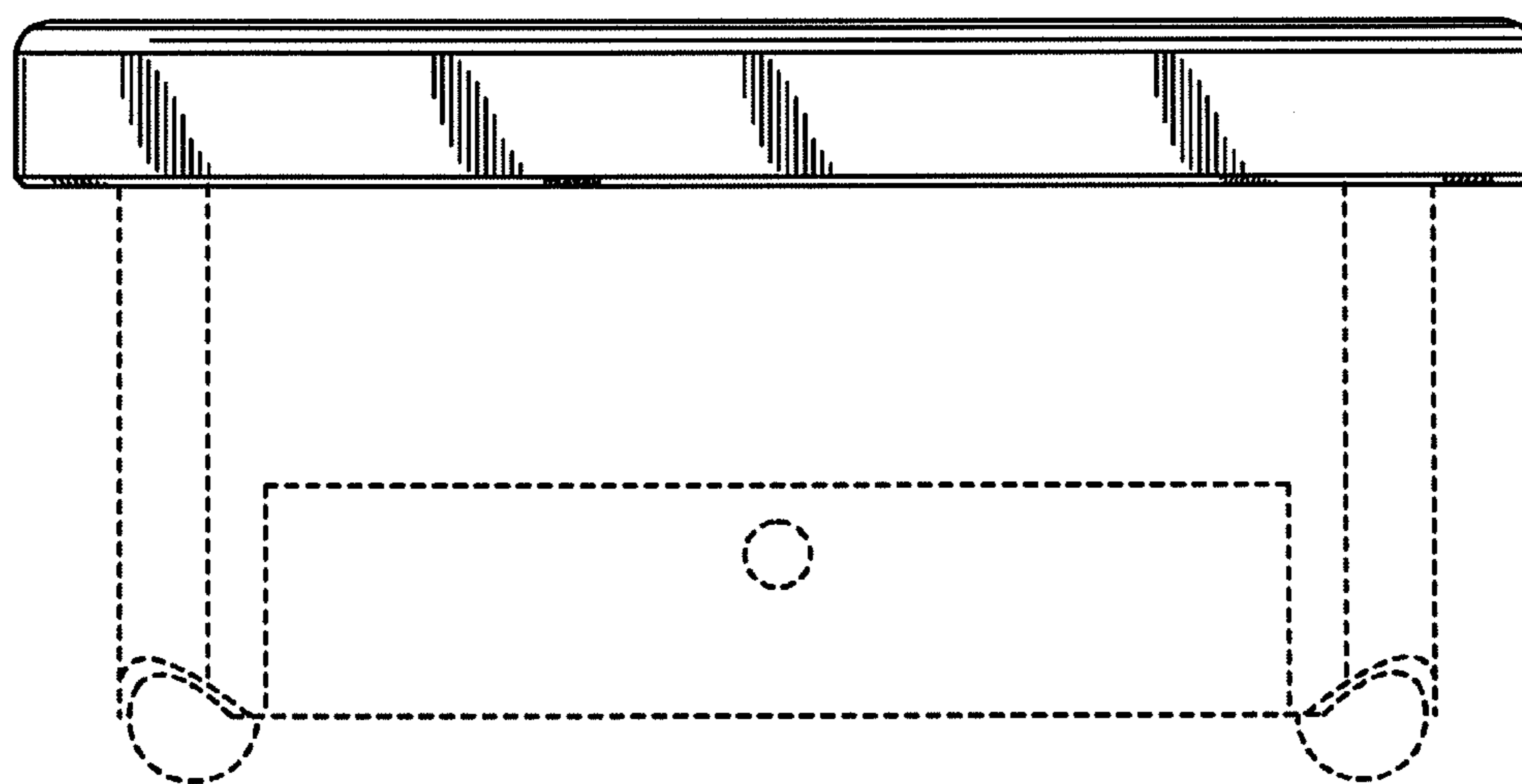


FIG. 12

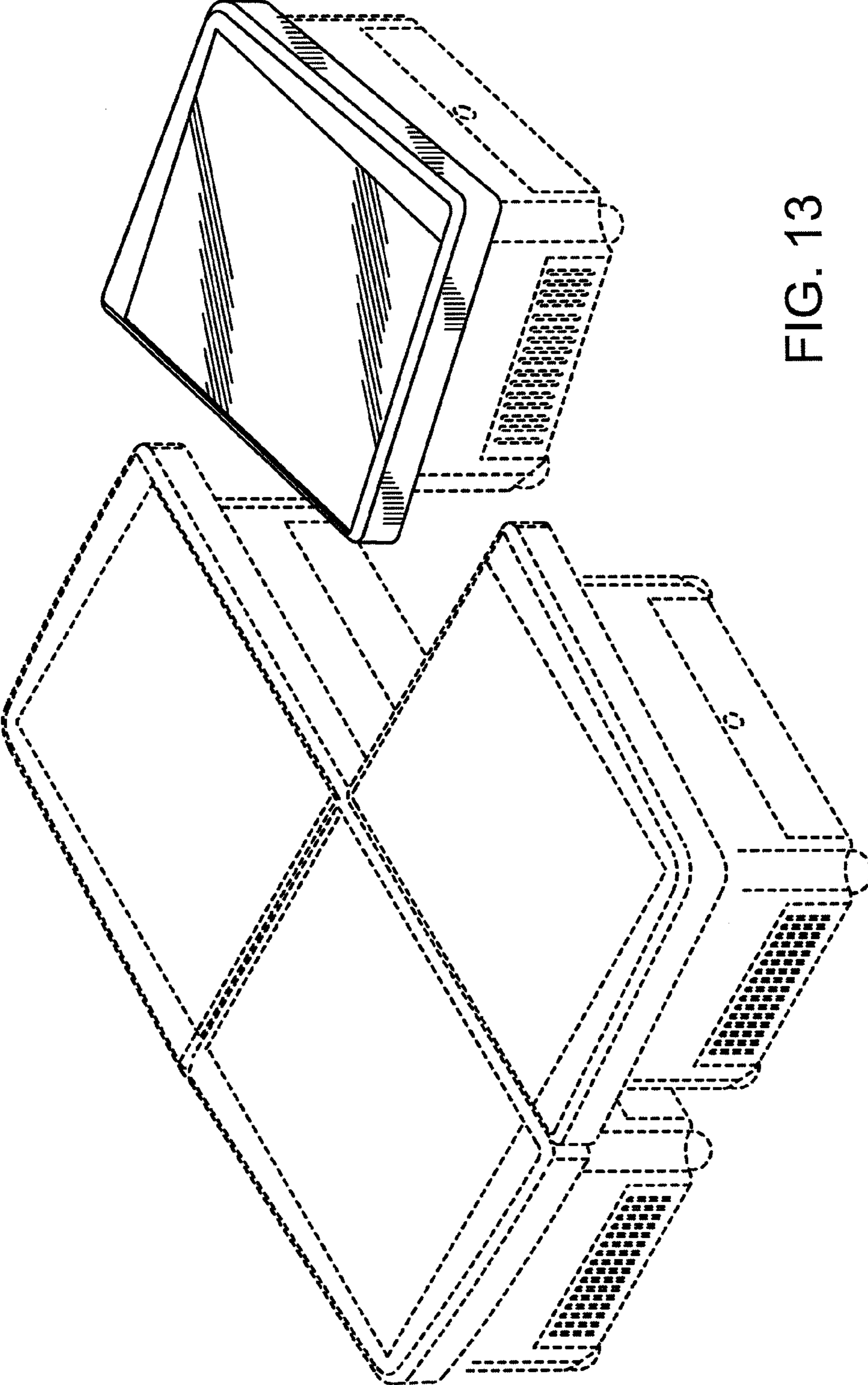


FIG. 13

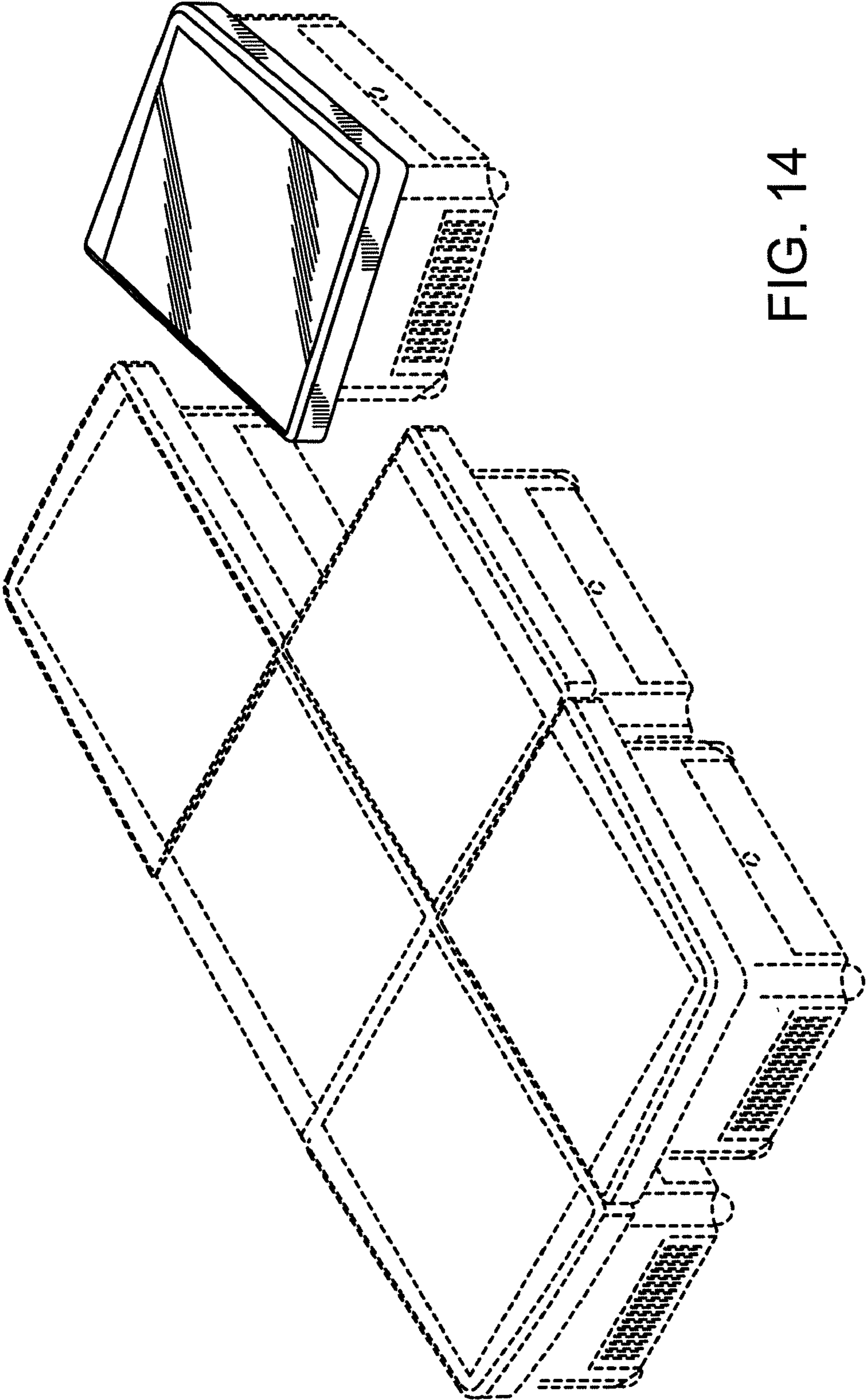


FIG. 14



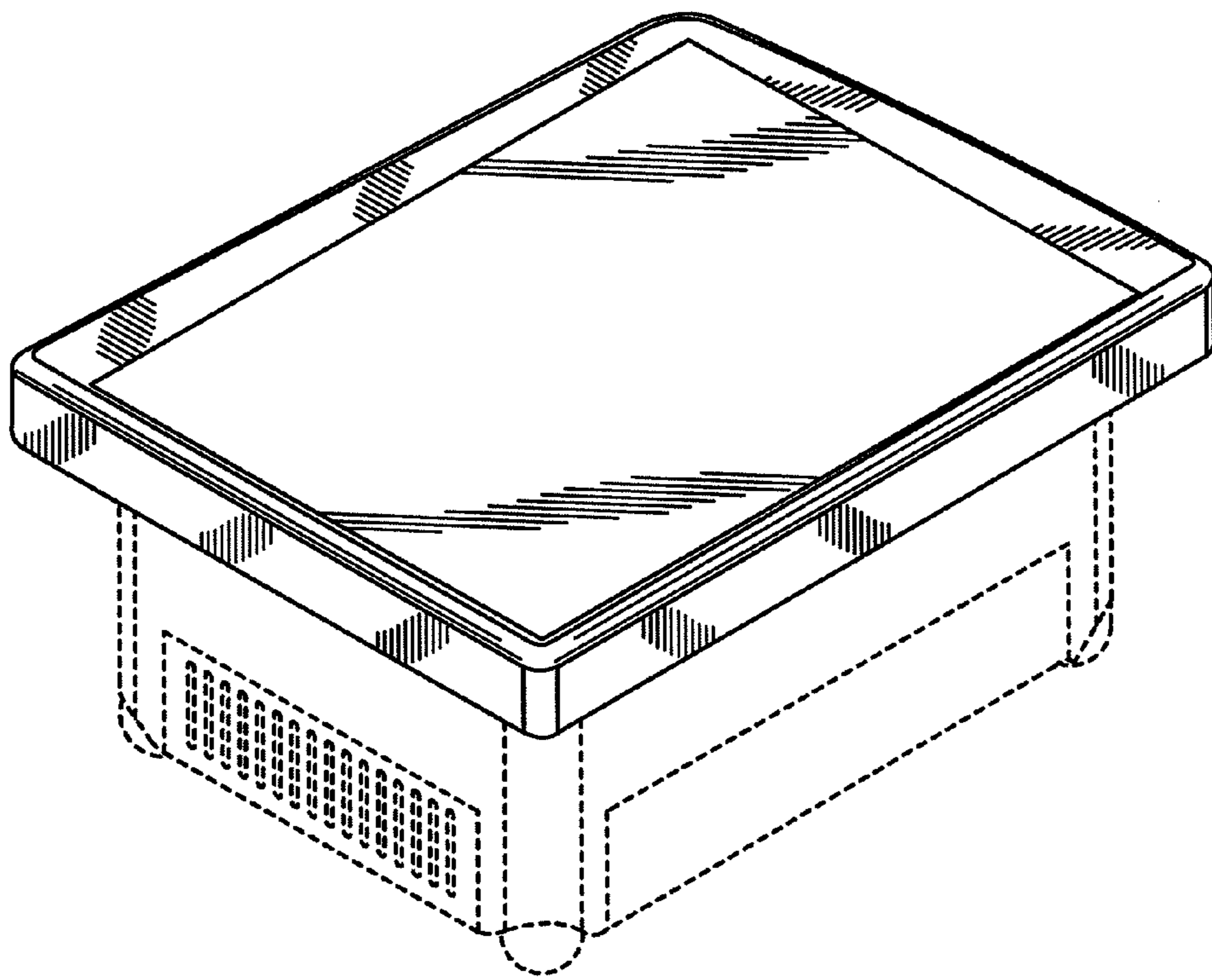


FIG. 15

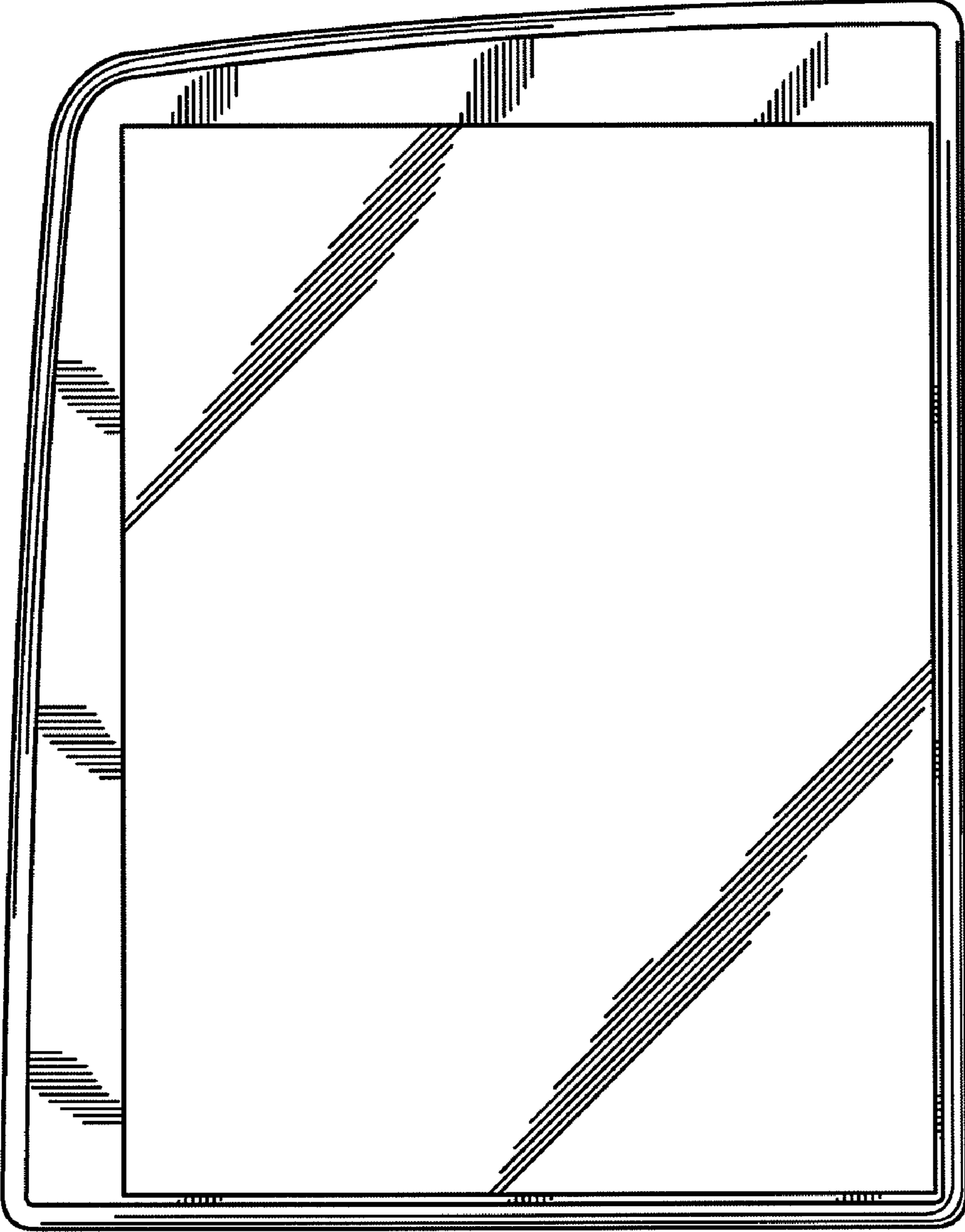


FIG. 16

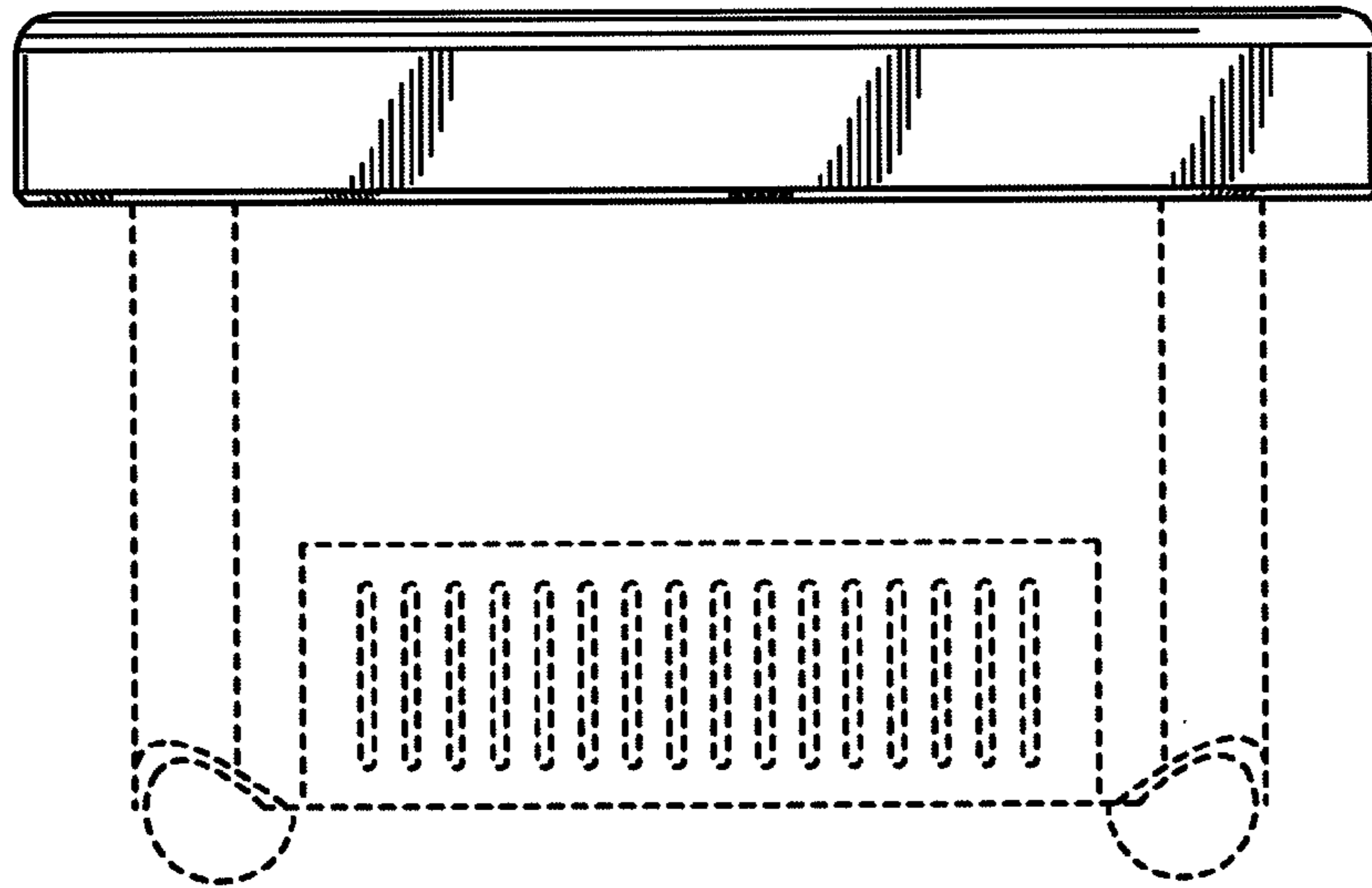


FIG. 17

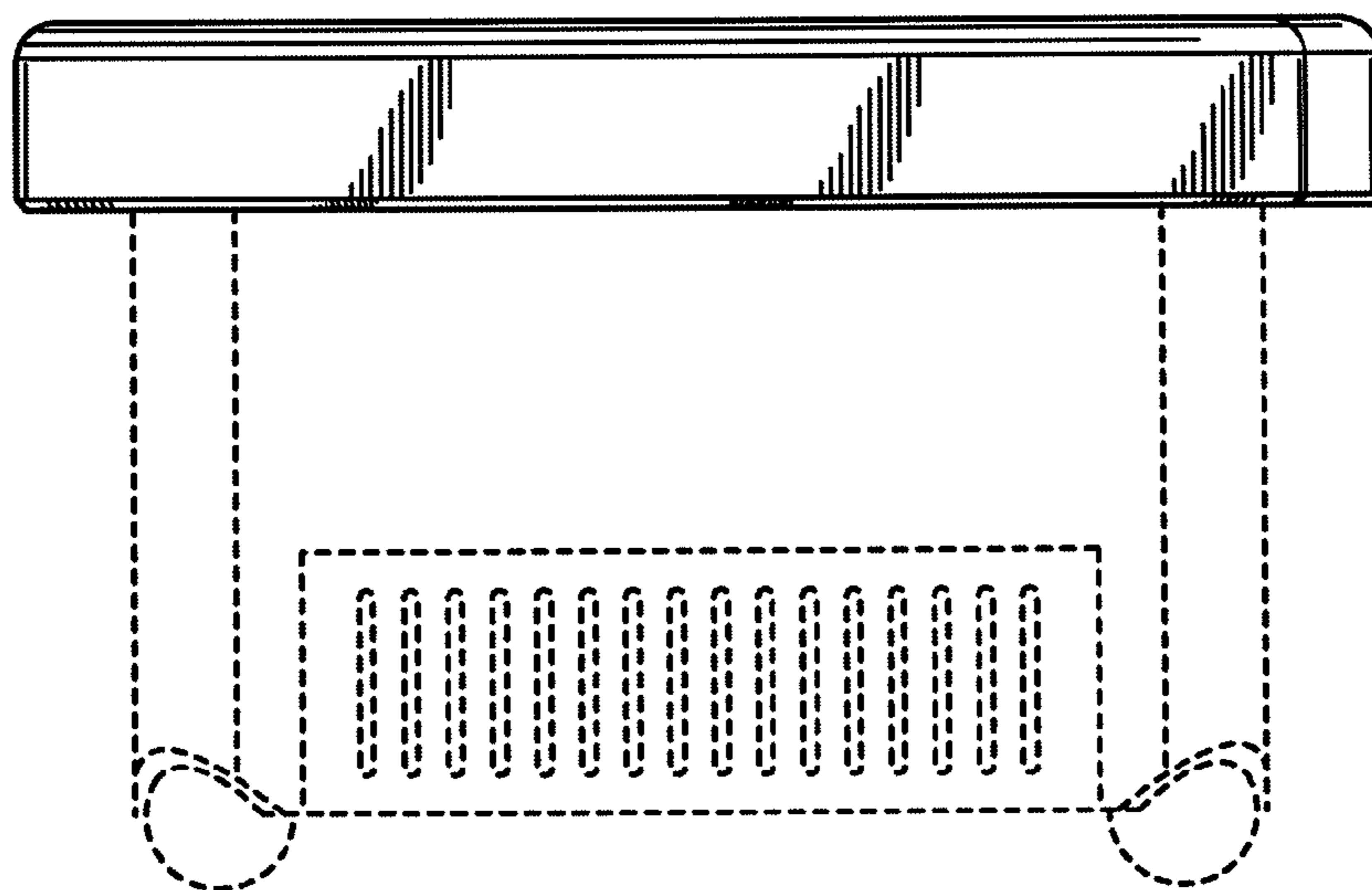


FIG. 18

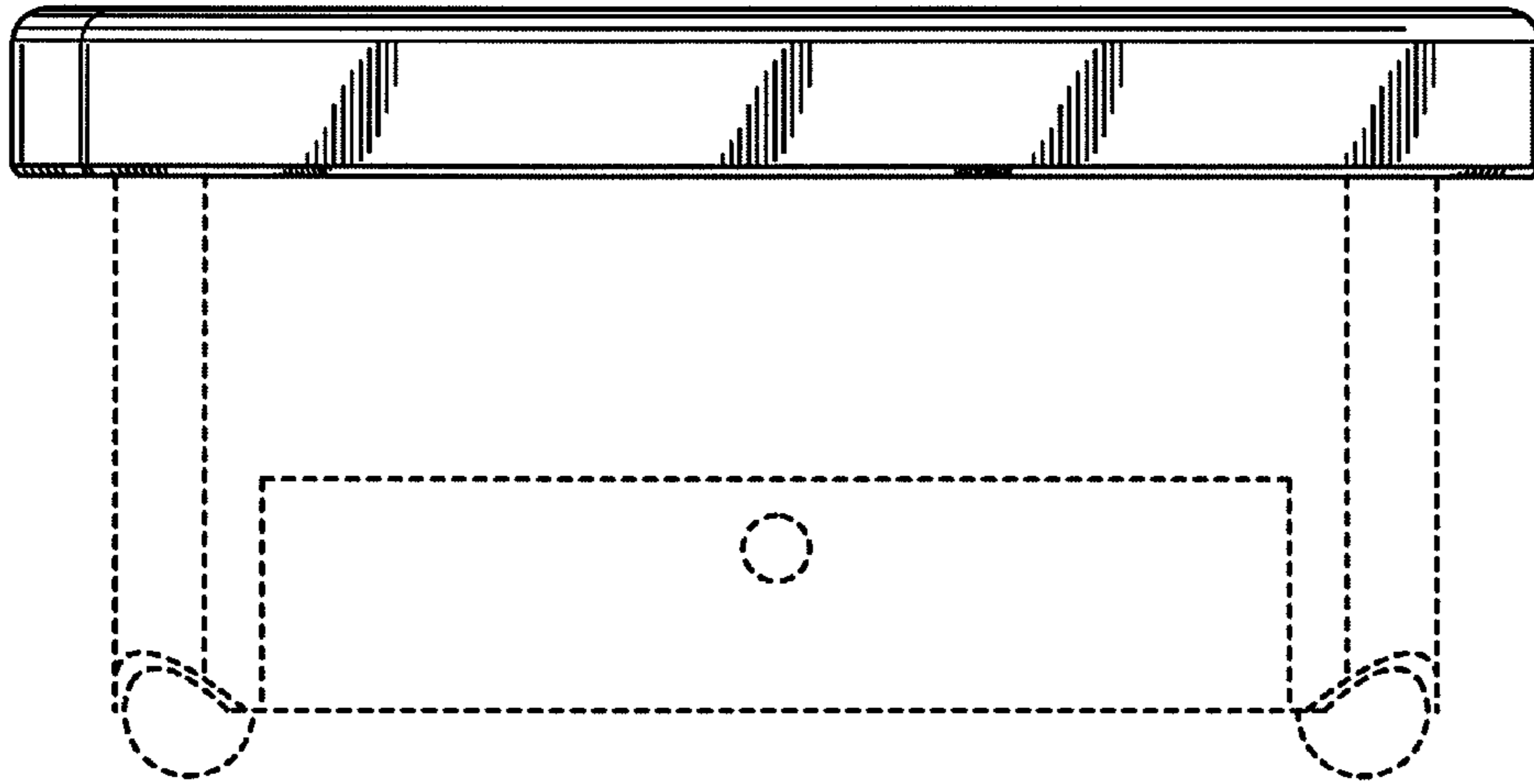


FIG. 19

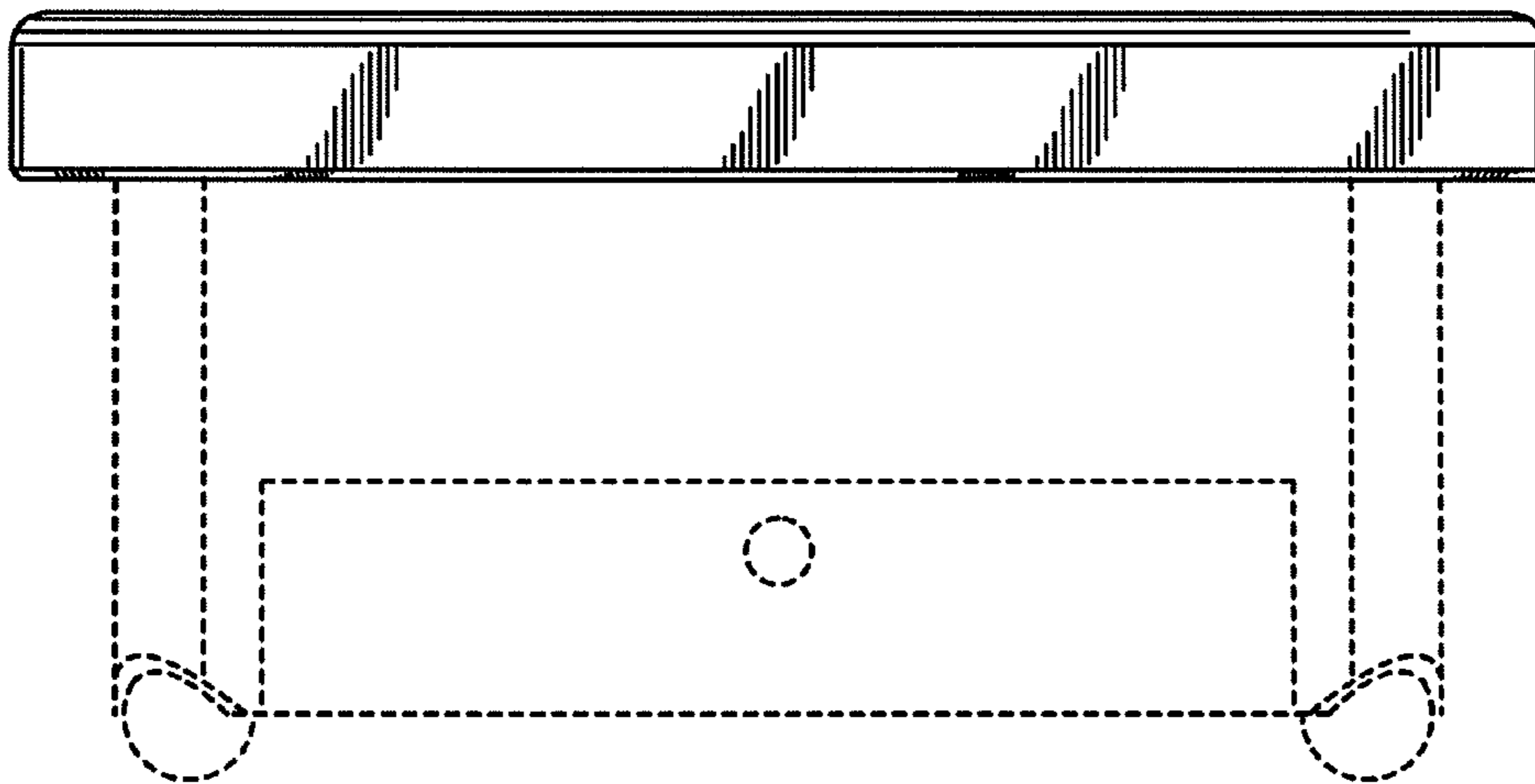


FIG. 20

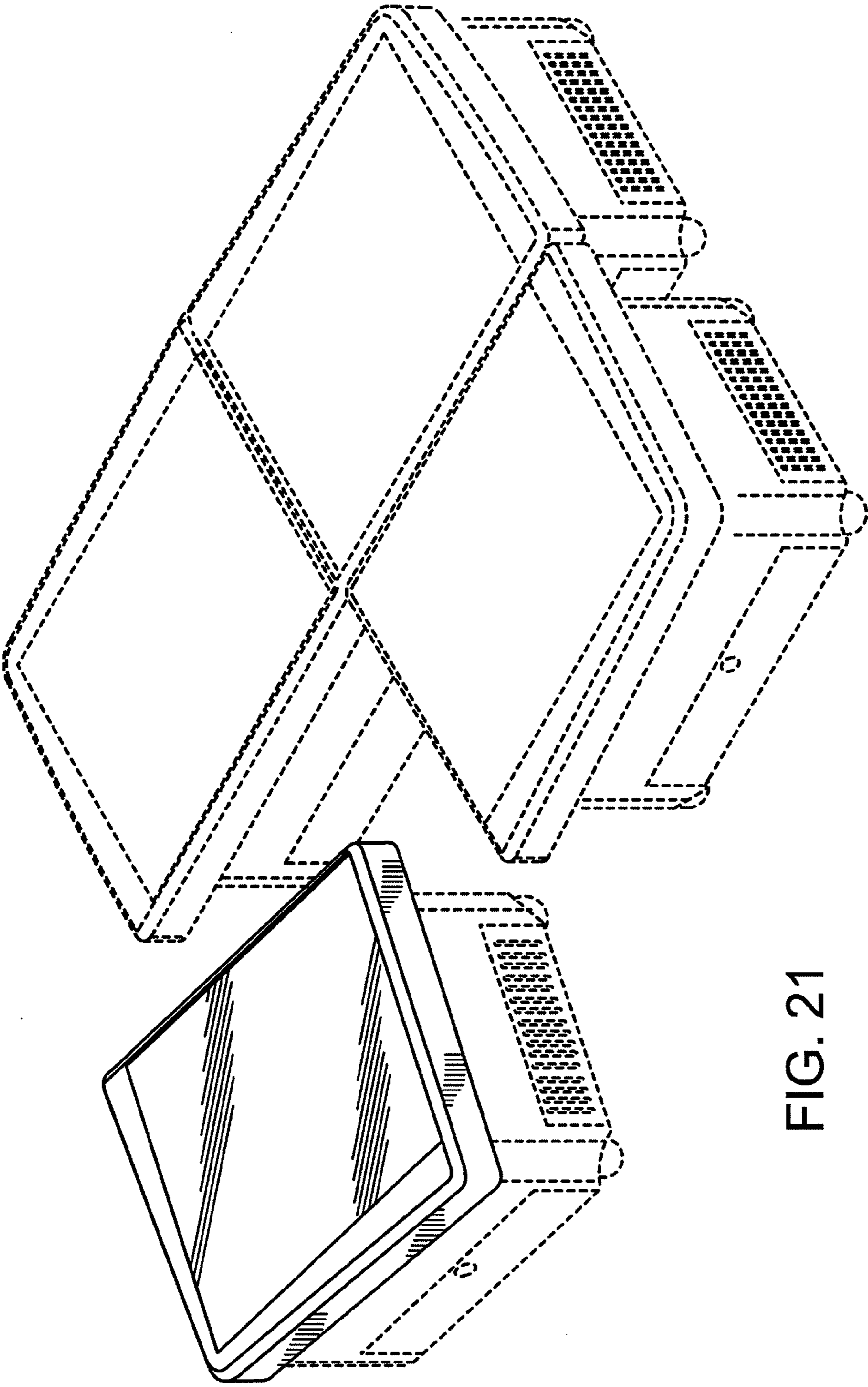


FIG. 21



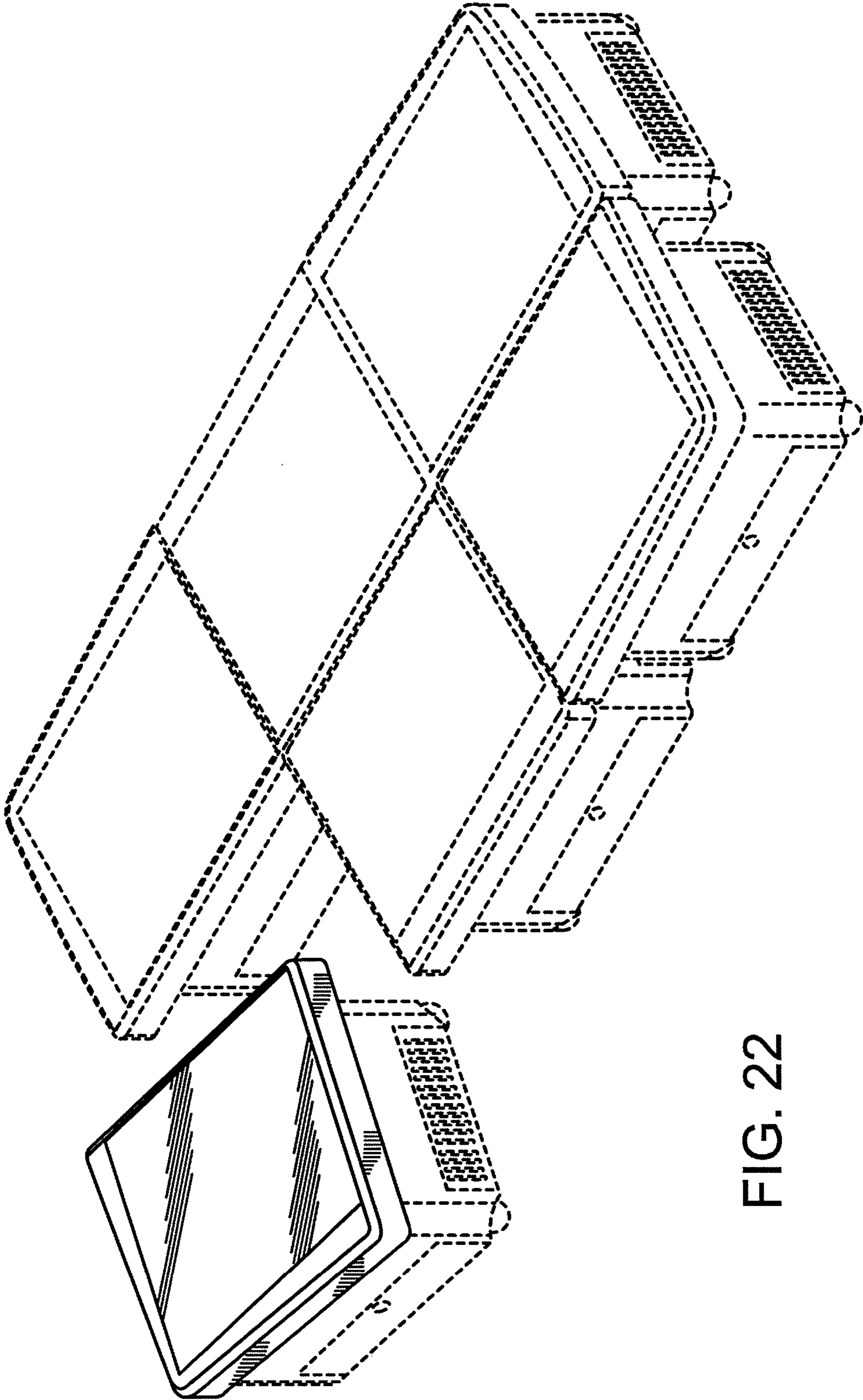


FIG. 22

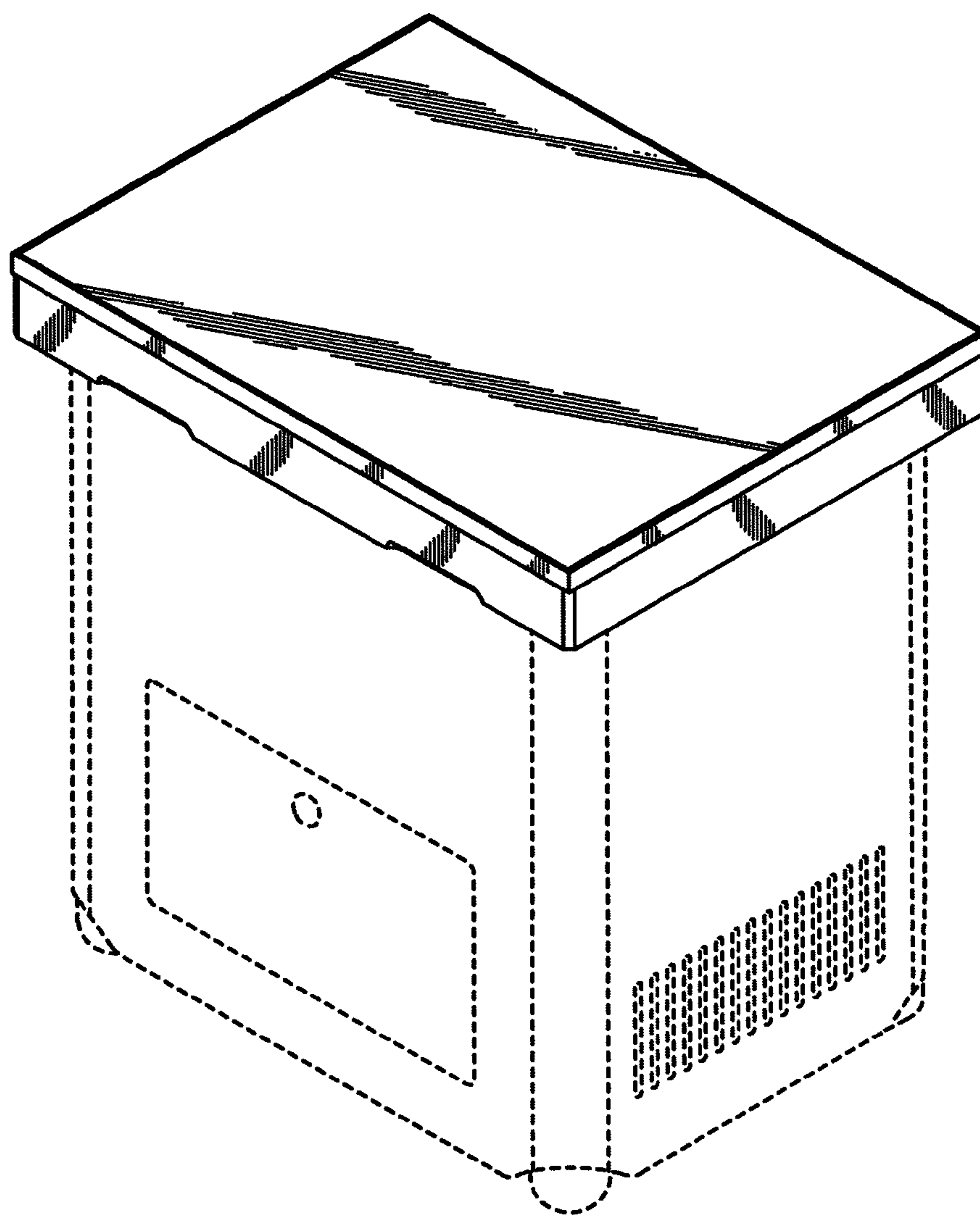


FIG. 23

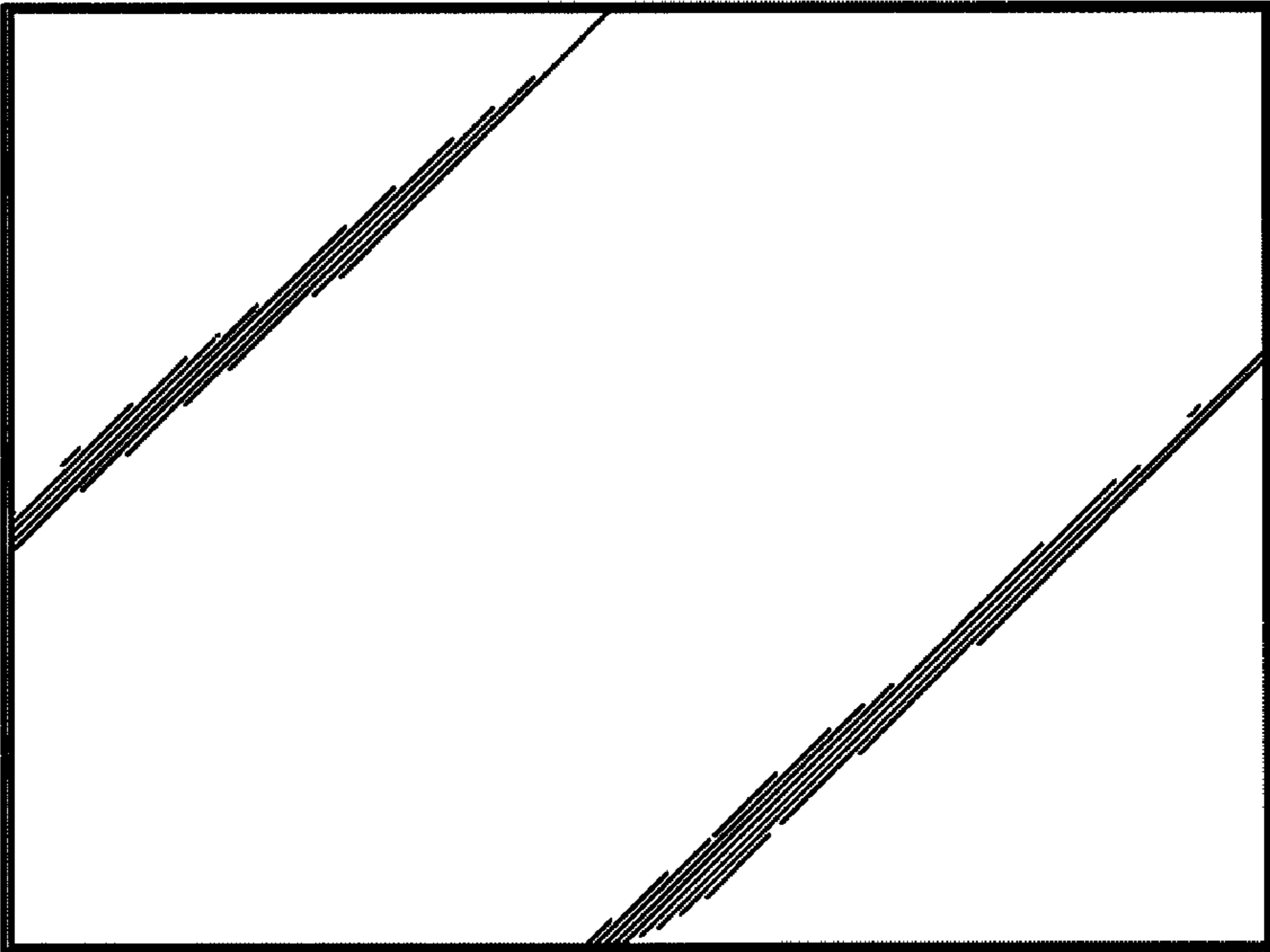


FIG. 24

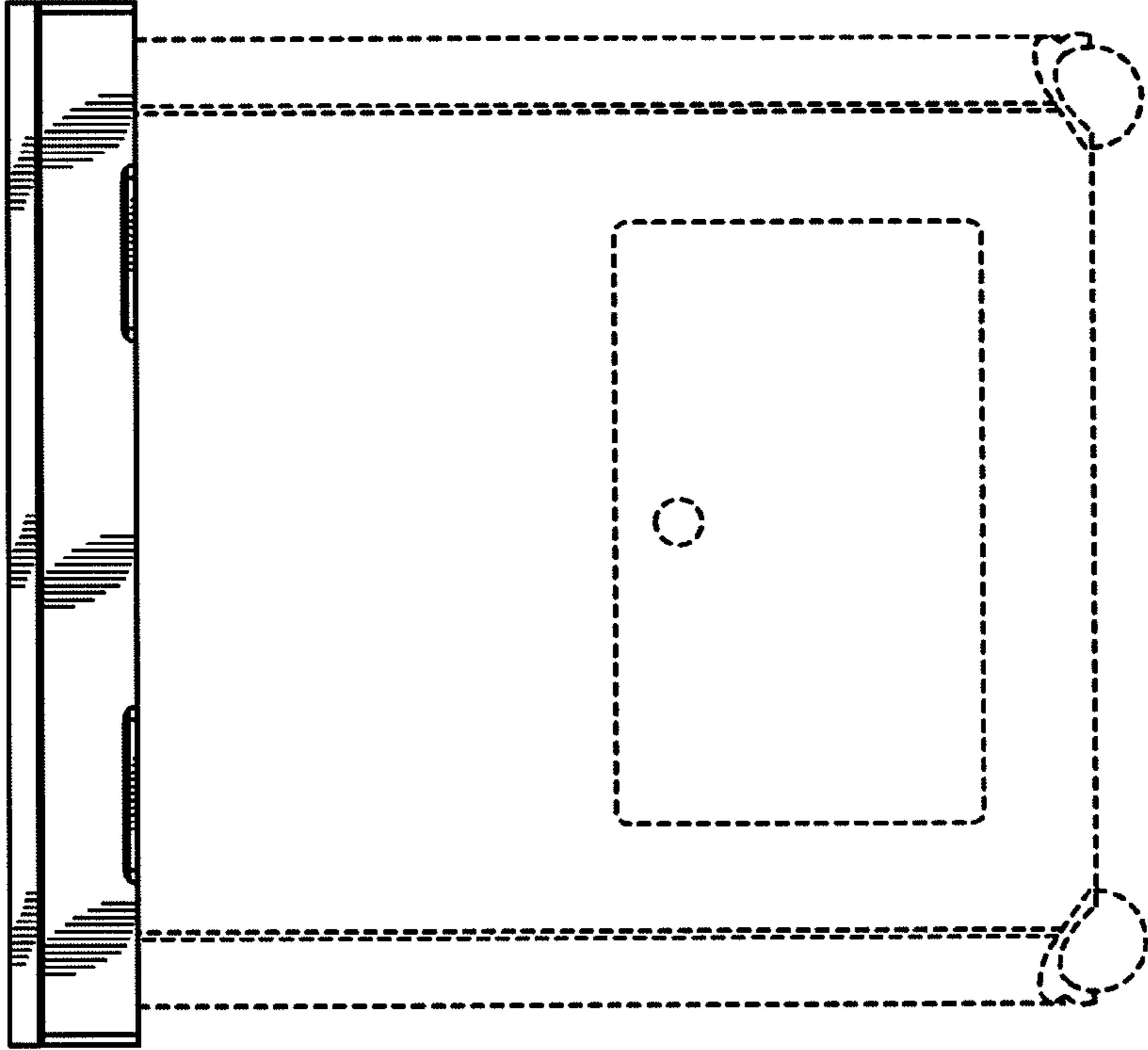


FIG. 25

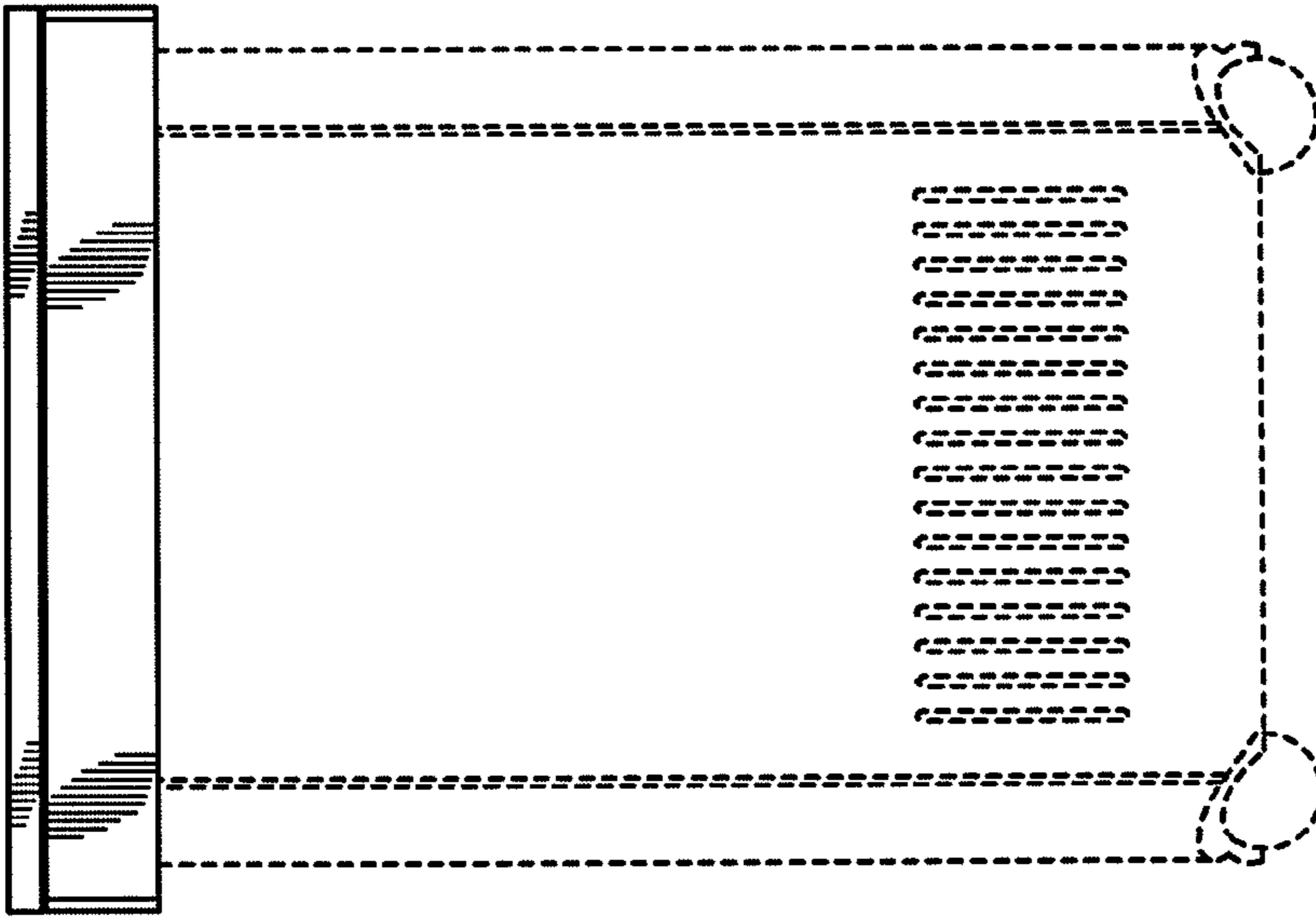


FIG. 26

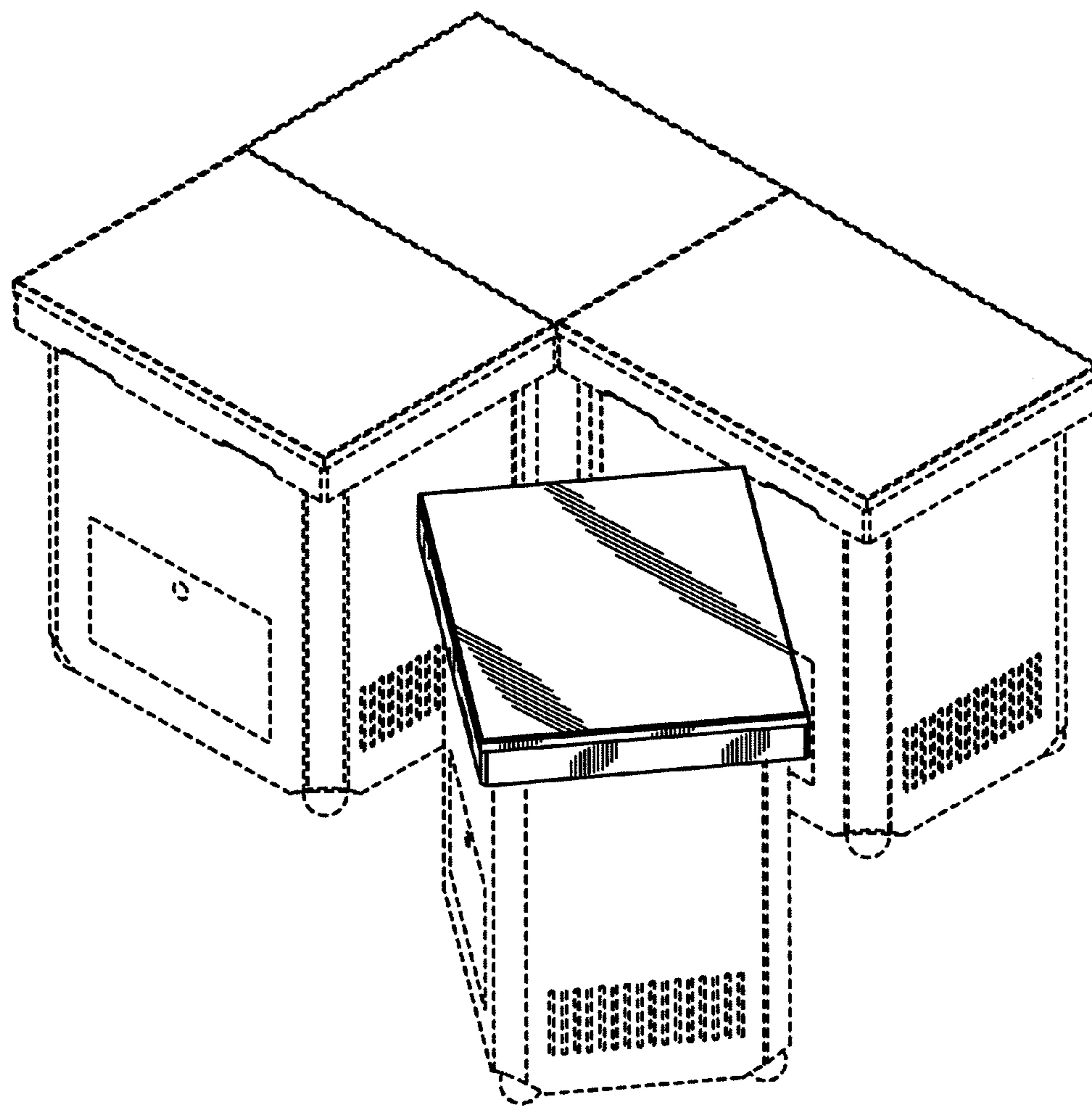


FIG. 27



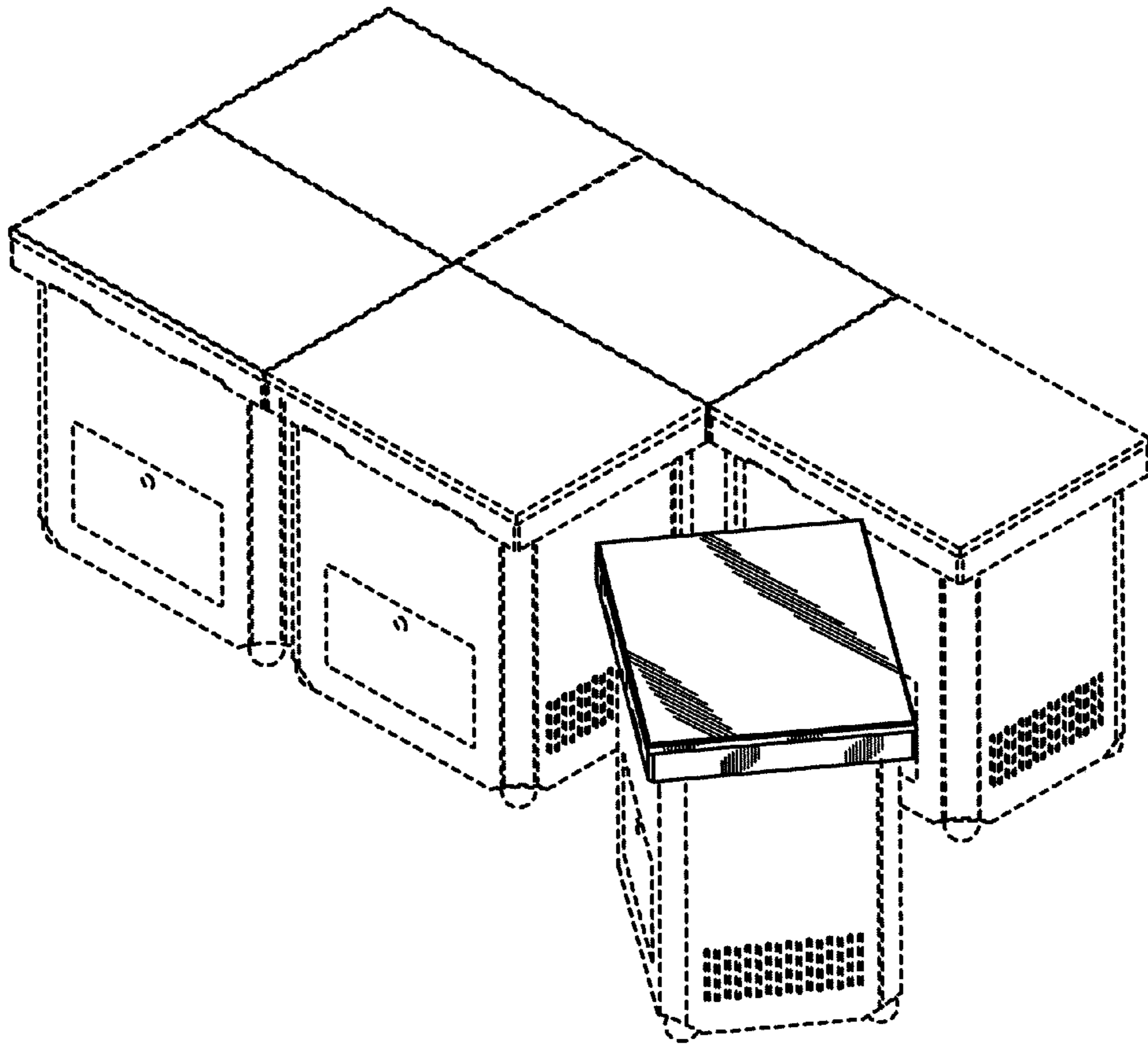


FIG. 28